



OWNER'S MANUAL

812 Intruder 2 / 300 Express Gen2 PARTS

**NOTE: MANUAL including SPECIFICATIONS subject to change without notice.
All ratings specified are based on structural factors only, not vehicle capacities or capabilities.**

Miller Industries Towing Equipment Inc.
8503 Hilltop Drive • Ooltewah, Tennessee 37363
Phone (423) 238-4171 • FAX (423) 238-5371

PART NUMBER 05002363
Nov 2019
PRICE \$25.00

LIMITED WARRANTY

MILLER INDUSTRIES TOWING EQUIPMENT INC., hereinafter referred to as MILLER, warrants to the original purchaser that each new MILLER wrecker or other MILLER products will be free from defects in material and workmanship for a period of twelve (12) months from date placed in service, but in no event shall such warranty period exceed twenty-four (24) months from date of manufacture by MILLER. The purchaser must promptly notify MILLER in writing of any failure in material or workmanship. In no event shall MILLER accept such notification later than twenty-four (24) months from date of delivery or twelve (12) months from date placed in service, whichever is earlier.

MILLER's obligation under this warranty, statutory or otherwise, is limited to the repair or replacement at the MILLER factory, or at a point designated by MILLER, of such part or parts as shall appear upon inspection by MILLER to be defective in material or workmanship. New or remanufactured parts will be used for any replacement at MILLER's option. This warranty is not transferable. This warranty does not obligate MILLER to bear the cost of labor or transportation charges in connection with the repair or replacement of any parts found to be defective, nor shall it apply to a product upon which repairs or alterations have been made unless authorized by MILLER.

EXCEPT AS EXPRESSLY SET FORTH IN THIS WARRANTY, MILLER MAKES NO OTHER WARRANTY, EXPRESS OR IMPLIED, AND HEREBY DISCLAIMS ALL OTHER WARRANTIES INCLUDING, BUT NOT LIMITED TO, THE IMPLIED WARRANTIES OF MERCHANTABILITY AND FITNESS FOR A PARTICULAR PURPOSE. MILLER shall in no event be liable for claimed downtime, claimed loss of profits or goodwill, or any other special, incidental, indirect, or consequential damages concerning or relating to any product or parts, whether based on negligence, strict liability, breach of contract, breach of warranty, misrepresentation or any other legal theory, regardless of whether the loss resulted from any general or particular requirement which MILLER knew or had reason to know about at the time of sale.

MILLER MAKES NO WARRANTY, EXPRESS OR IMPLIED, AS TO THE FINISHED PRODUCTS MANUFACTURED OR SUPPLIED BY ANOTHER MANUFACTURER AND SUPPLIED BY MILLER TO PURCHASER, including, but not limited to, any vehicle to which a MILLER product may be affixed or any accessories or wire rope, and MILLER EXPRESSLY DISCLAIMS ANY IMPLIED WARRANTIES OF MERCHANTABILITY OR FITNESS FOR A PARTICULAR PURPOSE AS TO SUCH EQUIPMENT OR PRODUCTS. This language shall in no way affect or diminish the rights of the purchaser to rely on such warranties as are extended by such manufacturers or suppliers. MILLER shall, to the extent permitted under applicable law, pass on to the purchaser such manufacturer's or seller's warranty.

MILLER, whose policy is one of continuous improvement, reserves the right to improve its products through changes in design or materials as it may deem desirable without being obligated to incorporate such changes in products previously sold. This warranty is not intended to cover or include the following items, which are set forth by way of example and not limitation:

- A. Normal deterioration of trim, paint, lettering, and appearance items due to wear or exposure to weather, road conditions, road treatments, etc.
- B. Any damage or defect due to accident, misuse, abuse, improper or unauthorized repairs, failure to provide reasonable and necessary maintenance, or uses for which the equipment was not designed or intended.
- C. Alterations or modifications that affect performance, operation or reliability.
- D. Normal maintenance parts including, but not limited to, wear pads, bushings, wire rope, mud flaps, fenderettes, light bulbs, hydraulic oil, filters, and tow sling belts.

IT IS EXPRESSLY UNDERSTOOD THAT MILLER MAKES NO IMPLIED WARRANTY THAT MILLER PRODUCTS SHALL BE FIT FOR THE PURPOSE OF LIFTING OR MOVING PEOPLE OR FOR ANY OTHER IMPROPER USE.



Miller Industries Towing Equipment Inc.
8503 Hilltop Drive
Ooltewah, Tennessee 37363
Telephone (423) 238-4171

SERIAL NUMBER

OWNER, USER AND OPERATOR:

We appreciate your choice of our towing and recovery unit for your application. Our number one priority is user safety which is best achieved by our joint efforts. We feel that you can make a major contribution to safety if you, as the equipment owner and operator:

- 1. Comply with Federal, State, and Local Regulations.**
- 2. Read, Understand, and Follow the Instructions in this Manual.**
- 3. Use Good, Safe Work Practices in a Common Sense Way.**
- 4. Only have Authorized and Trained Personnel running and performing maintenance on the Towing and Recovery Unit.**

Use of other than Factory or Factory Authorized parts will render the Warranty void.

TABLE OF CONTENTS

It is assumed by the manufacturer that the Owner/Operator has a thorough knowledge of the accepted and lawful retrieval and towing methods as dictated by his city, county or state. The manufacturer rejects any liability claim that may result from the incorrect or unlawful application of its equipment.

Section I - PARTS

WRECKER ASSEMBLY I-2 & I-3

BASIC UNIT ASSEMBLY I-4 thru I-7

MAIN BOOM ASSEMBLY I-8 & I-9

BOOM SWIVEL ASSEMBLY I-10 & I-11

WHEEL LIFT ASSEMBLY I-12 thru I-15

INNER STINGER ASSEMBLY I-16 & I-17

CROSSBAR ASSEMBLY I-18 & I-19

HYDRAULIC TANK ASSEMBLY I-20 & I-21

HYDRAULIC VALVE ASSEMBLY I-22 & I-23

TANK & VALVE HYDRAULICS I-24 & I-25

MAIN BOOM HYDRAULICS I-26 & I-27

WHEEL LIFT HYDRAULICS I-28 & I-29

BODY ASSEMBLIES - CARBON STEEL MODULAR I-30 thru I-35

Section I - PARTS

REF. 05002363

This Section is provided by the manufacturer for the purpose of ordering any component part of the **Vulcan 812 Intruder 2** OR **Century 300 Express Gen2** that may be required when part replacement is necessary. Be certain to use only original equipment replacement parts for warranty purposes as well as for keeping your unit in its original state and optimum operating capacities.

When ordering replacement or spare parts be sure to provide the following information to the manufacturer's **Parts Department**.

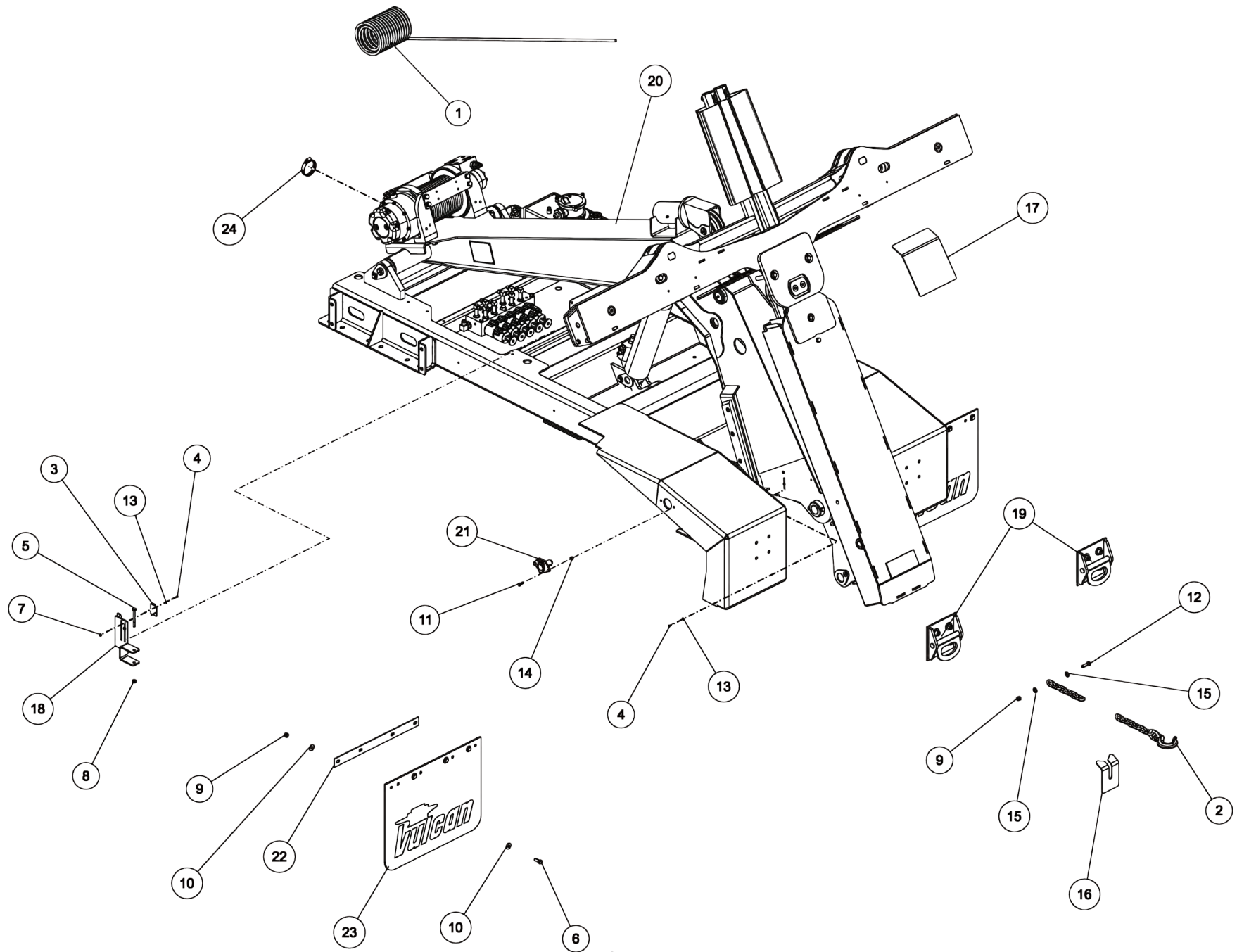
1. **Manual Number & Date of Publication**
2. **Manual Page Number**
3. **Page Title**
4. **Reference Number of Part Desired**
5. **Part Number**
6. **Part Description**
7. **Quantity of Part Desired**
8. **Unit Serial Number**

Providing this information will help ensure that the correct parts will be delivered to you in an expedient manner without delay. Should additional information be required for repair or replacement of certain components, contact your Wrecker Manufacturer Authorized Representative.

The Manufacturer reserves the right, without notice or obligation, to improve or modify their products, which may change the specifications, models and feature availability.

Section I - PARTS

WRECKER ASSEMBLY



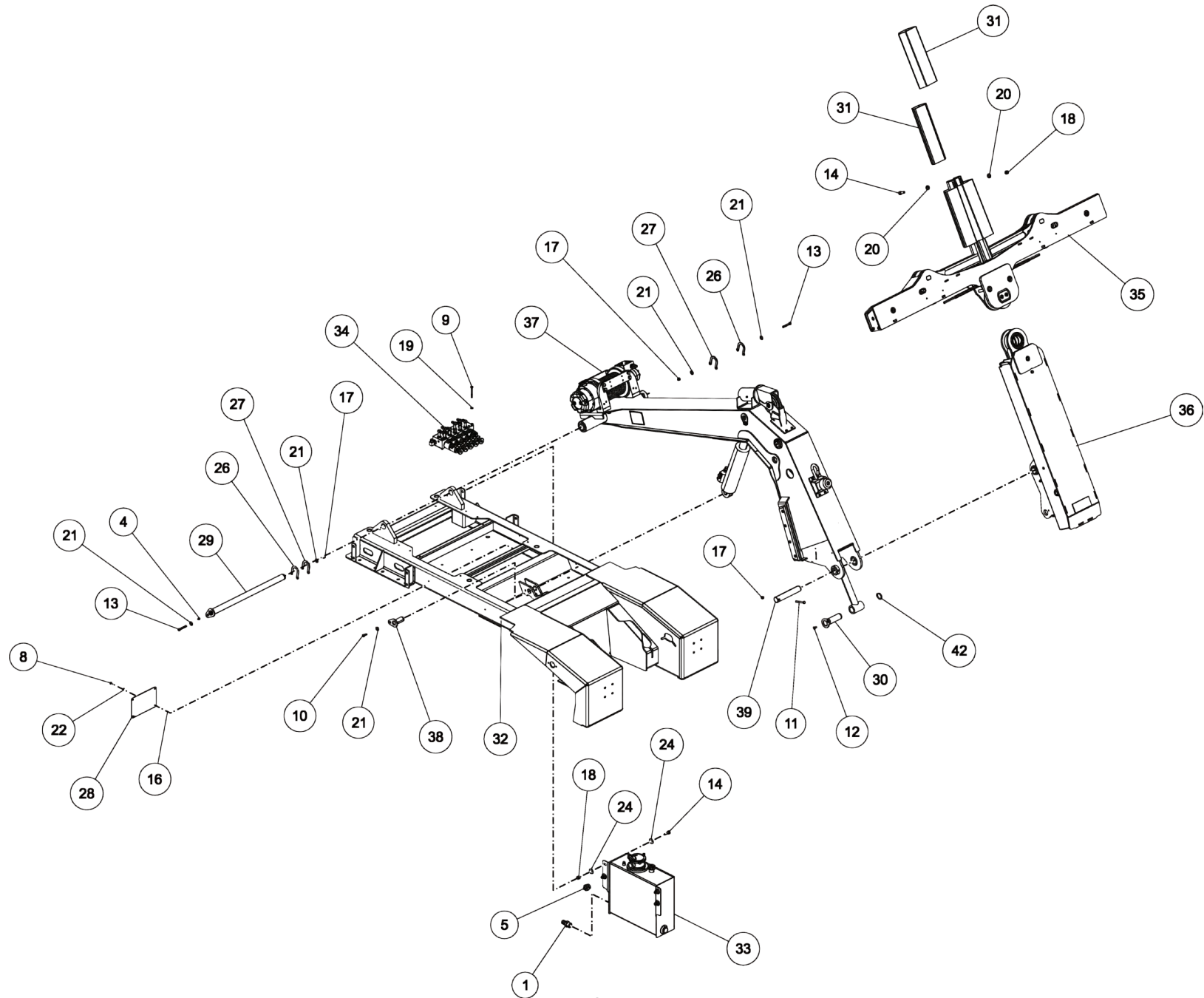
Section I - PARTS

WRECKER ASSEMBLY

ITEM	PART NUMBER	DESCRIPTION	QTY
-	120812100	812 MOD SGL WINCH GEN3	-
1	0303051	WIRE ROPE 3/8x6x19 IPS 100'-5"	1
2	0307383	CHAIN ASSY 5/16 G7 X 12'	2
3	0311541	SENSOR, SOLID STATE 812 REMOTE	1
4	0400017	SCREW, 8-32X1 PRH	5
5	0400114	SCREW, 5/16-18X3 HHC GR5	1
6	0400126	SCREW, 3/8-16X1 HHC GR5	8
7	0400351	NUT, 8-32 HEX	2
8	0400382	NUT, 5/16-18 LOK	1
9	0400392	NUT, 3/8-16 LOK	10
10	0400480	WASHER, 3/8	16
11	0402020	SCREW, 1/4-20X3/4 HHC SS	2
12	0402043	SCREW, 3/8-16X1-1/4 HHC SS	2
13	0402080	#8 FLAT WASHER SS	5
14	0402113	NUT, 1/4-20 LOK SS	2
15	0402120	WASHER, 3/8 SS	4
16	0725479	DRESS-UP PLATE - CHAIN POCKET	2
17	0730082	BOOM DRESSUP PLT	1
18	0807641	PROX MTG BRKT WLMT	1
19	0911367	812 D-RING KIT, PAIR BOLT-ON	1
20	0911501	BUA 812 GEN3 PSL	1
21	124001934	4 WAY SOCKET	1
22	804500001	MUD FLAP BACK-UP STRIP	2
23	891000001	MUD FLAP-RUBBER -EACH (VULCAN)	2
-	0302173	MUD FLAP (CENTURY) NOT SHOWN	2
24	9018092	HOSE CLAMP HS24 *	1

Section I - PARTS

BASIC UNIT ASSEMBLY



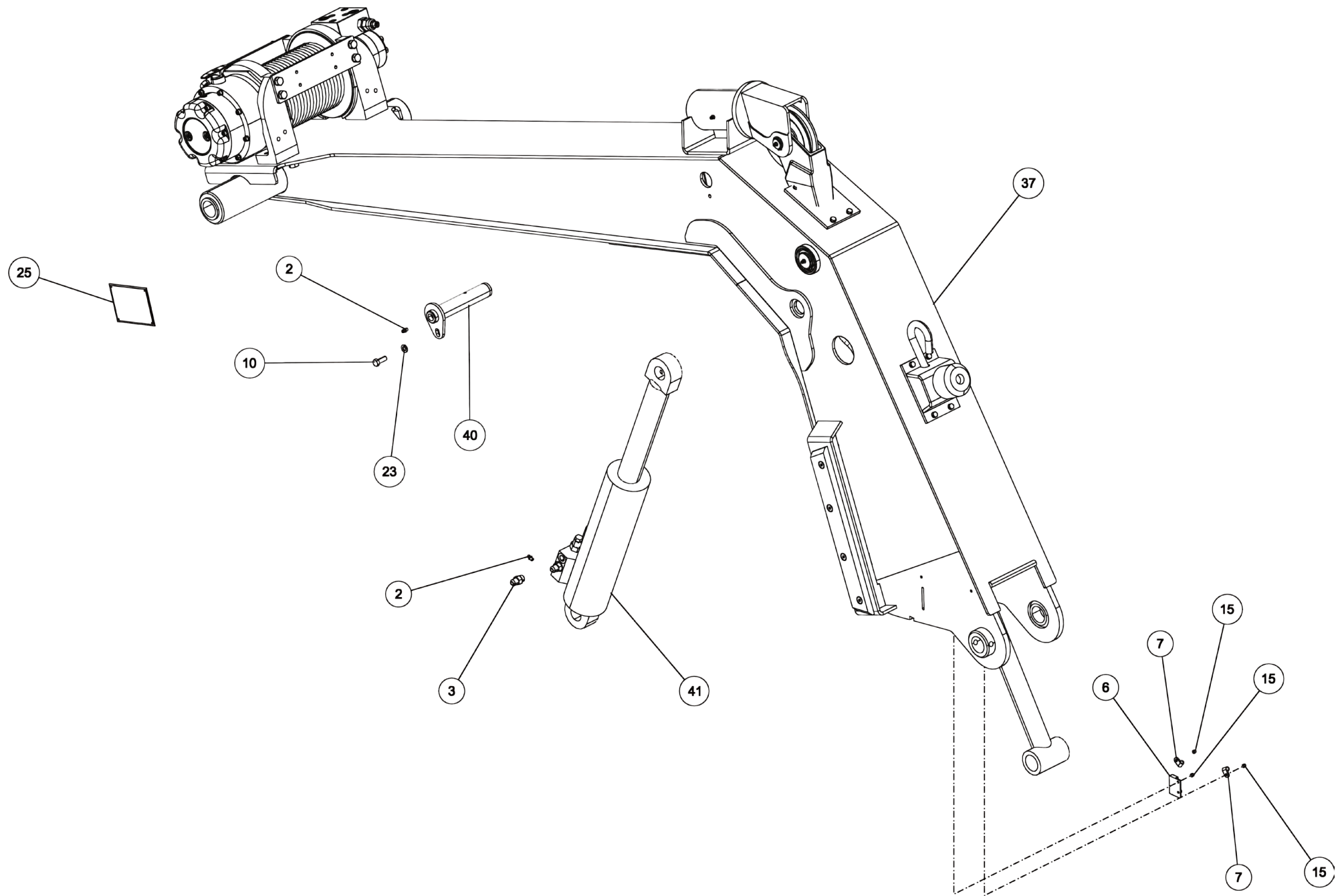
Section I - PARTS

BASIC UNIT ASSEMBLY

ITEM	PART NUMBER	DESCRIPTION	QTY
-	0911501	BUA 812 GEN3 POWERTILT SELF LOADING	-
1	0300056	FITTING, BARB 16C4-16MP	1
2	0300113	GREASE FITTING, 1/4-28 STR	2
3	0301522	ADAPTER, 6MJ-6MB	2
4	0301895	GREASE FITTING, 1/8 STR PTF	2
5	0302757	FITTING, CONN 8MJ - 16MB	1
6	0311541	SENSOR, SOLID STATE 812 REMOTE	1
7	0311866	P-CLAMP, 1/4 BLACK	2
8	0400066	SCREW, 1/4-20X3/4 HHC GR5	2
9	0400114	SCREW, 5/16-18X3 HHC GR5	2
10	0400126	SCREW, 3/8-16X1 HHC GR5	2
11	0400133	SCREW, 3/8-16X3 HHC GR5	1
12	0400142	SCREW, 3/8-16X3/4 SHC	1
13	0400150	SCREW, 3/8-16X2-1/2 HHC GR5	2
14	0400181	SCREW, 1/2-13X1-1/2 HHC GR5	6
15	0400352	NUT, 8-32 LOK	4
16	0400357	NUT, 10-32 LOK	2
17	0400392	NUT, 3/8-16 LOK	3
18	0400408	NUT, 1/2-13 LOK	6
19	0400464	LKWASHER, 5/16	2
20	0400467	WASHER, SAE 1/2" HARDENED PL	4
21	0400480	WASHER, 3/8	6
22	0400481	LKWASHER, 3/8 EXT	2
23	0400482	LKWASHER, 3/8	1
24	0400492	WASHER, 1/2	8
25	0501422	PLATE-SERIAL&DATA 804,807,810	1
26	0719519	SHIM - BOOM PIVOT (0.0747 THK)	2
27	0719520	SHIM - BOOM PIVOT (.1196 THK)	2
28	0730187	JUNCTION BOX PLATE EXP,810,812	1
29	0807183	MAIN BOOM PIVOT PIN WLMT.	1
30	0807553	PIN WLMT - FOLD PIN 810 P/T	1
31	0811029	WHEEL SPACER WLMT 812	2
32	0811063	SUBFRAME, 812 GEN3	1
33	0910933	HYD TANK ASSY, NARROW	1
34	0911250	VALVE ASSY, 812	1
35	0911466	812 CROSSBAR ASSY GEN3.2	1
36	0911492	W/L ASSY 812 GEN3	1
37	0911502	MAIN BOOM ASSY 812 GEN3	1
38	805351000	PIN WELD'T (LOWER LIFT C	1
39	810350001	PIN - STINGER PIVOT	1
40	810351000	PIN WELD'T - UPPER LIFTING CYL	1
41	810710000	3.5" LIFT CYLINDER 10.44"STR.	1
42	9056150	RETAINING RING - 1 1/2	1

Section I - PARTS

BASIC UNIT ASSEMBLY (cont'd)



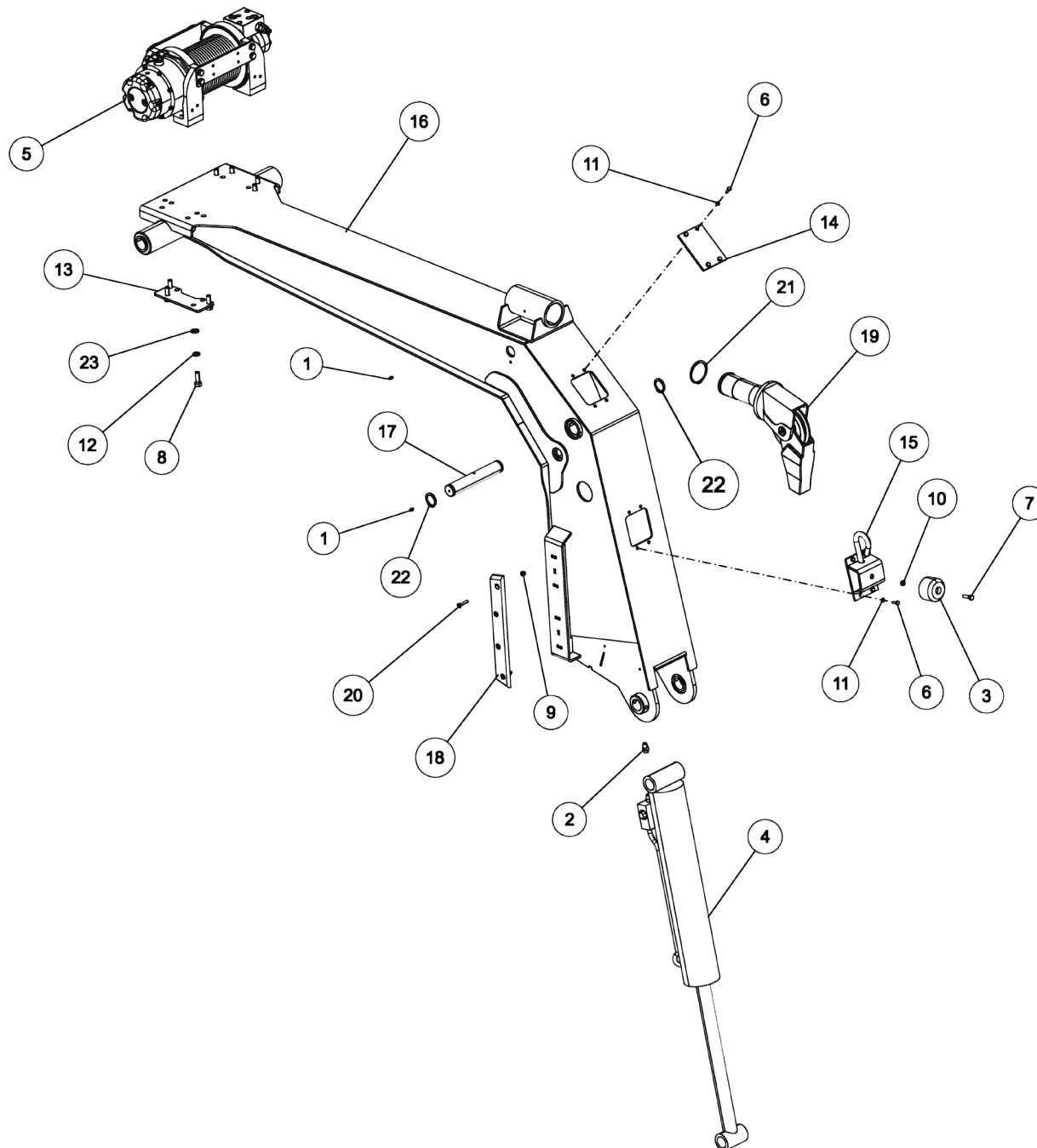
Section I - PARTS

BASIC UNIT ASSEMBLY (cont'd)

ITEM	PART NUMBER	DESCRIPTION	QTY
-	0911501	BUA 812 GEN3 POWERTILT SELF LOADING	-
1	0300056	FITTING, BARB 16C4-16MP	1
2	0300113	GREASE FITTING, 1/4-28 STR	2
3	0301522	ADAPTER, 6MJ-6MB	2
4	0301895	GREASE FITTING, 1/8 STR PTF	2
5	0302757	FITTING, CONN 8MJ - 16MB	1
6	0311541	SENSOR, SOLID STATE 812 REMOTE	1
7	0311866	P-CLAMP, 1/4 BLACK	2
8	0400066	SCREW, 1/4-20X3/4 HHC GR5	2
9	0400114	SCREW, 5/16-18X3 HHC GR5	2
10	0400126	SCREW, 3/8-16X1 HHC GR5	2
11	0400133	SCREW, 3/8-16X3 HHC GR5	1
12	0400142	SCREW, 3/8-16X3/4 SHC	1
13	0400150	SCREW, 3/8-16X2-1/2 HHC GR5	2
14	0400181	SCREW, 1/2-13X1-1/2 HHC GR5	6
15	0400352	NUT, 8-32 LOK	4
16	0400357	NUT, 10-32 LOK	2
17	0400392	NUT, 3/8-16 LOK	3
18	0400408	NUT, 1/2-13 LOK	6
19	0400464	LKWASHER, 5/16	2
20	0400467	WASHER, SAE 1/2" HARDENED PL	4
21	0400480	WASHER, 3/8	6
22	0400481	LKWASHER, 3/8 EXT	2
23	0400482	LKWASHER, 3/8	1
24	0400492	WASHER, 1/2	8
25	0501422	PLATE-SERIAL&DATA 804,807,810	1
26	0719519	SHIM - BOOM PIVOT (0.0747 THK)	2
27	0719520	SHIM - BOOM PIVOT (.1196 THK)	2
28	0730187	JUNCTION BOX PLATE EXP,810,812	1
29	0807183	MAIN BOOM PIVOT PIN WLMT.	1
30	0807553	PIN WLMT - FOLD PIN 810 P/T	1
31	0811029	WHEEL SPACER WLMT 812	2
32	0811063	SUBFRAME, 812 GEN3	1
33	0910933	HYD TANK ASSY, NARROW	1
34	0911250	VALVE ASSY, 812	1
35	0911466	812 CROSSBAR ASSY GEN3.2	1
36	0911492	W/L ASSY 812 GEN3	1
37	0911502	MAIN BOOM ASSY 812 GEN3	1
38	805351000	PIN WELD'T (LOWER LIFT C	1
39	810350001	PIN - STINGER PIVOT	1
40	810351000	PIN WELD'T - UPPER LIFTING CYL	1
41	810710000	3.5" LIFT CYLINDER 10.44"STR.	1
42	9056150	RETAINING RING - 1 1/2	1

Section I - PARTS

MAIN BOOM ASSEMBLY



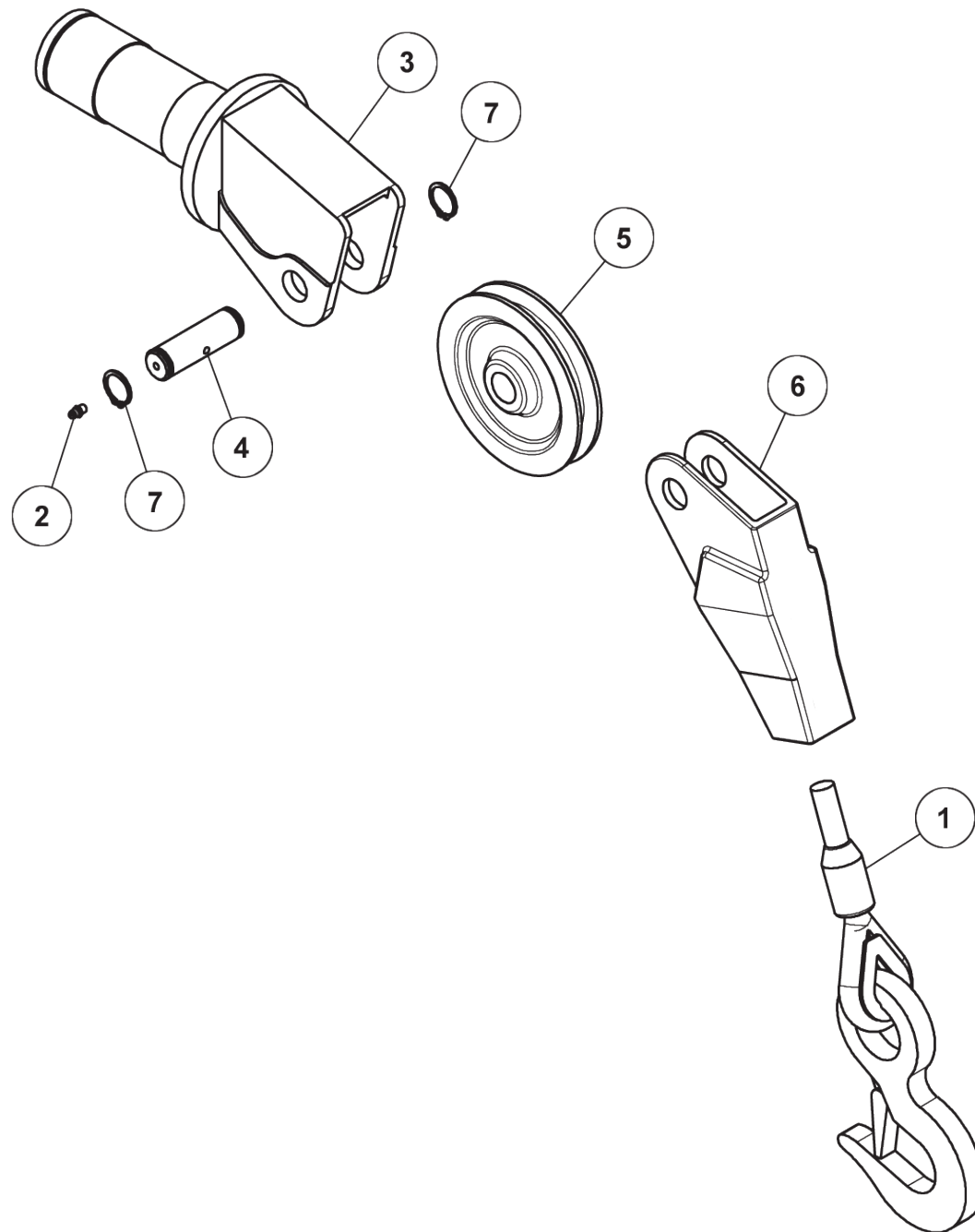
Section I - PARTS

MAIN BOOM ASSEMBLY

ITEM	PART NUMBER	DESCRIPTION	QTY
-	0911502	MAIN BOOM ASSY 812 GEN3	-
1	0300113	GREASE FITTING, 1/4-28 STR	2
2	0301522	ADAPTER, 6MJ-6MB	2
3	0306688	TIMBREN SPRING 180 AEON 2 7/8"	1
4	0310579	CYLINDER 4.0 BORE 19.5 STROKE	1
5	0310777	WINCH, 8000SP2 W/TENSIONER	1
6	0400066	SCREW, 1/4-20X3/4 HHC GR5	8
7	0400122	SCREW, 3/8-16X1-1/4 HHC GR5	1
8	0400181	SCREW, 1/2-13X1-1/2 HHC GR5	8
9	0400382	NUT, 5/16-18 LOK	8
10	0400398	NUT, 3/8-16 LOK JAM	1
11	0400452	LKWASHER, 1/4	8
12	0400491	LKWASHER, 1/2	8
13	0723174	PLT, WINCH SPACER 440/810	2
14	0730023	BUMP STOP & COVER PLT, BOOM	1
15	0811005	BUMP STOP WLMT, MAIN BOOM	1
16	0811062	MAIN BOOM, 812 GEN3	1
17	3014-700006	FOLD PIN 810 POWER TILT	1
18	805040011	VERTICAL BOOM GUIDE PAD	2
19	805180000	SHEAVE HOUSING ASSEMBLY	1
20	9043973	5/16-18X1 1/2 FL.HD.SOC.	8
21	9055275	SNAP RING EXT.2 3/4" 5160-275	1
22	9056150	RETAINING RING - 1 1/2	2
23	DE1381	1/2 WASHER SAE 17/32 ID	8

Section I - PARTS

BOOM SWIVEL ASSEMBLY



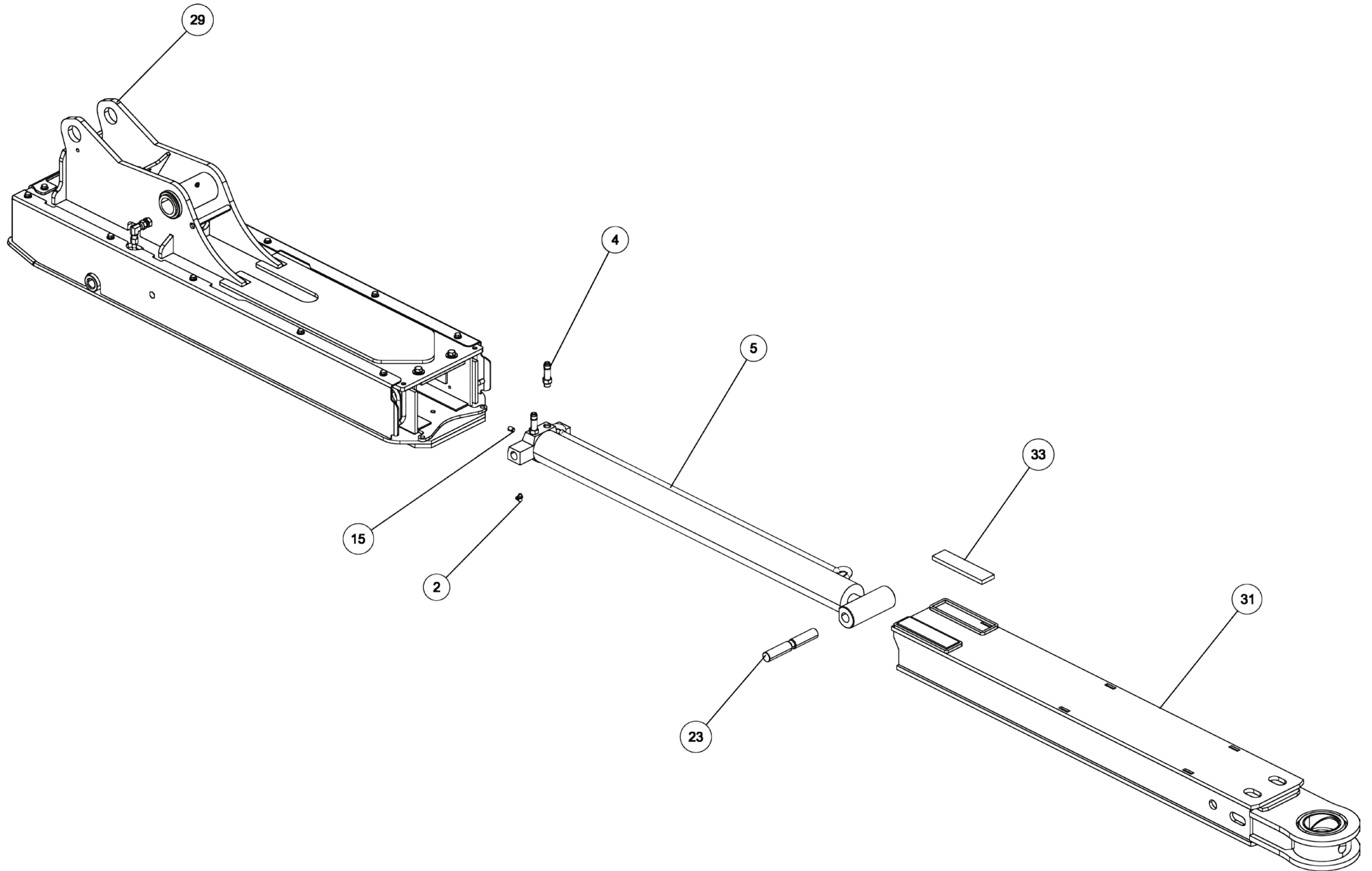
Section I - PARTS

BOOM SWIVEL ASSEMBLY

ITEM	PART NUMBER	DESCRIPTION	QTY
--	805180000	SHEAVE HOUSING ASSEMBLY	--
1	03005689	WIRE ROPE, 3/8" X 6 X 19 IPS	1
2	0300113	GREASE FITTING, 1/4"-28 STRAIGHT	1
3	804181500	SHEAVE HOUSING CASTING	1
4	805180001	SHEAVE SHAFT	1
5	805180002	SHEAVE CASTING (WAS 9050504)	1
6	852060100	CABLE GUIDE ~ CASTING	1
7	9056098	RETAINING RING, EXT 1" NOM. HEAVY DUTY	2

Section I - PARTS

WHEEL LIFT ASSEMBLY



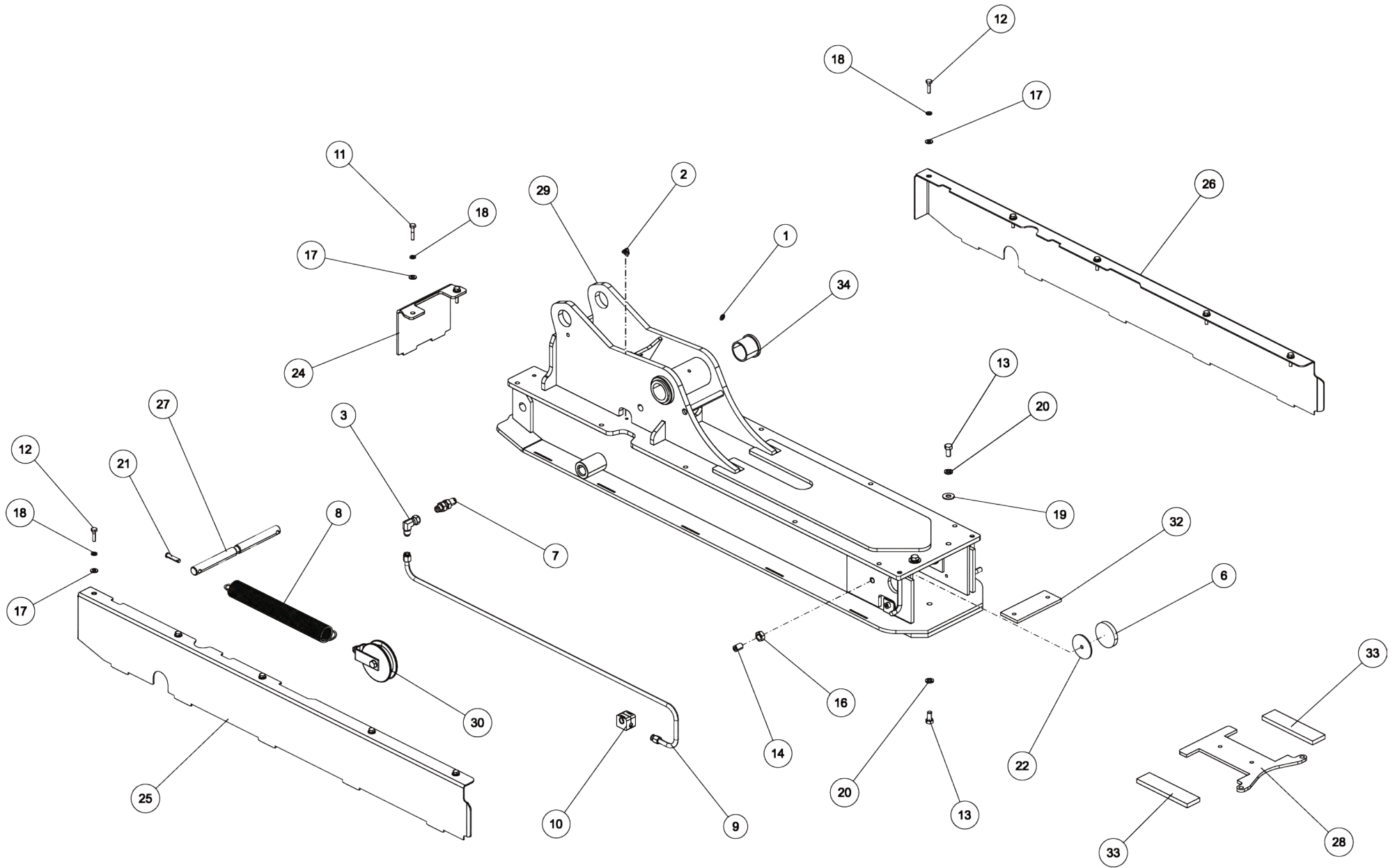
Section I - PARTS

WHEEL LIFT ASSEMBLY

ITEM	PART NUMBER	DESCRIPTION	QTY
-	0911492	W/L ASSY 812 GEN3	-
1	0300113	GREASE FITTING, 1/4-28 STR	1
2	0301397	GREASE FITTING, 1/4-28 90	4
3	0301696	FITTING, ELB 90 DEG 6MJ-6FJX90	2
4	0302510	ADAPTER, 6MJ-6MBL	2
5	0303020	CYL HYD EXT - EB3 (JI3)	1
6	0306819	PAD - SLIDE (2 1/4 DIA UHMW)	2
7	0310480	FITTING - BULKHEAD -6 UNION	2
8	0311390	SPRING, HOSE TENS. ENCL C/B	2
9	0311691	3/8" HYD HARD LINE OUTER W/L	2
10	0311716	CLAMP BODY SINGLE TUBE POLY	2
11	0400057	SCREW, 1/4-20X1-1/4 HHC	2
12	0400070	SCREW, 1/4-20X1 HHC GR5	10
13	0400121	SCREW, 3/8-16X3/4 HHC GR5	4
14	0400204	SET SCREW, 1/2-13X3/4 SOC	2
15	0400353	SET SCREW, 3/8X1/2 SOC	1
16	0400410	NUT, 1/2-13 JAM	2
17	0400451	WASHER, 1/4	12
18	0400452	LKWASHER, 1/4	12
19	0400480	WASHER, 3/8	2
20	0400482	LKWASHER, 3/8	4
21	0400666	PIN, 5/16X1-3/8 CLEVIS SS	2
22	0717674	SHIM, PAD SPACER	2
23	0718216	SHAFT, INNER TUBE CYLINDER	1
24	0725304	REAR COVER OUTER W/L	1
25	0730274	COVER OUTER W/L LH	1
26	0730275	COVER OUTER W/L RH	1
27	0730280	PIN EXTEND	1
28	0730297	PAD CAGE AUTOLO AD	1
29	0811060	812 GEN3 W/L OUTER BOOM WLMT	1
30	0911366	SINGLE PULLEY ASSY	2
31	0911504	INNER STINGER ASSY	1
32	3012-794003	BAR - SPACER	1
33	896040002	NYLATRON - 6 X 1 1/2 X	4
34	9053713	FLG BEARING 1.5"ID OILITE	2

Section I - PARTS

WHEEL LIFT ASSEMBLY (cont'd)



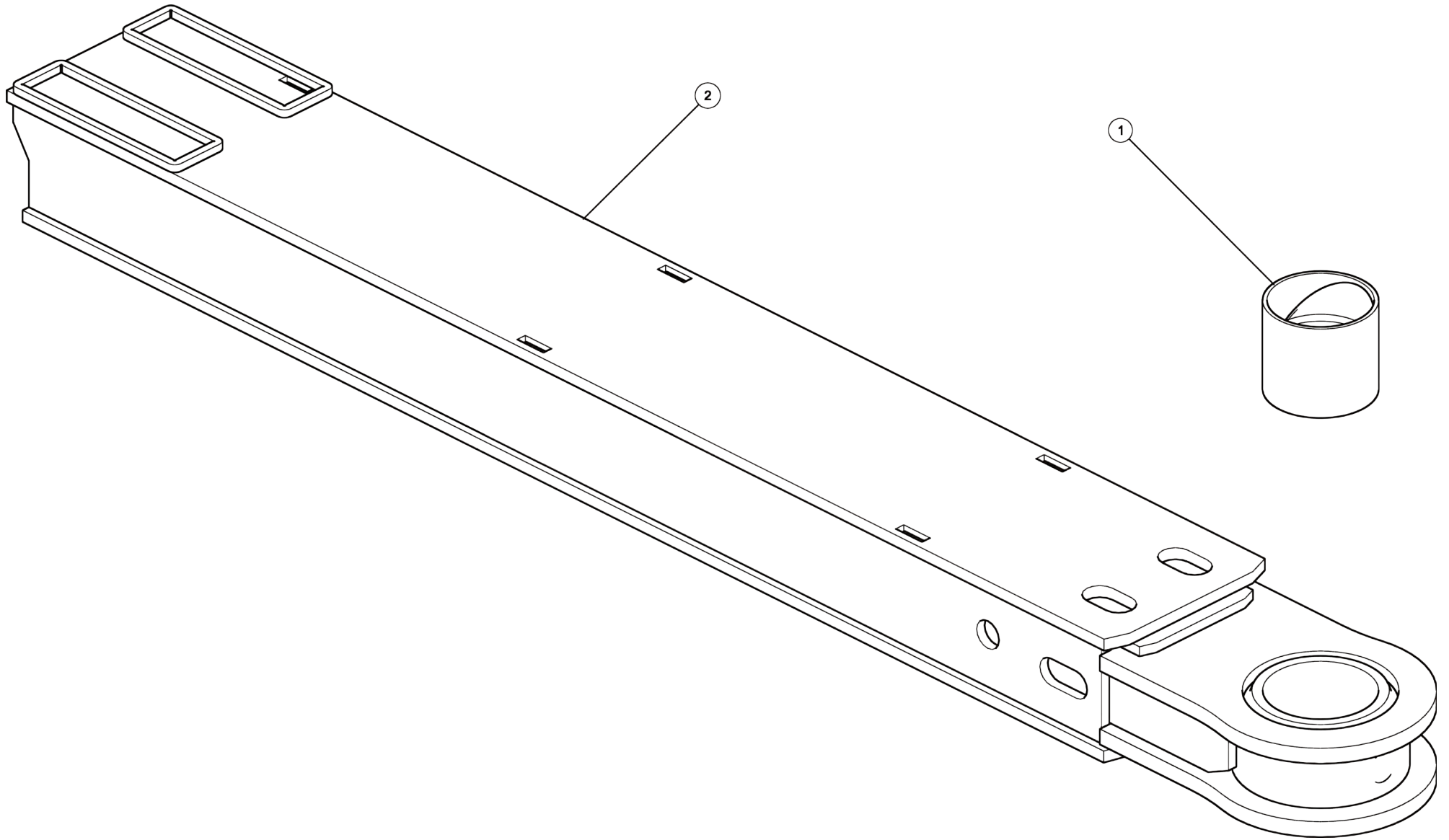
Section I - PARTS

WHEEL LIFT ASSEMBLY (cont'd)

ITEM	PART NUMBER	DESCRIPTION	QTY
-	0911492	W/L ASSY 812 GEN3	-
1	0300113	GREASE FITTING, 1/4-28 STR	1
2	0301397	GREASE FITTING, 1/4-28 90	4
3	0301696	FITTING, ELB 90 DEG 6MJ-6FJX90	2
4	0302510	ADAPTER, 6MJ-6MBL	2
5	0303020	CYL HYD EXT - EB3 (JI3)	1
6	0306819	PAD - SLIDE (2 1/4 DIA UHMW)	2
7	0310480	FITTING - BULKHEAD -6 UNION	2
8	0311390	SPRING, HOSE TENS. ENCL C/B	2
9	0311691	3/8" HYD HARD LINE OUTER W/L	2
10	0311716	CLAMP BODY SINGLE TUBE POLY	2
11	0400057	SCREW, 1/4-20X1-1/4 HHC	2
12	0400070	SCREW, 1/4-20X1 HHC GR5	10
13	0400121	SCREW, 3/8-16X3/4 HHC GR5	4
14	0400204	SET SCREW, 1/2-13X3/4 SOC	2
15	0400353	SET SCREW, 3/8X1/2 SOC	1
16	0400410	NUT, 1/2-13 JAM	2
17	0400451	WASHER, 1/4	12
18	0400452	LKWASHER, 1/4	12
19	0400480	WASHER, 3/8	2
20	0400482	LKWASHER, 3/8	4
21	0400666	PIN, 5/16X1-3/8 CLEVIS SS	2
22	0717674	SHIM, PAD SPACER	2
23	0718216	SHAFT, INNER TUBE CYLINDER	1
24	0725304	REAR COVER OUTER W/L	1
25	0730274	COVER OUTER W/L LH	1
26	0730275	COVER OUTER W/L RH	1
27	0730280	PIN EXTEND	1
28	0730297	PAD CAGE AUTOLO AD	1
29	0811060	812 GEN3 W/L OUTER BOOM WLMT	1
30	0911366	SINGLE PULLEY ASSY	2
31	0911504	INNER STINGER ASSY	1
32	3012-794003	BAR - SPACER	1
33	896040002	NYLATRON - 6 X 1 1/2 X	4
34	9053713	FLG BEARING 1.5"ID OILITE	2

Section I - PARTS

INNER STINGER ASSEMBLY



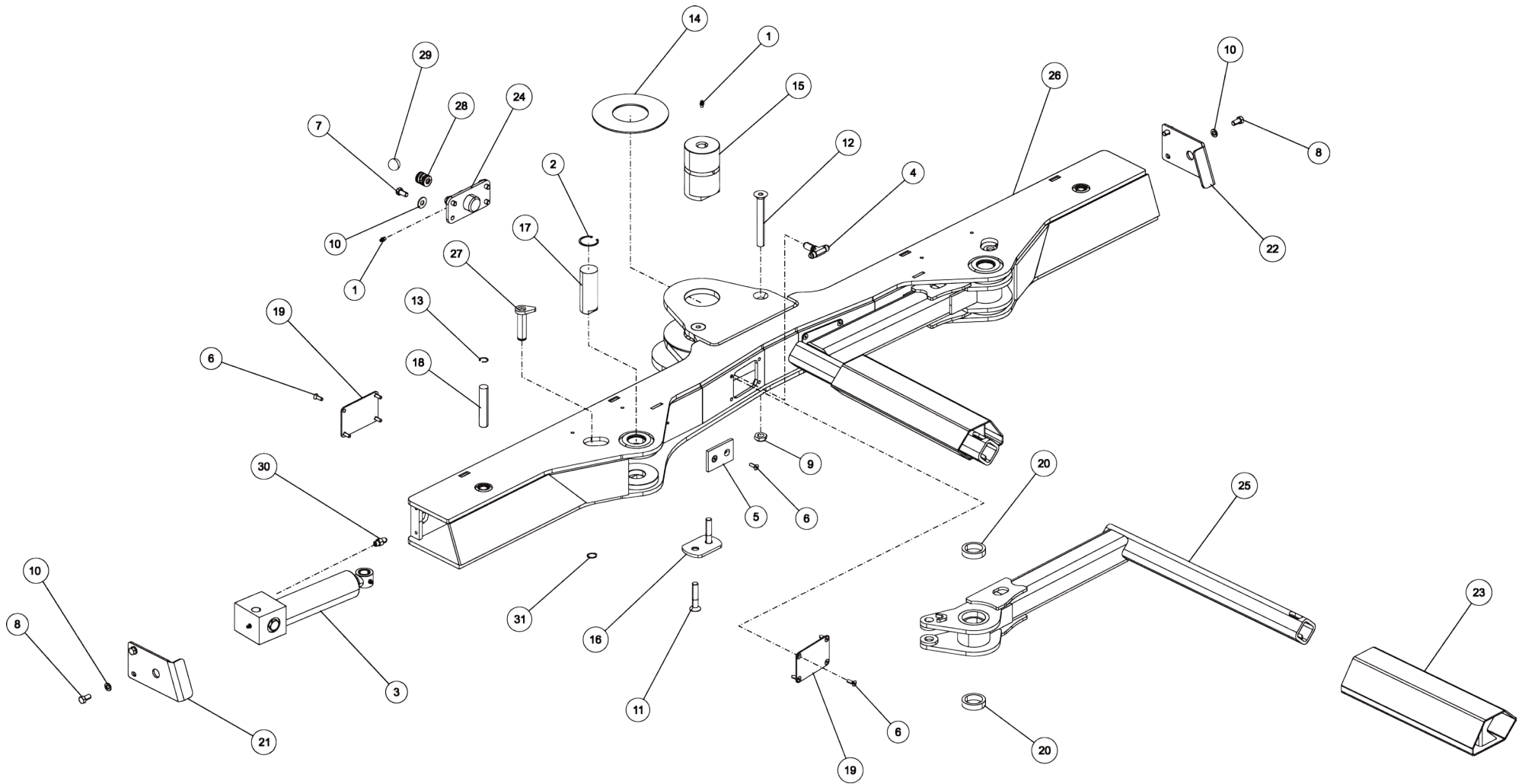
Section I - PARTS

INNER STINGER ASSEMBLY

ITEM	PART NUMBER	DESCRIPTION	QTY
-	0911504	INNER STINGER ASSY	-
1	0306879	BUSHING - (ALUM BRONZE)	1
2	0810138	INNER STINGER WLMT, AUTOLOAD	1

Section I - PARTS

CROSSBAR ASSEMBLY



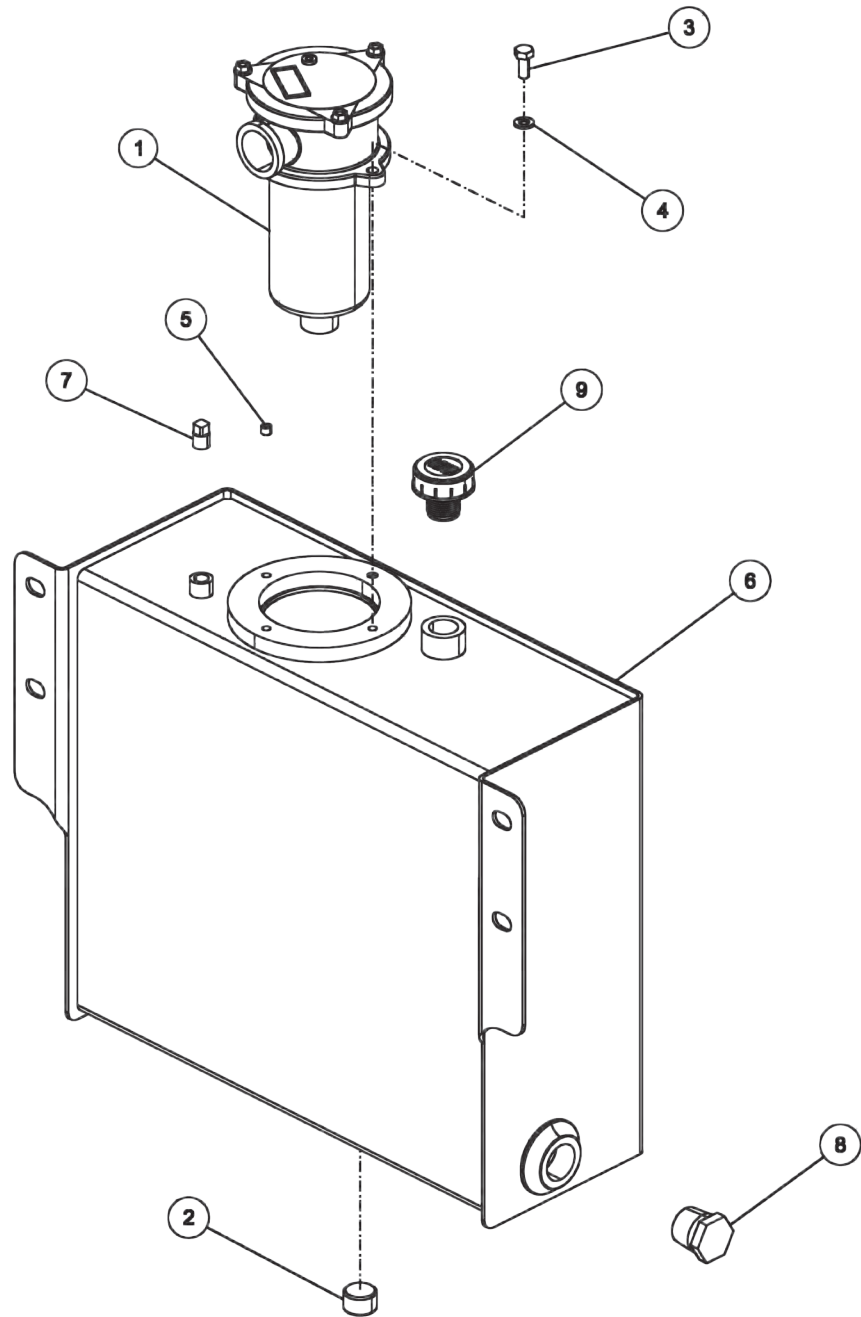
Section I - PARTS

CROSSBAR ASSEMBLY

ITEM	PART NUMBER	DESCRIPTION	QTY
-	0911466	812 CROSSBAR ASSY GEN3	-
1	0300113	GREASE FITTING, 1/4-28 STR	2
2	0301959	SNAP RING-INTERNAL 1-1/2	2
3	0311600	CYL, 812 CLAW GEN3, PUSH STYLE	2
4	0311617	FITTING - 6MJ-BLKHD-TEE	2
5	0311739	STOP PAD CLAW GEN3 CBAR	2
6	0400079	SCREW, 1/4-20X3/4 FHS GR5	20
7	0400109	SCREW, 5/16-18X1 HHC GR5	4
8	0400233	SCREW, 5/16-18X1/2 HHC GR5	4
9	0400428	NUT, 5/8-11 LOK FLEX JAM	2
10	0400464	LKWASHER, 5/16	8
11	0400992	SCREW, 1/2-20X2-1/2 FHS BO	2
12	0401008	SCREW, 5/8-11X5 FHS	2
13	0401150	SNAP RING, 3/4 INT	2
14	0710092	WASHER, THRUST 6500 W/L	2
15	0730174	PIN - C'BAR PIVOT - GEN 3 CBAR	1
16	0730175	PLATE -PIVOT PIN KEEPER -GEN 3	1
17	0730180	PIN - CLAW PIVOT - GEN 3 CBAR	2
18	0730181	PIN - CLAW CYL. - BASE - GEN 3	2
19	0730183	PLATE - ACCESS COVER - GEN 3	4
20	0730218	BUSHING - CLAW PIVOT	4
21	0730258	PLT, END CAP LH	1
22	0730259	PLT, END CAP RH	1
23	0811029	WHEEL SPACER WLMT 812	2
24	0811047	DETENT BRK'T WELD'T - GEN 3	1
25	0811055	CLAW, TUBE VERSION, 812 GEN3	2
26	0811056	812 GEN3 CROSSBAR WLMT	1
27	0811061	PIN WLMT, CLAW/CYL GEN3	2
28	9047057	DIE SPRING- MHP-42(DANLY	1
29	9052013	1" BALL CHROME	1
30	HC1291	FITTING, 4MJ-4MB STR THR	4
31	HD0160	SNAP RING, 3/4EXTERNAL	2

Section I - PARTS

HYDRAULIC TANK ASSEMBLY



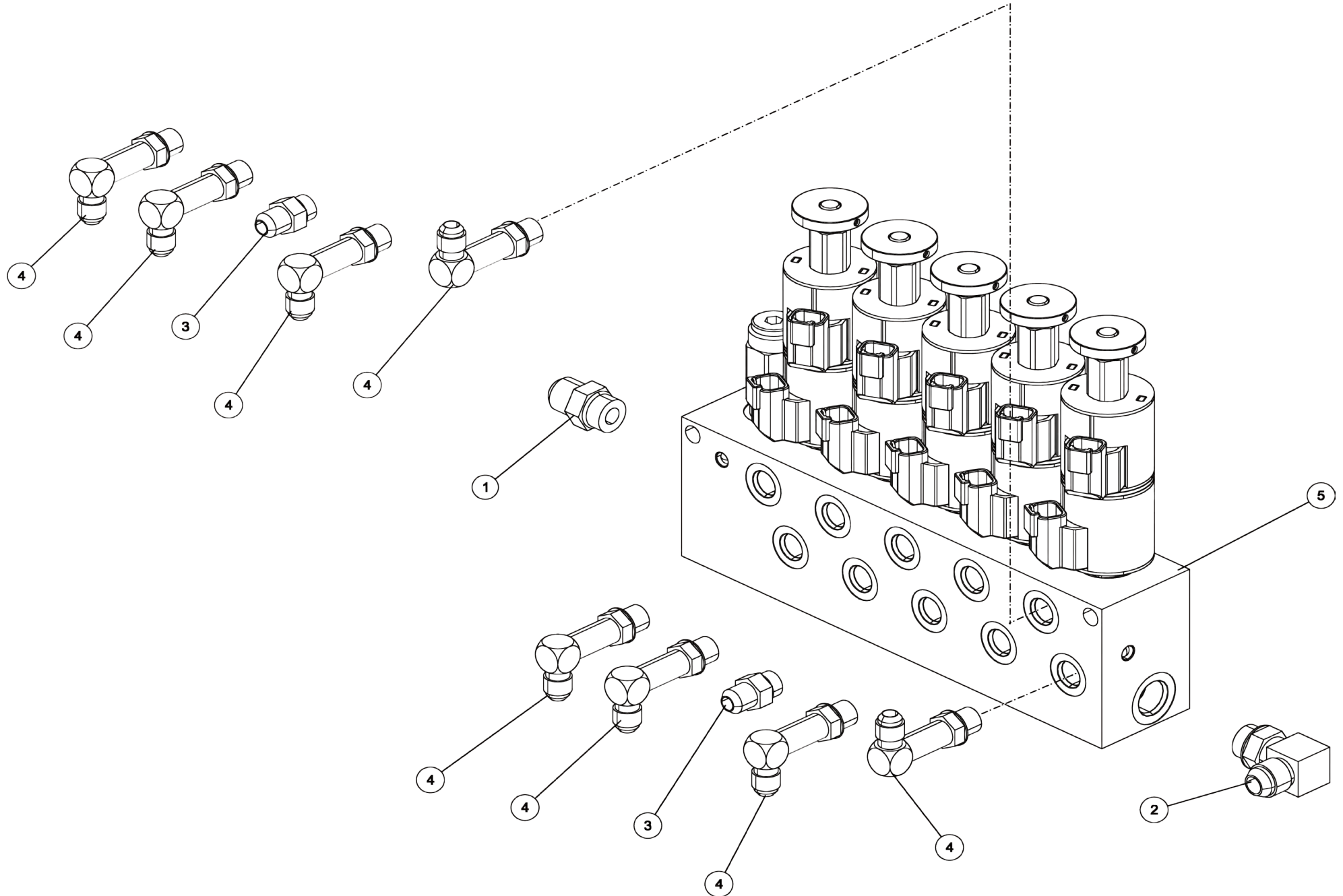
Section I - PARTS

HYDRAULIC TANK ASSEMBLY

ITEM	PART NUMBER	DESCRIPTION	QTY
-	0910933	HYD TANK ASSY, NARROW	-
1	0310296	FILTER HEAD ASSY W/ ELEMENT	1
2	0310462	PLUG - 3/4 NPT HEX - MAGNETIC	1
3	0400118	SCREW, 5/16-18X3/4 HHC GR5	2
4	0400464	LKWASHER, 5/16	2
5	0400748	SET SCREW, 5/16-18X1/4 SOC	2
6	0807895	HYD TANK WLMT, NARROW	1
7	9011011	1/4 SQ HD PIPE PLUG	1
8	9012839	1 PIPE PLUG	1
9	9018131	BREATHER CAP (LUCAS) 3/4	1

Section I - PARTS

HYDRAULIC VALVE ASSEMBLY



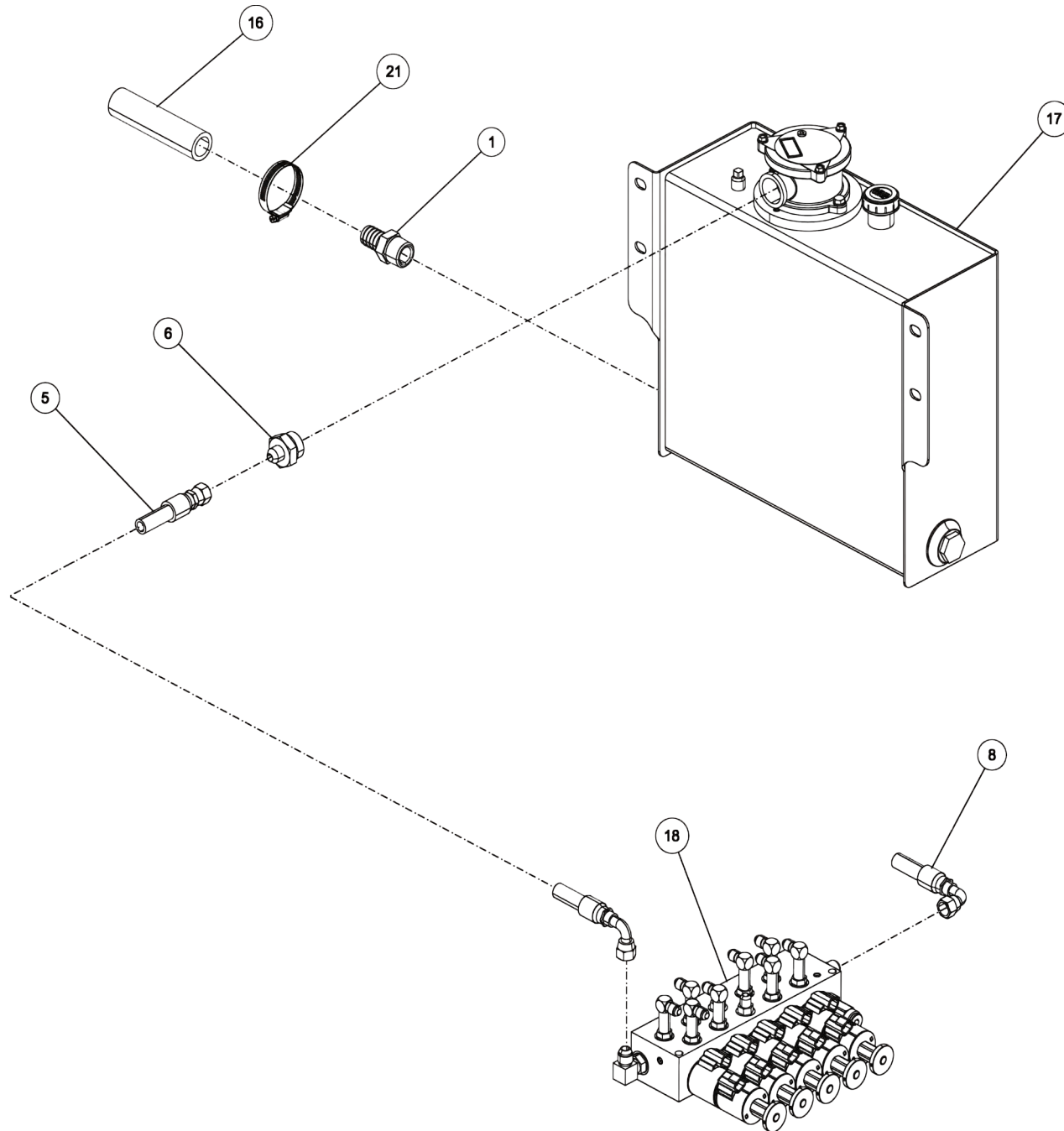
Section I - PARTS

HYDRAULIC VALVE ASSEMBLY

ITEM	PART NUMBER	DESCRIPTION	QTY
-	0911250	VALVE ASSY, 812 -	-
1	0300041	CONNECTOR, 8MJ-8MB	1
2	0301388	ELBOW, 8MJ-8MB90	1
3	0301522	ADAPTER, 6MJ-6MB	2
4	0307460	FITTING, HYD 6MJ-6MB90LL	8
5	0310573	VALVE, 5 SPOOL 810 PWRILT	1

Section I - PARTS

TANK & VALVE HYDRAULICS



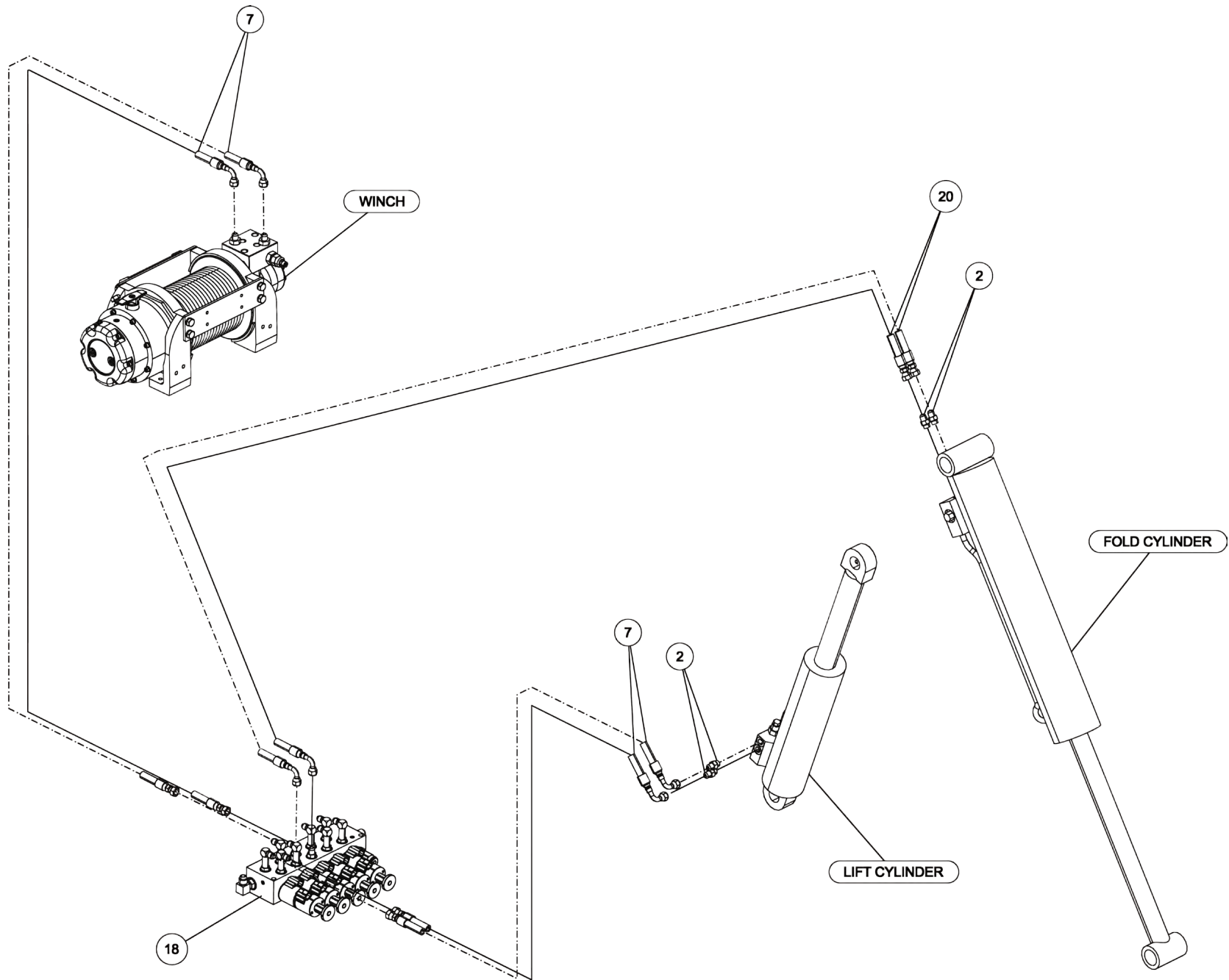
Section I - PARTS

TANK & VALVE HYDRAULICS

ITEM	PART NUMBER	DESCRIPTION	QTY
-	0911501	812 UNIT HYDRAULICS	-
1	0300056	FITTING, BARB 16C4-16MP	1
2	0301522	ADAPTER, 6MJ-6MB	4
3	0301696	FITTING, ELB 90 DEG 6MJ-6FJX90	2
4	0302510	ADAPTER, 6MJ-6MBL	2
5	0302610	HOSE HYD, 36"	1
6	0302757	FITTING, CONN 8MJ - 16MB	1
7	0302814	HOSE, 32" 6FJX-6M3K-6FJX90	4
8	0307663	HOSE, HYD ASSY 185" LGTH 90	1
9	0310480	FITTING - BULKHEAD -6 UNION	2
10	0311617	FITTING - 6MJ-BLKHD-TEE	2
11	0311657	HOSE - 4FJX-4M3K-MTF-6FJX x 28	2
12	0311658	HOSE-4FJX-4M3K-MTF-6FJXx37-1/2	2
13	0311691	3/8" HYD HARD LINE OUTER W/L	2
14	0311771	HOSE, 80-1/2" 6MJ-4M3K-6FJX90	2
15	0311803	HOSE, 139 6FJX-4M3K-6FJX90 MTF	2
16	0725482	HOSE, SUCTION 17' (1" ID)	1
17	0910933	HYD TANK ASSY, NARROW	1
18	0911250	VALVE ASSY, 812	1
19	806750108	HOSE ASSY FOLD MEGA TOUGH MTL.	2
20	810770003	HOSE, 106 6FJX-6M3K-6FJX90	2
21	9018092	HOSE CLAMP HS24 *	1
22	HC1291	FITTING, 4MJ-4MB STR THR	4

Section I - PARTS

MAIN BOOM HYDRAULICS



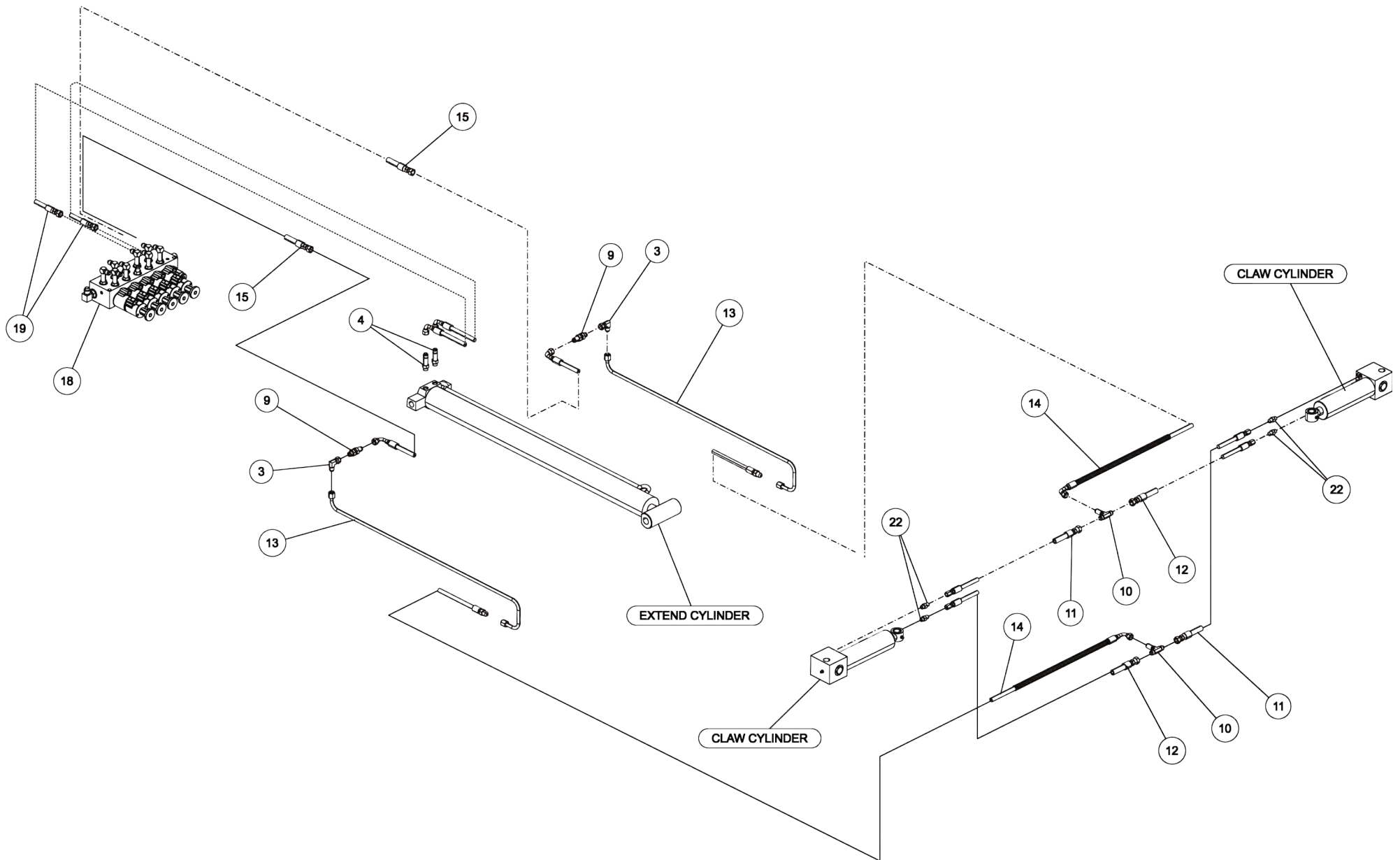
Section I - PARTS

MAIN BOOM HYDRAULICS

ITEM	PART NUMBER	DESCRIPTION	QTY
-	0911501	812 UNIT HYDRAULICS	-
1	0300056	FITTING, BARB 16C4-16MP	1
2	0301522	ADAPTER, 6MJ-6MB	4
3	0301696	FITTING, ELB 90 DEG 6MJ-6FJX90	2
4	0302510	ADAPTER, 6MJ-6MBL	2
5	0302610	HOSE HYD, 36"	1
6	0302757	FITTING, CONN 8MJ - 16MB	1
7	0302814	HOSE, 32" 6FJX-6M3K-6FJX90	4
8	0307663	HOSE, HYD ASSY 185" LGTH 90	1
9	0310480	FITTING - BULKHEAD -6 UNION	2
10	0311617	FITTING - 6MJ-BLKHD-TEE	2
11	0311657	HOSE - 4FJX-4M3K-MTF-6FJX x 28	2
12	0311658	HOSE-4FJX-4M3K-MTF-6FJXx37-1/2	2
13	0311691	3/8" HYD HARD LINE OUTER W/L	2
14	0311771	HOSE, 80-1/2" 6MJ-4M3K-6FJX90	2
15	0311803	HOSE, 139 6FJX-4M3K-6FJX90 MTF	2
16	0725482	HOSE, SUCTION 17' (1" ID)	1
17	0910933	HYD TANK ASSY, NARROW	1
18	0911250	VALVE ASSY, 812	1
19	806750108	HOSE ASSY FOLD MEGA TOUGH MTL.	2
20	810770003	HOSE, 106 6FJX-6M3K-6FJX90	2
21	9018092	HOSE CLAMP HS24 *	1
22	HC1291	FITTING, 4MJ-4MB STR THR	4

Section I - PARTS

WHEEL LIFT HYDRAULICS



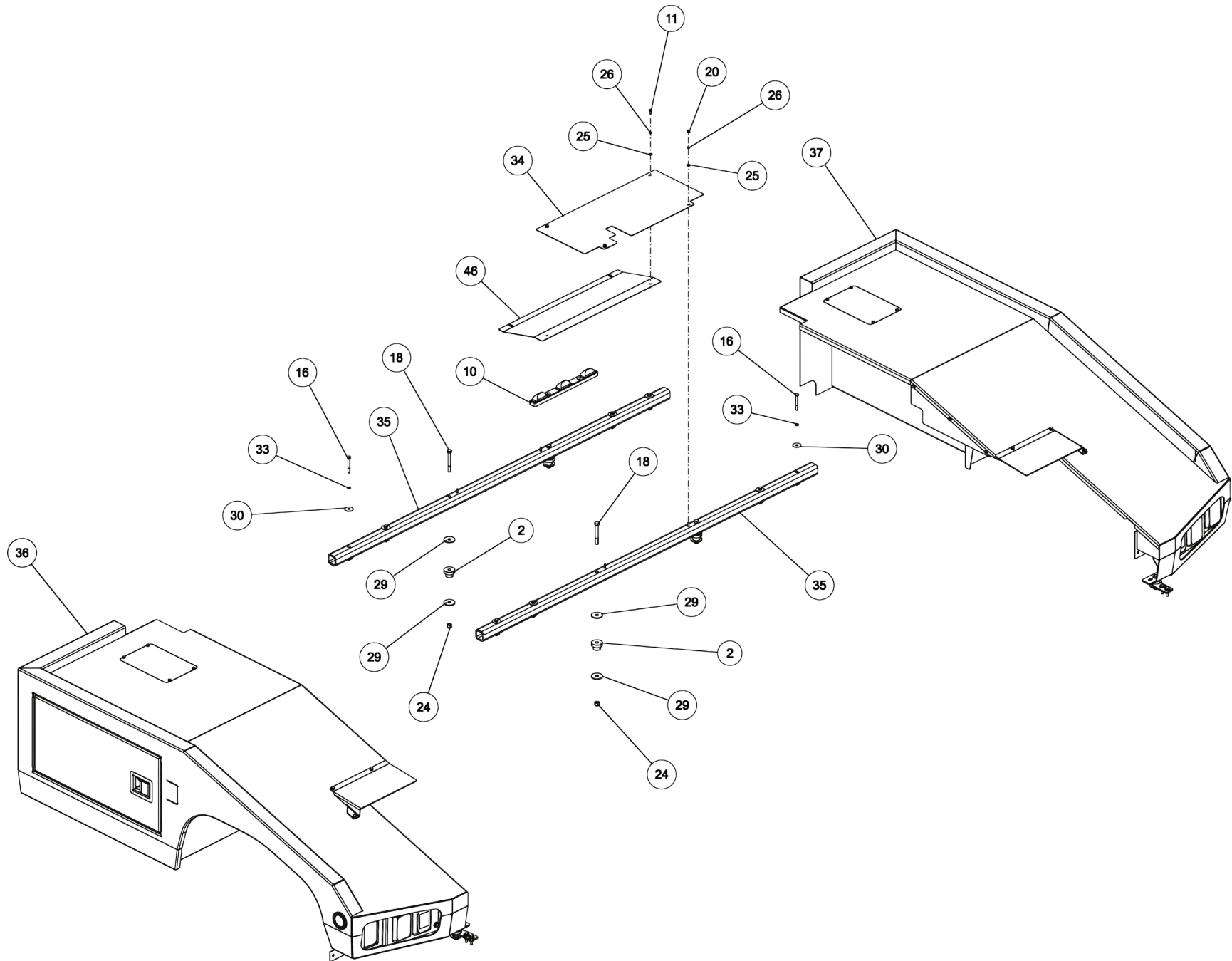
Section I - PARTS

WHEEL LIFT HYDRAULICS

ITEM	PART NUMBER	DESCRIPTION	QTY
-	0911501	812 UNIT HYDRAULICS	-
1	0300056	FITTING, BARB 16C4-16MP	1
2	0301522	ADAPTER, 6MJ-6MB	4
3	0301696	FITTING, ELB 90 DEG 6MJ-6FJX90	2
4	0302510	ADAPTER, 6MJ-6MBL	2
5	0302610	HOSE HYD, 36"	1
6	0302757	FITTING, CONN 8MJ - 16MB	1
7	0302814	HOSE, 32" 6FJX-6M3K-6FJX90	4
8	0307663	HOSE, HYD ASSY 185" LGTH 90	1
9	0310480	FITTING - BULKHEAD -6 UNION	2
10	0311617	FITTING - 6MJ-BLKHD-TEE	2
11	0311657	HOSE - 4FJX-4M3K-MTF-6FJX x 28	2
12	0311658	HOSE-4FJX-4M3K-MTF-6FJXx37-1/2	2
13	0311691	3/8" HYD HARD LINE OUTER W/L	2
14	0311771	HOSE, 80-1/2" 6MJ-4M3K-6FJX90	2
15	0311803	HOSE, 139 6FJX-4M3K-6FJX90 MTF	2
16	0725482	HOSE, SUCTION 17' (1" ID)	1
17	0910933	HYD TANK ASSY, NARROW	1
18	0911250	VALVE ASSY, 812	1
19	806750108	HOSE ASSY FOLD MEGA TOUGH MTL.	2
20	810770003	HOSE, 106 6FJX-6M3K-6FJX90	2
21	9018092	HOSE CLAMP HS24 *	1
22	HC1291	FITTING, 4MJ-4MB STR THR	4

Section I - PARTS

BODY ASSEMBLIES - CARBON STEEL MODULAR



Section I - PARTS

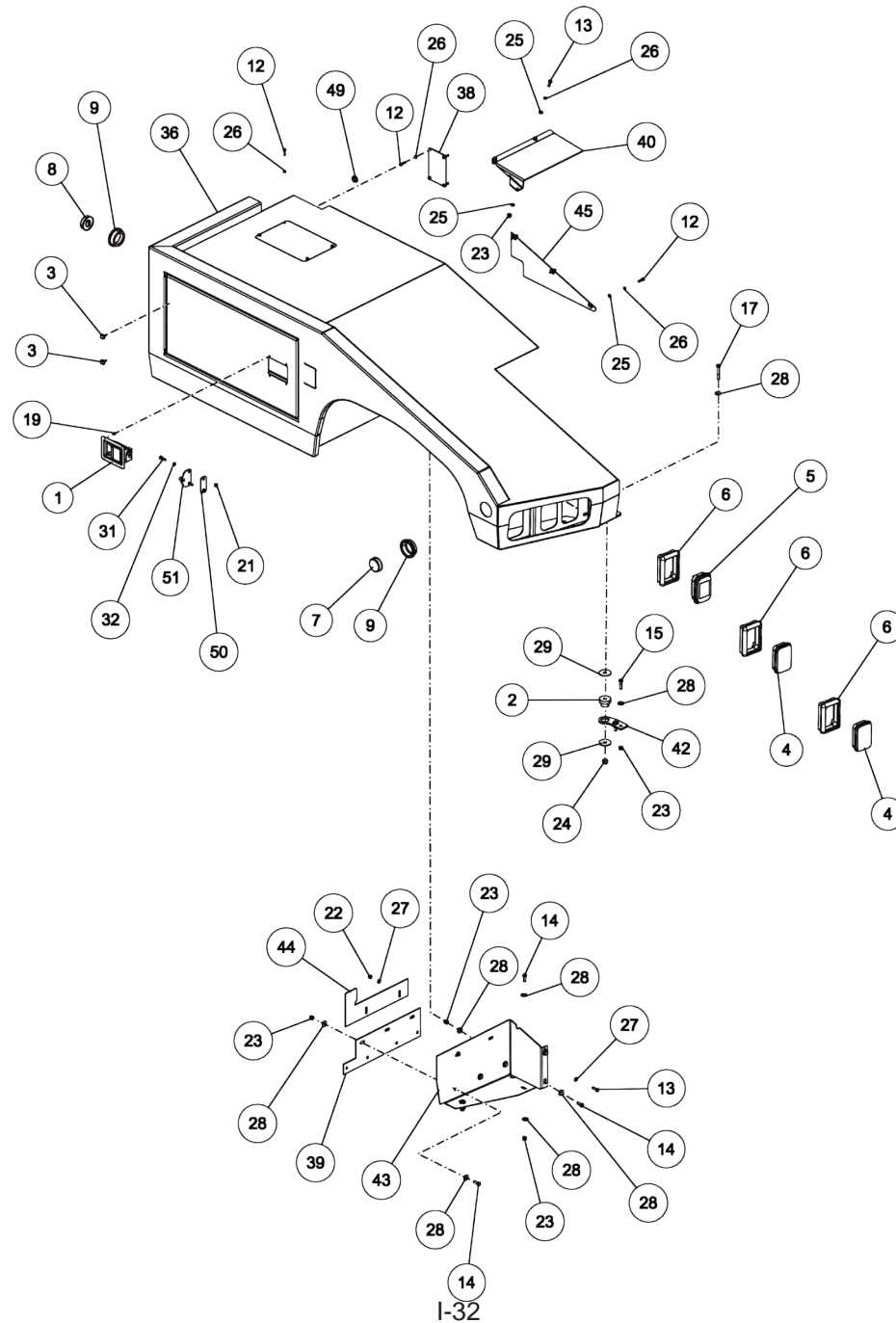
BODY ASSEMBLIES - CARBON STEEL MODULAR

ITEM	PART NUMBER	DESCRIPTION	QTY
-	120500121	BODY - CARBON STEEL (MODULAR)	-
1	0303120	LATCH PADDLE W/GASKET	2
2	0306680	RUBBER "T" MOUNTS LTI 20203	6
3	0310925	RUBBER BUMP STOP	4
4	0311507	LIGHT RECT RED LED	4
5	0311510	LIGHT RECT REVERSE W/REFLEX	2
6	0311511	GROMMET, TAIL LIGHT, RECTANGULAR	6
7	0311512	LIGHT 2.5" RED REFLEX LED	2
8	0311513	LIGHT 2.5" AMBER REFLEX LED	2
9	0311516	GROMMET, LIGHT 2.5" ROUND	4
10	0311531	LIGHT 3 RED ID BAR LED	1
11	0400059	SCREW, 1/4-20X5/8 HHC GR5	2
12	0400070	SCREW, 1/4-20X1 HHC GR5	22
13	0400109	SCREW, 5/16-18X1 HHC GR5	10
14	0400126	SCREW, 3/8-16X1 HHC GR5	14
15	0400132	SCREW, 3/8-16X1-1/2 HHC GR5	4
16	0400133	SCREW, 3/8-16X3 HHC GR5	8
17	0400150	SCREW, 3/8-16X2-1/2 HHC GR5	2
18	0400237	SCREW, 1/2-13X4 HHC GR5	4
19	0400351	NUT, 8-32 HEX	8
20	0400367	NUT, 1/4-20 LOK	2
21	0400381	NUT, 5/16-18 HEX	4
22	0400382	NUT, 5/16-18 LOK	4
23	0400392	NUT, 3/8-16 LOK	24
24	0400408	NUT, 1/2-13 LOK	6
25	0400451	WASHER, 1/4	22

ITEM	PART NUMBER	DESCRIPTION	QTY
26	0400452	LKWASHER, 1/4	32
27	0400463	WASHER, 5/16	8
28	0400480	WASHER, 3/8	38
29	0400498	WASHER, 1/2X2X0.125	12
30	0400888	WASHER, 3/8 FEN	8
31	0402032	SCREW, 5/16-18X1 HHC SS	4
32	0402118	LKWASHER, 5/16 SS	4
33	0402121	LKWASHER, 3/8 SS	8
34	0723146	COVER, REAR VALVE 810 P/TILT	1
35	0807232	TUBE MOUNTING WELDT	2
36	0807916	BODY WLMT, 810 LH CS 2011 BOX	1
37	0807917	BODY WLMT, 810 RH CS 2011 BOX	1
38	805040005	COVER PLATE-BOOM END (RE	2
39	810010001	BRACKET, CS - MUD FLAP	2
40	810010006	PANEL - LH REAR SLOPE	1
41	810017006	PANEL - RH REAR SLOPE	1
42	810030005	PLATE-BODY REAR MTG. (T. MTG)	2
43	810030015	LH SS LIGHT COVER PANEL	1
44	810030016	PLATE - GUARD FILLER SS	2
45	810031100	LH INSIDE SKIRT WELD'T	1
46	810032000	D.C.V. FRONT PANEL WELD'T	1
47	810037015	RH SS LIGHT COVER PANEL	1
48	810038100	RH INSIDE SKIRT WELD'T	1
49	9032053	GROMMET-RUBBER McMAST. 5/8x1/8	2
50	945400518	WASHER PLATE PL - STRIKE	2
51	945400800	STRIKER PIN WELD'T PL	2

Section I - PARTS

BODY ASSEMBLIES - CARBON STEEL MODULAR (cont'd)



Section I - PARTS

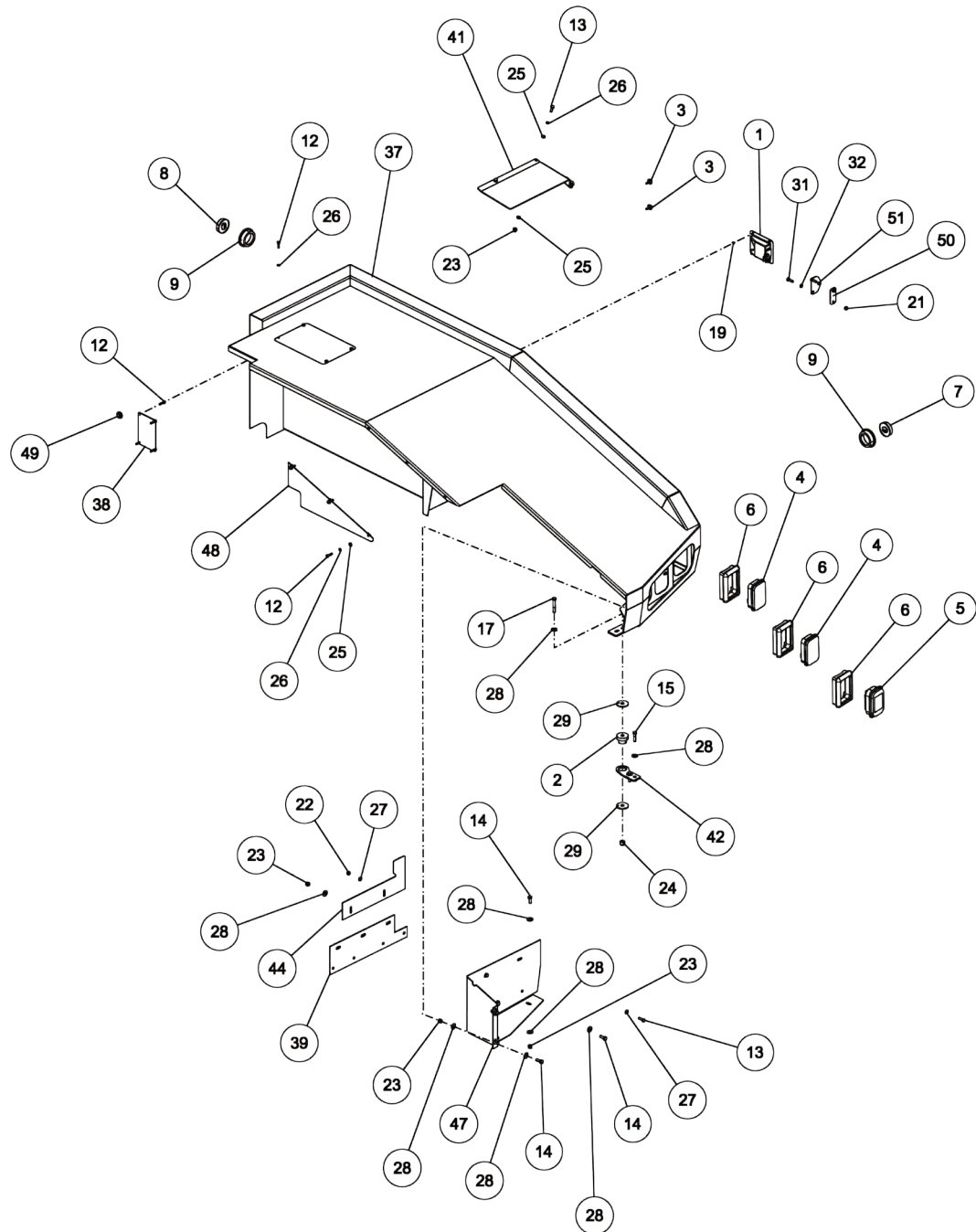
BODY ASSEMBLIES - CARBON STEEL MODULAR (cont'd)

ITEM	PART NUMBER	DESCRIPTION	QTY
-	120500121	BODY - CARBON STEEL (MODULAR)	-
1	0303120	LATCH PADDLE W/GASKET	2
2	0306680	RUBBER "T" MOUNTS LTI 20203	6
3	0310925	RUBBER BUMP STOP	4
4	0311507	LIGHT RECT RED LED	4
5	0311510	LIGHT RECT REVERSE W/REFLEX	2
6	0311511	GROMMET, TAIL LIGHT, RECTANGULAR	6
7	0311512	LIGHT 2.5" RED REFLEX LED	2
8	0311513	LIGHT 2.5" AMBER REFLEX LED	2
9	0311516	GROMMET, LIGHT 2.5" ROUND	4
10	0311531	LIGHT 3 RED ID BAR LED	1
11	0400059	SCREW, 1/4-20X5/8 HHC GR5	2
12	0400070	SCREW, 1/4-20X1 HHC GR5	22
13	0400109	SCREW, 5/16-18X1 HHC GR5	10
14	0400126	SCREW, 3/8-16X1 HHC GR5	14
15	0400132	SCREW, 3/8-16X1-1/2 HHC GR5	4
16	0400133	SCREW, 3/8-16X3 HHC GR5	8
17	0400150	SCREW, 3/8-16X2-1/2 HHC GR5	2
18	0400237	SCREW, 1/2-13X4 HHC GR5	4
19	0400351	NUT, 8-32 HEX	8
20	0400367	NUT, 1/4-20 LOK	2
21	0400381	NUT, 5/16-18 HEX	4
22	0400382	NUT, 5/16-18 LOK	4
23	0400392	NUT, 3/8-16 LOK	24
24	0400408	NUT, 1/2-13 LOK	6
25	0400451	WASHER, 1/4	22

ITEM	PART NUMBER	DESCRIPTION	QTY
26	0400452	LKWASHER, 1/4	32
27	0400463	WASHER, 5/16	8
28	0400480	WASHER, 3/8	38
29	0400498	WASHER, 1/2X2X0.125	12
30	0400888	WASHER, 3/8 FEN	8
31	0402032	SCREW, 5/16-18X1 HHC SS	4
32	0402118	LKWASHER, 5/16 SS	4
33	0402121	LKWASHER, 3/8 SS	8
34	0723146	COVER, REAR VALVE 810 P/TILT	1
35	0807232	TUBE MOUNTING WELDT	2
36	0807916	BODY WLMT, 810 LH CS 2011 BOX	1
37	0807917	BODY WLMT, 810 RH CS 2011 BOX	1
38	805040005	COVER PLATE-BOOM END (RE	2
39	810010001	BRACKET, CS - MUD FLAP	2
40	810010006	PANEL - LH REAR SLOPE	1
41	810017006	PANEL - RH REAR SLOPE	1
42	810030005	PLATE-BODY REAR MTG. (T. MTG)	2
43	810030015	LH SS LIGHT COVER PANEL	1
44	810030016	PLATE - GUARD FILLER SS	2
45	810031100	LH INSIDE SKIRT WELD'T	1
46	810032000	D.C.V. FRONT PANEL WELD'T	1
47	810037015	RH SS LIGHT COVER PANEL	1
48	810038100	RH INSIDE SKIRT WELD'T	1
49	9032053	GROMMET-RUBBER McMAST. 5/8x1/8	2
50	945400518	WASHER PLATE PL - STRIKE	2
51	945400800	STRIKER PIN WELD'T PL	2

Section I - PARTS

BODY ASSEMBLIES - CARBON STEEL MODULAR (cont'd)



Section I - PARTS

BODY ASSEMBLIES - CARBON STEEL MODULAR (cont'd)

ITEM	PART NUMBER	DESCRIPTION	QTY
-	120500121	BODY - CARBON STEEL (MODULAR)	-
1	0303120	LATCH PADDLE W/GASKET	2
2	0306680	RUBBER "T" MOUNTS LTI 20203	6
3	0310925	RUBBER BUMP STOP	4
4	0311507	LIGHT RECT RED LED	4
5	0311510	LIGHT RECT REVERSE W/REFLEX	2
6	0311511	GROMMET, TAIL LIGHT, RECTANGULAR	6
7	0311512	LIGHT 2.5" RED REFLEX LED	2
8	0311513	LIGHT 2.5" AMBER REFLEX LED	2
9	0311516	GROMMET, LIGHT 2.5" ROUND	4
10	0311531	LIGHT 3 RED ID BAR LED	1
11	0400059	SCREW, 1/4-20X5/8 HHC GR5	2
12	0400070	SCREW, 1/4-20X1 HHC GR5	22
13	0400109	SCREW, 5/16-18X1 HHC GR5	10
14	0400126	SCREW, 3/8-16X1 HHC GR5	14
15	0400132	SCREW, 3/8-16X1-1/2 HHC GR5	4
16	0400133	SCREW, 3/8-16X3 HHC GR5	8
17	0400150	SCREW, 3/8-16X2-1/2 HHC GR5	2
18	0400237	SCREW, 1/2-13X4 HHC GR5	4
19	0400351	NUT, 8-32 HEX	8
20	0400367	NUT, 1/4-20 LOK	2
21	0400381	NUT, 5/16-18 HEX	4
22	0400382	NUT, 5/16-18 LOK	4
23	0400392	NUT, 3/8-16 LOK	24
24	0400408	NUT, 1/2-13 LOK	6
25	0400451	WASHER, 1/4	22

ITEM	PART NUMBER	DESCRIPTION	QTY
26	0400452	LKWASHER, 1/4	32
27	0400463	WASHER, 5/16	8
28	0400480	WASHER, 3/8	38
29	0400498	WASHER, 1/2X2X0.125	12
30	0400888	WASHER, 3/8 FEN	8
31	0402032	SCREW, 5/16-18X1 HHC SS	4
32	0402118	LKWASHER, 5/16 SS	4
33	0402121	LKWASHER, 3/8 SS	8
34	0723146	COVER, REAR VALVE 810 P/TILT	1
35	0807232	TUBE MOUNTING WELDT	2
36	0807916	BODY WLMT, 810 LH CS 2011 BOX	1
37	0807917	BODY WLMT, 810 RH CS 2011 BOX	1
38	805040005	COVER PLATE-BOOM END (RE	2
39	810010001	BRACKET, CS - MUD FLAP	2
40	810010006	PANEL - LH REAR SLOPE	1
41	810017006	PANEL - RH REAR SLOPE	1
42	810030005	PLATE-BODY REAR MTG. (T. MTG)	2
43	810030015	LH SS LIGHT COVER PANEL	1
44	810030016	PLATE - GUARD FILLER SS	2
45	810031100	LH INSIDE SKIRT WELD'T	1
46	810032000	D.C.V. FRONT PANEL WELD'T	1
47	810037015	RH SS LIGHT COVER PANEL	1
48	810038100	RH INSIDE SKIRT WELD'T	1
49	9032053	GROMMET-RUBBER McMAST. 5/8x1/8	2
50	945400518	WASHER PLATE PL - STRIKE	2
51	945400800	STRIKER PIN WELD'T PL	2



Miller Industries Towing Equipment Inc.
8503 Hilltop Drive • Ooltewah, Tennessee 37363
(423) 238-4171 • www.millerind.com