



## OWNER'S MANUAL

# SERIES 12 LCG CARRIER GENERATION II

## INSTALLATION, OPERATION, MAINTENANCE & PARTS

**NOTE: MANUAL including SPECIFICATIONS, subject to change without notice**  
All ratings specified are based on structural factors only,  
not vehicle capacities or capabilities.



Miller Industries PA Carrier Operations  
Hermitage, PA 16148

0540026  
Rev. 12/2019

## Section VI - PARTS

This Section is provided by the manufacturer for the purpose of ordering any component part of the **12 Series LCG Carrier** that may be required when part replacement is necessary. Be certain to use only original equipment replacement parts for warranty purposes as well as for keeping your **12 Series LCG Carrier** in its original state and optimum operating capacities.

When ordering replacement or spare parts be sure to provide the following information to your carrier manufacturer authorized representative.

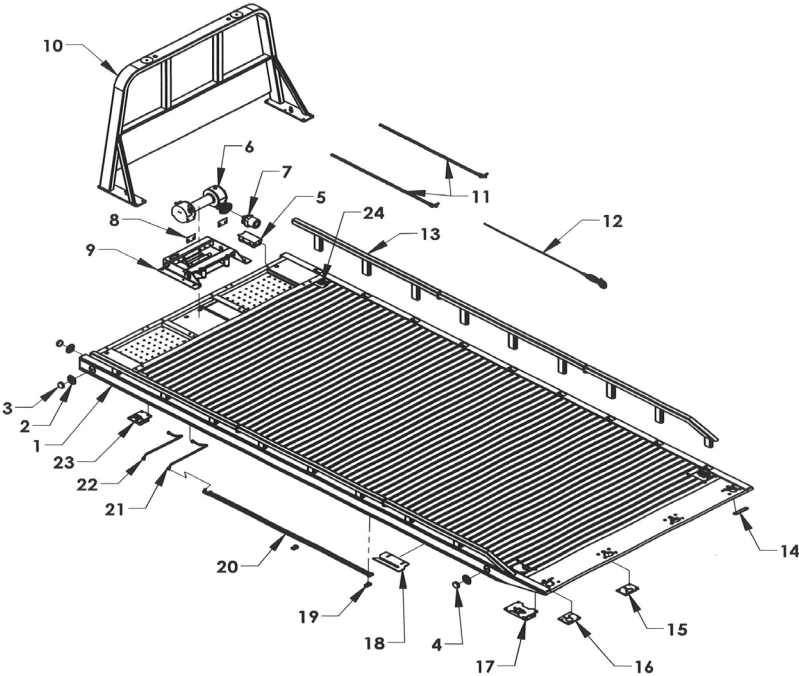
1. **Manual Number & Date of Publication**
2. **Manual Page Number**
3. **Page Title**
3. **Reference Number of Part Desired**
4. **Part Number**
6. **Part Description**
7. **Quantity of Part Desired**

Providing this information will help ensure that the correct parts will be delivered to you in an expedient manner without delay. Should additional information be required for repair or replacement of certain components, contact **Miller Industries, Hermitage, PA, Phone: 724-981-3328**.

The Manufacturer reserves the right, without notice or obligation, to improve or modify their products, which may change the specifications, models and feature availability.

**Section VI - PARTS**

**ALUMINUM BED ASSEMBLY GEN 2  
REMOVABLE RAIL**



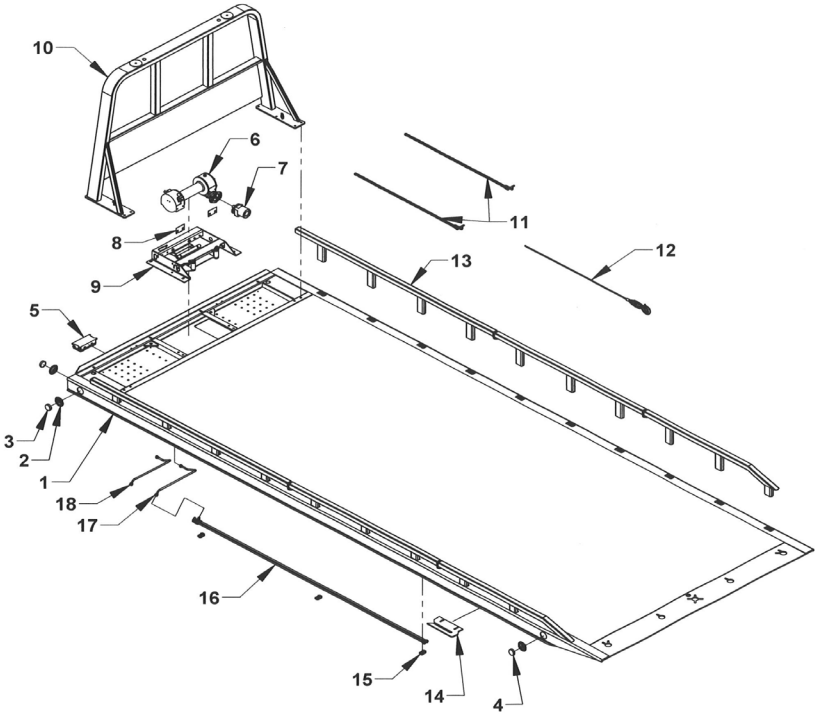
## Section VI - PARTS

### ALUMINUM BED ASSEMBLY GEN 2 REMOVABLE RAIL

REF. NO.	QTY	PART NUMBER	DESCRIPTION
1	1	30184122LXXX	S12 LCG G2 AL BED WELDMENT XXX = 200, 205, 210, 215, 220, 225
2	6	0311516	2-1/2" MARKER LIGHT GROMMET
3	4	0311513	2-1/2" AMBER MARKER LIGHT
4	2	0311512	2-1/2" RED MARKER LIGHT
5	1	0303385	10 POST JUNCTION BOX
6	1	0308698	RAMSEY 8000 LB WORM GEAR
7	1	0306157	WINCH MOTOR 5 CUBIC INCH
8	2	0701172	SPACER, WINCH BRACKET
9	1	0811139	WINCH MOUNTING FRAME
		0801482	WINCH MOUNTING FRAME
		0805037	ROLLER GUIDE ASSEMBLY/USED WITH 0801482
10	1	0809558-XX	CAB PROTECTOR XX = 48, 50, 52, 54, 57, 60, 62, 64, 68
11	1	0302493	FRONT SAFETY CHAIN ASSEMBLY - 5/16 x 8'
12	2	0301669	WINCH CABLE ASSEMBLY
13	1	34460XXF	REMOVABLE TUBE RAIL FRONT (SEE CHART)
14	2	346071M	REMOVABLE TUBE RAIL 3 POST MIDDLE
15	2	346064	REMOVABLE TUBE RAIL REAR
16	2	0306070	LYNCH PIN - 7/16 x 1-3/4
17	4	33813	ANTI-TILT PLATE
18	1	0707239	CHAINLOCK REINFORCEMENT PLATE
19	1	0751188	FLUID TUBE MOUNTING BLOCK-LOWER
20	2	363S1-XXX	SERIES 10/12/16 UNDER BODY FLUID TUBE XXX = 200, 205, 210, 215, 220, 225
21	2	0751975-R	WINCH MOTOR FLUID TUBE - RAMSEY - LONG
22	1	0751974-R	WINCH MOTOR FLUID TUBE - RAMSEY - SHORT

**Section VI - PARTS**

**STEEL BED ASSEMBLY GEN 2  
REMOVABLE TUBE RAIL**



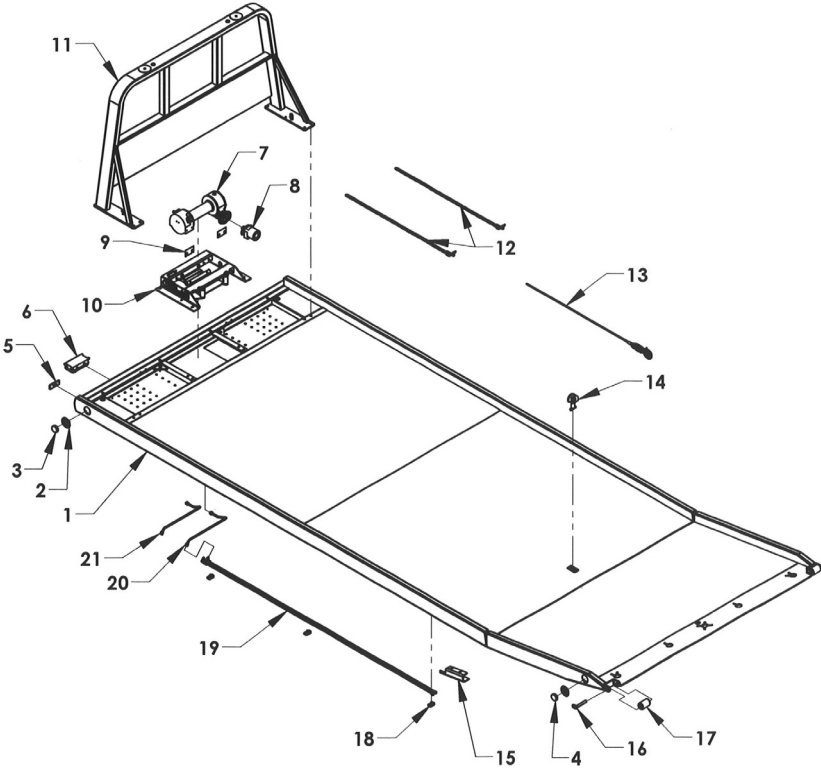
## Section VI - PARTS

### STEEL BED ASSEMBLY GEN 2 REMOVABLE RAIL

REF. NO.	QTY	PART NUMBER	DESCRIPTION
1	1	30284122LXXX	S12 LCG G2 AL BED WELDMNT XXX = 200, 205, 210, 215, 220, 225
2	6	0311516	2-1/2" MARKER LIGHT GROMMET
3	4	0311513	2-1/2" AMBER MARKER LIGHT
4	2	0311512	2-1/2" RED MARKER LIGHT
5	1	0303385	10 POST JUNCTION BOX
6	1	0308698	RAMSEY 8000 LB WORM GEAR
7	1	0306157	WINCH MOTOR 5 CUBIC INCH
8	2	0701172	SPACER, WINCH BRACKET
9	1	0811139	WINCH MOUNTING FRAME
		0801482	WINCH MOUNTING FRAME
		0805037	ROLLER GUIDE ASSEMBLY/USED WITH 0801482
10	1	0809558-XX	CAB PROTECTOR XX = 48, 50, 52, 54, 57, 60, 62, 64, 68
11	1	0302493	FRONT SAFETY CHAIN ASSEMBLY - 5/16 x 8'
12	2	0301669	WINCH CABLE ASSEMBLY
13	1	34460XXF	REMOVABLE TUBE RAIL FRONT (SEE CHART)
14	2	346071M	REMOVABLE TUBE RAIL 3 POST MIDDLE
15	2	346064	REMOVABLE TUBE RAIL REAR
16	2	0306070	LYNCH PIN - 7/16 x 1-3/4
17	4	33813	ANTI-TILT PLATE
18	1	0751188	FLUID TUBE MOUNTING BLOCK-LOWER
19\	2	363S1-XXX	SERIES 10/12/16 UNDER BODY FLUID TUBE XXX = 200, 205, 210, 215, 220, 225
20	2	0751975-R	WINCH MOTOR FLUID TUBE - RAMSEY - LONG
21	1	0751974-R	WINCH MOTOR FLUID TUBE - RAMSEY - SHORT

**Section VI - PARTS**

**STEEL BED ASSEMBLY  
GEN 2 SERIES 12 RIGHT APPROACH**



## Section VI - PARTS

### STEEL BED ASSEMBLY GEN 2 SERIES 12 RIGHT APPROACH

REF. NO.	QTY	PART NUMBER	DESCRIPTION
1	1	3028122RXXX	S12 G2 RA STEEL BED WELDMENT XXX = 200, 205, 210, 215, 220, 225
2	2	0311516	2-1/2" MARKER LIGHT GROMMET
3	2	0311513	2-1/2" AMBER MARKER LIGHT
4	2	0311512	2-1/2" RED MARKER LIGHT
5	1	0308360	RECT. REFLECTIVE LIGHT 4-3/8 x 1-1/2 AMBER
6	1	0303385	10 POST JUNCTION BOX
7	1	0308698	RAMSEY 8000 LB WORM GEAR
8	2	0306147	WINCH MOTOR 5 CUBIC INCH
9	1	0701172	SPACER, WINCH BRACKET
10	1	0811139	WINCH MOUNTING FRAME
		0801482	WINCH MOUNTING FRAME
		0805037	ROLLER GUIDE ASSEMBLY/USED WITH 0801482
11	1	0809558-XX	CAB PROTECTOR XX = 48, 50, 52, 54, 57, 60, 62, 64, 68
12	1	0302493	FRONT SAFETY CHAIN ASSEMBLY - 5/16 x 8'
13	1	0301669	WINCH CABLE ASSEMBLY
14	2	0805324	CABLE GUIDE WELDMENT (HOOK STYLE)
15	2	0750465	ANTI-TILT PLATE RP
16	3	0806252	ROLLER TIP WHEEL KEEPER PIN
17	2	0721483	ROLLER
18	1	0751188	FLUID TUBE MOUNTING BLOCK-LOWER
19	1	383S1-XXX	SERIES 10/12/16 UNDER BODY FLUID TUBE XXX = 200, 205, 210, 215, 220, 225
20	1	0751975-R	WINCH MOTOR FLUID TUBE - RAMSEY - LONG
21	1	0751974-R	WINCH MOTOR FLUID TUBE - RAMSEY - SHORT



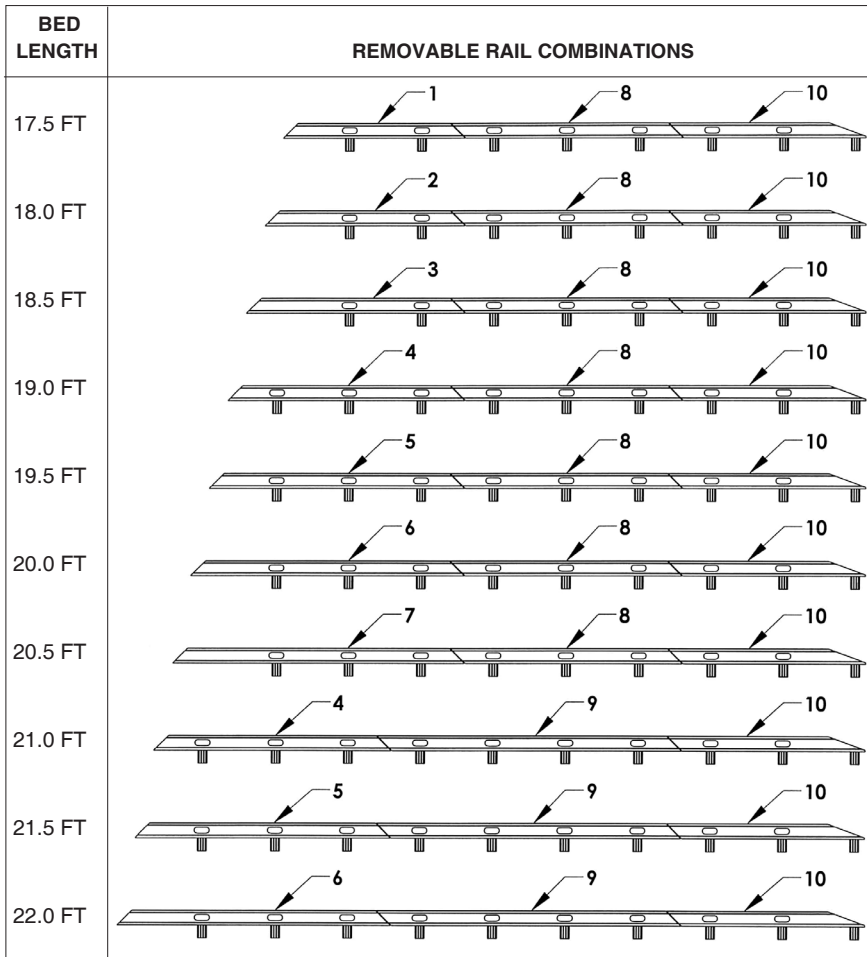
## Section VI - PARTS

### REMOVABLE TUBE SIDE RAILS

ASSEMBLY #	BED LENGTH	REMOVABLE TUBE SIDE RAIL COMBINATIONS
09009171-190	19 TO 20.5 FT	
09009171-210	21 TO 22 FT	

REF	PART #	DESCRIPTION	QPU
1	346071F	FRONT REMOVABLE TUBE RAIL - 3 POST	SEE CHART
2	346095F	FRONT REMOVABLE TUBE RAIL - 4 POST	SEE CHART
3	346071M	MIDDLE REMOVABLE TUBE RAIL - 3 POST	SEE CHART
4	346064	REAR REMOVABLE TUBE RAIL - 3 POST	SEE CHART
5	0306070	LYNCH PIN - 7/16 x 1-3/4 IN.	SEE CHART

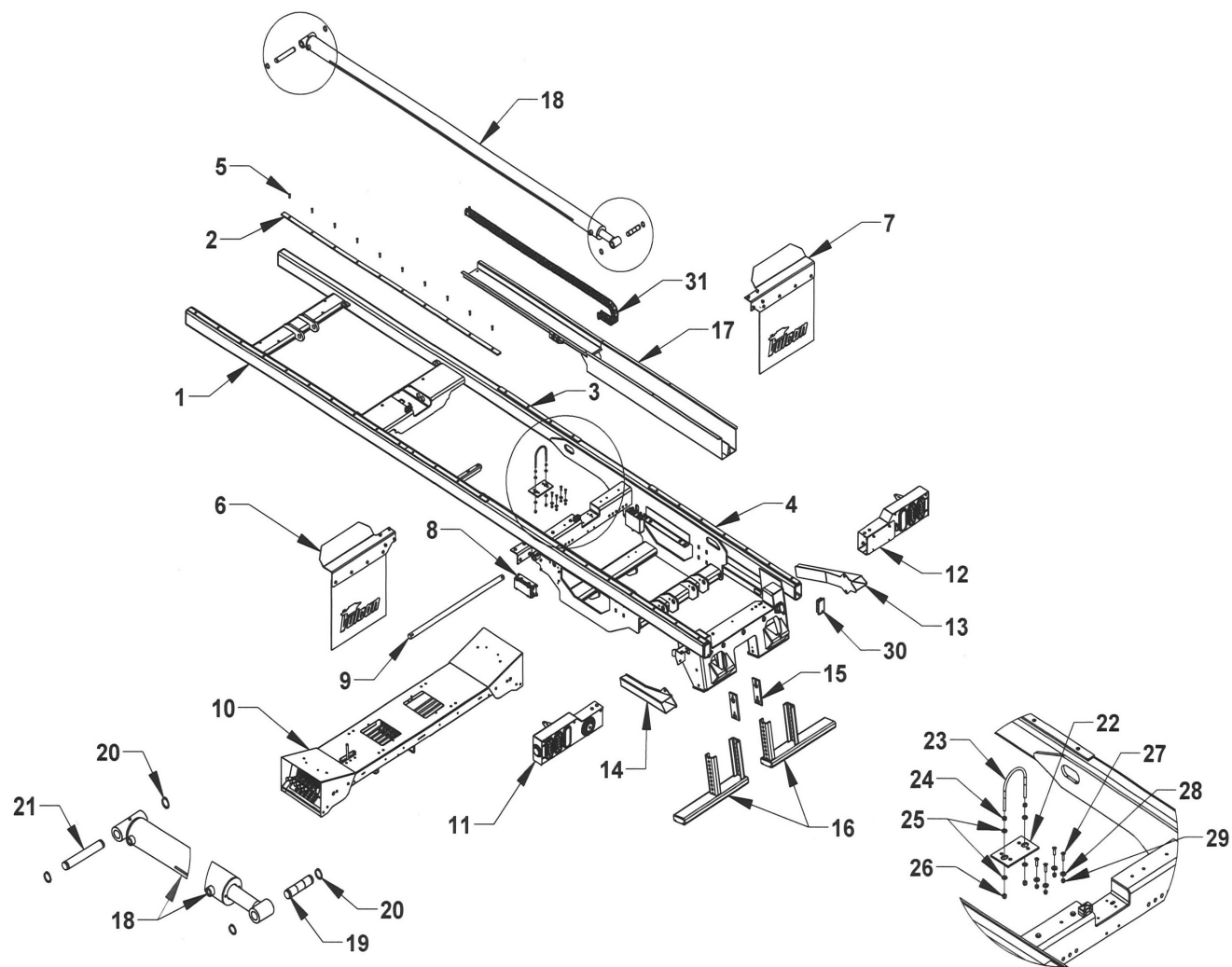
## Section VI - PARTS REMOVABLE BLADE SIDE RAILS



REF	PART #	DESCRIPTION	QPU
1	34B060FL	FRONT REMOVABLE BLADE RAIL - 2 POST	SEE CHART
2	34B066FL	FRONT REMOVABLE BLADE RAIL - 2 POST	SEE CHART
3	34B072FL	FRONT REMOVABLE BLADE RAIL - 2 POST	SEE CHART
4	34B078FL	FRONT REMOVABLE BLADE RAIL - 3 POST	SEE CHART
5	34B084FL	FRONT REMOVABLE BLADE RAIL - 3 POST	SEE CHART
6	34B090FL	FRONT REMOVABLE BLADE RAIL - 3 POST	SEE CHART
7	34B096FL	FRONT REMOVABLE BLADE RAIL - 3 POST	SEE CHART
8	34B072ML	MIDDLE REMOVABLE BLADE RAIL - 3 POST	SEE CHART
9	34B096ML	MIDDLE REMOVABLE BLADE RAIL - 4 POST	SEE CHART
10	34B064RL	REAR REMOVABLE BLADE RAIL - 3 POST	SEE CHART

# Section VI - PARTS

## 12 SERIES GEN 2 LCG SUBFRAME COMPONENTS



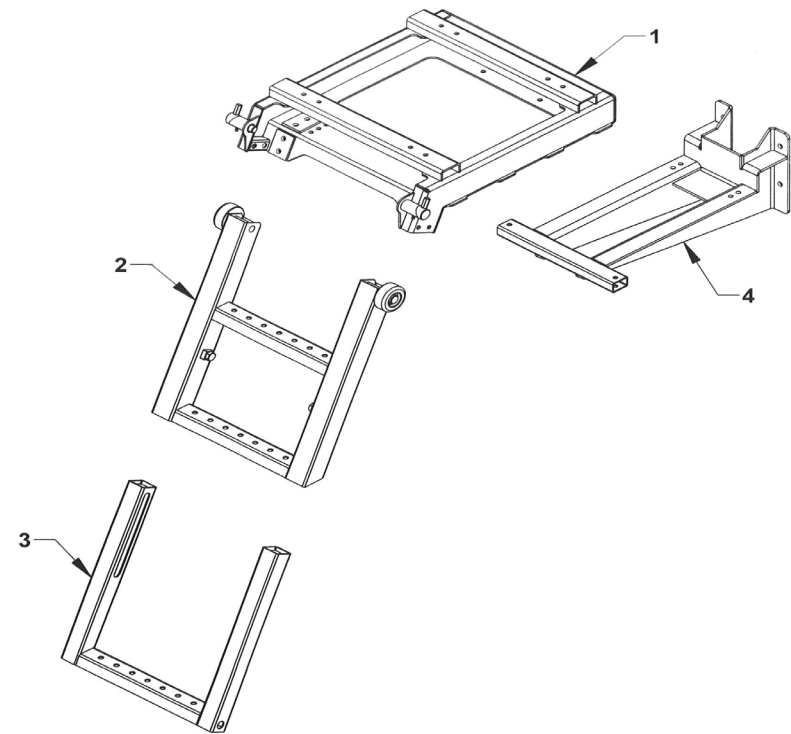
## Section VI - PARTS

### 12 SERIES GEN 2 LCG SUBFRAME ASSEMBLY

REF NO.	NO REQ'D	PART NUMBER	DESCRIPTION
1	1	0809839	G2 SUBFRAME WELDMNT
2	2	0308928-96	SUBFRAME BEARING PAD 5/16 x 1-1/2 x 96
3	2	0308928-36	SUBFRAME BEARING PAD 5/16 x 1-1/2 x 36
4	2	0308928-66N	NYLATRON SUBFRAME BEARING PAD 5/16 x 1-1/2 x 66
5	42	04000321	BOLT 5/16 -18 x 1-1/4 COUNTERSUNK TORX ST
6	1	0751024L	ALUM SPLASH GUARD LEFT REAR RIGHT FRONT
7	1	0751024R	ALUM SPLASH GUARD RIGHT REAR LEFT FRONT
8	1	0303385	10 POST JUNCTION BOX
9	1	0750952	S12 LCG HINGE PIN
10	1	183126	6-SPOOL CONTROL STATION
11	1	0940325L	VULCAN TAIL LIGHT HOUSING GROUP - LEFT
12	1	0940325R	VULCAN TAIL LIGHT HOUSING GROUP - RIGHT
13	1	0809287R	L-ARM STORAGE TUBE SLIDE-IN 4K RT (STANDARD)
	1	160540R	L-ARM STORAGE TUBE SCOOP 4K RT (OPTIONAL)
	1	160535R	L-ARM STORAGE TUBE DROP-IN 4K RT (OPTIONAL)
14	1	0809287L	L-ARM STORAGE TUBE SLIDE-IN 4 LT (STANDARD)
	1	160540L	L-ARM STORAGE TUBE SCOOP 4K LT (OPTIONAL)
	1	160535L	L-ARM STORAGE TUBE DROP-IN 4K LT (OPTIONAL)
15	2	0750409	STABILIZER WHEEL LIFT GUIDE PAD
16	2	160525	STABILIZER EXTENSION STAND-LOW PROFILE
17	1	0809824	LCG DUAL BAY HOSE TRAY
18	1	72A35120	SLIDEBACK CYLINDER 3.5 BORE x 120 STROKE
19	1	32117	SLIDEBACK CYLINDER MOUNTING PIN 1.230
20	4	86125E	1-1/4 SNAP RING - EXTERNAL
21	1	13302010	S12 LCG SLIDEBACK CYLINDER MOUNTING PIN
22	1	0751223	LCG 12/16/20 S/B CYLINDER SUPPORT PAD
23	1	81286	U-BOLT 3/8-16 UNC
24	2	0400394	3/8 HEX NUT
25	4	0400480	3/8 FLAT WASHER
26	2	0400392	NYLON LOCK NUT 3/8-16 UNC
27	4	0403162	BOLT 5/16-18 UNC - ALLEN COUNTERSUNK
28	4	0400465	5/16 FLAT WASHER
29	4	0400382	NYLON LOCK NUT 5/16-18 UNC
30	2	0308748	5 x 3 x 5/16 SUBFRAME TUBE PLUG
31	1	09006108	IGUS TRACK AND BOLT KIT

## Section VI - PARTS

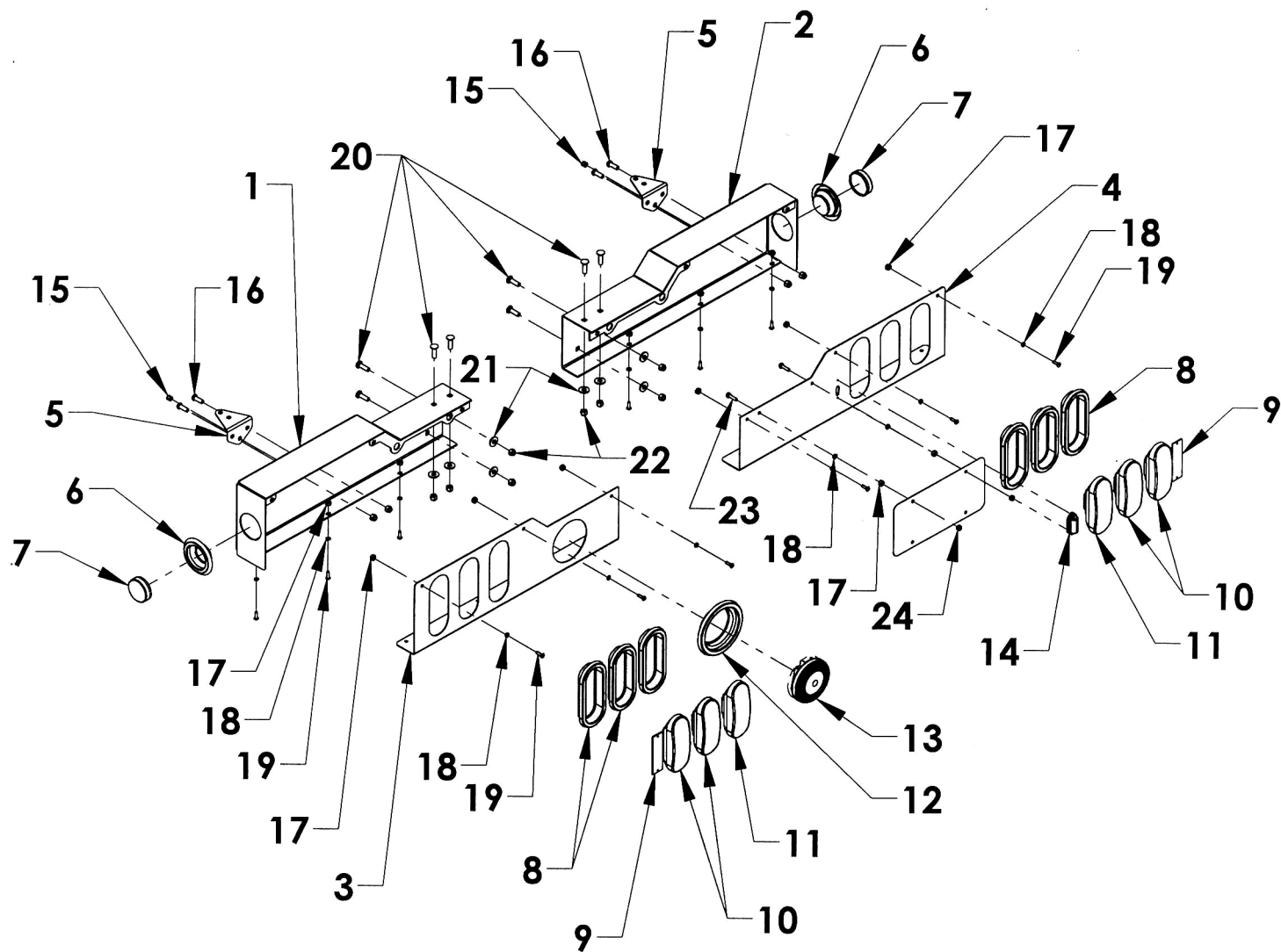
### LCG RETRACTABLE LADDER



REF	PART #	DESCRIPTION	QPU
	391000	LADDER ASSEMBLY	1
1	391010	LADDER CARRIAGE	1
2	391020	UPPER RUNG ASSEMBLY	1
3	391030	LOWER RUNG ASSEMBLY	1
4	391050	FRAME MOUNTING BRACKET - OPTIONAL	1

Section VI - PARTS

12 SERIES LCG TAIL LIGHT COMPONENTS



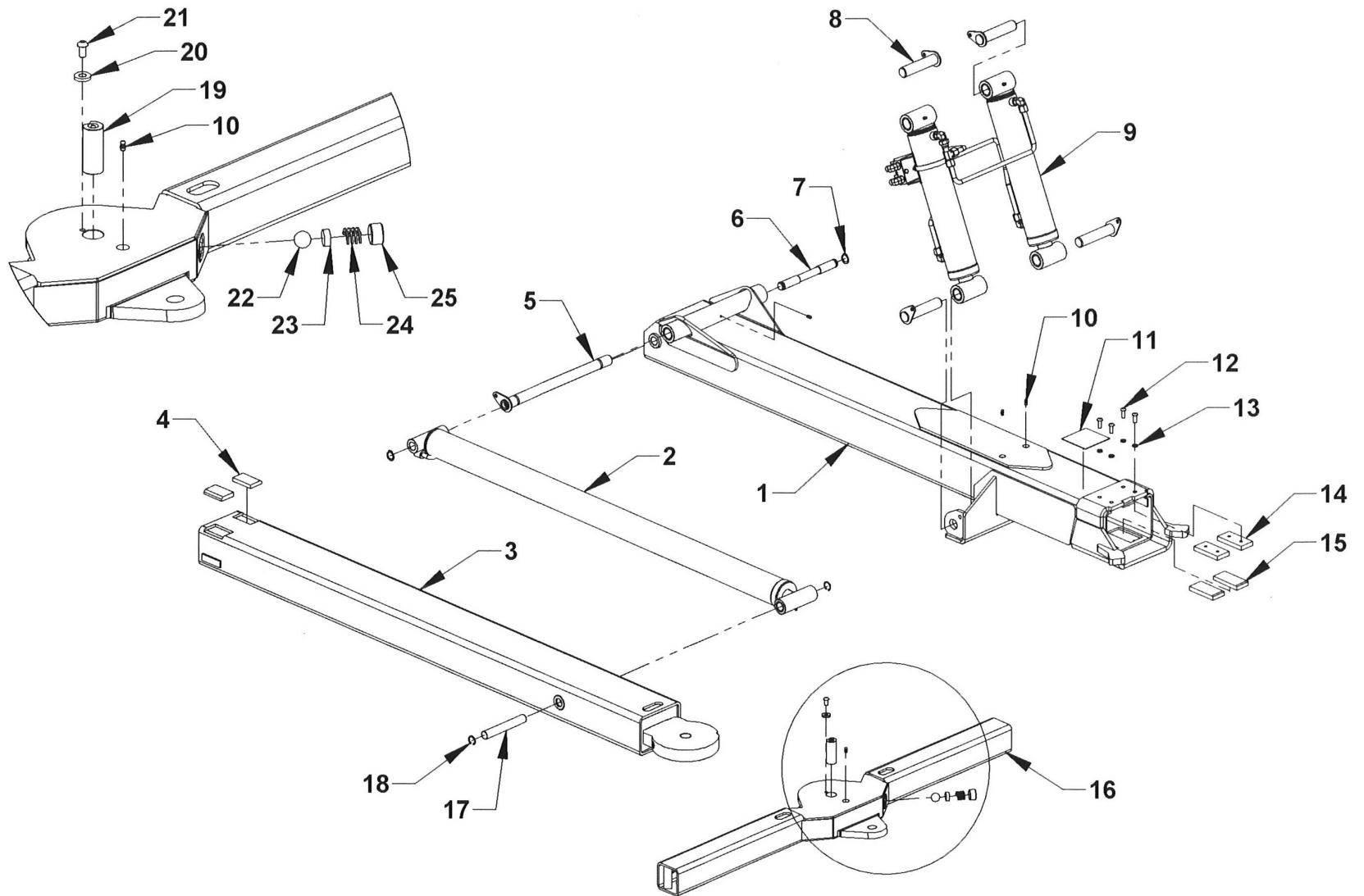
## Section VI - PARTS

### 12 SERIES LCG GEN2 TAIL LIGHT COMPONENTS

REF. NO.	NO. REQ'D	PART NUMBER	DESCRIPTION
1	1	0809517L	TAIL LIGHT HOUSING WELDMENT - LEFT
2	1	0809517R	TAIL LIGHT HOUSING WELDMENT - RIGHT
3	1	0751893L	12/16/20 LCG TAIL LIGHT BEZEL - LEFT G2
4	1	0751893R	12/16/20 LCG TAIL LIGHT BEZEL - RIGHT G2
5	2	0750672	WORK LIGHT MOUNTING BRACKET
6	2	0311516	2-1/2 IN. MARKER LIGHT GROMMET
7	2	0311512	2-1/2 IN. RED MARKER LIGHT
8	4	0311503	6 IN. OVAL GROMMET
9	4	0311529	REFLECTOR - RED 4.375 x 1.5
10	2	0311498	6 IN. OVAL RED LIGHT
11	2	0311500	6 IN. OVAL REVERSE LIGHT
12	1	0311528	BACK UP ALARM GROMMET
13	1	0306385	BACK UP ALARM
14	1	0311525	LICENSE PLATE LIGHT
15	2	0306050	TAIL LIGHT WIRE GROMMET
16	4	0400126	BOLT, HHCS 3/8-16 UNC x 1
17	14	0400452	LOCK WASHER - 1/4
18	12	0400071	BOLT, RHMS 1/4-20 UNC x 3/4
19	14	0400366	HEX NUT 1/4-20 UNC
20	8	0400156	BOLT, CARRIAGE 3/8-16 UNC x 1-1/4 SS
21	8	0400480	FLAT WASHER - 3/8
22	12	0400392	NYLON LOCK NUT 3/8-16 UNC
23	2	0403043	BOLT, HHCS 1/4-20 UNC x 1
24	2	0400367	NYLON LOCK NUT 1/4-20 UNC

Section VI - PARTS

4,000 LB. WHEEL LIFT  
GEN 2 LCG



## Section VI - PARTS

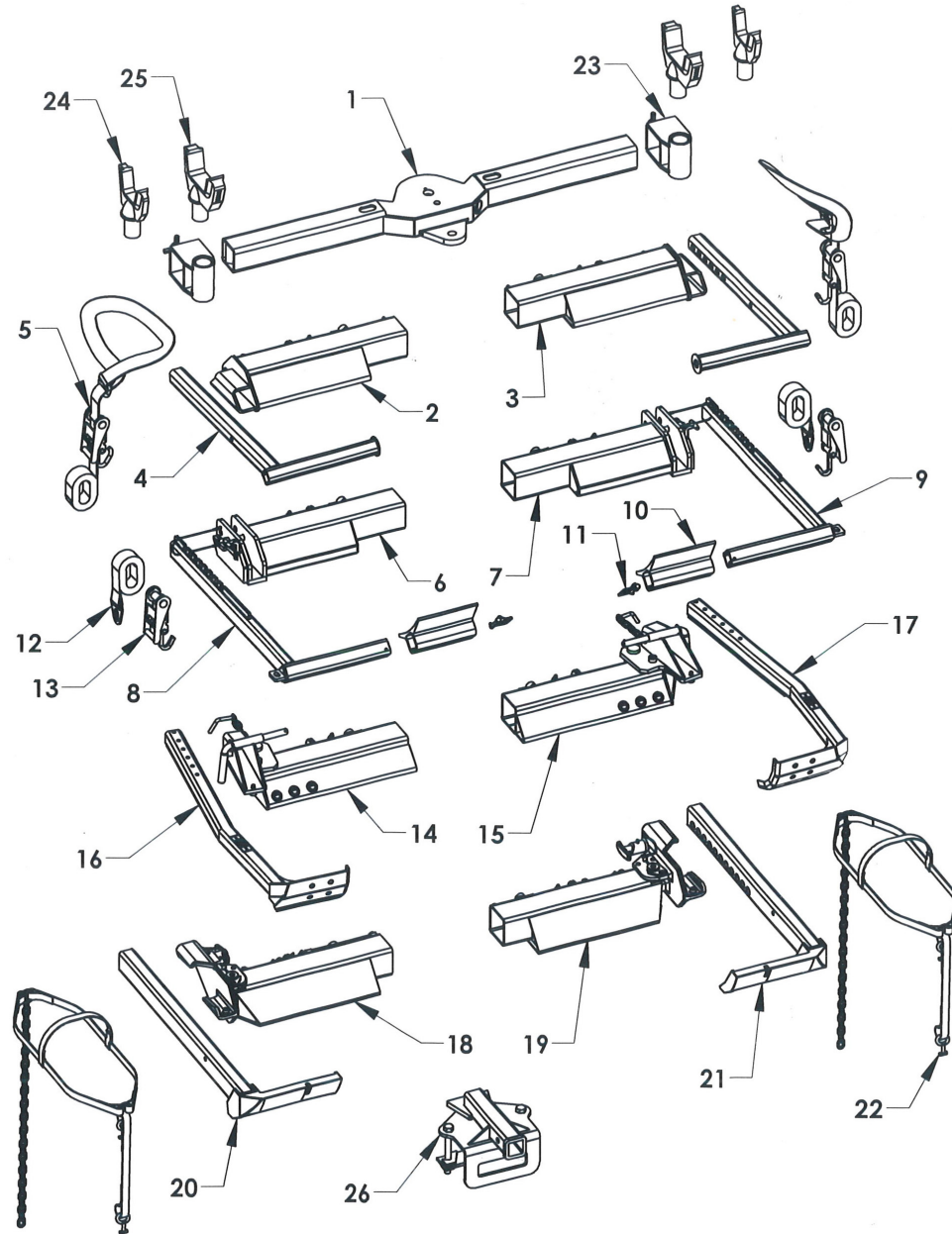
### 4,000 LB. WHEEL LIFT - GEN 2

REF. NO.	NO. REQ'D	PART NUMBER	DESCRIPTION
1	1	10270408	UNDERLIFT OUTER BOOM TUBE - 4K
2	1	72A30054	UNDERLIFT EXTEND CYLINDER 3.0 x 54
3	1	0811159	UNDERLIFT INNER BOOM TUBE 4K
4	2	65613	WEAR PAD 1/2 x 2 x 3
5	1	0809411U	WHEEL LIFT BOOM HINGE PIN
6	1	729352	PIN-CARRIER W/L EXTEND CYLINDER BASE
7	2	86100E	SNAP RING 1" EXTERNAL
8	4	14710	KEEPER PIN 1.23 x 4.50
9	1	72A33013G	UNDERLIFT CYLINDER FLUID TUBE GROUP
10	4	0300113	GREASE FITTING 1/4-28
11	1	0540041	UNDERLIFT RATING PLATE 4K
12	4	0403139	BOLT BHCS 3/8-16 UNC x 1
13	4	0400482	LOCK WASHER 3/8
14	2	63595H	WEAR PAD NYLATRON NSM 1/2 x 2 x 4 W/HOLES
15	2	63959	WEAR PAD NYLATRON NSM 1/2 x 2 x 4
16	1	0800060	CROSSBAR 4K (3.5 x 3.5)
17	1	72940	CYLINDER PIN 0.980 x 6.625
18	2	86100I	SNAP RING 1" INTERNAL
19	1	0940433	CROSSBAR PIVOT PIN
20	1	0720463	WASHER PIVOT PIN RETAINER 3/8
21	1	0403004	BOLT BHSC 3/8-16 UNC x 3/4
22	1	0308129	DETENT BALL 1"
23	1	07003396	SPACER CROSSBAR DETENT
24	1	0308131	SPRING CROSSBAR DETENT
25	1	0308130	PLUG CROSSBAR DETENT



Section VI - PARTS

WHEEL-LIFT CROSSBAR ATTACHMENTS



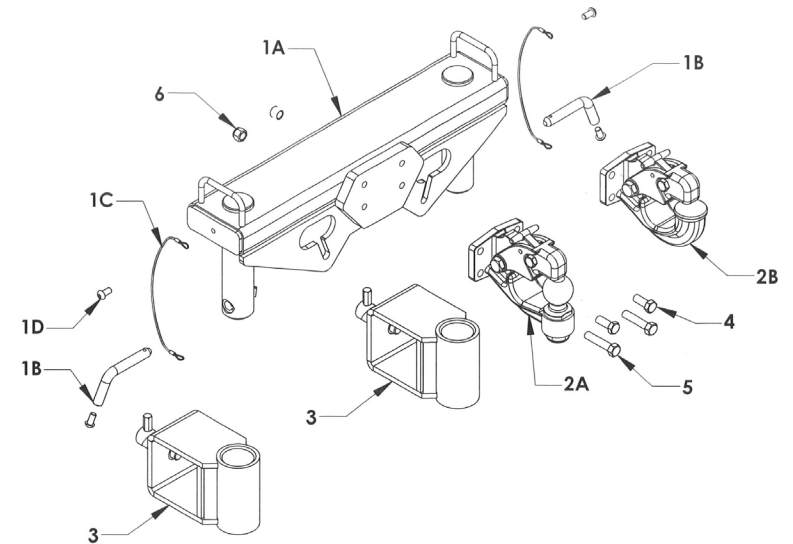
## Section VI - PARTS

### WHEEL LIFT CROSSBAR ATTACHMENTS

REF NO.	NO REQ'D	PART NUMBER	DESCRIPTION
1	1	0811160	CROSSBAR 4K (3.5 x 3.5)
2	1	0809283L	4-INCH WHEEL GRID - LH
3	1	0809284R	4-INCH WHEEL GRID - RH
4	2	08006748	STEEL L-ARM 4000 LB
5	2	0308664	STRAP AND RATCHET PIVOT ASSEMBLY
6	1	0940434L	WHEEL GRID (DROP-IN L-ARM) - LEFT
7	1	0940434R	WHEEL GRID (DROP-IN L-ARM) - RIGHT
8	1	65250L	4000 LB L-ARM - LEFT
9	1	65250R	4000 LB L-ARM - RIGHT
10	2	65245	REMOVABLE PAN (CHEVRON)
11	2	84911	SAFETY PIN, 5/16 (CHEVRON)
12	2	65285	WHEEL STRAP WITH D-RING
13	2	65280A	RATCHET AND HOOK
14	1	8800800	LH WHEEL GRID
15	1	8800900	RH WHEEL GRID
16	1	8700190	LH WHEEL RETAINER
17	1	8700180	RH WHEEL RETAINER
18	1	0909499L	WHEEL GRID 3WP - LEFT
19	1	0909499R	WHEEL GRID 3WP - RIGHT
20	1	0803648	3-WAY PIVOT L-ARM - LEFT
21	1	0803649	3-WAY PIVOT L-ARM - RIGHT
22	2	0902382	BASKET TIRE STRAP - SMALL-MEDIUM YELLOW
	2	65287	BASKET TIRE STRAP - MEDIUM-LARGE, BLUE
23	2	65460	3-1/2 INCH FORK HOLDER
24	2	663530	FRAME FORK, 3 INCH CAST
25	2	663545	FRAME FORK SHORT, 4-1/2 INCH CAST
26	1	0940458	REESE HITCH RECEIVER, COMMON GEN2

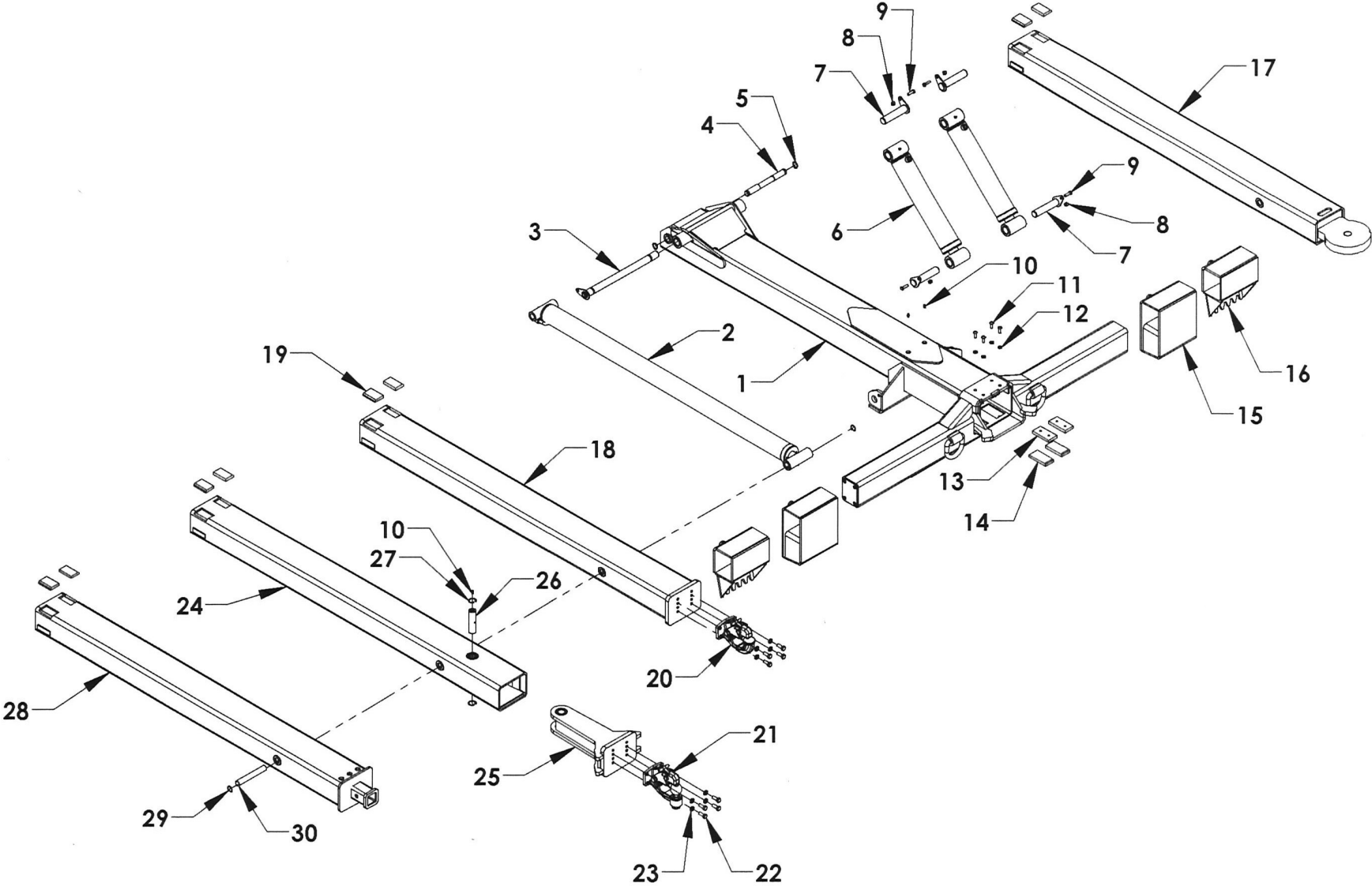
## Section VI - PARTS

### PINTLE ATTACHMENT GROUP



REF	PART #	DESCRIPTION	QPU
1A	66370	PINTLE ATTACHMENT	1
1B	66378	RETAINING PIN	2
1C	65292	LANYARD	2
1D	0403004	BOLT BHCS 3/8-16 x 3/4	4
2A	A3020	TOW BALL PINTLE HITCH	1
2B	A3020H	PINTLE HOOK	1
3	66280	FORK HOLDER - 4 IN. CROSSBAR	2
	65460	FORK HOLDER - 3-1/2 IN. CROSSBAR	2
4	04000005	BOLT 1/2-13 X 1.25 GRADE 8 SECURE WITH LOCTITE	2
5	0403056	BOLT 1/2-13 X 2-1/2 GRADE 8	2
6	0400408	NUT, NYLOK 1/2-13	2

**Section VI - PARTS**  
**4,000 LB. UNDERLIFT**  
**GEN 2 LCG**



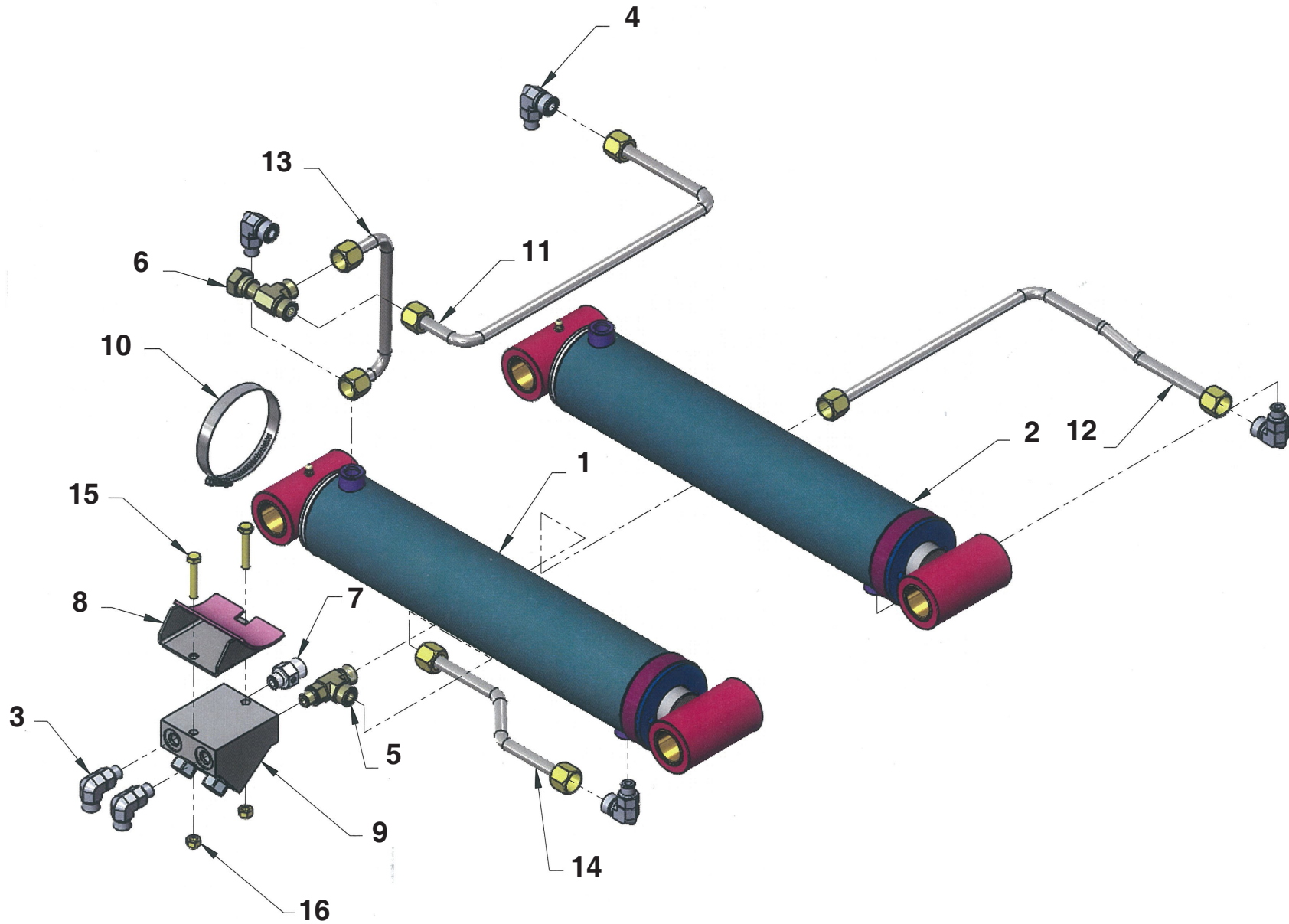
## Section VI - PARTS

### 4,000 LB. UNDERLIFT - GEN 2

REF. NO.	QTY	PART NUMBER	DESCRIPTION
1	1	10270408DS	WHEEL LIFT OUTER BOOM TUBE
2	1	72A30054	WL EXTEND CYLINDER 3.0 BORE x 54 STROKE
3	1	0809411U	WHEEL LIFT BOOM HINGE PIN
4	1	729352	PIN - WHEEL LIFT EXTEND CYLINDER BASE
5	2	86100E	SNAP RING 1' EXTERNAL
6	2	72A33013	LIFT CYLINDER 3.25 BORE x 13 STROKE
7	4	14710	KEEPER PIN 1.23 x 4.50
8	4	0400392	NYLON LOCK NUT 3/8-16 UNC
9	4	0400122	BOLT, HHCS 3/8-16 UNC x 1-1/4
10	3	7B130	GREASE FITTING 1/4-28
11	4	0403139	BOLT, BHCS 3/8-16 UNC x 1
12	4	0400482	LOCK WASHER 3/8
13	2	63595H	WEAR PAD NYLATRON NSM 1/2 x 2 x 4 W/HOLES
14	2	63595	WEAR PAD NYLATRON NSM 1/2 x 2 x 4
15	2	0809898-54	DOCK STABILIZER EXTENSION STAND (OPT)
16	2	0809646-54	DOCK STABILIZER SPADE (OPT)
17	1	0811159	4K INNER BOOM TUBE
18	1	10244P	4K INNER PINTLE BOOM TUBE
19	2	65613	WEAR PAD 1/2 x 2 x 3 NSM BEVELED
20	1	A3020H	PINTLE HOOK ATTACHMENT
21	1	A3020	PINTLE BALL ATTACHMENT
22	4	0400177	BOLT, HEX 1/2-13 UNC x 1-1/4
23	4	0400491	WASHER 1/2 LOCK
24	1	102404-PP	4K INNER BOOM-PIVOTING PINTLE
25	1	143355	PIVOTING PINTLE HEAD WELDMENT - 4K
26	1	143142PP	PIN - PIVOTING PINTLE HEAD 4K
27	2	86125I	SNAP RING 1-1/4 INTERNAL
28	1	10244R	4K INNER BOOM - REESE RECEIVER
29	2	86100I	SNAP RING 1" INTERNAL
30	1	72940	CYLINDER PIN

Section VI - PARTS

UNDERLIFT CYLINDER FLUID TUBE GROUP



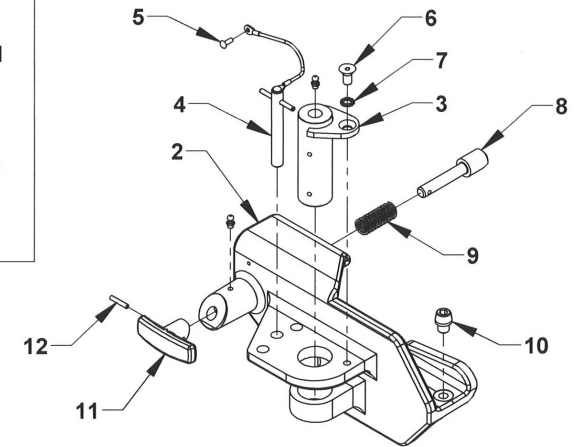
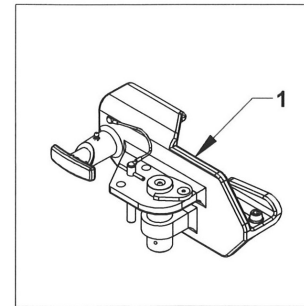
## Section VI - PARTS

### UNDERLIFT CYLINDER FLUID TUBE GROUP

REF. NO.	QTY	PART NUMBER	DESCRIPTION
1	1	72A33013	LIFT CYLINDER 3.25 x 1.75 x 13.00
2	1	72A39013	LIFT CYLINDER 3.25 x 1.75 x 13.00
3	2	ADPTR-FF1868T0606S	ADAPTOR 90 ORS/ORB 6 x 6
4	4	ADPTR-FF1868T0806S	ADAPTOR 90 ORS/ORB 8 x 6
5	1	ADPTR-FF1865T0806S	ADAPTOR TEE ORS/ORS/ORB 8 x 8 x 6
6	1	ADPTR-FF2114T0808S	ADAPTOR TEE ORS 8 x 8
7	1	ADPTR-FF1852T0806	ADAPTOR STRAIGHT ORS/ORB 8 x 6
8	1	0809875-325	UNDERLIFT VALVE MOUNTING BRACKET
9	1	74345	DUAL COUNTERBALANCE VALVE CBCG-XVN
10	1	85164	HOSE CLAMP 3-3.5 STAINLESS 316
11	1	72H33013L2	UNDERLIFT FLUID TUBE ASSEMBLY - LEFT
12	1	72H33013L1	UNDERLIFT FLUID TUBE ASSEMBLY - LEFT
13	1	72H33013R2	UNDERLIFT FLUID TUBE ASSEMBLY - RIGHT
14	1	72H33013R1	UNDERLIFT FLUID TUBE ASSEMBLY - RIGHT
15	2	0400824	5/16 x 1-3/4 HEX BOLT
16	2	0400382	NYLON LOCK NUT 5/16-18 UNC

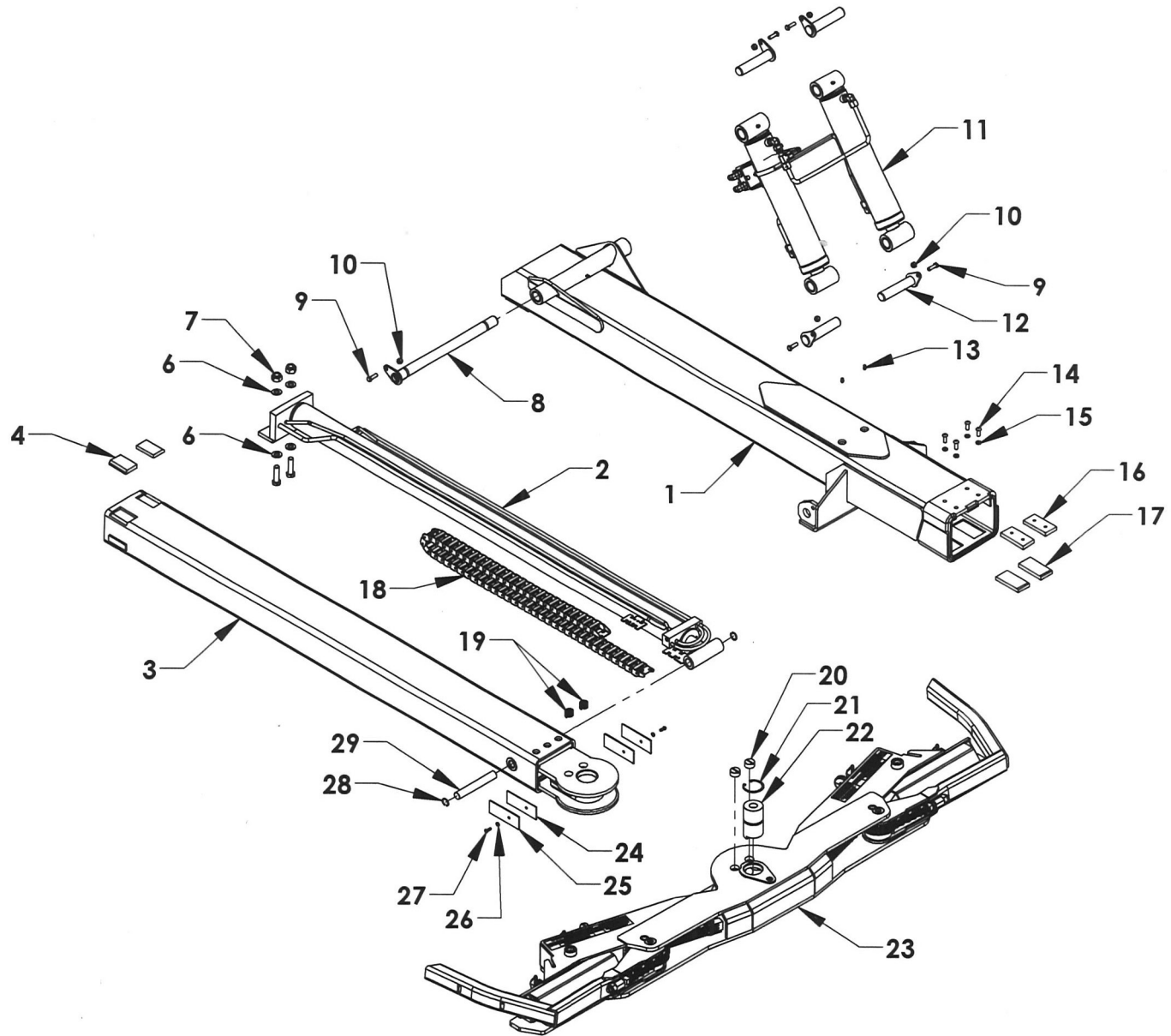
## Section VI - PARTS

### PIVOT L-ARM RECEIVER GROUP



REF. NO.	NO. REQ'D	PART NUMBER	DESCRIPTION
1	1	09007328L	PIVOT L-ARM RECEIVER GROUP-LEFT
		09007328R	PIVOT L-ARM RECEIVER GROUP-RIGHT
2	1	0719079	PIVOT L-ARM RECEIVER CASTING-LEFT
		0719080	PIVOT L-ARM RECEIVER CASTING-RIGHT
3	1	0802187	L-ARM RECEIVER CASTING PIVOT PIN
4	1	0904744	PIN ASSEMBLY
	1	0714415	PIVOT LOCK PIN
	1	0303918	LANYARD
	1	0400044	DRIVE SCREW #10-24 x 1/2 ROUND HEAD
5	1	0400044	DRIVE SCREW #10-24 x 1/2 ROUND HEAD
6	1	0400349	SCREW 3/8-16 x 1/2 FHSC
7	1	0400481	LOCK WASHER 3/8 EXTERNAL TOOTH
8	1	0707505	7/8 CAM PIN
9	1	0302641	CAM PIN SPRING
10	1	0712933	SCREW 1/2-13 x 1/2 TAPERED SOCKET CAP
11	1	0302648	T-HANDLE
12	1	0400559	ROLL PIN 3/16 -1

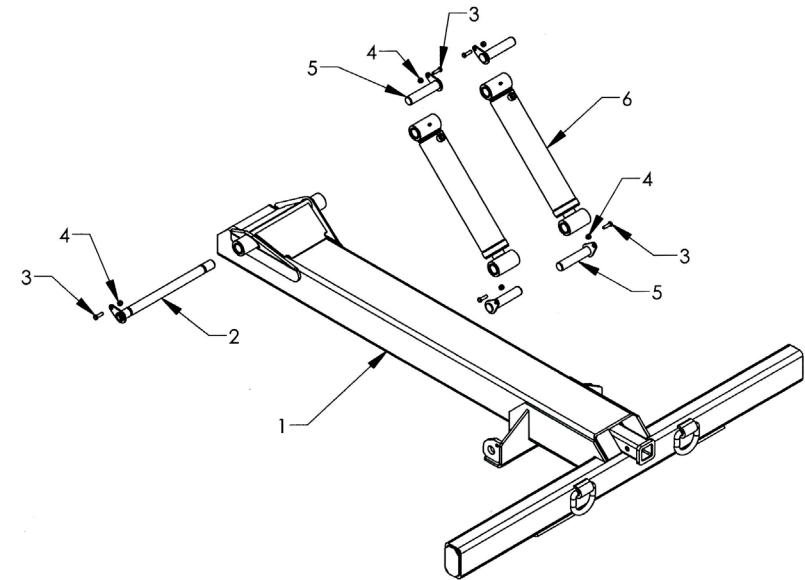
Section VI- PARTS  
AUTOGRIP WHEEL LIFT



**Section VI- PARTS**  
**AUTOGRIP WHEEL LIFT**

REF NO.	NO REQ'D	PART NUMBER	DESCRIPTION
1	1	10270410	AUTOGRIP OUTER BOOM TUBE - GEN2 LCG 4K
2	1	72136	AUTOGRIP EXTEND CYLINDER - CARRIER
3	1	102522	AUTOGRIP INNER TUBE GEN2
4	2	65612	WEAR PAD 1/2 x 2 x 3 NSM BEVELED
5	2	0403141	BOLT HHCS 5/8-11 UNC x 2-1/4
6	4	0400505	FLAT WASHER 5/8
7	2	0400426	NYLON LOCK NUT 5/8-11 UNC
8	1	0809411U	WHEEL LIFT BOOM HINGE PIN
9	5	0400122	BOLT, HHCS 3/8-16 UNC x 1-1/4
10	5	0400392	NYLON LOCK NUT 3/8-16 UNC
11	2	72A33013	LIFT CYLINDER 3.25 x 1.75 x 13.00
12	4	14710	KEEPER PIN 1.23 x 4.50
13	2	0300113	GREASE FITTING 1/4-28 UNF
14	4	0403139	BOLT, BHCS 3/8-16 UNC x 1
15	4	0400482	LOCK WASHER 3/8"
16	2	63595H	WEAR PAD NYLATRON NSM 1/2 x 2 x 4 WITH HOLES
17	2	63595	WEAR PAD NYLATRON NSM 1/2 x 2 x 4
18	1	69757	AUTOGRIP HOSE TRACK 58 LINKS
19	2	69320	AUTOGRIP DETENT SPRING GEN2
20	2	643272	AUTOGRIP DETENT SCREW GEN2
21	1	86250I	SNAP RING 2-1/2" INTERNAL
22	1	644402	AUTOGRIP CROSSBAR PIVOT PIN GEN2
23	1	644002CG	AUTOGRIP CROSSBAR GEN2
24	2	64304R	RUBBER GASKET FOR 64304C
25	2	64304C	HOSE CLAMP FOR SIDE OF AUTOGRIP II YOKE
26	2	0400452	LOCK WASHER 1/4"
27	2	0403142	BOLT, BUTTON HEAD 1/4-20 x 3/4
28	2	86100I	SNAP RING 1" INTERNAL
29	1	72940	CYLINDER PIN 0.980 x 6-5/8

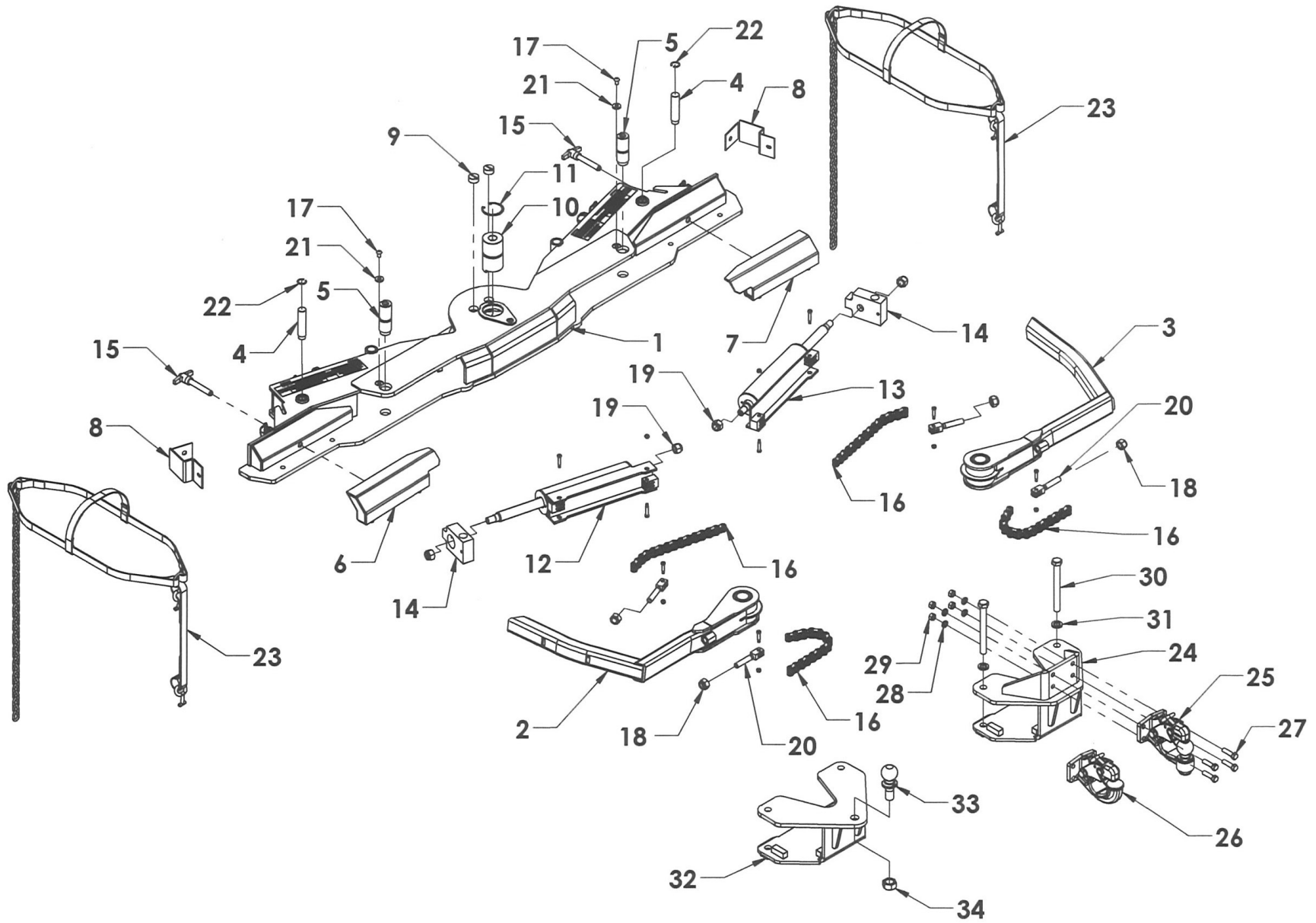
**Section VI - PARTS**  
**DOCK STABILIZER**



REF NO.	NO REQ'D	PART NUMBER	DESCRIPTION
1	1	0810010-12	DOCK STABILIZER WELDMENT
2	1	0809411U	WHEEL LIFT BOOM HINGE PIN
3	5	0400122	BOLT HHCS, 3/8-16 UNC x 1-1/4
4	5	0400392	NYLON LOCK NUT, 3/8-16 UNC
5	4	14710	KEEPER PIN 1.23 x 5.50
6	2	72A33013	LIFT CYLINDER 3/25 x 1.75 x 13.0



Section VI - PARTS  
AUTOGRIP II COMPONENTS

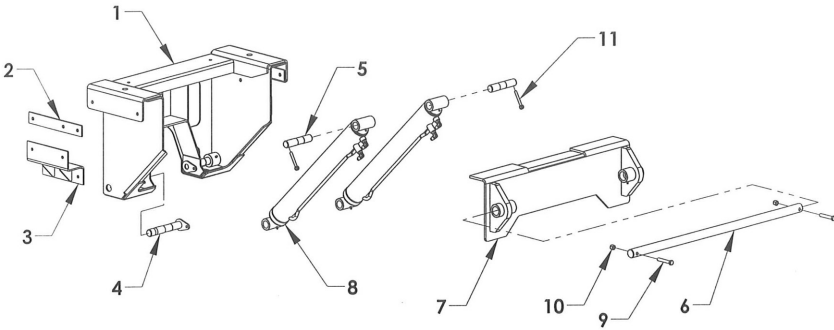


## Section VI - PARTS AUTOGRIP II COMPONENTS

REF NO.	NO REQ'D	PART NUMBER	DESCRIPTION
1	1	644002	CROSSBAR WELDMENT
2	1	644352L	WHEEL RETAINER - LEFT
3	1	644352R	WHEEL RETAINER - RIGHT
4	2	644432	WHEEL RETAINER CYLINDER PIN
5	2	644452	ARM PIVOT PIN
6	1	697402L	WHEEL SPACER - LEFT
7	1	697402R	WHEEL SPACER - RIGHT
8	2	644292	HOSE GUARD
9	2	64327	SCREW-PLUG CROSSBAR DETENT
10	1	644402	CROSSBAR PIN
11	1	862501	SNAP RING 2.500 INCH INTERNAL
12	2	720152L	WHEEL RETAINER CYLINDER - LEFT
13	2	720152R	WHEEL RETAINER CYLINDER - RIGHT
14	2	727162	L-ARM CYLINDER END BLOCK
15	2	84921	T-PIN 5/8 x 3
16	4	87440	AUTOGRIP ARM CHAIN
	4	0403163	5/16 x 1-1/4 SHOULDER SHCS 1/4-20 UNC
	4	0400367	1/4-20 UNC NYLON LOCK NUT
17	2	0403161	3/8-15 x 5/8 ALLEN BOLT
18	4	0400421	5/8-11 NYLON LOCK NUT
19	2	0400430	3/4-10 NYLON LOCK NUT
20	4	64441	CHAIN CLEVIS
	4	0403164	5/16 x 1 SHOULDER SHCS 1/4-20 UNC
	4	0400367	1/4-20 UNC NYLON LOCK NUT
21	2	0400480	5/16 FLAT WASHER
22	2	861001	SNAP-RING 1.000 INCH INTERNAL
23	2	0902382	1 INCH NYLON POLY-COAT BASKET STRAP
	2	65287	BASKET TIRE STRAP - MEDIUM-LARGE BLUE
24	1	694520	AUTOGRIP PINTLE ADAPTOR (OPTIONAL)
25	1	174017159	PINTLE BALL ATTACHMENT (OPTIONAL)
26	1	174017156	PINTLE HOOK ATTACHMENT (OPTIONAL)
27	4	0403058	BOLT, HHCS 1/2-13 UNC x 1-3/4
28	4	0400491	LOCK WASHER, 1/2
29	4	0400407	HEX NUT 1/2-13 UNC
30	2	0403097	BOLT, HHCS 3/4-10 UNC x 6-1/2
31	2	0403082	LOCK WASHER 3/4
32	1	694510	AUTOGRIP TOWBALL ADAPTOR (OPTIONAL)
33	1		TOWBALL
34	1	83711	NUT 1.000 RAMCO LOCK

## Section VI - PARTS

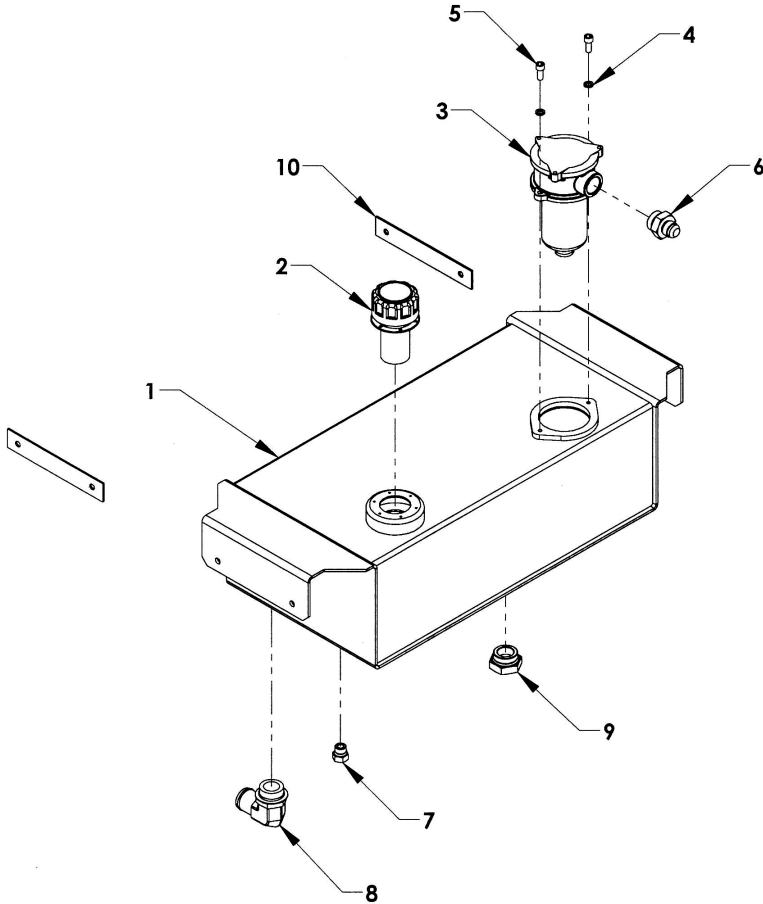
### INBOARD TILT CYLINDERS



REF	PART #	DESCRIPTION	QPU
1	1A8002	INBOARD SADDLE	1
2	1A821S	SADDLE SHIM	2
3	1A925	FRAME MOUNTING BRACKET	2
4	1A828A	INBOARD SADDLE TILT PIN	2
5	13068	PIN - TILT CYLINDER BASE	2
6	0750952	HINGE PIN - 1-1/2 x 41-3/8	1
7	0809533	HINGE ANGLE	1
8	721092	CYLINDER - CARRIER TILT	2
9	0403159	BOLT 1/2-20 UNF x 3 GRADE 5	2
10	0403160	NYLON LOCK NUT 1/2-20 UNF	2
11	84680	PIN EYE	2

# Section VI - PARTS

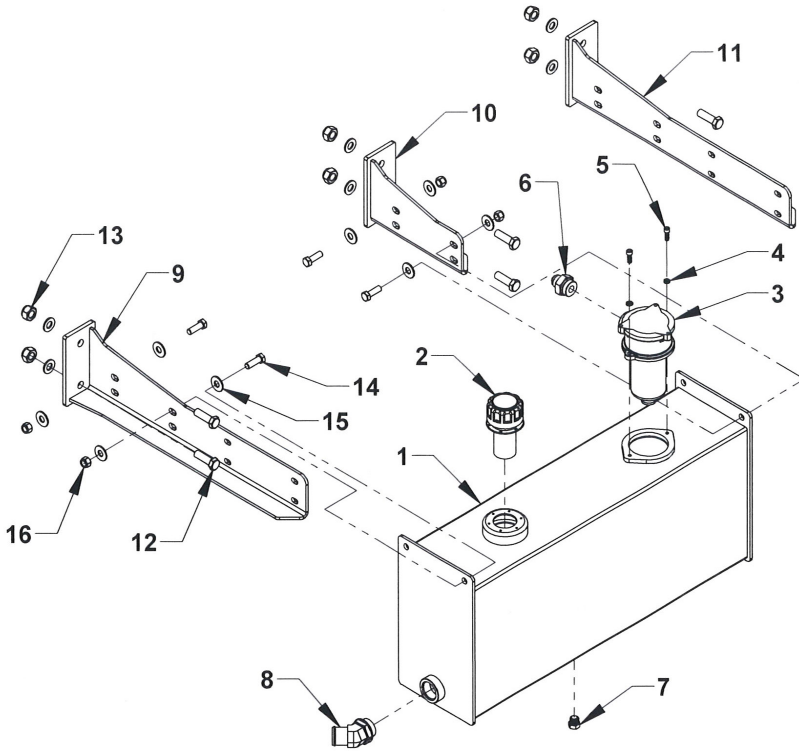
## INBOARD OIL RESERVOIR GROUP



REF. NO.	NO. REQ'D	PART NUMBER	DESCRIPTION
1	1	763100	INBOARD OIL RESERVOIR WELDMENT
2	1	76213	FILLER BREATHER CAP
3	1	76270	FILTER ASSEMBLY
	1	76271	REPLACEMENT FILTER ELEMENT
4	2	0400464	LOCK WASHER 5/16 ZP
5	2	04001427	BHCS 5/16-18 UNC x 7/8 SS
6	1	0301368	ADAPTOR 202702-16 x 12
7	1	03006085	ADAPTOR 900598-8 (DRAIN PLUG)
8	1	77C92	20 x 24 SUCTION HOSE FITTING 90°
9	1	0403111	ADAPTOR 900598-20 (DRAIN PLUG)
10	2	763106	FRAME WIDTH SHIM

## Section VI - PARTS

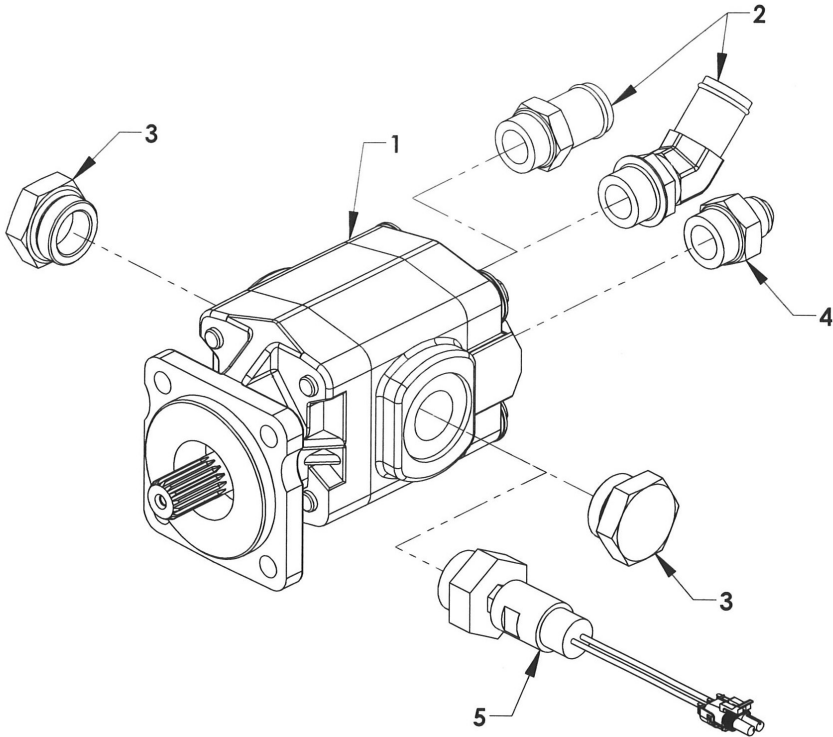
### 14 GAL. OUTBOARD OIL TANK GROUP



REF	QTY	PART #	DESCRIPTION
1	1	762110	14 GAL. OUTBOARD OIL TANK WELDMENT
2	1	76213G	FILLER BREATHER CAP ASSEMBLY
3	1	76270	FILTER ASSEMBLY
	1	76271	REPLACEMENT FILTER ELEMENT
4	2	0400464	LOCK WASHER 5/16 ZINC PLATE
5	2	04001427	BHCS SCHS 5/16-18 UNC x 7/8 SS
6	1	0301368	ADAPTOR 202702 16 x 12
7	1	03006085	ADAPTOR 900598-8 (MAGNETIC DRAIN PLUG)
8	1	03006341	20 x 24 SUCTION HOSE FITTING 90°
9	1	37855RI	TANK MTG. BRACKET - RIGHT
	1	37858R	TANK MTG. BRACKET (SHORT) - RIGHT
10	1	37858L	TANK MTG. BRACKET (SHORT) -LEFT
11	1	37855L	TANK MTG. BRACKET - LEFT
12	6	0400274	BOLT 5/8-11 x 2 UNC GR8
13	6	0400426	NYLON LOCK NUT 5/8-11 UNC ZINC PLATED
14	6	0400181	BOLT 1/2-13 UNC x 1-1/2 GR8
15	8	0400492	FLAT WASHER 1/2 ZINC PLATED
16	4	0403100	NYLON LOCK NUT 1/2-13 UNC ZINC PLATED

## Section VI - PARTS

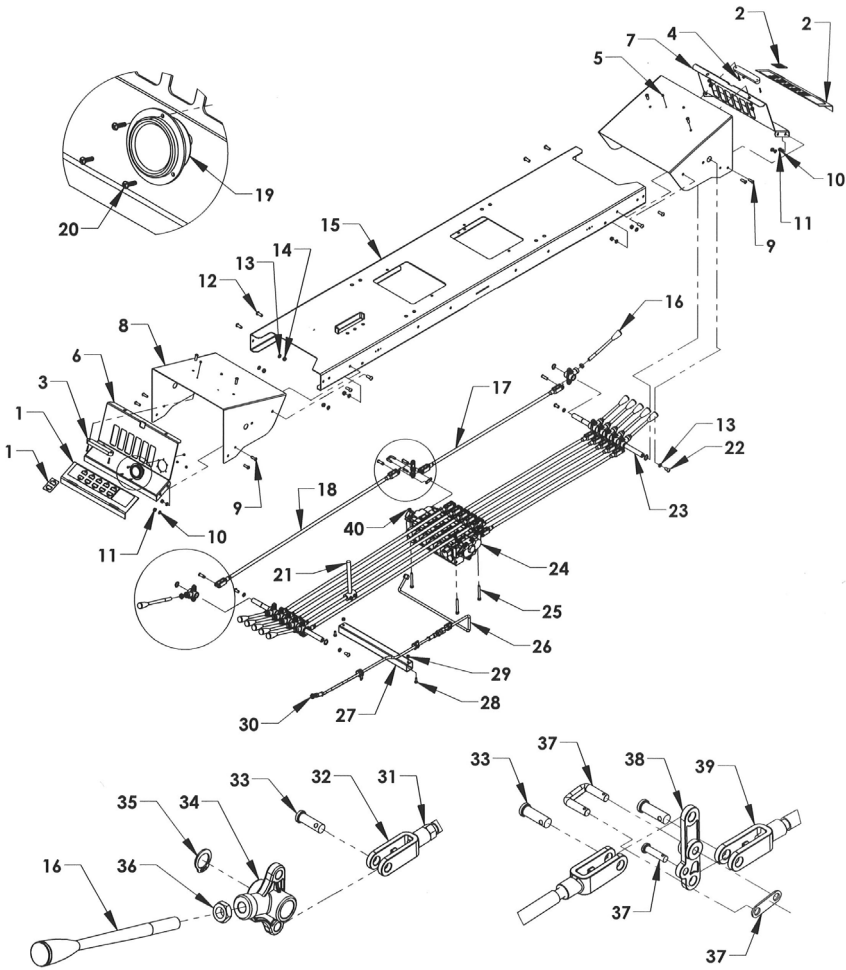
### DIRECT MOUNT PUMP - 18 GPM



REF	PART #	DESCRIPTION	QPU
1	0320144	18 GPM , 1 IN.15 SPLINE SHAFT, SAE 4-BOLT FLANGE	1
2	03006339	#16-45 M O-RING x 1-1/4 M NIPPLE	1
	77C82	#16 M O-RING x 1-1/4 M NIPPLE	1
3	77620	1-1/4 O-RING PLUG 900598-20	2
4	0301368	#16 M O-RING X 3/4 MJIC	1
5	0909434	PRESSURE TRANSDUCER (OPTIONAL)	1

# Section VI - PARTS

## 6-SPOOL CONTROL STATION



## Section VI - PARTS

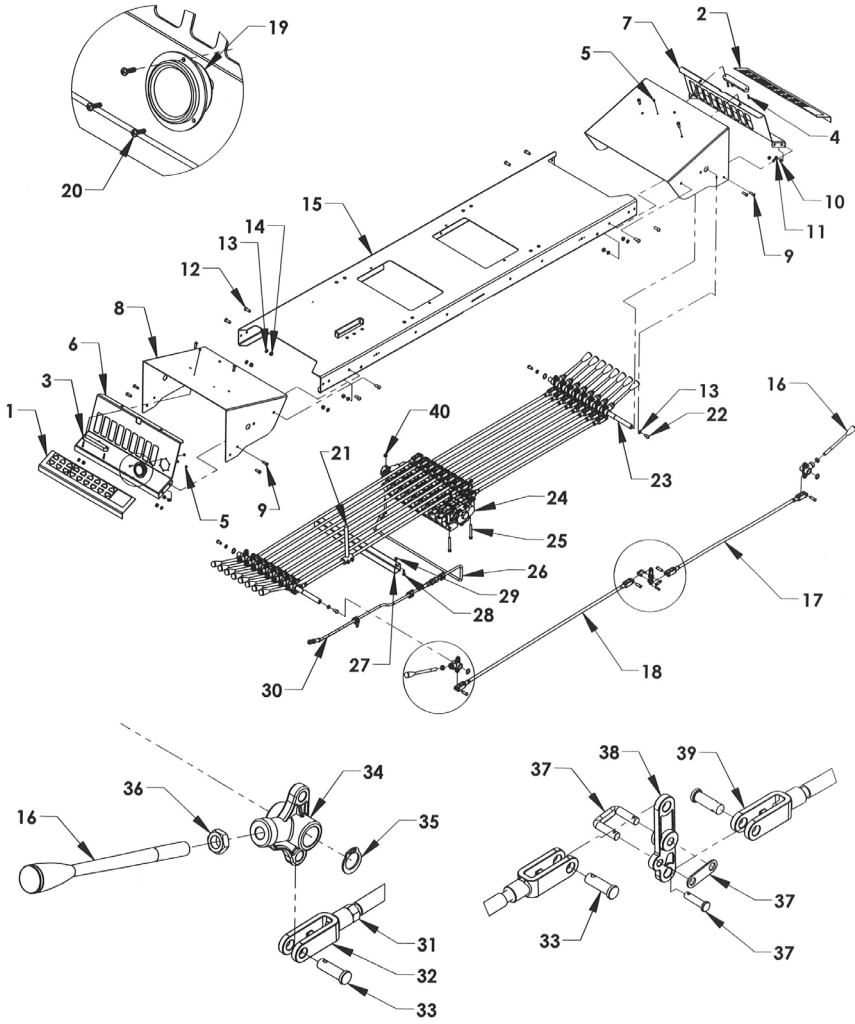
### 6-SPOOL CONTROL STATION

REF. NO.	NO. REQ'D	PART NUMBER	DESCRIPTION
1	1	18212L	5 SPOOL/6 SPOOL CONTROL PLACARD-LEFT
	1	18237	CONTROL PLACARD AUTOGRIP OVERLAY
2	1	18212R	5 SPOOL/6 SPOOL CONTROL PLACARD-RIGHT
	1	18237	CONTROL PLACARD AUTOGRIP OVERLAY
3	2	0320162	LED CONTROL STATION LIGHT - 6 IN.
4	4	04000281	SCREW, PHILLIPS #6-32 UNC x 7/8
5	7	0403147	NYLON LOCK NUT #6-32 SS
6	1	0752652L	CONTROL PANEL - LEFT
7	1	0752652R	CONTROL PANEL - RIGHT
8		0752651	CONTROL HOOD
9	12	0403079	BHCS 5/16-18 UNC x 1
10	12	0402118	LOCK WASHER 5/16 SS
11	12	0403074	HEX NUT 5/16-18 UNC
12	8	04001085	BHCS 3/8-16 UNC x 1 SS
13	12	0402121	LOCK WASHER 3/8 SS
14	8	0402122	NYLON LOCK NUT 3/8-16 UNC
15	1	181286W	CONTROL BOX ARM WELDMENT - 79.5 IN
16	6	0320048-GY	CONTROL HANDLE 8" - GRAY
	2	0320048-RD	CONTROL HANDLE 8" - RED
	4	0320048-BL	CONTROL HANDLE 8" - BLUE
17	6	7A528W	CONTROL ROD 28-1/2
18	6	7A538W	CONTROL ROD 37-3/4
19	1	0320157	PRESSURE GAUGE HYDRAULIC - 2 IN.
20	6	04000282	SCREW PHILLIPS #6-32 x 1/2
21	1	0809904	ANTI-TILT CONTROL ROD WELDMENT
22	4	0400878	BHCS 3/8-16 UNC x 3/4
23	2	7A5753-17	CONTROL HANDLE CROSS ROD 3/4 x 17
24	1	74116	VALVE BODY GRESEN 6 SPOOL
	1	74115	VALVE BODY GRESEN 5 SPOOL (COMMON)
25	3	0403169	HHCS 5/16-18 UNC x 2-3/4
26	1	0752718-5	CONTROL STATION GAUGE FLUID TUBE - 5 SP
	1	0752718-6	CONTROL STATION GAUGE FLUID TUBE - 6 SP
27	1	18335	CONTROL STATION WIRE TUBE - 6 SPOOL
28	2	0400066	HHCS 1/4-20 UNC x 3/4
29	2	0400367	NYLON LOCK NUT 1/4-20 UNC
30	1	0320169	PRESSURE GAUGE HOSE
31	12	0403115	NUT 3/8-24 HF RH
32	12	84530	CLEVIS - RIGHT HAND THREAD
33	24	84620	CLEVIS PIN 3/8 x 1-1/8
34	12	7A1155	CONTROL HANDLE PIVOT BASE
35	4	86075E	SNAP RING 3/4 EXTERNAL
36	12	0400410	1/2-13 UN JAM NUT ZP
37	6	7A010	CLEVIS PIN AND LINK ASSEMBLY
38	6	7A121	BELL CRANK
39	12	84540	CLEVIS - LEFT HAND THREAD
40	3	0400382	NYLON LOCK NUT 5/16-18 UNC



# Section VI- PARTS

## 9-SPOOL CONTROL STATION



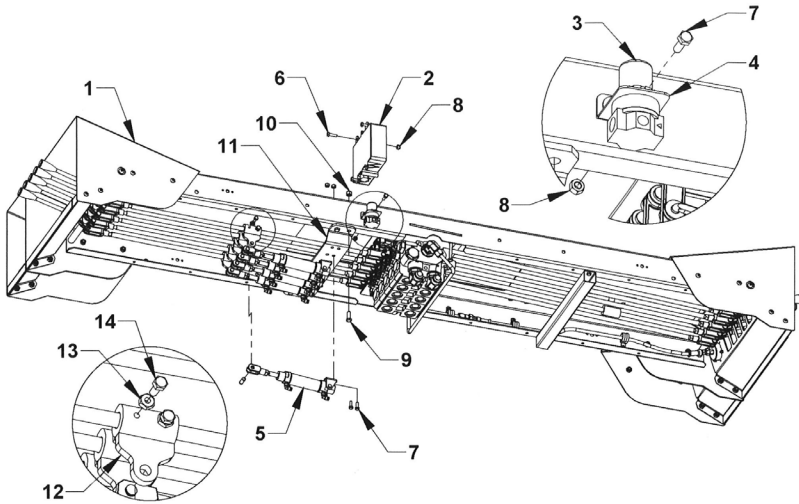
## Section VI - PARTS

### 9-SPOOL CONTROL STATION

REF. NO.	NO. REQ'D	PART NUMBER	DESCRIPTION
1	1	18219L	CONTROL PLACARD 4-CAR AUTOGRIP - LEFT
	1	18218L	CONTROL PLACARD 4-CAR CARRIER - LEFT
	1	18224L	CONTROL PLACARD SIDEPULLER OVERLAY - LFT
	1	18235L	CONTROL PLACARD DUAL DECK - LEFT
	1	18236L	CONTROL PLACARD DUAL DECK AG OVERLAY-LT
2	1	18219R	CONTROL PLACARD 4-CAR AUTOGRIP - RIGHT
	1	18218R	CONTROL PLACARD 4-CAR CARRIER - RIGHT
	1	18224R	CONTROL PLACARD SIDEPULLER OVERLAY-RT
	1	18235R	CONTROL PLACARD DUAL DECK - RIGHT
	1	18236R	CONTROL PLACARD DUAL DECK AG OVERLAY-RT
3	2	0320162	LED CONTROL STATION LIGHT - 6 IN.
4	4	04000281	SCREW, PHILLIPS #6-32 UNC x 7/8
5	7	0403147	NYLON LOCK NUT #6-32 SS
6	1	0752654L	CONTROL PANEL - LEFT
7	1	0752654R	CONTROL PANEL - RIGHT
8	2	0752653	CONTROL HOOD
9	12	0403079	BHCS 5/16-18 UNC x 5/8
10	12	0402118	LOCK WASHER 5/16, SS
11	12	0403074	HEX NUT 5/16-18 UNC
12	8	04001085	BHCS 3/8-16 UNC x 1, SS
13	12	0402121	LOCK WASHER 3/8 SS
14	8	0402122	NYLON LOCK NUT 3/8-16 UNC
15	1	181289W	CONTROL BOX ARM WELDMENT - 79.5 IN
16	6	0320048-GY	CONTROL HANDLE 8" - GRAY
	4	0320048-RD	CONTROL HANDLE 8" - RED
	6	0320048-BL	CONTROL HANDLE 8" - BLUE
	2	0320048-GR	CONTROL HANDLE 8" - GREEN
17	9	7A528W	CONTROL ROD 28-1/2
18	9	7A538W	CONTROL ROD 37-3/4
19	1	0320157	PRESSURE GAUGE HYDRAULIC - 2 IN.
20	3	04000282	SCREW PHILLIPS #6-32 x 1/2
21	1	0809904	ANTI-TILT CONTROL ROD WELDMENT
22	4	0403169	BHCS 3/8-16 UNC x 3/4
23	2	7A5753-20	CONTROL HANDLE CROSS ROD 3/4 x 20-3/4
24	1	74118	VALVE BODY GRESEN 8-SPOOL
	1	74119	VALVE BODY GRESEN 9 SPOOL
	3	0403169	HHCS 5/16-18 UNC x 2-3/4
25	1	0752718-8	CONTROL STATION GAUGE FLUID TUBE - 8 SP
26	1	0752718-9	CONTROL STATION GAUGE FLUID TUBE - 9 SP
27	1	18336	CONTROL STATION WIRE TUBE - 9 SPOOL
28	2	0400366	HHCS 1/4-20 UNC x 3/4
29	2	0400367	NYLON LOCK NUT 1/4-20 UNC
30	1	0320169	PRESSURE GAUGE HOSE
31	18	0403115	NUT 3/8-24 HF RH
32	18	84530	CLEVIS - RIGHT HAND THREAD
33	36	84620	CLEVIS PIN 3/8 x 1-1/8
34	18	7A1155	CONTROL HANDLE PIVOT BASE
35	4	86075E	SNAP RING 3/4 EXTERNAL
36	18	0400410	1/2-13 UNC JAM NUT ZP
37	9	7A010	CLEVIS PIN AND LINK ASSEMBLY
38	9	7A121	BELL CRANK
39	18	84540	CLEVIS - LEFT HAND THREAD
40	3	0400382	NYLON LOCK NUT 5/16-18 UNC

# Section VI - PARTS

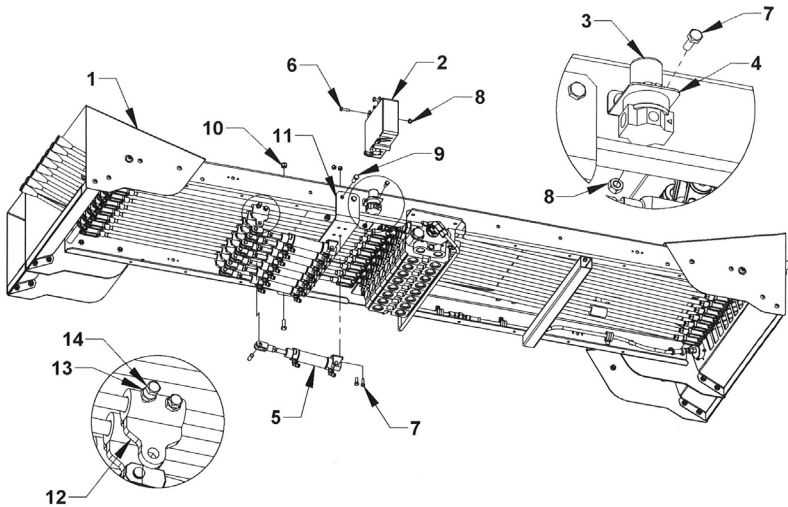
## REMOTE AIR CYLINDERS 6-SPOOL



REF. NO.	QTY	PART NUMBER	DESCRIPTION
1	1	183126	6-SPOOL CONTROL STATION
2	1	0308726-2	RADIO CONTROL RECEIVER BOX 2-FUNCTION
		0308726-4	RADIO CONTROL RECEIVER BOX 4-FUNCTION
		0308726-6	RADIO CONTROL RECEIVER BOX 6-FUNCTION
		0308726-8	RADIO CONTROL RECEIVER BOX 8-FUNCTION
		0308726-10	RADIO CONTROL RECEIVER BOX 10-FUNCTION
		0308726-12	RADIO CONTROL RECEIVER BOX 12-FUNCTION
		0308726-16	RADIO CONTROL RECEIVER BOX 16-FUNCTION
3	1	71713	AIR PRESSURE REGULATOR
4	1	0752351	AIR PRESSURE REGULATOR MTG BRACKET
5	X	0308711	AIR CYLINDER 2 INCH STROKE
6	3	0403043	BOLT HHCS 1/4-20 UNC x 1 GR5
7	X	0400066	BOLT HHCS 1/4-20 UNC x 3/4 GR5
8	X	0400367	NUT NYLOK 1/-20 UNC
9	4	0400126	BOLT HHCS 3/8-18 UNC x 1 GR5
10	4	0400392	NUT NYLOC 3/8-16 UNC
11	1	181381	AIR CYLINDER MTG BRKT 6-SPOOL GEN2
12	X	0809905	BOLT-ON AIR CYLINDER PLATE WELDMNT
13	X	0400366	NUT HEX 1/4-20 UNC
14	X	0400059	BOLT HHCS 1/4-20 UNC x 5/8 GR5

# Section VI - PARTS

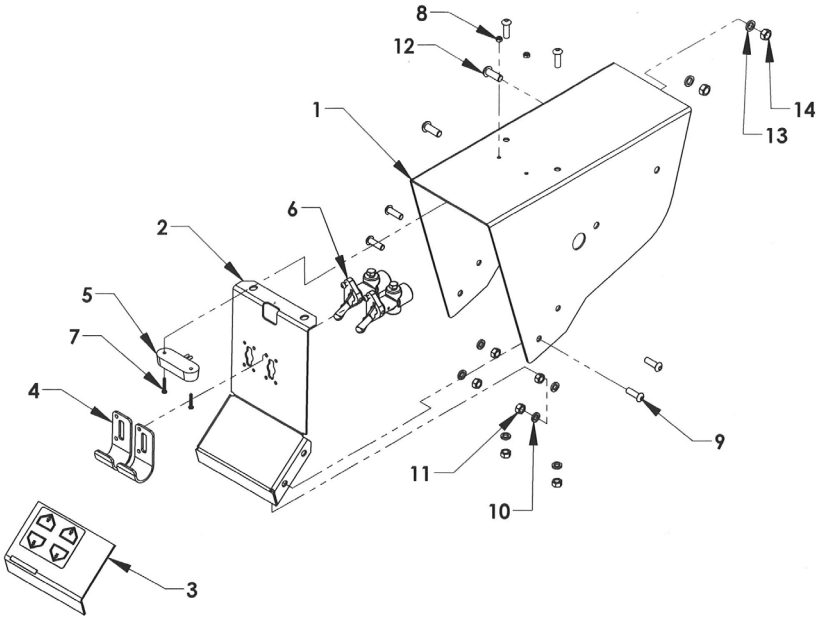
## REMOTE AIR CYLINDERS 9-SPOOL



REF. NO.	QTY	PART NUMBER	DESCRIPTION
1	1	183129	9-SPOOL CONTROL STATION
2	1	0308726-2	RADIO CONTROL RECEIVER BOX 2-FUNCTION
		0308726-4	RADIO CONTROL RECEIVER BOX 4-FUNCTION
		0308726-6	RADIO CONTROL RECEIVER BOX 6-FUNCTION
		0308726-8	RADIO CONTROL RECEIVER BOX 8-FUNCTION
		0308726-10	RADIO CONTROL RECEIVER BOX 10-FUNCTION
		0308726-12	RADIO CONTROL RECEIVER BOX 12-FUNCTION
		0308726-16	RADIO CONTROL RECEIVER BOX 16-FUNCTION
3	1	71713	AIR PRESSURE REGULATOR
4	1	0752351	AIR PRESSURE REGULATOR MTG BRACKET
5	X	0308711	AIR CYLINDER 2 INCH STROKE
6	3	0403043	BOLT HHCS 1/4-20 UNC x 1 GR5
7	X	0400066	BOLT HHCS 1/4-20 UNC x 3/4 GR5
8	X	0400367	NUT NYLOK 1/4-20 UNC
9	4	0400126	BOLT HHCS 3/8-18 UNC x 1 GR5
10	4	0400392	NUT NYLOC 3/8-16 UNC
11	1	181381	AIR CYLINDER MTG BRKT 6-SPOOL GEN2
12	X	0809905	BOLT-ON AIR CYLINDER PLATE WELDMENT
13	X	0400366	NUT HEX 1/4-20 UNC
14	X	0400059	BOLT HHCS 1/4-20 UNC x 5/8 GR5

## Section VI - PARTS

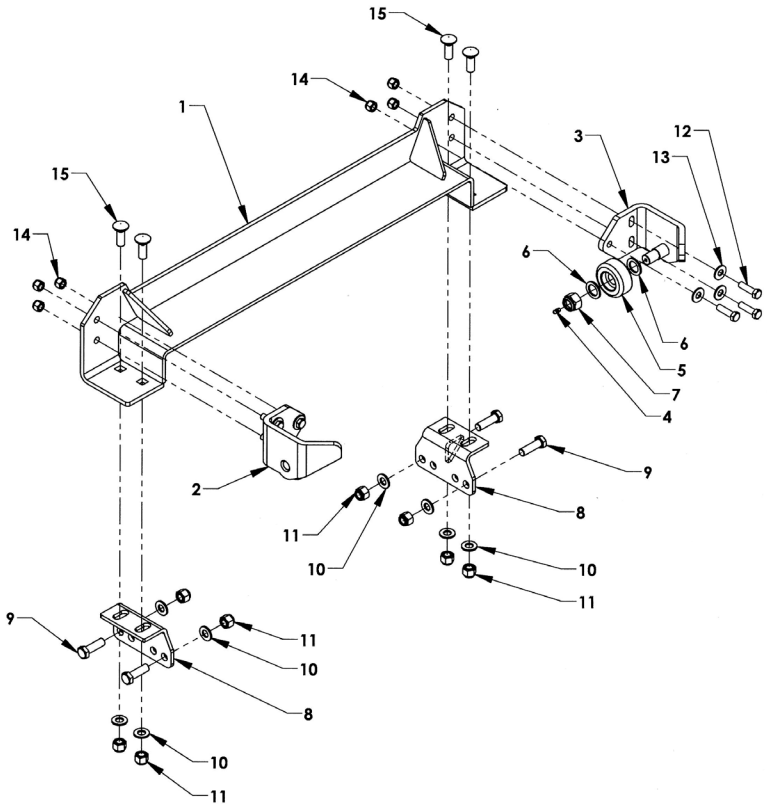
### 2 AIR VALVE CONTROL STATION



REF. NO.	NO. REQ'D	PART NUMBER	DESCRIPTION
1	1	0752655	2-TOGGLE AIR VALVE CONTROL HOOD
2	1	0752656L	2-TOGGLE AIR VALVE CONTROL PANEL - LEFT
	1	0752656R	2-TOGGLE AIR VALVE CONTROL PANEL - RIGHT
3	1	18221L	2-TOGGLE AIR VALVE CONTROL PLACARD - LEFT
	1	18221R	2-TOGGLE AIR VALVE CONTROL PLACARD - RIGHT
4	2	18145	TOGGLE AIR GUARD
5	1	0320161	CONTROL LIGHT
6	2	71716	TOGGLE AIR VALVE
7	2	04000281	SCREW PRH #6-32 UNC x 7/8 SS
8	2	0403147	NUT, NYLON #6-32 UNC SS
9	6	0403079	BOLT BHCS 5/16-18 UNC x 1 SS
10	6	0402118	LOCK WASHER 5./16 SS
11	6	0403074	NUT, NYLON 5/16-18 UNC SS
12	2	04001085	BOLT HHCS 3/8-16 UNC x 1 SS
13	2	0402121	LOCK WASHER 3/8-16 SS
14	2	0402122	NUT, NYLON 3/8-16 UNC

# Section VI - PARTS

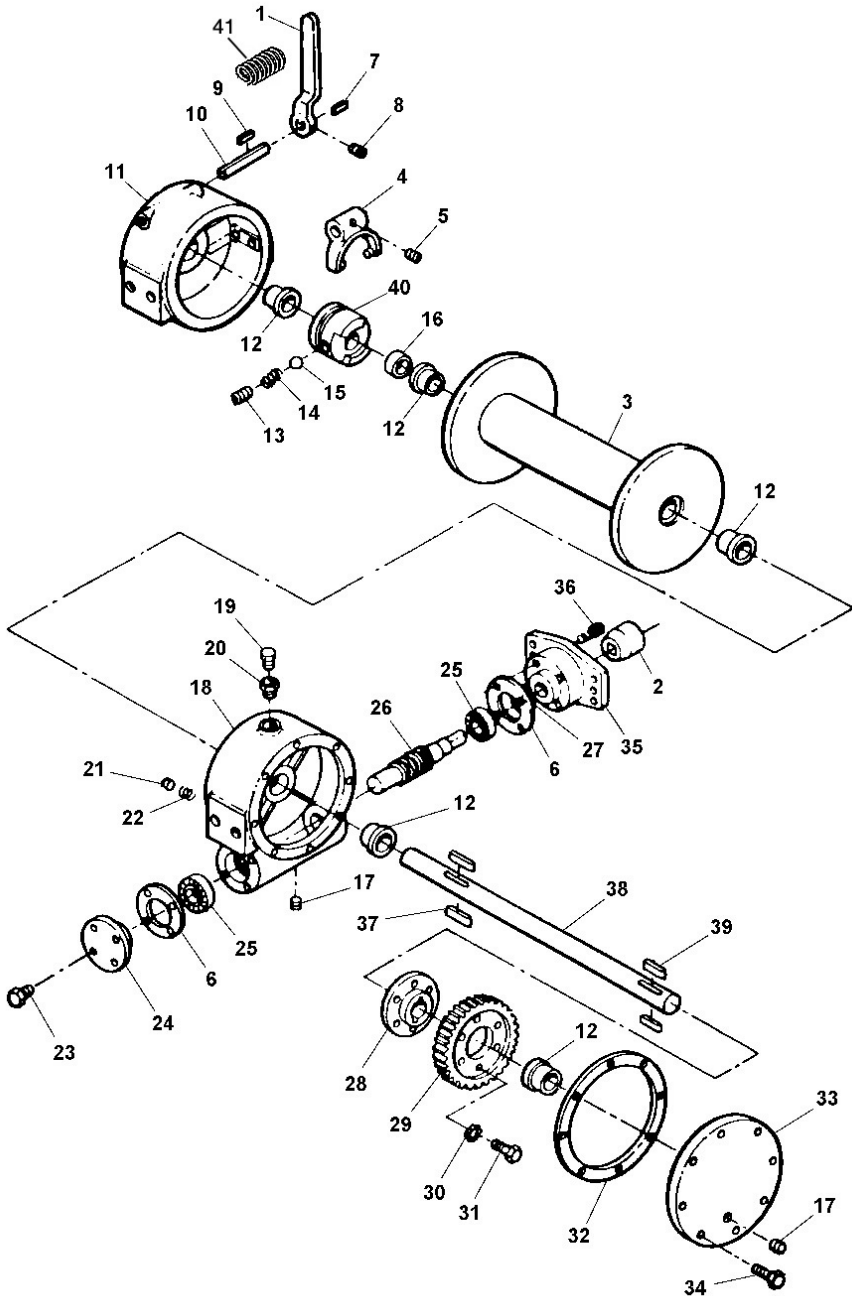
## BODY LOCK ASSEMBLY - 364220K



REF. NO.	NO. REQ'D	PART NUMBER	DESCRIPTION
1	1	364220	LCG BODY LOCK WELDMENT-SETBACK CAPABLE
2	1	36315L	BODY LOCK HOLD-DOWN - LEFT
3	1	36315R	BODY LOCK HOLD-DOWN - RIGHT
4	2	0306382	GREASE FITTING 1/4-28
5	2	36310	ROLLER WHEEL
6	4	0400470	FLAT WASHER 1
7	2	04001225	NYLON LOCK NUT, 7/8-14 UNF
8	2	0809183	MOUNTING BRACKET
9	4	0400260	BOLT, 5/8-11 HHCS UNC x 2 GRADE 5
10	8	0400505	FLAT WASHER 5/8
11	8	0400421	NYLON LOCK NUT, 5/8-11 UNC
12	6	0400218	BOLT, HHCS 1/2-20 UNF x 1-1/4
13	6	0400492	FLAT WASHER, 1/2 IN.
14	6	0400413	NYLON LOCK NUT, 1/2-20 UNF
15	4	0403068	CARRIAGE BOLT 5/8-11 x 1-3/4

# Section VI - PARTS

## RAMSEY 234 HYDRAULIC WINCH



## Section VI - PARTS

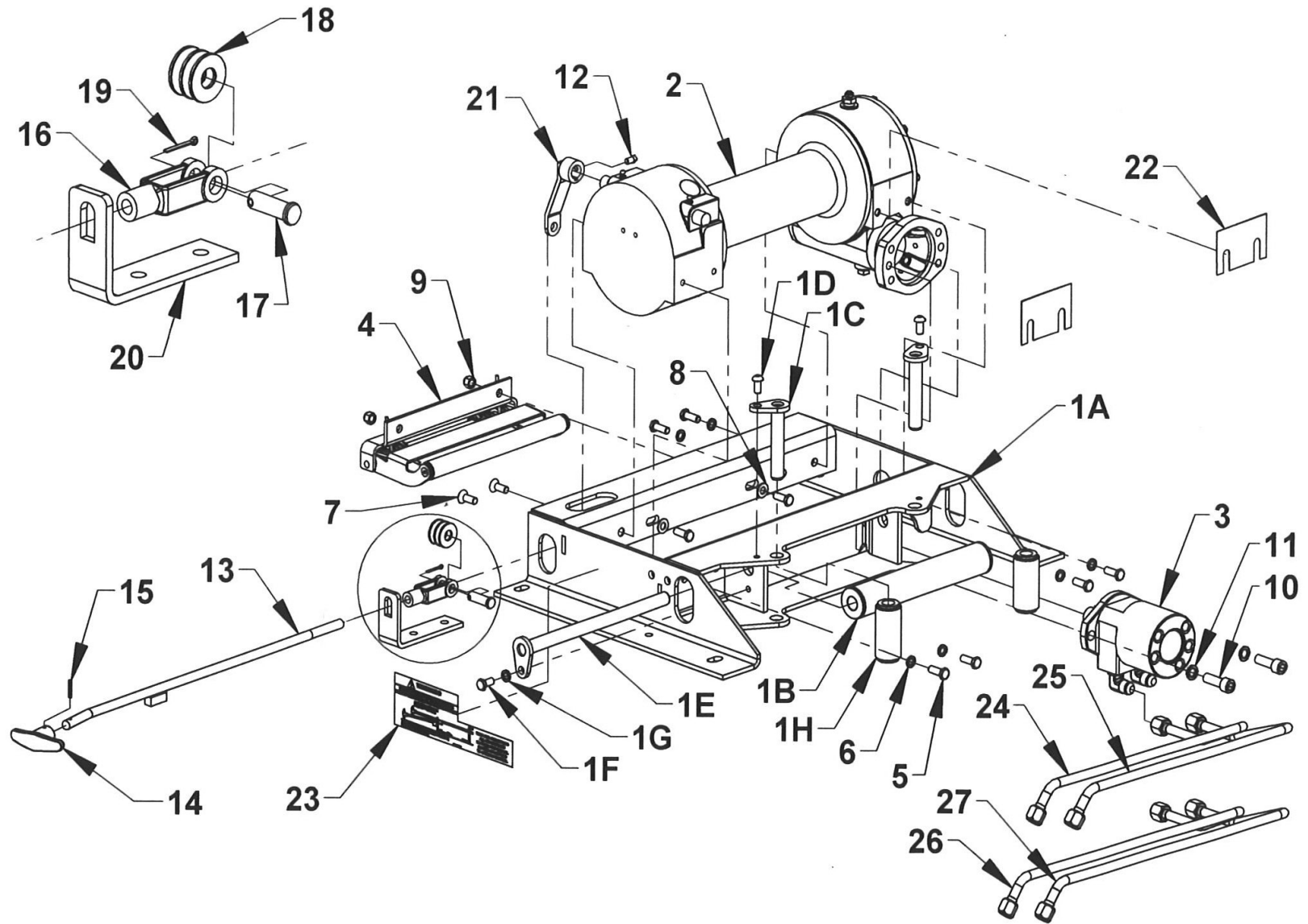
### RAMSEY 234 HYDRAULIC WINCH

REF. NO.	NO. REQ'D	PART NUMBER	DESCRIPTION
1	1	0300261	LEVER
2	1	0300290	COUPLING
3	1	0300381	DRUM
4	1	0300398	YOKE
5	1	0300399	SCREW
6	2	0300447	GASKET
7	1	0300448	KEY
8	1	0300449	SCREW
9	1	0300450	KEY
10	1	0300451	SHAFT
11	1	0300452	CLUTCH HOUSING
12	5	0300453	BUSHING
13	1	0300454	SCREW
14	1	0300455	SPRING
15	1	0300456	BALL
16	1	0300458	SPACER
17	2	0300459	PLUG
18	1	0300460	HOUSING
19	1	0300461	PLUG
20	1	0300462	REDUCER
21	1	0300463	DRAG BRAKE
22	1	0300464	SPRING
23	16	0300465	SCREW
24	1	0300466	CAP
25	2	0300467	BEARING
26	1	0300468	WORM
27	1	0300471	SEAL
28	1	0300472	HUB
29	1	0300473	GEAR
30	6	0300474	WASHER
31	6	0300475	SCREW
32	1	0300476	GASKET
33	1	0600477	COVER
34	4	0300569	SCREW
35	1	0300694	CAP ADAPTOR
36	1	0300695	SCREW
37	2	--	KEY
38	1	--	SHAFT
39	2	--	KEY
40	1	--	CLUTCH
41	1	0308608	TORSION SPRING
*	1	0308698	4 TON WORM WINCH ASSEMBLY

\* When ordering specify winch serial number.



**Section VI - PARTS**  
**RAMSEY HD234 MANUAL-SHIFT WINCH GROUP**  
**W/SINGLE CLUTCH CONTROL ROD ASSEMBLY**  
**(UNDERWIND)**

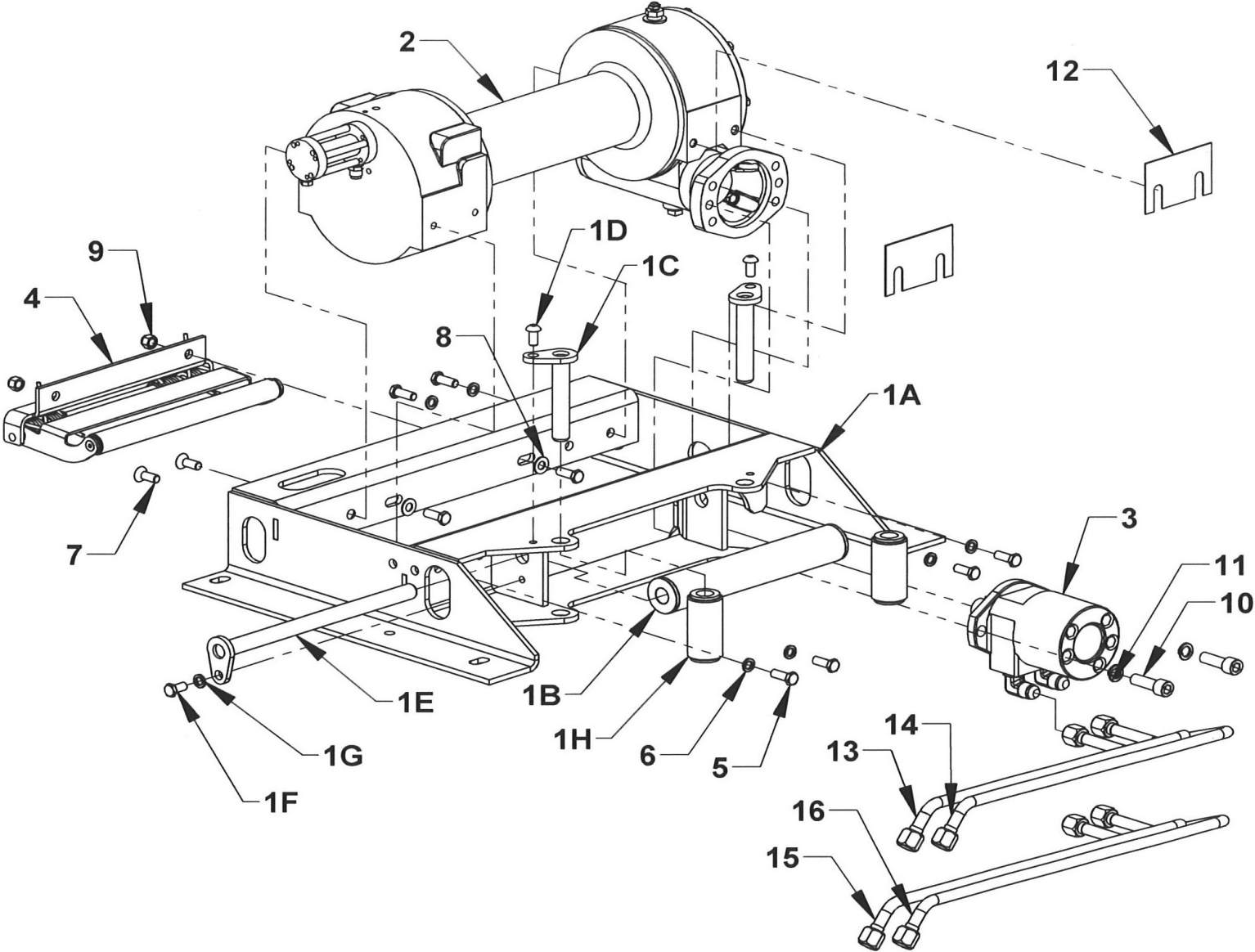


**Section VI - PARTS**

**RAMSEY HD234 MANUAL-SHIFT WINCH GROUP  
W/SINGLE CLUTCH CONTROL ROD ASSEMBLY  
(UNDERWIND)**

REF. NO.	NO. REQ'D	PART NUMBER	DESCRIPTION
1	1	0940425	RAMSEY HD234 WINCH MTG FRAME-GEN2
1A	1	0811139	RAMSEY HD234 WINCH MOUNTING FRAME
1B	1	0940428	ROLLER ASSEMBLY - 1-3/4 DIAMETER
1C	1	0811142	VERTICAL ROLLER KEEPER PIN - RAMSEY 8K
1D	2	0403004	BOLT- BHCS 3/8-16 UNC x 3/4 ZP
1E	2	0811145	ROLLER GUIDE KEEPER PN - RAMSEY 8K
1F		0400121	BOLT- HHCS 3/8-16 UNC x 3/4 ZP
1G	1	0400482	LOCK WASHER 3/8 ZP
1H	1	0709877G	RAMSEY HD234 VERTICAL ROLLER W/BUSHINGS
2	2	0308698	RAMSEY WINCH HD234 LEVER LOCK MANUAL SHIFT
3	1	0320147	WINCH MOTOR 5 CUBIC INCH
4	1	03005617	RAMSEY ROLLER TENSIONER-HD234
5	1	0400126	BOLT- HHCS 3/8-16 UNC x 1 ZP
6	8	0400482	LOCK WASHER 3/8 ZP
7	6	0403137	BOLT FHSCS 3/8-16 x 1 GRB
8	2	0400480	FLAT WASHER 3/8 ZP
9	2	0400392	NUT NYLOCK 3/8-16 ZP
10	2	0400238	BOLT SHCS 1/2-13 x 1-1/2 GRB
11	2	0400491	LOCK WASHER 1/2 ZP
12	2	0400116	SET SCREW SQHD 5/16-18 x 1/2 ZP
13	1	0805170	RAMSEY WINCH CLUTCH CONTROL ROD
14	1	0301532	MILLER T-HANDLE
15	1	0400560	ROLL PIN 5/32 x 1
16	1	0301588	ADJUSTABLE YOKE
17	1	0400537	CLEVIS PIN 1/2 x 1-1/2 ZP
18	3	0400492	WASHER 1/2 FLAT
19	1	0400540	COTTER PIN 3/32 x 1
20	1	0710918	RAMSEY CLUTCH HANDLE MOUNTING ANGLE
21	1	0505151	BELL CRANK ARM
22	2	0701172-18	SHIM-RAMSEY HD234
23	1	0500815	WINCH SAFETY DECAL
24	1	0752167-R	WINCH MOTOR FLUID TUBE-S10-G2-RAMSEY SHORT
25	1	0752168-R	WINCH MOTOR FLUID TUBE-S10-G2 RAMSEY LONG
26	1	0751974-R	WINCH MOTOR FLUID TUBE-S12-G2-RAMSEY SHORT
27	1	0751975-R	WINCH MOTOR FLUID TUBE-S12-G2 RAMSEY LONG

**Section VI - PARTS**  
**RAMSEY HD234 AIR-SHIFT WINCH GROUP**



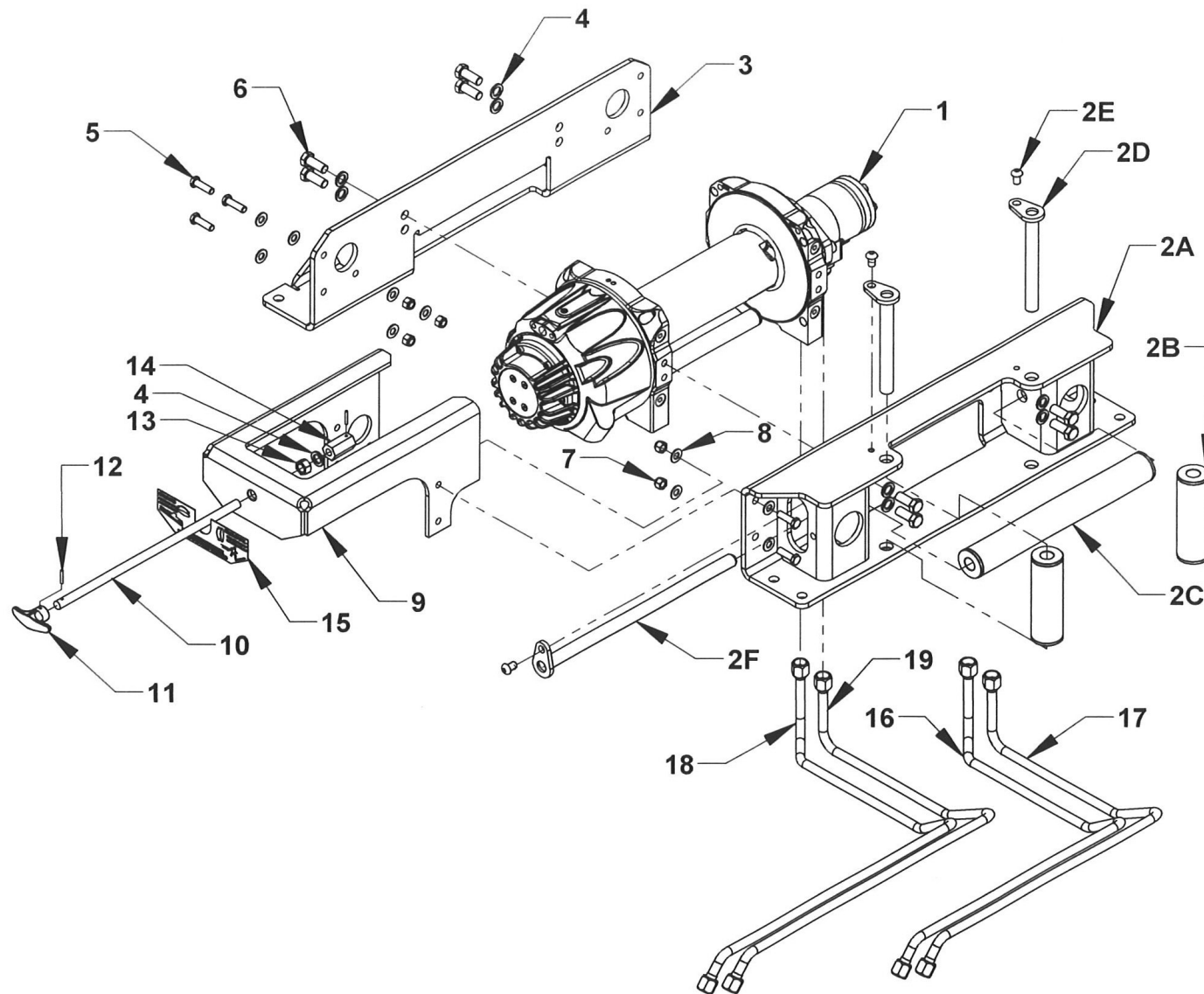
## Section VI - PARTS

### RAMSEY HD234 AIR-SHIFT WINCH GROUP

REF. NO.	NO. REQ'D	PART NUMBER	DESCRIPTION
1	1	0940425	RAMSEY HD234 WINCH MTG FRAME-GEN2
1A	1	0811139	RAMSEY HD234 WINCH MOUNTING FRAME
1B	1	0940428	ROLLER ASSEMBLY - 1-3/4 DIAMETER
1C	1	0811142	VERTICAL ROLLER KEEPER PIN - RAMSEY 8K
1D	2	0403004	BOLT- BHCS 3/8-16 UNC x 3/4 ZP
1E	2	0811145	ROLLER GUIDE KEEPER PN - RAMSEY 8K
1F		0400121	BOLT- HHCS 3/8-16 UNC x 3/4 ZP
1G	1	0400482	LOCK WASHER 3/8 ZP
1H	1	0709877G	RAMSEY HD234 VERTICAL ROLLER W/BUSHINGS
2	2	0308535	RAMSEY WINCH HD234 LEVER LOCK MANUAL SHIFT
3	1	0320147	WINCH MOTOR 5 CUBIC INCH
4	1	03005617	RAMSEY ROLLER TENSIONER-HD234
5	1	0400126	BOLT- HHCS 3/8-16 UNC x 1 ZP
6	8	0400482	LOCK WASHER 3/8 ZP
7	6	0403137	BOLT FHCS 3/8-16 x 1 GRB
8	2	0400480	FLAT WASHER 3/8 ZP
9	2	0400392	NUT NYLOCK 3/8-16 ZP
10	2	0400238	BOLT SHCS 1/2-13 x 1-1/2 GRB
11	2	0400491	LOCK WASHER 1/2 ZP
12	2	0701172-18	SHIM-RAMSEY HD234
13	1	0752167-R	WINCH MOTOR FLUID TUBE-S10-G2-RAMSEY SHORT
14	1	0752168-R	WINCH MOTOR FLUID TUBE-S10-G2 RAMSEY LONG
15	1	0751974-R	WINCH MOTOR FLUID TUBE-S12-G2-RAMSEY SHORT
16	1	0751975-R	WINCH MOTOR FLUID TUBE-S12-G2 RAMSEY LONG

Section VI - PARTS

RAMSEY WINCH - 0940421-0810AM  
8K SIERRA PLANETARY MANUAL SHIFT

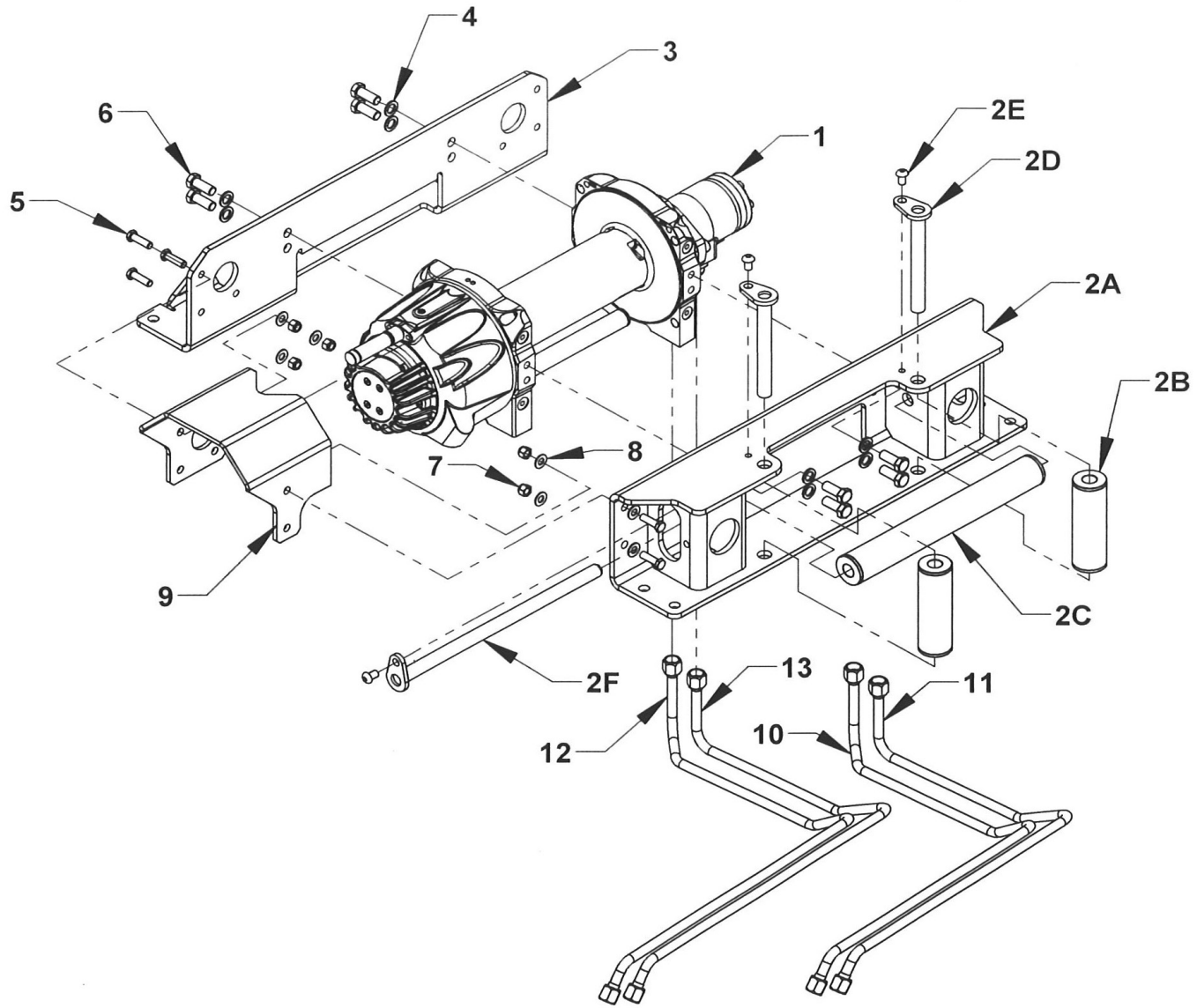


## Section VI - PARTS

### RAMSEY WINCH - 0940421-0810AM 8K SIERRA PLANETARY MANUAL SHIFT

REF. NO.	NO. REQ'D	PART NUMBER	DESCRIPTION
1	1	0320127-0810AM	RAMSEY SIERRA 8K PLANETARY WINCH
2	1	0940422	RAMSEY SIERRA ROLLER GUIDE ASSEMBLY
2A	1	0811127	RAMSEY SIERRA ROLLER GUIDE
2B	2	0809640	ROLLER ASSEMBLY - 1.75 DIAMETER
2C	1	A901520	ROLLER ASSEMBLY - 1.75 DIAMETER
2D	2	0809641	ROLLER GUIDE KEEPER PIN
2E	3	0403161	BOLT 3/8-16 UNC x 5/8 BUTTON HEAD
2F	1	A901525	ROLLER GUIDE KEEPER PIN
3	1	0811128	RAMSEY SIERRA FRONT MTG CHANNEL
4	9	0400491	WASHER 1/2 LOCK
5	5	0400122	BOLT HHCS 3/8-16 UNC x 1-1/4
6	8	0400177	BOLT HHCS 1/2-13 UNC x 1-1/4
7	5	0400392	NYLON LOCK NUT 3/8-16 UNC
8	10	0400480	FLAT WASHER 3/8 SAE ZP
9	1	0752527	RAMSEY SIERRA T-HANDLE SUPPORT BRKT
10	1	0752684	RAMSEY SIERRA REMOTE CLUTCH ROD
11	1	RW336010	RAMSEY FREE SPOOL TEE HANDLE
12	2	84660	ROLL PIN 1/8 X 7/8
13	1	0400407	NUT HEX 1/2
14	1	71812	COUPLER-RAMSEY CLUTCH ROD EXTENSION
15	1	05001443	FREE SPOOL DECAL RAMSEY SIERRA
16	1	0752167-RS08	S10 G2 RAMSEY SIERRA 8K FLUID TUBE-SHORT
17	1	0752168-RS08	S10 G2 RAMSEY SIERRA 8K FLUID TUBE-LONG
18	1	0752174-RS08	S12 G2 RAMSEY SIERRA 8K FLUID TUBE-SHORT
19	1	0752175-RS08	S12 G2 RAMSEY SIERRA 8K FLUID TUBE-LONG

**Section VI - PARTS**  
**RAMSEY WINCH - 0940421-0810AA**  
**8K SIERRA PLANETARY AIR SHIFT**



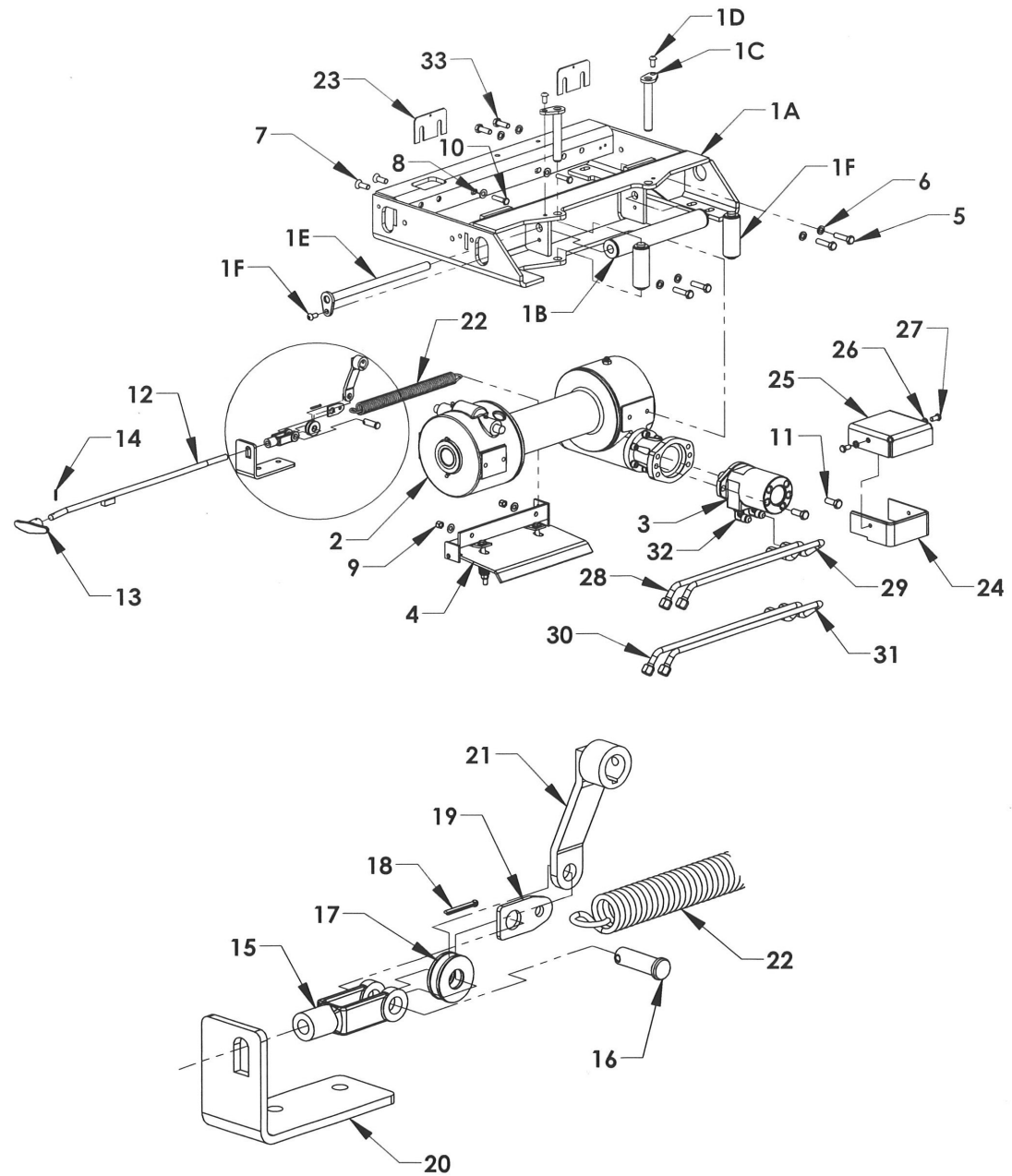
## Section VI - PARTS

### RAMSEY WINCH - 0940421-0810AA 8K SIERRA PLANETARY AIR SHIFT

REF. NO.	NO. REQ'D	PART NUMBER	DESCRIPTION
1	1	0320127-0810AM	RAMSEY SIERRA 8K PLANETARY WINCH
2	1	0940422	RAMSEY SIERRA ROLLER GUIDE ASSEMBLY
2A	1	0811127	RAMSEY SIERRA ROLLER GUIDE
2B	2	0809640	ROLLER ASSEMBLY - 1.75 DIAMETER
2C	1	A901520	ROLLER ASSEMBLY - 1.75 DIAMETER
2D	2	0809641	ROLLER GUIDE KEEPER PIN
2E	3	0403161	BOLT 3/8-16 UNC x 5/8 BUTTON HEAD
2F	1	A901525	ROLLER GUIDE KEEPER PIN
3	1	0811128	RAMSEY SIERRA FRONT MTG CHANNEL
4	8	0400491	WASHER 1/2 LOCK
5	5	0400122	BOLT HHCS 3/8-16 UNC x 1-1/4
6	8	0400177	BOLT HHCS 1/2-13 UNC x 1-1/4
7	5	0400392	NYLON LOCK NUT 3/8-16 UNC
8	10	0400480	FLAT WASHER 3/8 SAE ZP
9	1	07005433	RAMSEY SIERRA AIE CYLINDER GUARD
10	1	0752167-RS08	S10 G2 RAMSEY SIERRA 8K FLUID TUBE-SHORT
11	1	0752168-RS08	S10 G2 RAMSEY SIERRA 8K FLUID TUBE-LONG
12	1	0752174-RS08	S12 G2 RAMSEY SIERRA 8K FLUID TUBE-SHORT
13	1	0752175-RS08	S12 G2 RAMSEY SIERRA 8K FLUID TUBE-LONG



Section VI - PARTS  
RAMSEY H400 MANUAL-SHIFT WINCH GROUP

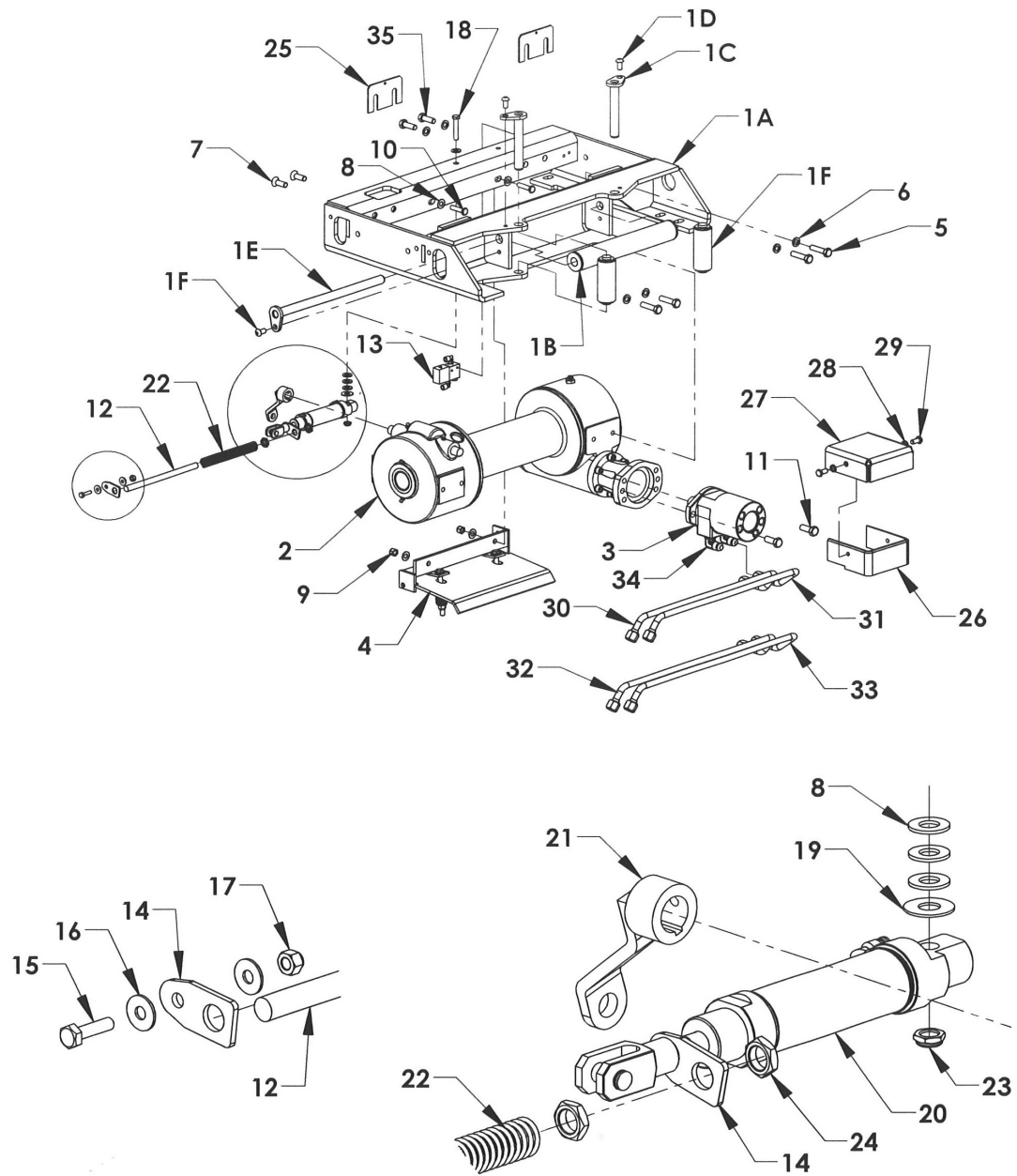


## Section VI - PARTS

### RAMSEY H400 MANUAL-SHIFT WINCH GROUP

REF. NO.	NO. REQ'D	PART NUMBER	DESCRIPTION
1	1	0940349	RAMSEY H400 MOUNTING FRAME
1A	1	0809929	RAMSEY H400 WINCH MOUNTING FRAME
1B	1	0940218	ROLLER ASSEMBLY - 1.75 DIAMETER
1C	2	0809931	VERTICAL ROLLER KEEPER PIN - RAMSEY 400
1D	3	0403004	BOLT BHCS 3/8-16 UNC x 3/4 ZP
1E	1	0809612	HORIZONTAL ROLLER KEEPER PIN - RAMSEY400
1F	2	A90148	ROLLER ASSEMBLY - 1.50 DIAMETER
2	1	0302149	RAMSEY H400 WINCH
3	1	0302148	RAMSEY H400 WINCH MOTOR
4	1	0901196	CABLE TENSIONER ASSEMBLY
5	4	0403153	BOLT HHCS 7/16-14 UNC x 1-3/4
6	6	0400487	WASHER 7/16 LOCK
7	2	0403152	BOLT FSCS 7/16-14 UNC x 3/4
8	4	0400480	WASHER 3/8 FLAT
9	2	0400392	NUT NYLOCK 3/8-16 ZP
10	2	0400132	BOLT HHCS 3/8-16 UNC x 1-1/2
11	2	0400177	BOLT HHCS 1/2-13 UNC x 1-1/4
12	1	0805170	RAMSEY WINCH CLUTCH CONTROL ROD
13	1	0301532	MILLER T-HANDLE
14	1	0400560	ROLL PIN 5/32 x 1
15	1	0301588	ADJUSTABLE YOKE
16	1	0400537	CLEVIS PIN 1/2 x 1-1/2 ZP
17	2	0400492	WASHER 1/2 FLAT
18	1	0400549	COTTER PIN 1/8 x 1
19	1	0710919	CLUTCH CONTROL SPRING HOLDER
20	1	0752700	RAMSEY H400 CLUTCH HANDLE MOUNTING ANGLE
21	1	0805151	BELL CRANK ARM
22	1	0306015	CLUTCH CONTROL SPRING
23	2	0701172-H400	RAMSEY H400 SHIM
24	1	0752151	RAMSEY MOTOR GUARD - VERTICAL CHANNEL
25	1	0752152	MOTOR GUARD COVER PLATE
26	2	0400482	WASHER 3/8 LOCK
27	2	0400121	BOLT HHCS 3/8-16 UNC x 3/4
28	1	0752167-H400	WINCH MOTOR FLUID TUBE CNV H400-SHORT
29	1	0752168-H400	WINCH MOTOR FLUID TUBE CVN H400-LONG
30	1	0751974-H400	WINCH MOTOR FLUID TUBE LCG H400-SHORT
31	1	0751975-H400	WINCH MOTOR FLUID TUBE LCG H400-LONG
32	2	0301388	ADAPTOR 8MJ-8MB 90 DEGREES
33	2	0400234	BOLT HHCS 7/16-14 UNC x 1-1/4

**Section VI - PARTS**  
**RAMSEY H400 MANUAL-SHIFT WINCH GROUP**

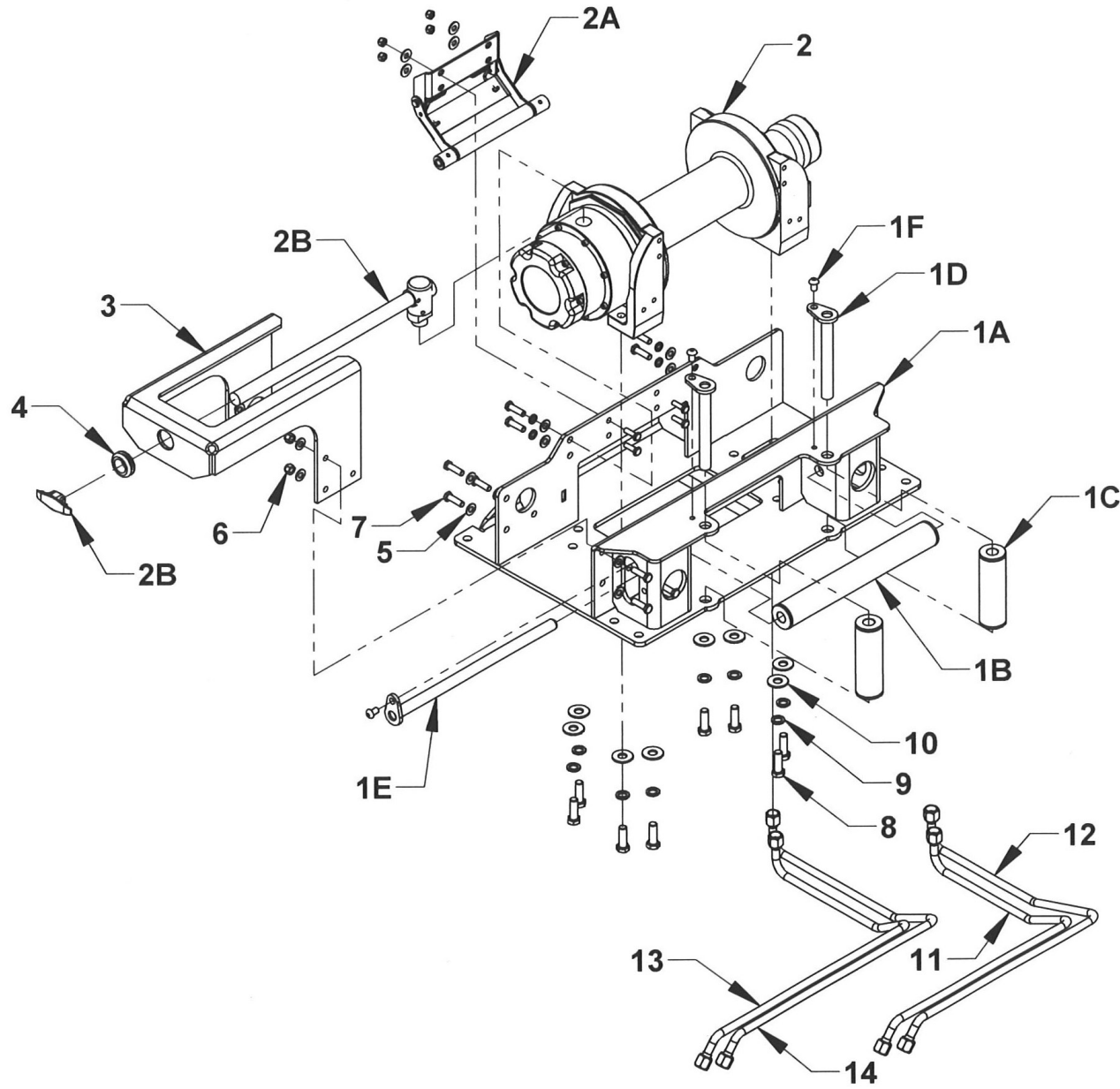


## Section VI - PARTS

### RAMSEY H400 AIR-SHIFT WINCH GROUP

REF. NO.	NO. REQ'D	PART NUMBER	DESCRIPTION
1	1	0940349	RAMSEY H400 MOUNTING FRAME
1A	1	0809929	RAMSEY H400 WINCH MOUNTING FRAME
1B	1	0940218	ROLLER ASSEMBLY - 1.75 DIAMETER
1C	2	0809931	VERTICAL ROLLER KEEPER PIN - RAMSEY 400
1D	3	0403004	BOLT BHCS 3/8-16 UNC x 3/4 ZP
1E	1	0809612	HORIZONTAL ROLLER KEEPER PIN - RAMSEY400
1F	2	A90148	ROLLER ASSEMBLY - 1.50 DIAMETER
2	1	0302149	RAMSEY H400 WINCH
3	1	0302148	RAMSEY H400 WINCH MOTOR
4	1	0901196	CABLE TENSIONER ASSEMBLY
5	4	0403153	BOLT HHCS 7/16-14 UNC x 1-3/4
6	6	0400487	WASHER 7/16 LOCK
7	2	0403152	BOLT FSCS 7/16-14 UNC x 3/4
8	8	0400480	WASHER 3/8 FLAT
9	2	0400392	NUT NYLOCK 3/8-16 ZP
10	2	0400132	BOLT HHCS 3/8-16 UNC x 1-1/2
11	2	0400177	BOLT HHCS 1/2-13 UNC x 1-1/4
12	1	0752704	RETURN SPRING BOLT
13	1	0300324G	VALUE SOLENOID AIR CONTROL
14	2	0710919	CLUTCH CONTROL SPRING HOLDER
15	1	0403043	BOLT HHCS 1/4-20 UNC x 1
16	2	0400451	WASHER 1/4 FLAT
17	1	0400367	NUT NYLOCK 1/4-20 ZP
18	1	0403031	BOLT HHCS 3/8-16 UNC x 2
19	1	0403025	WASHER 3/8 x 1 OD FLAT
20	1	0308711	AIR CYLINDER 2 IN. STROKE
21	1	0809705	BELL CRANK ARM
22	1	0306011	COMPRESSION SPRING
23	1	0400398	NUT NYLOCK JAM 3/8-16 ZP
24	2	0400412	NUT NYLOCK JAM 1/2-13 UNC
25	21	0701172-H400	RAMSEY H400 SHIM
26	1	0752151	RAMSEY MOTOR GUARD - VERTICAL CHANNEL
27	1	0752152	MOTOR GUARD COVER PLATE
28	2	0400482	WASHER 3/8 LOCK
29	2	0400121	BOLT HHCS 3/8-16 UNC x 3/4
30	1	0752167-H400	WINCH MOTOR FLUID TUBE CNV H400-SHORT
31	1	0752168-H400	WINCH MOTOR FLUID TUBE CVN H400-LONG
32	1	0751974-H400	WINCH MOTOR FLUID TUBE LCG H400-SHORT
33	1	0751975-H400	WINCH MOTOR FLUID TUBE LCG H400-LONG
34	2	0301388	ADAPTOR 8MJ-8MB 90 DEGREES
35	2	0400234	BOLT HHCS 7/16-14 UNC x 1-1/4

**Section VI - PARTS**  
**8K COMEUP WINCH - 0940283-0810AM**

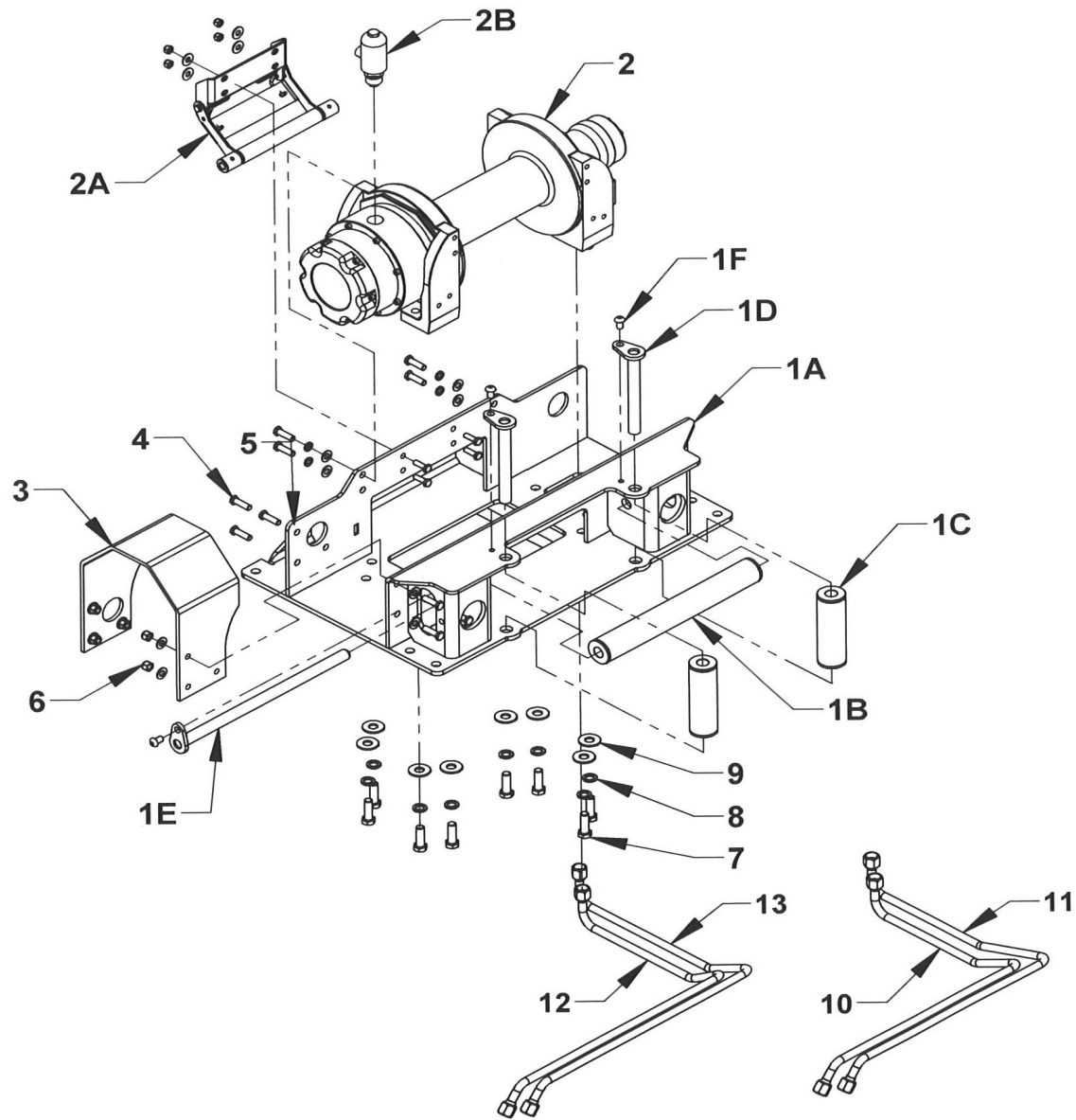


## Section VI - PARTS

### 8K COMEUP WINCH - 0940283-0810AM

REF. NO.	NO. REQ'D	PART NUMBER	DESCRIPTION
1	1	0940281	COMEUP 8K-12K WINCH FRAME ASSEMBLY
1A	1	0809713	COMEUP FRAME WELDMENT
1B	1	A901520	ROLLER ASSEMBLY - 1.750 DIAMETER x 13.500
1C	2	0809640	ROLLER ASSEMBLY - 1.750 DIAMETER x 5.625
1D	2	0809641	ROLLER GUIDE KEEPER PIN - 6.348
1E	1	A901525	ROLLER GUIDE KEEPER PIN - 14.535
1F	3	0403161	BOLT, BHCS 3/8-16 UNC x 5/8
2	1	0308986-0810AM	COMEUP 8K WINCH-ROTATION MANUAL SHIFT
		0308986-1210AM	COMEUP 12K WINCH-ROTATION MANUAL SHIFT
		0308986-1510AM	COMEUP 15K WINCH-ROTATION MANUAL SHIFT
2A	1	0320128	COMEUP WINCH TENSIONER
2B	1	032012	COMEUP T-HANDLE CLUTCH - 16
3	1	0751978	COMEUP T-HANDLE SUPPORT BRACKET
4	1	98718	GROMMET 1.00 ID x 0.25 GROOVE
5	12	0400465	FLAT WASHER 3/8
6	6	0400392	NUT NYLOK 3/8-16 UNC
7	6	0400148	BOLT HHCS 3/8-16 UNC x 1-1/2 GR5
8	8	0400181	BOLT HHCS 1/2-13 UNC x 1-1/2 GR5
9	8	0400491	LOCK WASHER 1/2
10	8	0400492	WASHER 1/2
11	1	0752167-C	S10 G2-COMEUP 8K SHORT
12	1	0752168-C	S10 G2-COMEUP 8K LONG
13	1	0751974-C	S12 G2-COMEUP 8K SHORT
14	1	0751975-C	S12 G2-COMEUP 8K LONG

Section VI - PARTS  
8K COMEUP WINCH - 0940283-0810AA



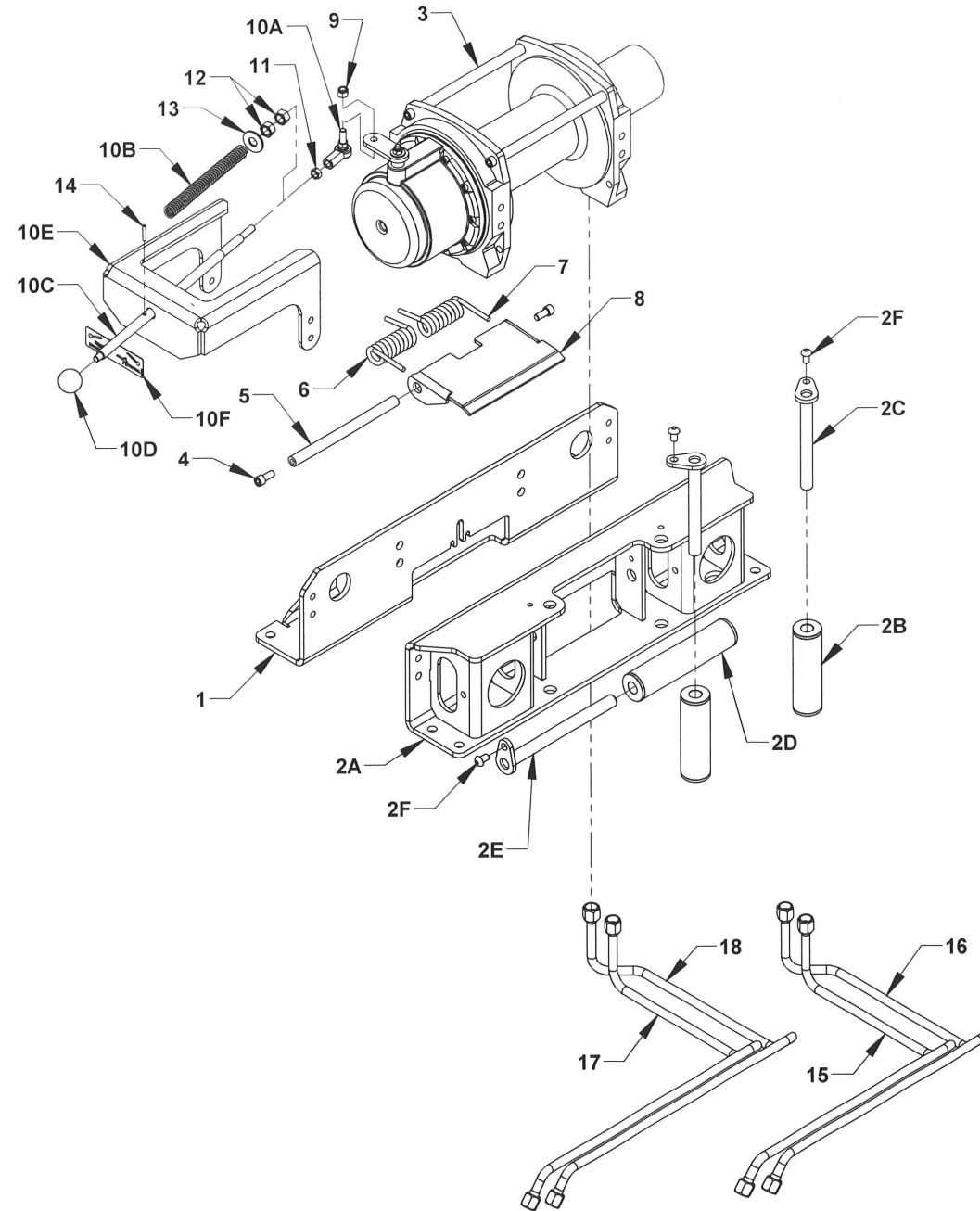
## Section VI - PARTS

### 8K COMEUP WINCH - 0940283-0810AA

REF. NO.	NO. REQ'D	PART NUMBER	DESCRIPTION
1	1	0940281	COMEUP 8K-12K WINCH FRAME ASSEMBLY
1A	1	0809713	COMEUP FRAME WELDMENT
1B	1	A901520	ROLLER ASSEMBLY - 1.750 DIAMETER x 13.500
1C	2	0809640	ROLLER ASSEMBLY - 1.750 DIAMETER x 5.625
1D	2	0809641	ROLLER GUIDE KEEPER PIN - 6.348
1E	1	A901525	ROLLER GUIDE KEEPER PIN - 14.535
1F	3	0403161	BOLT, BHCS 3/8-16 UNC x 5/8
2	1	0308986-0810AM	COMEUP 8K WINCH-ROTATION MANUAL SHIFT
		0308986-1210AM	COMEUP 12K WINCH-ROTATION MANUAL SHIFT
		0308986-1510AM	COMEUP 15K WINCH-ROTATION MANUAL SHIFT
2A	1	0320128	COMEUP WINCH TENSIONER
2B	1	0308955	COMEUP FREESPOOL AIR CYLINDER
3	1	0752482	COMEUP AIR CYLINDER GUARD
4	6	0400148	BOLT HHCS 3/8-16 UNC x 1-1/2 GR5
5	12	0400480	FLAT WASHER 3/8
6	6	040392	NUT NYLOK 3/8-16 UNC
7	8	0400181	BOLT HHCS 1/2-13 UNC x 1-1/2 GR5
8	8	0400491	LOCK WASHER 1/2
9	8	0400492	WASHER 1/2
10	1	0752167-C	S10 G2-COMEUP 8K SHORT
11	1	0752168-C	S10 G2-COMEUP 8K LONG
12	1	0751974-C	S12 G2-COMEUP 8K SHORT
13	1	0751975-C	S12 G2-COMEUP 8K LONG



**Section VI - PARTS**  
**WARN WINCH - MANUAL FREE SPOOL**

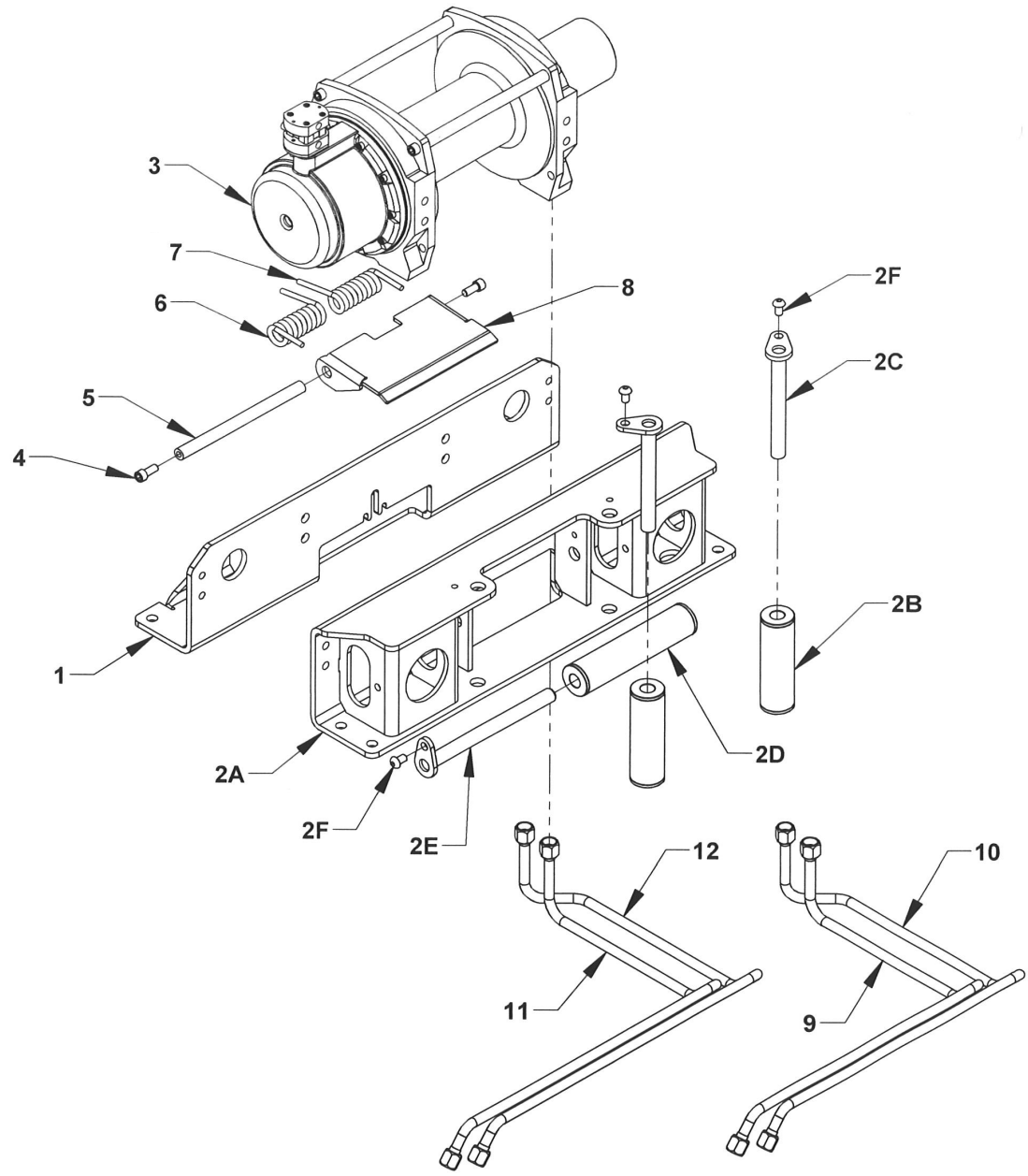


## Section VI - PARTS

### WARN WINCH - MANUAL FREE SPOOL

REF. NO.	NO. REQ'D	PART NUMBER	DESCRIPTION
1	1	0809644	MTG FRAME WELDMENT - FRONT
2	1	0940240	WARN MTG FRAME REAR ASSEMBLY
2A	1	0809639	MTG FRAME WLDMNT - ROLLER GUIDE REAR
2B	2	0809640	ROLLER GUIDE BUSHING 1.75 x 5.625
2C	2	0809641	ROLLER GUIDE KEEPER PIN
2D	1	A9R281	ROLLER GUIDE BUSHING 1.75 x 7.875
2E	1	A902095	ROLLER GUIDE KEEPER PIN
2F	3	0403161	BOLT, BHCS 3/8-16 UNC x 5/8
3	1	0308936-0908AM	WINCH 9K, 8 IN. DRUM MANUAL SHIFT
		0308936-1208AM	WINCH 12K, 8 IN. DRUM MANUAL SHIFT
		0308936-1508AM	WINCH 15K, 8 IN. DRUM MANUAL SHIFT
4		0403109	BOLT, SHCS 3/8-16 UNC x 7/8
5	2	0751337	TENSION PLATE PIVOT ROD
6	1	0308935R	TENSION SPRING
7	1	0308935L	TENSION SPRING
8	1	0751268	TENSION PLATE
9	1	0400392	NYLON LOCK NUT 3/8-16 UNC
10	1	0940252	CLUTCH CONTROL ASSEMBLY WARN WINCH
10A	1	718732	ROD END BEARING
10B	1	71875	WINCH SPRING
10C	1	71873	WINCH CLUTCH ROD
10D	1	718731	WINCH CLUTCH ROD KNOB
10E	1	0751267	WINCH-MANUAL FREE SPOOL BRACKET
10F	1	0540017	FREE SPOOL DECAL WARN WINCH
11	1	0402122	HEX NUT 3/8-16 UNC, SS
12	1	0400407	HEX NUT 1/2-13 UNC
13	2	0400492	FLAT WASHER 1/2
14	1	0400559	SPLIT PIN 3/16 x 1
15	1	0752167-W	S10 G2 WARN FLUID TUBE-SHORT
16	1	0752168-W	S10 G2 WARN FLUID TUBE-LONG
17	1	0751974-W	S12 G2 WARN FLUID TUBE-SHORT
18	1	0751975-W	S12 G2 WARN FLUID TUBE-LONG

**Section VI - PARTS  
WARN WINCH - AIR FREE SPOOL**



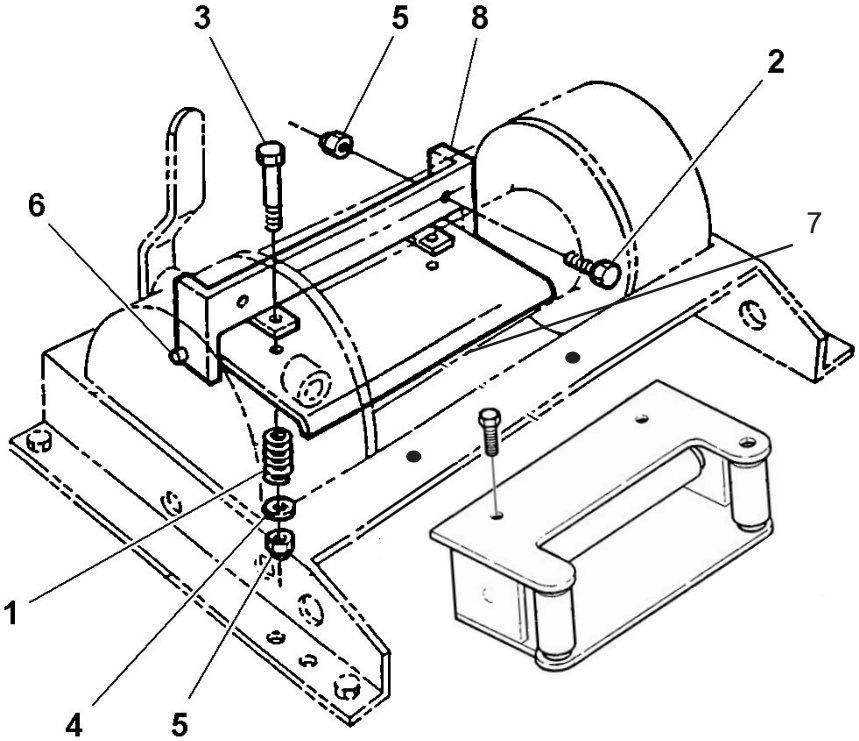
## Section VI - PARTS

### WARN WINCH - AIR FREE SPOOL

REF. NO.	NO. REQ'D	PART NUMBER	DESCRIPTION
1	1	0809644	MTG FRAME WELDMENT - FRONT
2	1	0940240	WARN MTG FRAME REAR ASSEMBLY
2A	1	0809639	MTG FRAME WLDMNT - ROLLER GUIDE REAR
2B	2	0809640	ROLLER GUIDE BUSHING 1.75 x 5.625
2C	2	0809641	ROLLER GUIDE KEEPER PIN
2D	1	A9R281	ROLLER GUIDE BUSHING 1.75 x 7.875
2E	1	A902095	ROLLER GUIDE KEEPER PIN
2F	3	0403161	BOLT, BHCS 3/8-16 UNC x 5/8
3	1	0308936-0908AA	WINCH 9K, 8 IN. DRUM AIR SHIFT
	1	0308936-1208AA	WINCH 12K, 8 IN. DRUM AIR SHIFT
	1	0308936-1508AA	WINCH 15K, 8 IN. DRUM AIR SHIFT
4	2	0403109	BOLT, SHCS 3/8-16 UNC x 7/8
5	1	0751337	TENSION PLATE PIVOT ROD
6	1	0308935R	TENSION SPRING
7	1	0308935L	TENSION SPRING
8	1	0751268	TENSION PLATES
9	1	0752167-W	S10 G2 WARN FLUID TUBE-SHORT
10	1	0752168-W	S10 G2 WARN FLUID TUBE-LONG
11	1	0751974-W	S12 G2 WARN FLUID TUBE-SHORT
12	1	0751975-W	S12 G2 WARN FLUID TUBE-LONG

## Section VI - PARTS

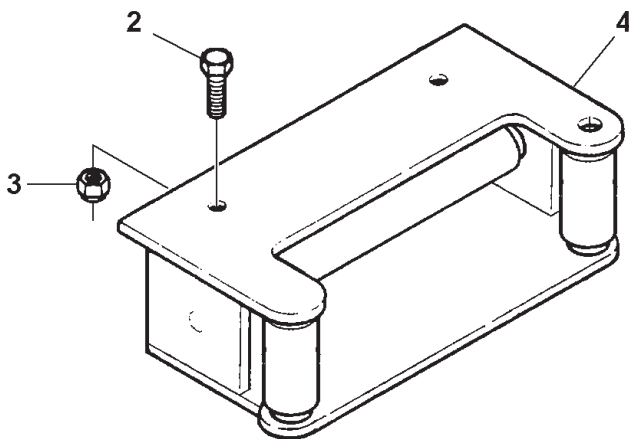
### CABLE TENSIONER ASSEMBLY (STANDARD 4-TON WINCH)



REF. NO.	NO. REQ'D	PART NUMBER	DESCRIPTION
1	2	0301729	TENSIONING SPRING
2	2	0400126	SCREW, 3/8"-16 x 1" HEX HD CAP
3	2	0400130	SCREW, 3/8"-16 x 3-1/2" HEX HD CAP
4	2	0400480	WASHER, 3/8" FLAT
5	4	0400392	NUT, 3/8"-16 HEX NYLOK
6	2	0400554	ROLL PIN, 3/8" x 1"
7	1	0800908	TENSIONING PLATE
8	1	0800909	CABLE TENSIONER BRACKET
	1	124001329	CABLE TENSIONER ASSEMBLY

## Section VI - PARTS

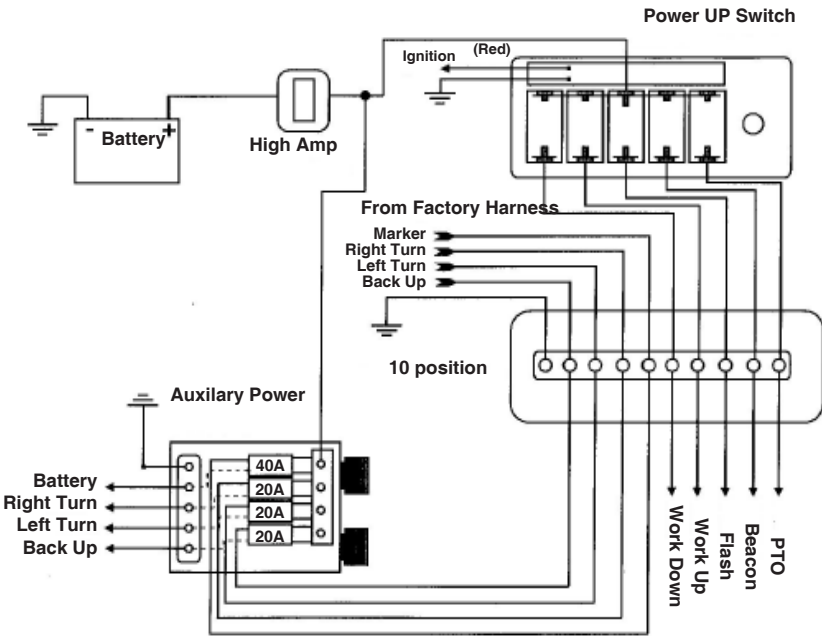
### CABLE ROLLER ASSEMBLY



REF. NO.	NO. REQ'D	PART NUMBER	DESCRIPTION
1	--	0900892	<b>CABLE ROLLER ASSEMBLY</b>
2	2	0400177	SCREW, 1/2"-13 x 1-1/4" HEX HD
3	2	0400408	NUT, 1/2"-13 NYLOK
4	1	0805037	CABLE ROLLER GUIDE WELDMENT

# Section VI - PARTS

## OPTIONAL DASHBOARD PANEL

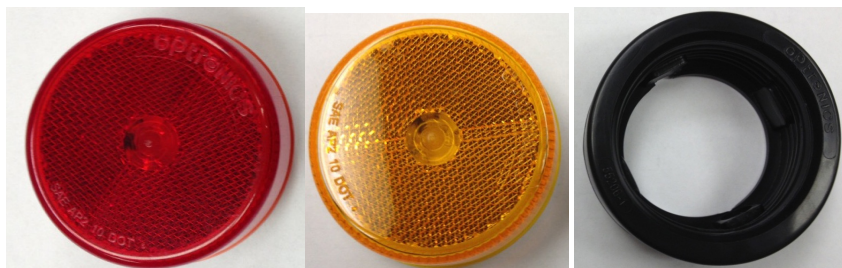


## Section VI - PARTS

### LIGHT KIT



REF. NO.	PART NUMBER	DESCRIPTION
1	0311498	LIGHT 6" OVAL RED LED - STOP/TURN
2	0311500	LIGHT 6" OVAL REVERSE LED
3	3011503	LIGHT 6" GROMMET



REF. NO.	PART NUMBER	DESCRIPTION
1	0311512	LIGHT 2.5" RED REFLEX LED (MCL59RB)
2	0311513	LIGHT 2.5" AMBER REFLEX LED (MCL59AB)
3	0311516	LIGHT 2.5" GROMMET

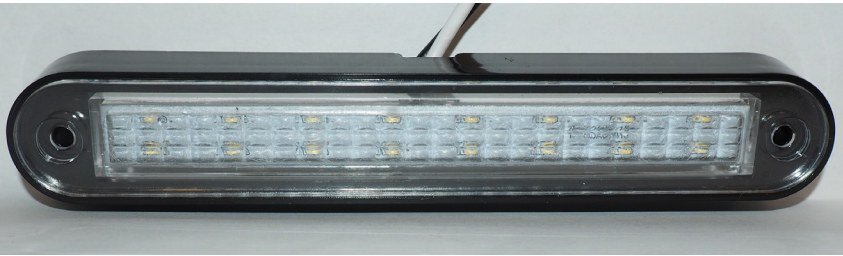


## Section VI - PARTS

### LIGHT KIT



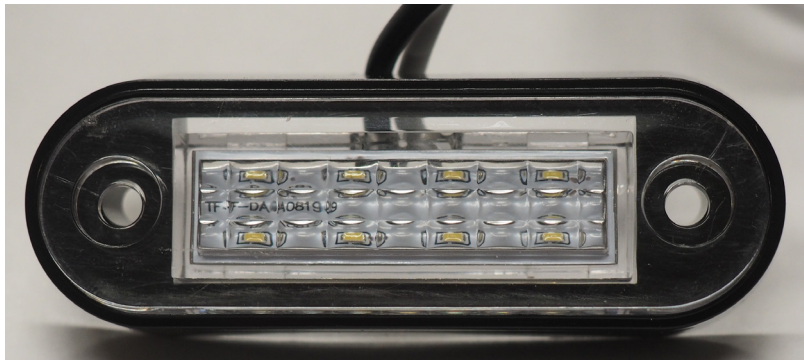
REF. NO.	PART NUMBER	DESCRIPTION
1	0311514	LIGHT 2.5" ROUND CLEAR/RED LED MARKER LIGHT
2	0311515	LIGHT 2.5" ROUND CLEAR/AMBER LED MARKER LIGHT
3	3011516	LIGHT 2.5" GROMMET



REF. NO.	PART NUMBER	DESCRIPTION
1	0320162	6 IN. CONTROL STATION LED LIGHT

## Section VI - PARTS

### LIGHT KIT & PRESSURE GAUGE



REF. NO.	PART NUMBER	DESCRIPTION
1	0320161	3 IN. CONTROL STATION LED LIGHT



REF. NO.	PART NUMBER	DESCRIPTION
1	0320157	2 IN. HYDRAULIC PRESSURE GAUGE

# Section VI - PARTS

## LIGHT KIT



REF. NO.	PART NUMBER	DESCRIPTION
1	0311519	RED 3/4 LED ICC LIGHT



REF. NO.	PART NUMBER	DESCRIPTION
1	0311520	RED 3/4 LED LIGHT

## Section VI - PARTS

### LIGHT KIT



REF. NO.	PART NUMBER	DESCRIPTION
1	0311521	AMBER 3/4 ROUND LED LIGHT



REF. NO.	PART NUMBER	DESCRIPTION
1	0311522	CLEAR/RED 3/4 ROUND LED LIGHT



REF. NO.	PART NUMBER	DESCRIPTION
1	0311523	CLEAR/AMBER 3/4 ROUND LED LIGHT

## Section VI - PARTS

### LIGHT KIT



REF. NO.	PART NUMBER	DESCRIPTION
1	0308359	MARKER LIGHT RED REFLEX LED



REF. NO.	PART NUMBER	DESCRIPTION
1	0308360	MARKER LIGHT AMBER REFLEX LED

## Section VI - PARTS

### LIGHT KIT



REF. NO.	PART NUMBER	DESCRIPTION
1	0308969R	MARKER LIGHT RED REFLEX LED



REF. NO.	PART NUMBER	DESCRIPTION
1	0308969A	MARKER LIGHT AMBER REFLEX LED

## Section VI - PARTS

### LIGHT KIT



REF. NO.	PART NUMBER	DESCRIPTION
1	0312578	MILLENNIUM MARKER LIGHT CLEAR/AMBER



REF. NO.	PART NUMBER	DESCRIPTION
1	0312579	MILLENNIUM MARKER LIGHT CLEAR/RED

## Section VI - PARTS

### LIGHT KIT



REF. NO.	PART NUMBER	DESCRIPTION
1	0308491	REFLECTOR - AMBER

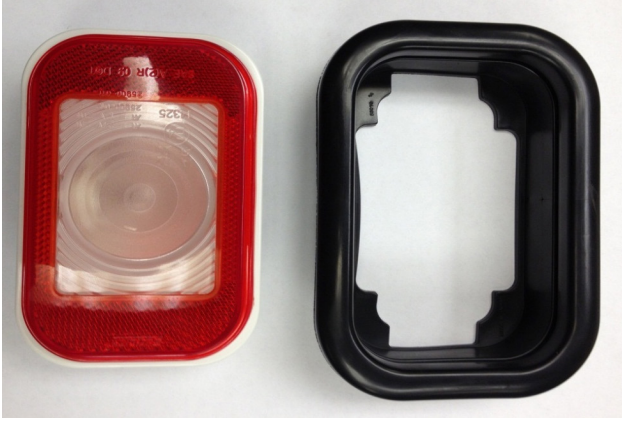


REF. NO.	PART NUMBER	DESCRIPTION
1	0308490	REFLECTOR - RED



## Section V - PARTS

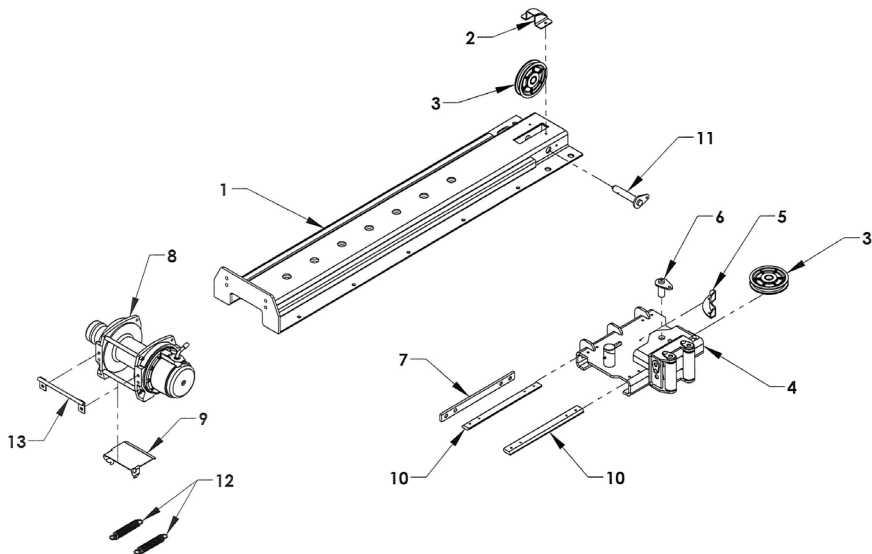
### LIGHT KIT



REF. NO.	PART NUMBER	DESCRIPTION
1	0311510	RECTANGULAR REFLEX BACK UP
1	0311511	RECTANGULAR REFLEX BACK UP GROMMET

# Section VI - PARTS

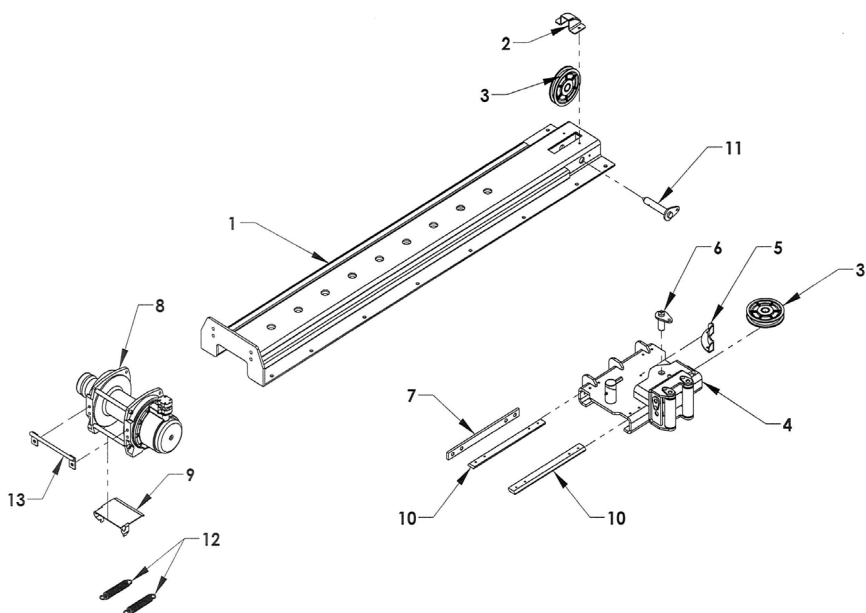
## MANUAL SLIDEWINDER (SHORT TRACK)



REF. NO.	NO. REQ'D	PART NUMBER	DESCRIPTION
1	1	315210	SLIDE TRACK - SHORT
2	1	315225	CABLE GUIDE
3	2	69125	6 x 1 PULLEY
4	1	315310	SLIDE CARRIAGE
5	1	315325	CABLE GUIDE
6	1	315330	PULLEY PIN
7	1	315323	FRONT SLIDE PAD
8	1	711096	SERIES 9 WINCH - 6.5 INCH DRUM
	1	711126	SERIES 12 WINCH - 6.5 INCH DRUM
9	1	A90065	CABLE TENSIONER PLATE
10	2	315320	SLIDE PAD
11	1	315230	PULLEY PIN
12	2	A9018S	TENSION SPRING 40 LB/INCH
13	1	7189065	AIR LINE TRANSFER BRACKET

## Section VI - PARTS

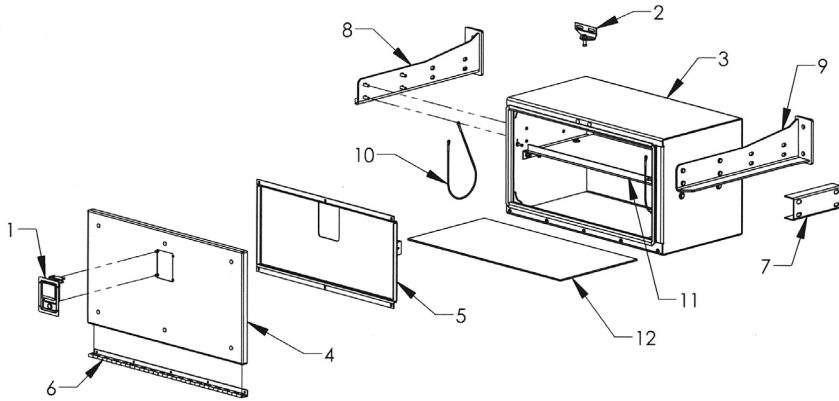
### MANUAL SLIDEWINDER (LONG TRACK)



REF. NO.	NO. REQ'D	PART NUMBER	DESCRIPTION
1	1	315214	SLIDE TRACK - LONG
2	1	315225	CABLE GUIDE
3	2	69125	6 x 1 PULLEY
4	1	315310	SLIDE CARRIAGE
5	1	315325	CABLE GUIDE
6	1	315330	PULLEY PIN
7	1	315323	FRONT SLIDE PAD
8	1	711096	SERIES 9 WINCH - 6.5 INCH DRUM
	1	711126	SERIES 12 WINCH - 6.5 INCH DRUM
9	1	A90065	CABLE TENSIONER PLATE
10	2	315320	SLIDE PAD
11	1	315230	PULLEY PIN
12	2	A9018S	CABLE TENSIONER SPRING
13	1	7189065	AIR LINE TRANSFER BRACKET

## Section VI - PARTS

### 33" ALUMINUM TOOLBOX - 377000

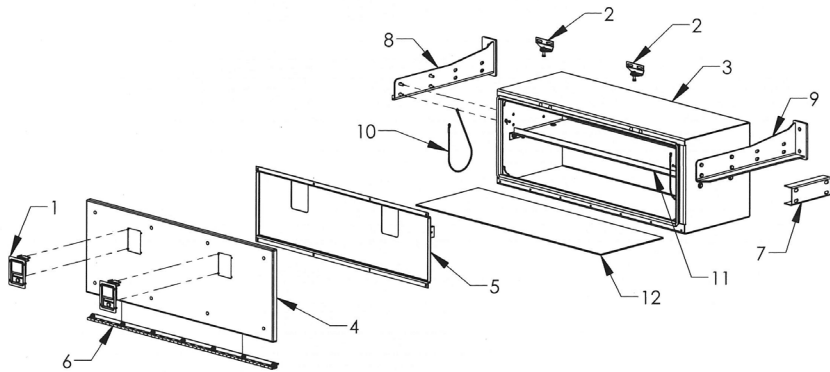


NOTE: 377000 DOES NOT INCLUDE MOUNTING BRACKETS

REF	PART #	DESCRIPTION	QPU
1	54658	ROTARY PADDLE LATCH	1
	54657	GASKET FOR PADDLE LATCH	1
	81111	#8-32 X 1/2 STAINLESS ONE WAY SCREW	4
	83111	#8-32 STAINLESS KEPT NUT	4
2	376182	STRIKER PIN MOUNTING PLATE	1
	54659	STRIKER PIN	1
	81115	STAINLESS CARRIAGE BOLT 5/16-18 x 3/4	2
	82110	FLAT WASHER 5/16	4
	82130	LOCK WASHER 5/16	2
	83110	NUT 5/16-18	2
	83125	NYLON LOCK NUT 5/16-18	1
	3	377100W	BOX WELDMENT
4	37741	DOOR WELDMENT	1
	37740	DOOR ASSEMBLY	1
	81100	STAINLESS CARRIAGE BOLT 1/4-20 x 3/4	6
	83105	NYLON LOCK NUT 1/4-20	6
5	37744	DOOR REINFORCEMENT	1
	6	37735	HINGE
811014		SS SOCKET BUTTON HEAD BOLT 1/4-20 x 7/8	2
811012		SS SOCKET BUTTON HEAD BOLT 1/4-20 x 3/4	3
811010		SS SOCKET BUTTON HEAD BOLT 1/4-20 x 5/8	5
83105		NYLON LOCK NUT 1/4-20	10
7	37760	TANDEM BOX SPACER CHANNEL (OPTIONAL)	1
8	37855R	TANK AND TOOLBOX MT BRACKET-RIGHT	1
9	37855L	TANK AND TOOLBOX MT BRACKET-LEFT	1
10	5A221	LANYARD-21 INCH	2
11	37770	SHELF	1
12	030002300	TOOL BOX MAT 33"	1

## Section VI - PARTS

### 49" ALUMINUM TOOLBOX - 378000

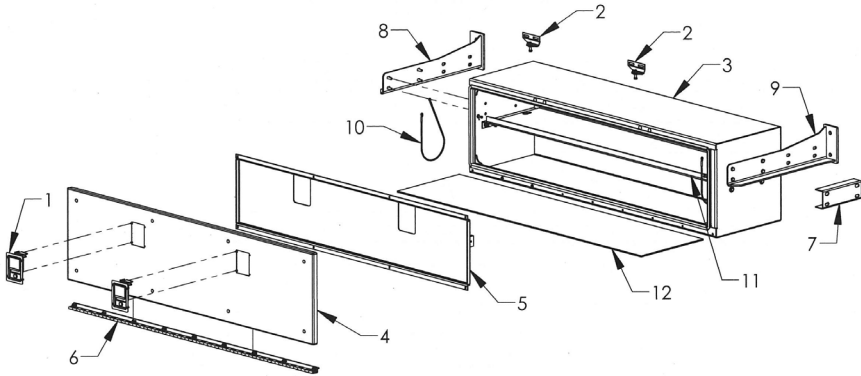


NOTE: 378000 DOES NOT INCLUDE MOUNTING BRACKETS

REF	PART #	DESCRIPTION	QPU
1	54658	ROTARY PADDLE LATCH	1
	54657	GASKET FOR PADDLE LATCH	1
	81111	#8-32 X 1/2 STAINLESS ONE WAY SCREW	4
	83111	#8-32 STAINLESS KEPT NUT	4
2	376182	STRIKER PIN MOUNTING PLATE	1
	54659	STRIKER PIN	1
	81115	STAINLESS CARRIAGE BOLT 5/16-18 x 3/4	2
	82110	FLAT WASHER 5/16	4
	82130	LOCK WASHER 5/16	2
	83110	NUT 5/16-18	2
	83125	NYLON LOCK NUT 5/16-18	1
	3	378100W	BOX WELDMENT
4	37841	DOOR WELDMENT	1
	37840	DOOR ASSEMBLY	1
	81100	STAINLESS CARRIAGE BOLT 1/4-20 x 3/4	6
	83105	NYLON LOCK NUT 1/4-20	6
5	37844	DOOR REINFORCEMENT	1
6	37835	HINGE	1
	811014	SS SOCKET BUTTON HEAD BOLT 1/4-20 x 7/8	2
	811012	SS SOCKET BUTTON HEAD BOLT 1/4-20 x 3/4	3
	811010	SS SOCKET BUTTON HEAD BOLT 1/4-20 x 5/8	5
	83105	NYLON LOCK NUT 1/4-20	10
7	37760	TANDEM BOX SPACER CHANNEL (OPTIONAL)	1
8	37855R	TANK AND TOOLBOX MT BRACKET-RIGHT	1
9	37855L	TANK AND TOOLBOX MT BRACKET-LEFT	1
10	5A221	LANYARD-21 INCH	2
11	37670	SHELF	1
12	030002301	TOOL BOX MAT 49"	1

## Section VI - PARTS

### 65" ALUMINUM TOOLBOX - 379000

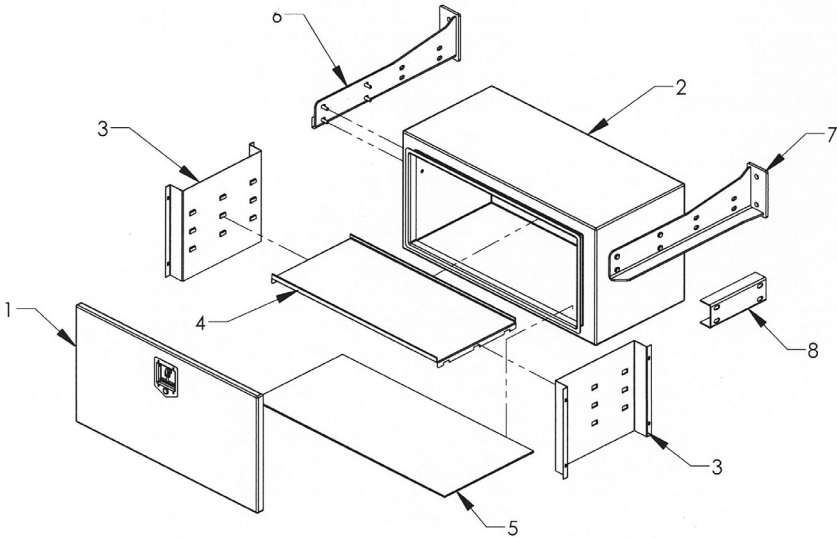


NOTE: 379000 DOES NOT INCLUDE MOUNTING BRACKETS

REF	PART #	DESCRIPTION	QPU
1	54658	ROTARY PADDLE LATCH	1
	54657	GASKET FOR PADDLE LATCH	1
	81111	#8-32 X 1/2 STAINLESS ONE WAY SCREW	4
	83111	#8-32 STAINLESS KEPT NUT	4
2	376182	STRIKER PIN MOUNTING PLATE	1
	54659	STRIKER PIN	1
	81115	STAINLESS CARRIAGE BOLT 5/16-18 x 3/4	2
	82110	FLAT WASHER 5/16	4
	82130	LOCK WASHER 5/16	2
	83110	NUT 5/16-18	2
	83125	NYLON LOCK NUT 5/16-18	1
3	379100W	BOX WELDMENT	1
4	37941	DOOR WELDMENT	1
	37940	DOOR ASSEMBLY	1
	81100	STAINLESS CARRIAGE BOLT 1/4-20 x 3/4	6
	83105	NYLON LOCK NUT 1/4-20	6
5	37944	DOOR REINFORCEMENT	1
6	37935	HINGE	1
	811014	SS SOCKET BUTTON HEAD BOLT 1/4-20 x 7/8	2
	811012	SS SOCKET BUTTON HEAD BOLT 1/4-20 x 3/4	3
	811010	SS SOCKET BUTTON HEAD BOLT 1/4-20 x 5/8	5
	83105	NYLON LOCK NUT 1/4-20	10
7	37760	TANDEM BOX SPACER CHANNEL (OPTIONAL)	1
8	37855R	TANK AND TOOLBOX MT BRACKET-RIGHT	1
9	37855L	TANK AND TOOLBOX MT BRACKET-LEFT	1
10	5A221	LANYARD-21 INCH	2
11	37970	SHELF	1
12	030002302	TOOL BOX MAT 65"	1

## Section VI - PARTS

### 36" STEEL TOOLBOX - 174016021S

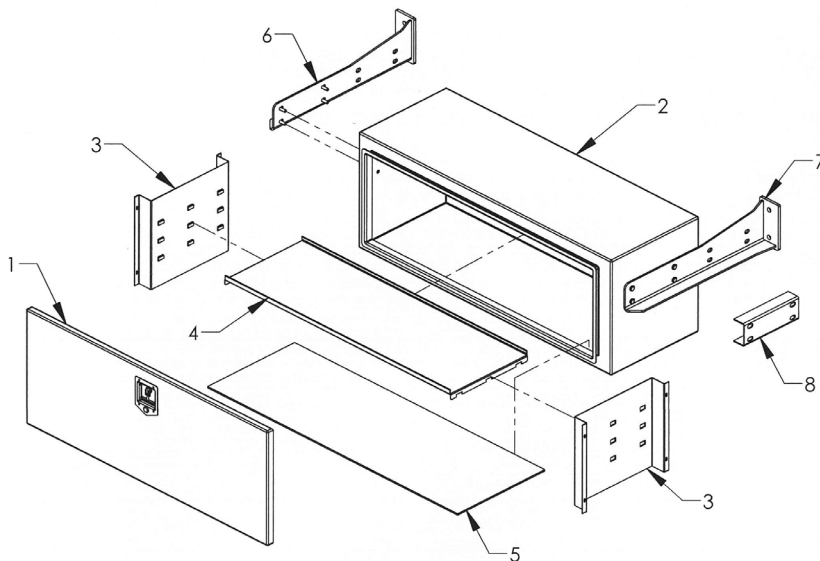


NOTE: 174016021S DOES NOT INCLUDE MOUNTING BRACKETS

REF	PART #	DESCRIPTION	QPU
1	174016021	DOOR ASSEMBLY	1
2	174016021S-BOX	BOX WELDMENT	1
3	07002918	STEEL TOOLBOX INSIDE PANEL	2
4	07002919-36	STEEL TOOLBOX 36" SHELF	1
5	0308801	TOOLBOX MAT 36"	1
6	37855R	TOOLBOX AND OIL TANK MTG BRACKET-RH	1
7	37855L	TOOLBOX AND OIL TANK MTG BRACKET-LH	1
8	37760	TANDEM BOX SPACER CHANNEL (OPT)	1

## Section VI - PARTS

### 48" STEEL TOOLBOX - 174016022S



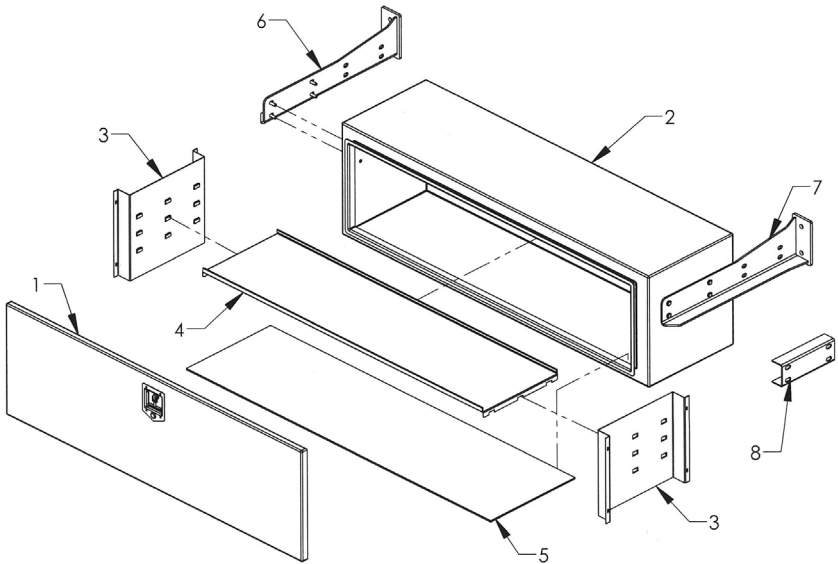
NOTE: 174016022S DOES NOT INCLUDE MOUNTING BRACKETS

REF	PART #	DESCRIPTION	QPU
1	174016022	DOOR ASSEMBLY	1
2	174016022S-BOX	BOX WELDMENT	1
3	07002918	STEEL TOOLBOX INSIDE PANEL	2
4	07002919-48	STEEL TOOLBOX 48" SHELF	1
5	0308758	TOOLBOX MAT 48"	1
6	37855R	TOOLBOX AND OIL TANK MTG BRACKET-RH	1
7	37855L	TOOLBOX AND OIL TANK MTG BRACKET-LH	1
8	37760	TANDEM BOX SPACER CHANNEL (OPT)	1



## Section VI - PARTS

### 60" STEEL TOOLBOX - 174016023S

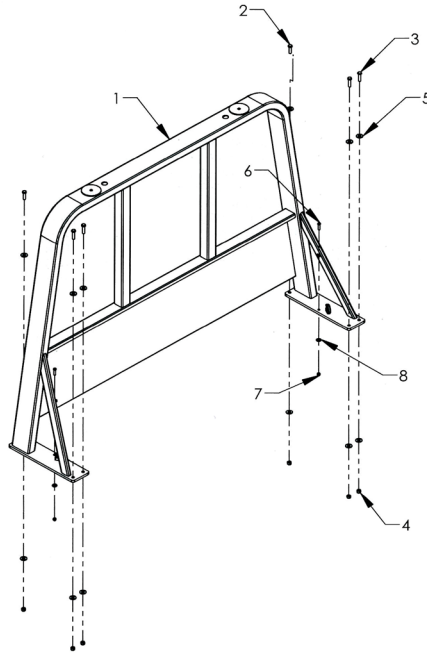


NOTE: 174016023S DOES NOT INCLUDE MOUNTING BRACKETS

REF	PART #	DESCRIPTION	QPU
1	174016023	DOOR ASSEMBLY	1
2	174016023S-BOX	BOX WELDMENT	1
3	07002918	STEEL TOOLBOX INSIDE PANEL	2
4	07002919-60	STEEL TOOLBOX 60" SHELF	1
5	0308837	TOOLBOX MAT 60"	1
6	37855R	TOOLBOX AND OIL TANK MTG BRACKET-RH	1
7	37855L	TOOLBOX AND OIL TANK MTG BRACKET-LH	1
8	37760	TANDEM BOX SPACER CHANNEL (OPT)	1

# Section VI - PARTS

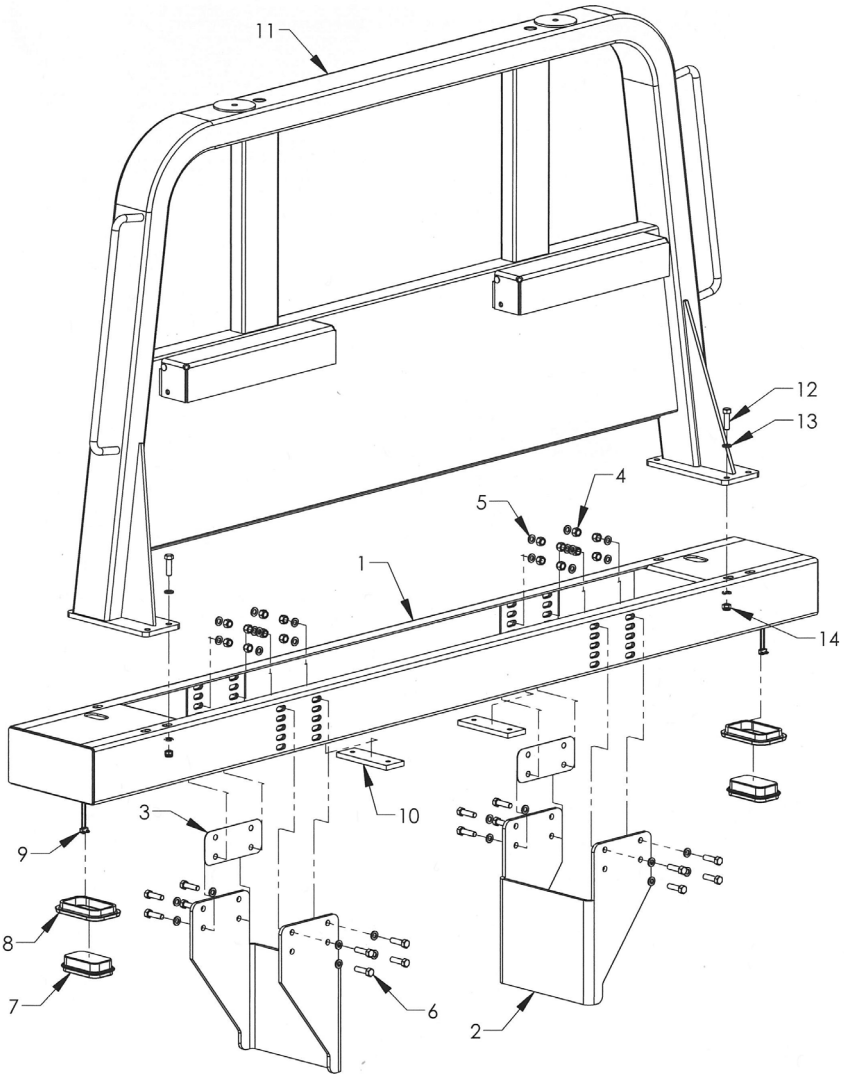
## BED MOUNTED CAB PROTECTOR



REF. NO.	NO. REQ'D	PART NUMBER	DESCRIPTION
1	1	0809558-38	2 x 5 PERIMETER TUBE CAB PROTECTOR - 38"
		0809558-42	2 x 5 PERIMETER TUBE CAB PROTECTOR - 42"
		0809558-45	2 x 5 PERIMETER TUBE CAB PROTECTOR - 45"
		0809558-48	2 x 5 PERIMETER TUBE CAB PROTECTOR - 48"
		0809558-50	2 x 5 PERIMETER TUBE CAB PROTECTOR - 50"
		0809558-52	2 x 5 PERIMETER TUBE CAB PROTECTOR - 52"
		0809558-54	2 x 5 PERIMETER TUBE CAB PROTECTOR - 54"
		0809558-57	2 x 5 PERIMETER TUBE CAB PROTECTOR - 57"
		0809558-60	2 x 5 PERIMETER TUBE CAB PROTECTOR - 60"
		0809558-64	2 x 5 PERIMETER TUBE CAB PROTECTOR - 64"
2	2	0400211	1/2 -13 x 1-3/4 HHCS GR 5 Z
3	4	0400188	1/2 -13 x 2 HHCS
4	6	0400408	1/2 -13 NYLON LOCK NUT ZINC
5	12	0400492	1/2 USS FLAT WASHER ZINC
6	2	0400132	3/8 -16 x 1-1/2 HHCS GR 5 Z
7	2	0400392	3/8 -16 NYLON LOCK NUT ZINC
8	4	0400480	3/8 - USS FLAT WASHER ZINC

# Section VI-PARTS

## FRAME MOUNTED PYLON - 0940455-102 LCG BASE ASSEMBLY



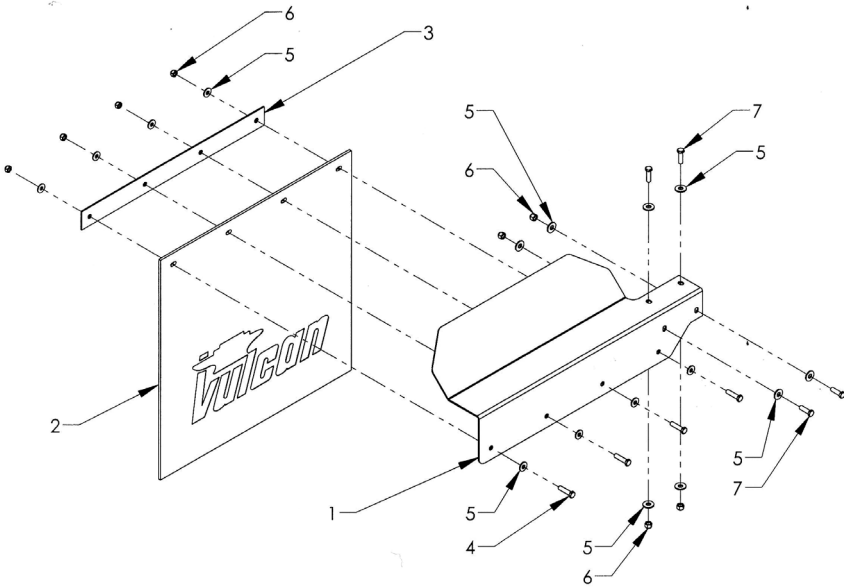
GRAB HANDLES AND CHAIN HANGERS ARE OPTIONAL PYLON EQUIPMENT

## Section VI - PARTS

### FRAME MOUNTED PYLON - 0940455-102

REF. NO.	NO. REQ'D	PART NUMBER	DESCRIPTION
1	1	0811186-102	FMP CONVENTIONAL CHAIN TRAY BASE - 102
2	2	0752751	PYLON MTG BRACKET, FMP LCG
3	2	0752730	SHIM, 16 GAGE, FMP BASE
4	16	0400408	NYLON LOCK NUT 1/2-13 UNC
5	32	0403040	FLAT WASHER 1/2 SAE ZP
6	16	0403058	BOLT HHCS 1/2-13 x 1-3/4 GR8 PLAIN
7	2	0311511	CARRIER TAIL LIGHT GROMMET
8	2	0311509	LIGHT RECT REVERSE LED
9	2	0311506	LIGHT PIGTAIL 2 PRONG 18 IN. LEAD
10	2	354614-050	FMP 1/2 IN. SPACER SERIES 12 LCG
		354614-100	FMP 1 IN. SPACER SERIES 16 LCG
		354614-150	FMP 1-1/2 IN. SPACER SERIES 20 LCG
		354614-075/175	FMP 2-1/2 IN. SPACER SERIES 20 LCG WOOD
		354614-050/175	FMP 2-1/4 IN. SPACER SERIES 30 LCG
		354614-150/175	FMP 3-1/4 IN. SPACER SERIES 30 LCG WOOD
11	1	0811185-48	FMP 12 PYLON-48
		0811185-50	FMP 12 PYLON-50
		0811185-52	FMP 12 PYLON-52
		0811185-56	FMP 12 PYLON-56
		0811185-60	FMP 12 PYLON-60
		0811185-63	FMP 12 PYLON-63
		0811185-68	FMP 12 PYLON-68
12	6	0403058	BOLT HHCS 1/2-13 x 1-3/4 GR8 PLAIN
13	12	0403040	FLAT WASHER 12 SAE ZP
14	6	0400408	NYLON LOCK NUT 1/2-13 UNC

## Section VI - PARTS MUDFLAP COMPONENTS



REF	PART #	DESCRIPTION	QPU
1	0751029L	MUDFLAP MOUNTING BRACKET (LH)	1
	0751029R	MUDFLAP MOUNTING BRACKET (RH)	1
2	9033233	MUDFLAP 24 x 24	1
3	0750340	MUDFLAP SUPPORT BAR	1
4	0400132	BOLT HHCS 3/8-16 UNC x 1-1/2	4
5	0400480	3/8 FLAT WASHER	16
6	0400392	3/8-16 NYLON LOCK NUT	16
7	0403154	BOLT HHCS 3/8-16 UNC x 1-1/4	4