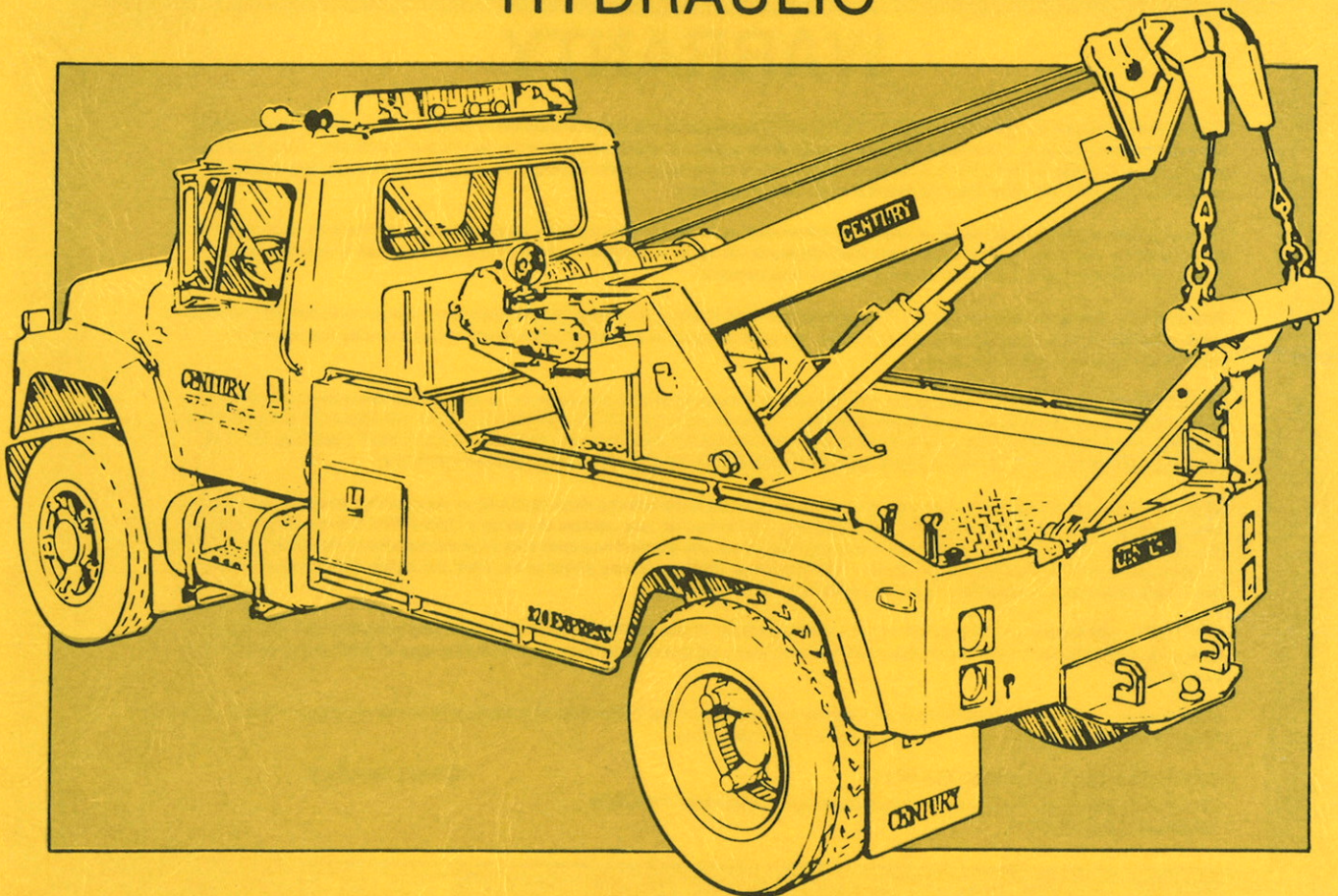


CENTURY

HYDRAULIC



OWNERS MANUAL

Installation, Operation, Maintenance & Parts

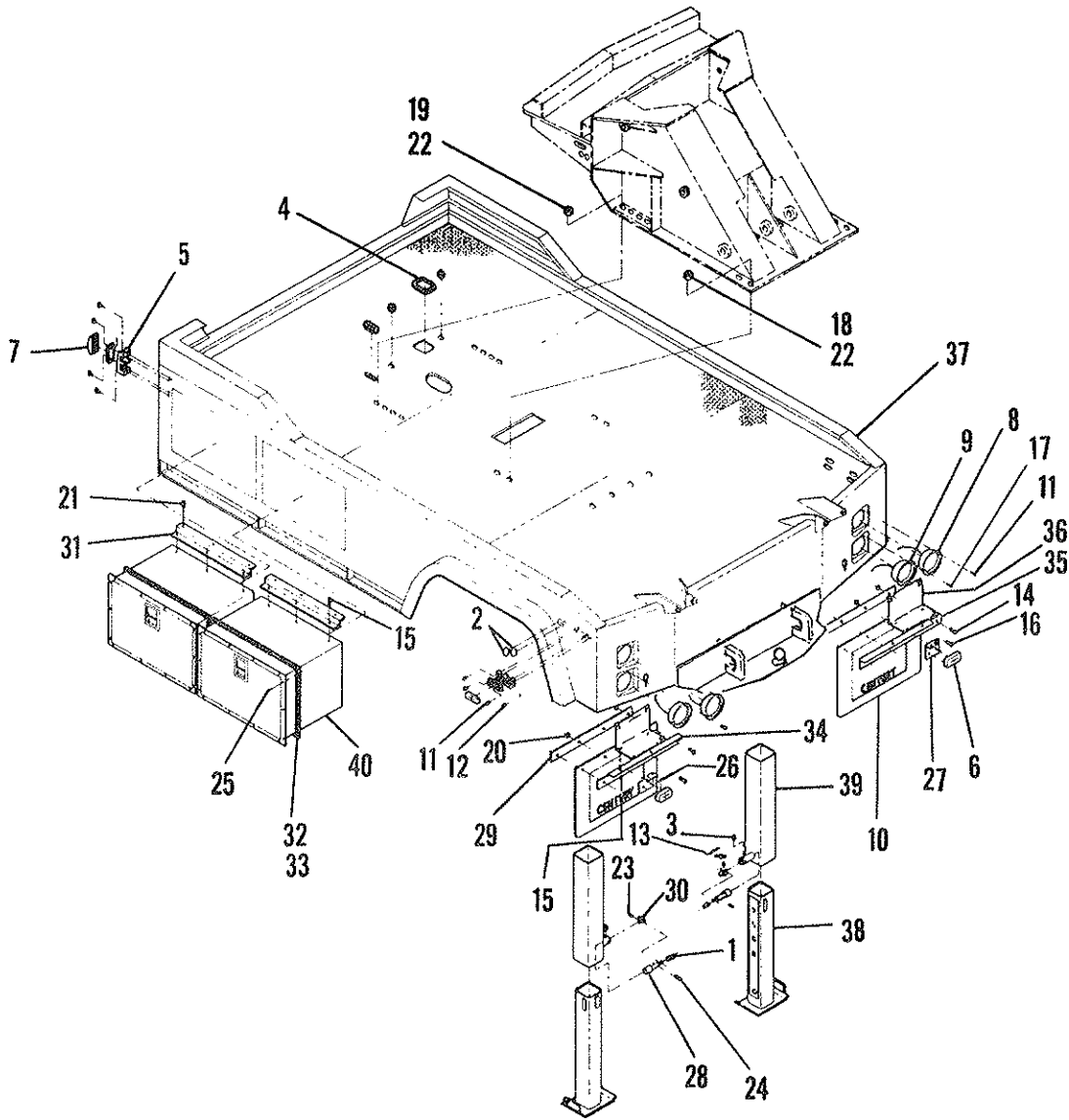
820 EXPRESS

**CENTURY®
WRECKER
CORPORATION**

I-75 at Ooltewah Exit #11 • 8503 Hilltop Drive • Ooltewah, Tennessee 37363 • (615) 238-4171

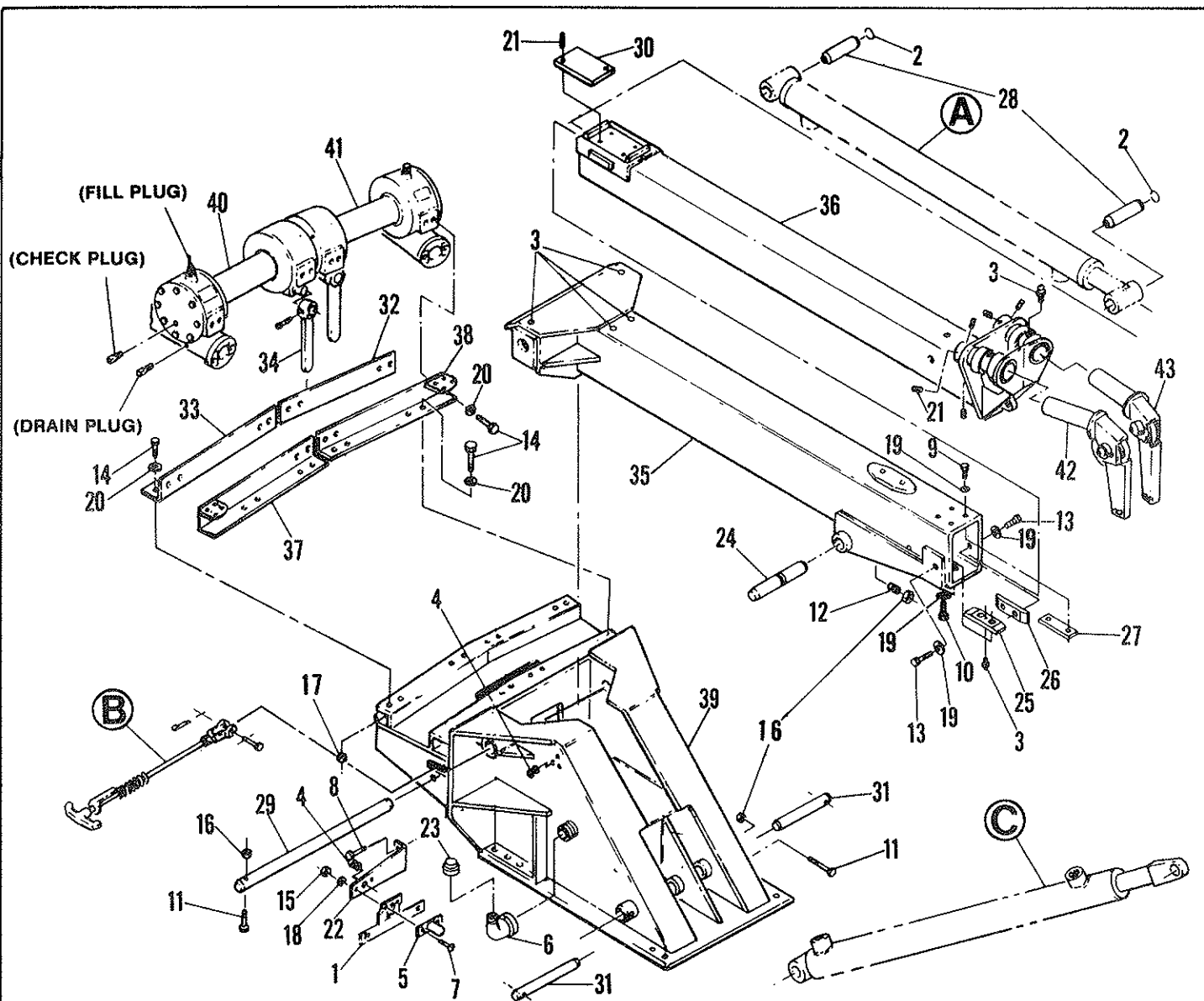
Mailing Address: P.O. Box 120 • Ooltewah, Tennessee 37363 • Telex: 856967 CENWKRTN UD

Form No. 0500134
Price \$15.00



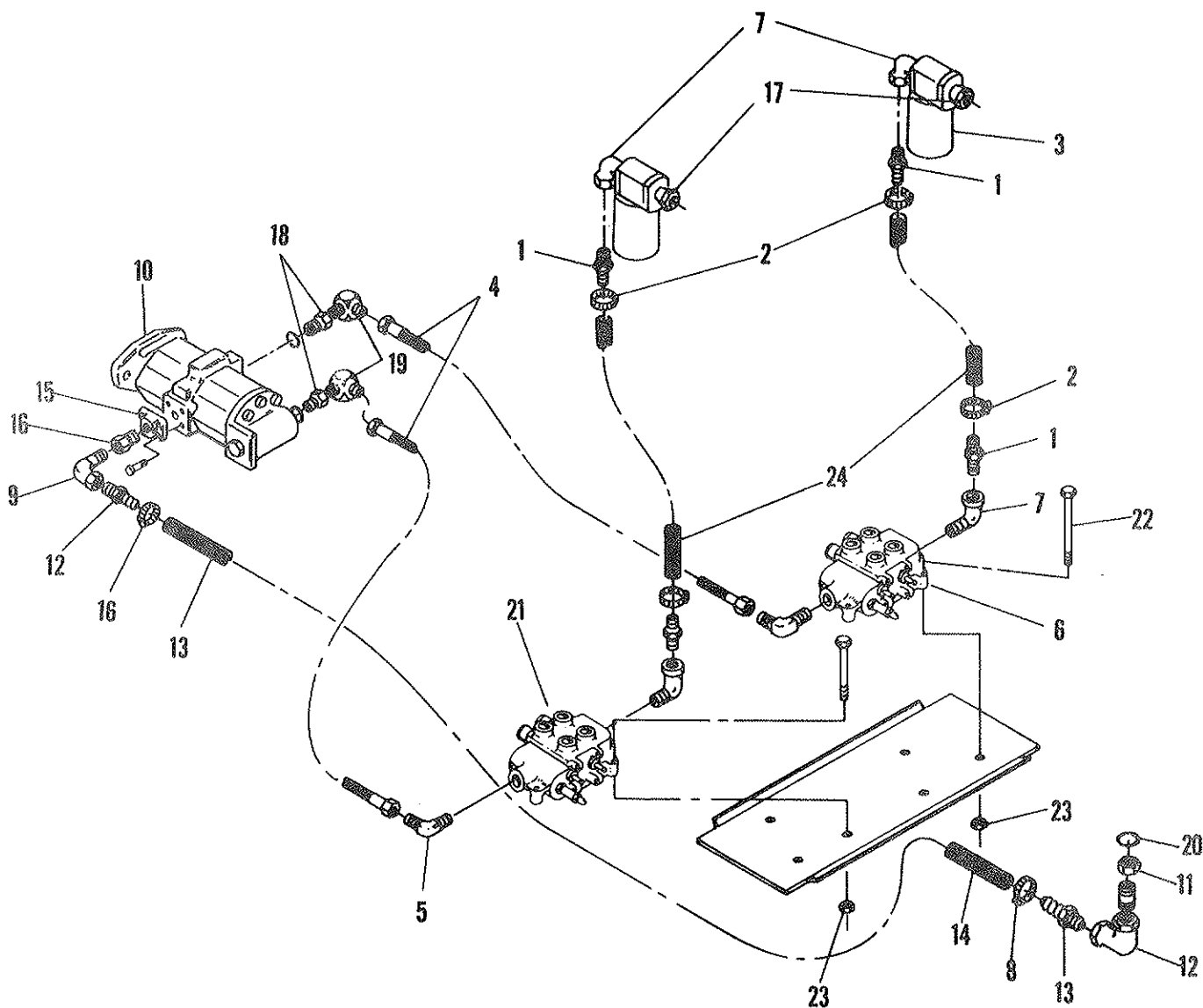
MODEL 820 EXPRESS

ITEM	PART NO.	DESCRIPTION	NO. REQ'D	ITEM	PART NO.	DESCRIPTION	NO. REQ'D
1	0300004	Spring, Plunger (Opt.)	2	21	0400396	"J" Nut (Opt.)	3 (Per Box)
2	0300032	Plug 1" Dia. Hole	2	22	0400431	Nut Nylok 3/4" - 10 Gr. 8	12
3	0300113	Grease Fitting (Opt.)	2	23	0400561	Roll Pin 5/32" x 1 3/4" (Opt.)	2
4	0300124	Grommet Caterpillar	4	24	0400563	Roll Pin 3/16" x 1 3/4" (Opt.)	2
5	0300242	Guard, Chrome-Light (Opt.)	4	25	0400567	Rivet (Opt.)	14 (Per Box)
6	0300427	Light Clearance-Red	4	26	0700159	Brkt. Clearance - Left	1
7	0300428	Light Clearance-Amber	2	27	0700160	Brkt. Clearance - Right	1
8	0300501	Light Stop & Turn	2	28	0700526	Plunger Pin (Opt.)	2
9	0300505	Light Back Up	2	29	0700554	Bar Mud Flap Mtg. (Opt.)	2
10	0301223	Mud Flap (Opt.)	2	30	0700559	Plunger Handle (Opt.)	2
11	0400042	No. 10-24 x 1/2" Pan Hd.	24	31	0701091	Brkt. Support (Opt.)	1 (Per Box)
12	0400046	No. 10-24 x 3/4" (Opt.)	8	32	0701108	Sponge - Top Bottom (Opt.)	2 (Per Box)
13	0400047	Set Screw (Opt.)	2	33	0701109	Sponge - Right & Left (Opt.)	2 (Per Box)
14	0400122	Screw 3/8" - 16 x 1 1/4" (Opt.)	6	34	0701570	Angle Flap Mtg. Left (Opt.)	1
15	0400126	Screw 3/8" - 16 x 1" (Opt.)	4	35	0701571	Angle Flap Mtg. Right (Opt.)	1
16	0400132	Screw 3/8" - 16 x 1 1/2"	2	36	0701644	Mud Flap Mtg. Brkt. (Opt.)	2
17	0400141	Screw 3/8" - 16 x 7/8" (Opt.)	8	37	0800495	Body Weldment	1
18	0400288	Screw 3/4" - 10 x 2 1/2" Gr. 8	4	38	0800504	Inner Jack Weldment (Opt.)	2
19	0400289	Screw 3/4" - 10 x 3" Gr. 8	8	39	0800507	Outer Jack Weldment (Opt.)	2
20	0400392	Nut, Hex 3/8" - 16 Nylok	20	40	0900128	Tool Box (Opt.)	1



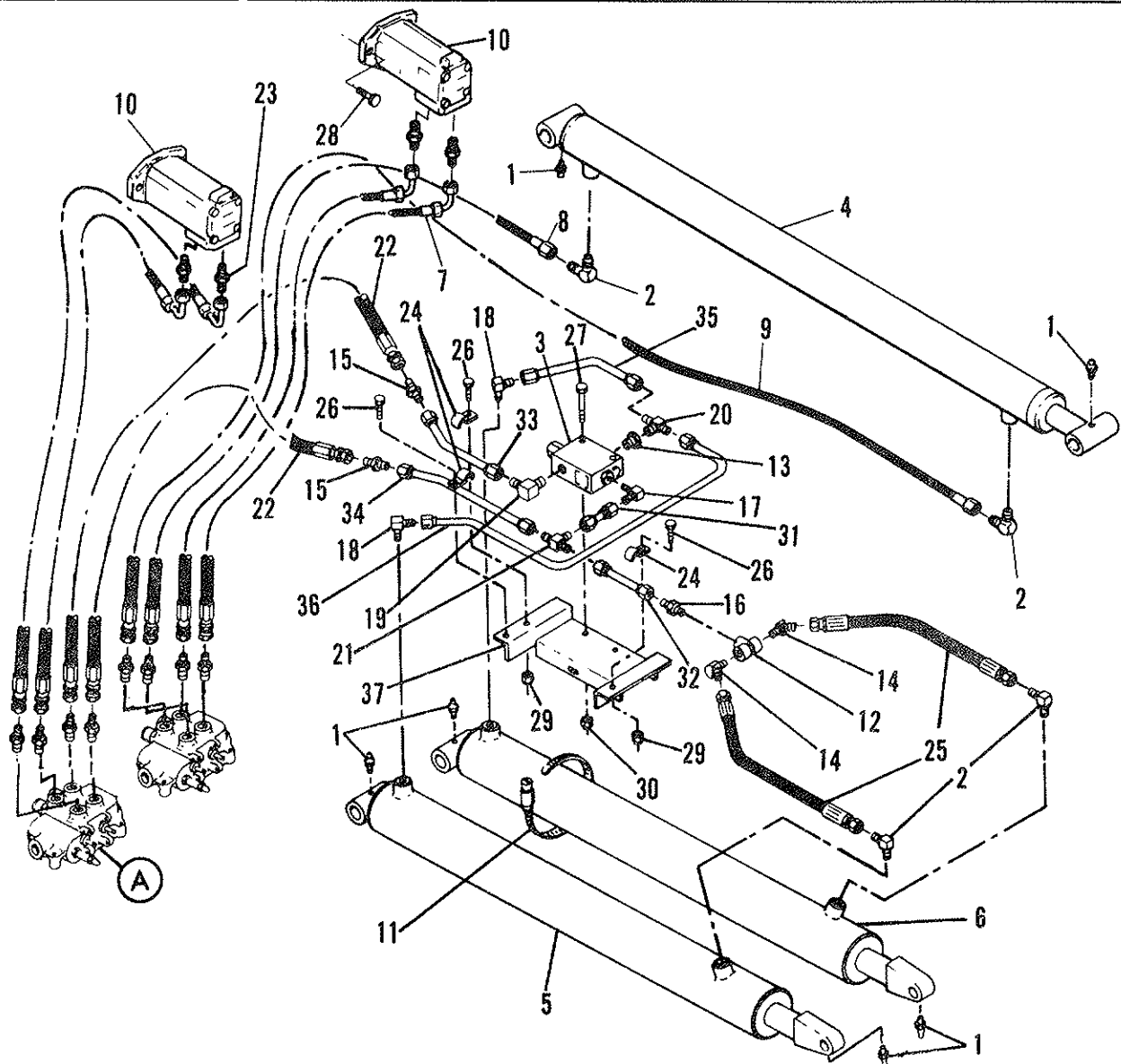
WRECKER ASSEMBLY

ITEM	PART NO.	DESCRIPTION	NO. REQ'D	ITEM	PART NO.	DESCRIPTION	NO. REQ'D
1	0300076	License Plate Holder	1	24	0700772	Shaft - Upper Elevation Cyl.	1
2	0300109	Snap Ring	4	25	0700775	Slide Pad - Bottom	1
3	0300113	Grease Fitting	7	26	0700776	Slide Pad - Side	2
4	0300117	Grommet - Rubber	2	27	0700778	Spacer - Boom Top	2
5	0300273	License Plate Illuminator	1	28	0700780	Shaft - Extension Cylinder	2
6	0300627	St. Ell. 1-1/2" NPT 90°	1	29	0700781	Shaft - Boom Pivot	1
7	0400061	1/4" - 20 x 3/4" Pan Head Screw	2	30	0700792	Slide Pad - Top	1
8	0400062	1/4" - 20 x 3/4" Cap Screw, THD, Cutting, Hex	2	31	0700804	Shaft - Lower Elevation Cyl.	2
9	0400121	3/8" - 16 x 3/4" Cap Screw Gr. 5, Plated	4	32	0701116	Angle - Winch Mtg. - Right Front	1
10	0400126	3/8" - 16 x 1" Cap Screw Gr. 5, Plated	4	33	0701117	Angle - Winch Mtg. - Left Front	1
11	0400130	3/8" - 16 x 3-1/2" Cap Screw Gr. 5, Plated	3	34	0701118	Handle, Clutch Control	2
12	0400139	3/8" - 16 x 1-1/2" Allen Head	1	35	0800248	Outer Boom Weldment	1
13	0400141	3/8" - 16 x 7/8" Cap Screw Gr. 5, Plated	4	36	0800249	Inner Boom Weldment	1
14	0400260	5/8" - 11 x 2" Cap Screw Gr. 5, Plated	32	37	0800396	Winch Angle Weldment - Left Rear	1
15	0400366	1/4" - 20 Nut - Plain, Plated	2	38	0800397	Winch Angle Weldment - Right Rear	1
16	0400392	3/8" - 16 Nut - Nylok, Plated	4	39	0800399	Wrecker Frame Weldment	1
17	0400421	5/8" - 11 Nut - Nylok, Plated	8	40	0900271	Winch - Left	1
18	0400452	1/4" Lockwasher - Helical	2	41	0900272	Winch - Right	1
19	0400482	3/8" Lockwasher - Helical	12	42	0900431	Swivel Boom Ass'y - Left (See Page 15)	1
20	0400508	5/8" Lockwasher - Helical	32	43	0900432	Swivel Boom Ass'y - Right (See Page 15)	1
21	0400554	3/8" Dia. x 1" Roll Pin	8	A	See Page - 13		
22	0700190	License Plate Bracket	1	B	See Page - 15		
23	0700283	Cap - Reservoir	1	C	See Page - 13		



PUMP AND FILTER HYDRAULICS

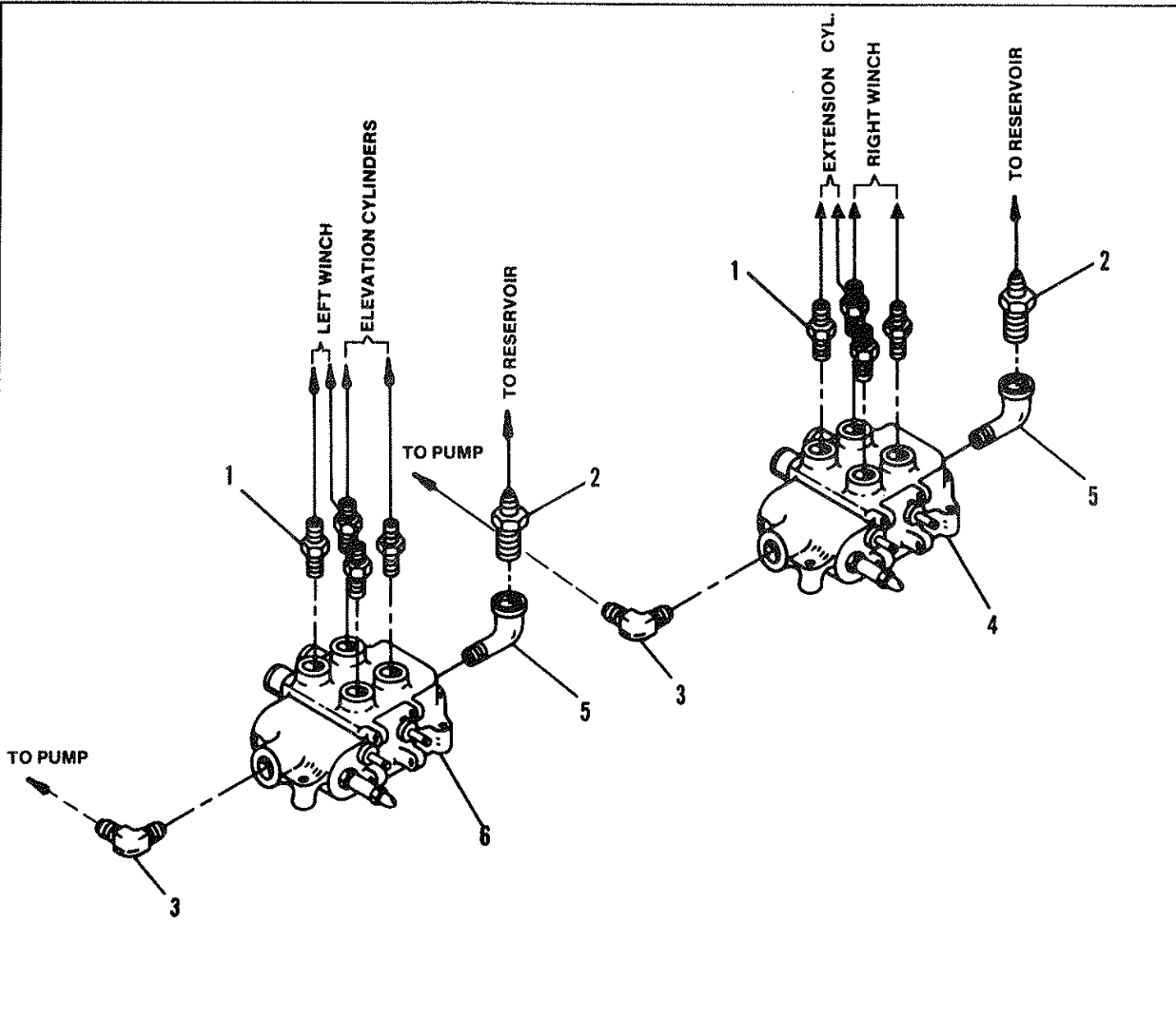
ITEM	PART NO.	DESCRIPTION	NO.REQ'D	ITEM	PART NO.	DESCRIPTION	NO. REQ'D
1	0300055	Hose Barb - 3/4" I.D. Hose	4	13	0300666	Hose Barb 1 1/2" I.D. Hose	2
2	0300071	Hose Clamp - 1"	4	14	0300671	Suction Hose 1 1/2" I.D.	1
3	0300136	Filter	2	15	0300791	2" Split Flange Adapter	1
4	0300165	Hose - High Pressure	2	16	0300792	Reducer Bush. 2" NPTM x 1 1/2" NPTF	1
5	0300218	Elbow - 90° 3/4" NPT - 1/2" JIC	2	17	0300796	Bush. - 3/4" NPTM X 1" NPT Female	2
6	0300222	Valve - Two Spool - Rt.	1	18	0300813	Str. Conn. 1" SAE Male x 3/4" SAE Female	2
7	0300288	Street Ell. 90° - 3/4" NPT	4	19	0300814	Elbow 90° 3/4" SAE M x 1/2" JIC	2
8	0300364	Clamp - Hose - 2 1/4"	2	20	0300866	"O" Ring 1 7/8" Dia.	1
9	0300627	Street Ell. 90° 1-1/2" NPT	1	21	0301209	Valve - Two Spool - Left	1
10	0300635	Pump - Dana	1	22	0400125	Screw 3/8" - 16 x 3 3/4"	6
11	0300664	Tank Nipple w/Lock Nut	1	23	0400392	Nut 3/8" - 16 Nylok	6
12	0300665	Elbow - 1 1/2" - 90° NPT	1	24	0701153	Return Hose	2



ELEVATION CYLINDER, EXTENSION CYLINDER AND WINCH MOTOR HYDRAULICS

ITEM	PART NO.	DESCRIPTION	NO. REQ'D
1	0300113	Grease Fitting	6
2	0300229	Male Elbow	4
3	0300310	Holding Valve	1
4	0300631	Extension Cylinder	1
5	0300632	Lift Cylinder - Left	1
6	0300636	Lift Cylinder - Right	1
7	0300657	Hose 1/2" x 46" Long	4
8	0300659	Hose 40" Long	1
9	0300660	Hose 120" Long	1
10	0300691	Winch Motor	2
11	0300710	Hose Clamp	1
12	0300756	Female Pipe Tee	1
13	0300 57	Reducer Bushing	1
14	0300759	Male 45° Elbow	2
15	0300761	Straight Adapter	2
16	0300762	Male Connector	1
17	0300763	Male Elbow	1
18	0300764	Male Elbow	2
19	0300765	Male Elbow	1

ITEM	PART NO.	DESCRIPTION	NO. REQ'D
20	0300766	Male Branch Tee	1
21	0300767	Tee Union	1
22	0300787	Lower Hose Elev. Cyl	2
23	0300789	Straight Connector	4
24	0301225	Clamp (Hydraulic Tubing)	3
25	0301333	Upper Hose Elev. Cyl.	2
26	0400066	Cap Screw, Hex Hd., 1/4" - 20 x 3/4", Gr. 5, Pl.	3
27	0400107	5/16" - 18 x 2-1/2" Cap Screw	2
28	0400181	1/2" - 13 x 1-1/2" Hex Bolt	4
29	0400367	Nut (Nylon Lock) 1/4" - 20 Pl.	3
30	0400382	Nut (Nylock) 5/16" - 18	2
31	0701597	Tube - ST Steel	1
32	0701598	Tube - ST Steel	1
33	0701599	Tube - ST Steel	1
34	0701600	Tube - ST Steel	1
35	0701601	Tube - ST Steel	1
36	0701602	Tube - ST Steel	1
37	0800508	Bracket, Holding Valve (Weldment)	1
A		See Page 14. Valve Hydraulics	

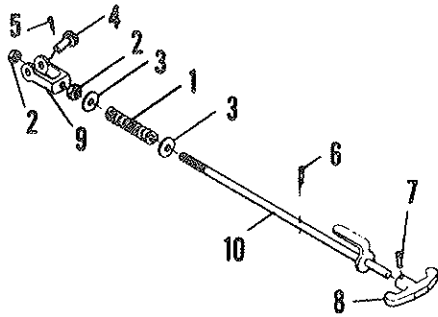


VALVE HYDRAULICS

ITEM	PART NO.	DESCRIPTION	NO. REQ'D
1	0300040	Connector, 1/2" NPT - 1/2" JIC	8
2	0300055	Hose Barb - 3/4" I.D. Hose	2
3	0300218	Elbow, 90° - 3/4" NPT - 1/2" JIC	2

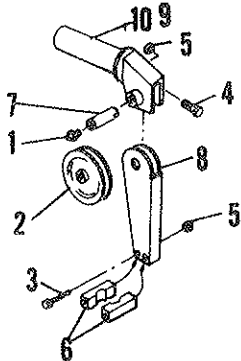
ITEM	PART NO.	DESCRIPTION	NO. REQ'D
4	0300222	Valve - Two Spool - Right	1
5	0300288	Street Elbow, 90° - 3/4" NPT	2
6	0301209	Valve - Two Spool - Left	1

CLUTCH CONTROL ASS'Y 0900251



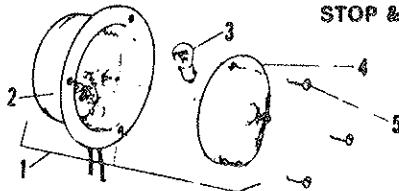
ITEM	PART NO.	DESCRIPTION	NO. REQ'D.
1	0300845	Spring	1
2	0400408	Nut	2
3	0400492	Flat Washer	2
4	0400534	Clevis Pin	1
5	0400541	Cotter Pin	1
6	0400544	Cotter Pin	1
7	0400561	Roll Pin	1
8	0700559	"T" Handle	1
9	0701113	Yoke	1
10	0800326	Control Rod	1

BOOM END SWIVEL



ITEM	PART NO.	DESCRIPTION	NO. REQ'D.
1	0300113	Grease Fitting	1
2	0300626	Sheave 8" Dia. x 1-1/2" Rim Width	1
3	0400124	Bolt - 3/8-16 x 2-1/2 Hex. Hd. GR5 Plated	2
4	0400133	Bolt - 3/8-16 x 3" Hex Hd. GR5 Plated	1
5	0400392	Nut 3/8-18 Nylox	3
6	0700801	Cable Guide - Bottom	2
7	0700888	Shaft - Sheave	1
8	0800286	Cable Guide	1
9	0800509	Swivel Weldment - Left Hand	1
10	0800510	Swivel Weldment - Right Hand	1

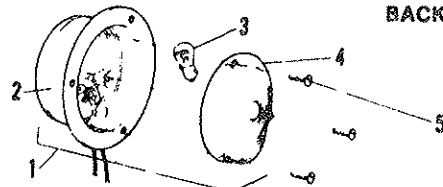
STOP & TURN LIGHT



- 1. Light, Stop & Turn - Complete
- 2. Housing, Stop & Turn Light
- 3. Bulb, Stop & Turn Light
- 4. Lens, Stop & Turn Light - Red
- 5. Screw, Lens

0300501
0300497
0300498
0300499
0300500

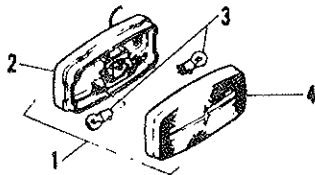
BACK-UP LIGHT



- 1. Light, Back-Up - Complete
- 2. Housing, Back-Up Light
- 3. Bulb, Back-Up Light
- 4. Lens, Back-Up Light - Clear
- 5. Screw, Lens

0300505
0300502
0300503
0300504
0300500

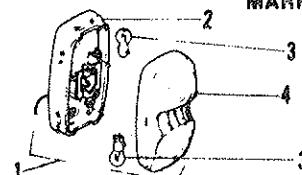
MARKER LIGHT, RED



- 1. Light, Marker Red - Complete
- 2. Housing, Marker Light - Red
- 3. Bulb, Marker Light
- 4. Lens, Marker Light - Red

0300427
0300506
0300507
0400508

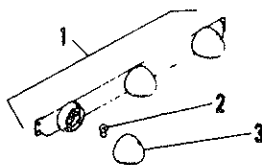
MARKER LIGHT, AMBER



- 1. Light, Marker - Amber - Complete
- 2. Housing, Marker Light - Amber
- 3. Bulb, Marker Light
- 4. Lens, Marker Light - Amber

0300428
0300509
0300507
0300510

3 LIGHT BAR



- 1. 3 Light Bar Ass'y. Complete
- 2. Bulb, Marker Light
- 3. Lens, 3 Light Bar

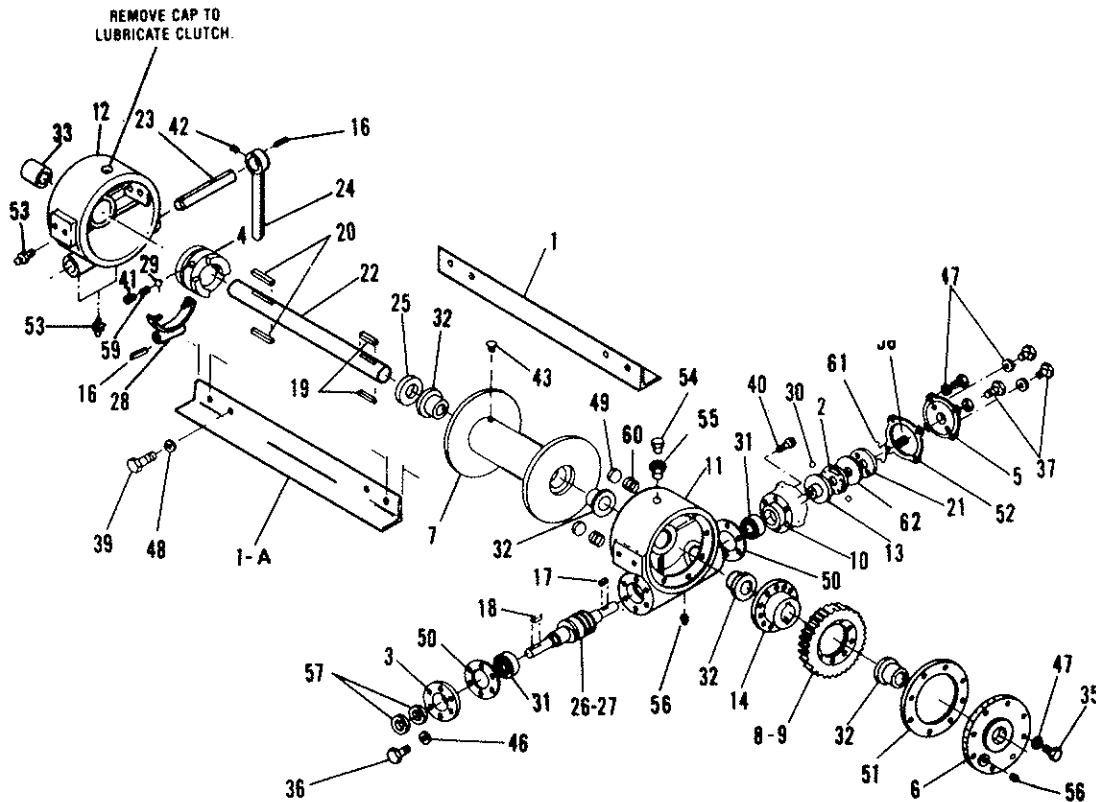
0300442
0300507
0300511

LICENSE PLATE ILLUMINATOR



- 1. License Plate Illuminator - Complete
- 2. Bulb, License Plate - Illuminator

0300273
0300512



WINCH

H-700 WINCH

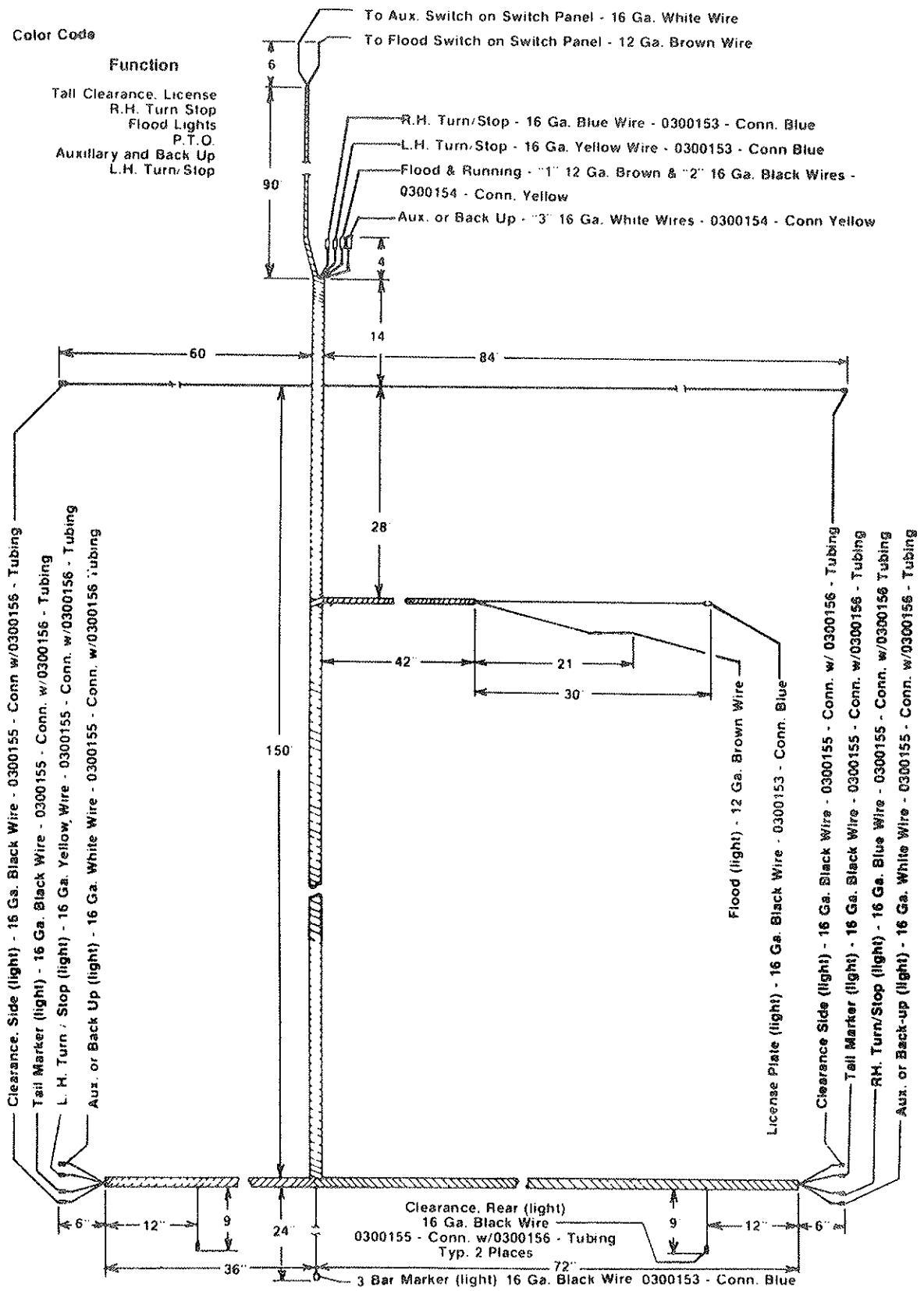
ITEM	PART NO.	DESCRIPTION	NO. REQ'D
1	0701116	Angle LT. RR. & RT. FR	1
1A	0701117	Angle RT. RR. & LT. FR.	1
2	0301001	Cam Plate	2
3	0301002	End Plate	1
4	0301003	Jaw Clutch	1
5	0301004	Cover	1
6	0301005	Cover	1
7	0301006	Drum	1
8	0301007	Gear - Right Hand	1
9	0301008	Gear - Left Hand	1
10	0301009	Brake Housing	1
11	0301010	Gear Housing	1
12	0301011	Clutch Housing	1
13	0301012	Brake Hub	1
14	0301013	Gear Hub	1
15	0301014	Key	1
16	0301015	Key	1
17	0301016	Key	1
18	0301017	Key	1
19	0301018	Key	2
20	0301019	Key	2
21	0301020	Retainer Plate	1
22	0301021	Drum Shaft	1
23	0301022	Shift Shaft	1
24	0301023	Shift Lever	1
25	0301024	Spacer	1
26	0301025	Worm - Right Hand	1
27	0301026	Worm - Left Hand	1
28	0301027	Yoke	1
29	0301028	Ball	1
30	0301029	Ball	2
31	0301030	Bearing	2
32	0301031	Bushing	4
33	0301032	Bushing	1

ITEM	PART NO.	DESCRIPTION	NO. REQ'D
34	0301033	Cap Screw	4
35	0301034	Cap Screw	8
36	0301035	Cap Screw	6
37	0301036	Cap Screw	14
38	0301037	Cap Screw	1
39	0301038	Cap Screw	8
40	0301039	Cap Screw	6
41	0301040	Poppet Screw	1
42	0301041	Set Screw	2
43	0301042	Set Screw	1
44	0301043	Nut	1
45	0301044	Lockwasher	4
46	0301045	Lockwasher	6
47	0301046	Washer	10
48	0301047	Washer	8
49	0301048	Drag Brake	2
50	0301049	Gasket	2
51	0301050	Gasket	1
52	0301051	Gasket	1
53	0301052	Lub. Fitting	3
54	0301053	Relief Fitting	1
55	0301054	Reducer	1
56	0301055	Pipe Plug	2
57	0301056	Oil Seal	2
58	0301057	Spring	1
59	0301058	Spring	1
60	0301059	Spring	2
61	0301060	Flat Spring	1
62	0301061	Brake Disc	1

Following Items Not Shown in Parts Breakdown

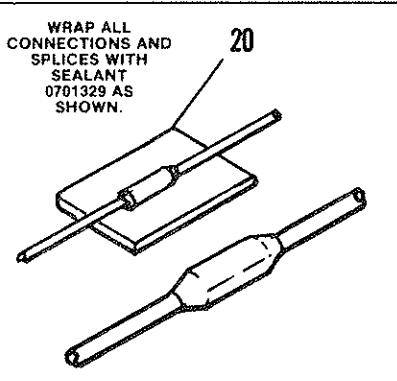
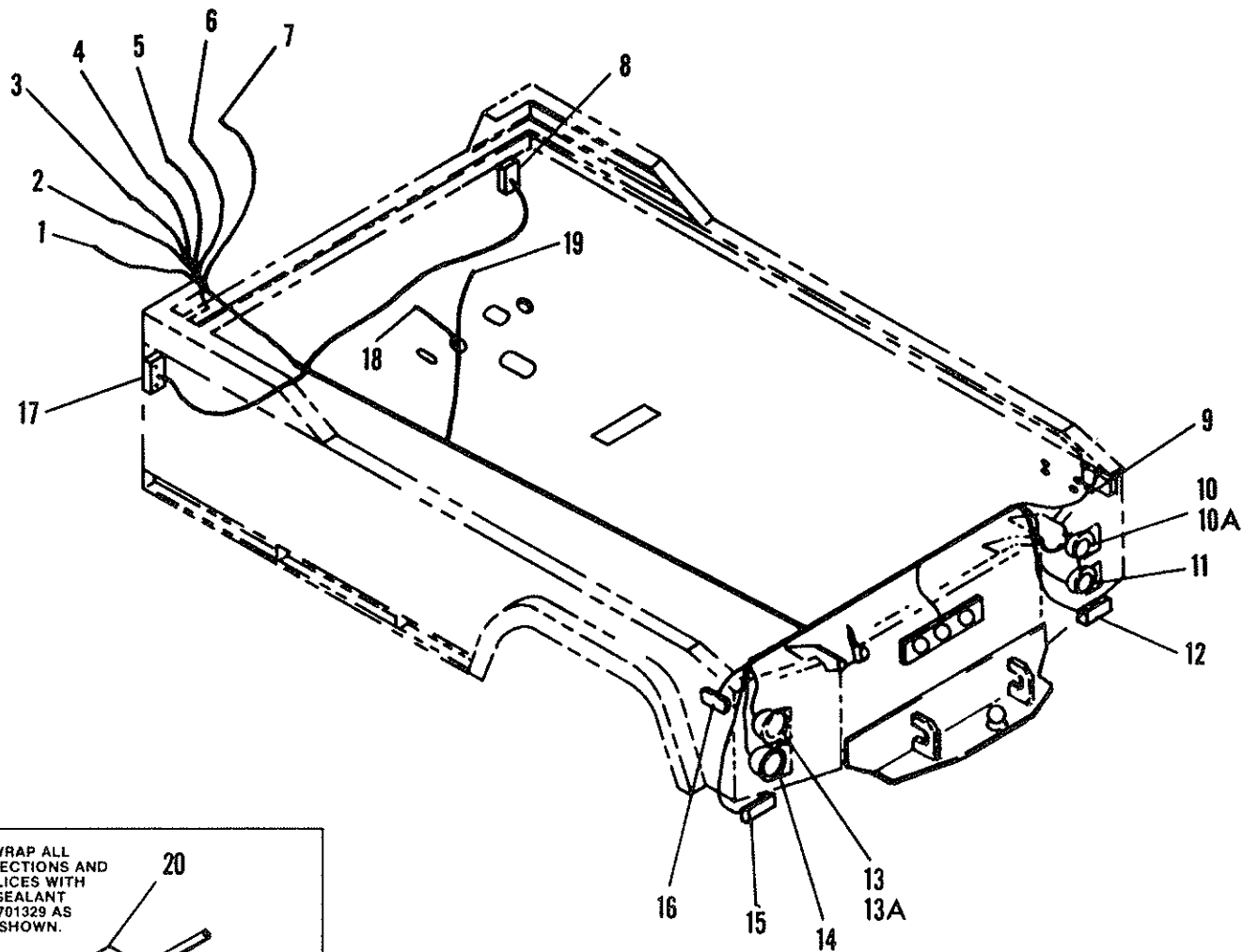
0300905	Chain Coupling	1
0300906	Key	1
0300907	Rubber Plug	1

Color	Function
Black	Tail Clearance, License
Blue	R.H. Turn Stop
Brown	Flood Lights
Green	P.T.O.
White	Auxiliary and Back Up
Yellow	L.H. Turn/Stop



820 EXPRESS WIRING HARNESS

NOTE:
Any wires not used should be securely taped and stored out of the way to prevent electrical shortages.



WIRING INSTALLATION

ITEM	DESCRIPTION	WIRE COLOR
1	Switch Panel (Auxiliary)	White
2	Switch Panel (Flood Lights)	Brown
3	Switch Panel (PTO)	Green
4	Left Turn and Stop	Yellow
5	Right Turn and Stop	Blue
6	Tail Light and Clearance	Black
7	Back Up	White
8	Light, Front Marker Right Hand (Amber)	Black
9	Light, Rear Marker Right Hand (Red)	Black
10	Tail Light Right Hand	Black
10A	Stop and Turn Right Hand Light	Blue

ITEM	DESCRIPTION	WIRE COLOR
11	Back Up and Auxiliary Light, Right Hand	White
12	Rear Clearance Light Right Hand (Red)	Black
13	Tail Light Left Hand	Black
13A	Stop and Turn Left Hand Light	Yellow
14	Back Up and Auxiliary Left Hand Light	White
15	Rear Clearance Light Left Hand (Red)	Black
16	Light Rear Marker Left Hand (Red)	Black
17	Light Front Marker Left Hand (Amber)	Black
18	Flood Lights	Brown
19	Light, License Plate	Black
20	Sealant Electrical Connection	

**CENTURY®
WRECKER
CORPORATION**

I-75 at Ooltewah Exit #11 • 8503 Hilltop Drive • Ooltewah, Tennessee 37363 • (615) 238-4171
Mailing Address: P.O. Box 120 • Ooltewah, Tennessee 37363 • Telex: 856967 CENWKRTN UD