

CENTURY®

L E G E N D A R Y L E A D E R S H I P



OWNER'S MANUAL

9055 XL WITH LOWRIDER UNDERLIFT

PARTS

NOTE: MANUAL including SPECIFICATIONS, subject to change without notice.
All ratings specified are based on structural factors only,
not vehicle capacities or capabilities.

CENTURY®

Miller Industries Towing Equipment Inc.
8503 Hilltop Drive
Ooltewah, Tennessee 37363
Phone (423) 238-4171 • FAX (423) 238-5371

FORM NO. 05000963
11 / 2017
PRICE \$25.00

LIMITED WARRANTY

MILLER INDUSTRIES TOWING EQUIPMENT INC., hereinafter referred to as MILLER, warrants to the original purchaser that each new MILLER wrecker or other MILLER products will be free from defects in material and workmanship for a period of twelve (12) months from date placed in service, but in no event shall such warranty period exceed twenty-four (24) months from date of manufacture by MILLER. The purchaser must promptly notify MILLER in writing of any failure in material or workmanship. In no event shall MILLER accept such notification later than twenty-four (24) months from date of delivery or twelve (12) months from date placed in service, whichever is earlier.

MILLER's obligation under this warranty, statutory or otherwise, is limited to the repair or replacement at the MILLER factory, or at a point designated by MILLER, of such part or parts as shall appear upon inspection by MILLER to be defective in material or workmanship. New or remanufactured parts will be used for any replacement at MILLER's option. This warranty is not transferable. This warranty does not obligate MILLER to bear the cost of labor or transportation charges in connection with the repair or replacement of any parts found to be defective, nor shall it apply to a product upon which repairs or alterations have been made unless authorized by MILLER.

EXCEPT AS EXPRESSLY SET FORTH IN THIS WARRANTY, MILLER MAKES NO OTHER WARRANTY, EXPRESS OR IMPLIED, AND HEREBY DISCLAIMS ALL OTHER WARRANTIES INCLUDING, BUT NOT LIMITED TO, THE IMPLIED WARRANTIES OF MERCHANTABILITY AND FITNESS FOR A PARTICULAR PURPOSE. MILLER shall in no event be liable for claimed downtime, claimed loss of profits or goodwill, or any other special, incidental, indirect, or consequential damages concerning or relating to any product or parts, whether based on negligence, strict liability, breach of contract, breach of warranty, misrepresentation or any other legal theory, regardless of whether the loss resulted from any general or particular requirement which MILLER knew or had reason to know about at the time of sale.

MILLER MAKES NO WARRANTY, EXPRESS OR IMPLIED, AS TO THE FINISHED PRODUCTS MANUFACTURED OR SUPPLIED BY ANOTHER MANUFACTURER AND SUPPLIED BY MILLER TO PURCHASER, including, but not limited to, any vehicle to which a MILLER product may be affixed or any accessories or wire rope, and MILLER EXPRESSLY DISCLAIMS ANY IMPLIED WARRANTIES OF MERCHANTABILITY OR FITNESS FOR A PARTICULAR PURPOSE AS TO SUCH EQUIPMENT OR PRODUCTS. This language shall in no way affect or diminish the rights of the purchaser to rely on such warranties as are extended by such manufacturers or suppliers. MILLER shall, to the extent permitted under applicable law, pass on to the purchaser such manufacturer's or seller's warranty.

MILLER, whose policy is one of continuous improvement, reserves the right to improve its products through changes in design or materials as it may deem desirable without being obligated to incorporate such changes in products previously sold. This warranty is not intended to cover or include the following items, which are set forth by way of example and not limitation:

- A. Normal deterioration of trim, paint, lettering, and appearance items due to wear or exposure to weather, road conditions, road treatments, etc.
- B. Any damage or defect due to accident, misuse, abuse, improper or unauthorized repairs, failure to provide reasonable and necessary maintenance, or uses for which the equipment was not designed or intended.
- C. Alterations or modifications that affect performance, operation or reliability.
- D. Normal maintenance parts including, but not limited to, wear pads, bushings, wire rope, mud flaps, fenderettes, light bulbs, hydraulic oil, filters, and tow sling belts.

IT IS EXPRESSLY UNDERSTOOD THAT MILLER MAKES NO IMPLIED WARRANTY THAT MILLER PRODUCTS SHALL BE FIT FOR THE PURPOSE OF LIFTING OR MOVING PEOPLE OR FOR ANY OTHER IMPROPER USE.



Miller Industries Towing Equipment Inc.
8503 Hilltop Drive
Ooltewah, Tennessee 37363
Telephone (423) 238-4171

SERIAL NUMBER

OWNER, USER AND OPERATOR:

We appreciate your choice of our towing and recovery unit for your application. Our number one priority is user safety which is best achieved by our joint efforts. We feel that you can make a major contribution to safety if you, as the equipment owner and operator:

- 1. Comply with Federal, State, and Local Regulations.**
- 2. Read, Understand, and Follow the Instructions in this Manual.**
- 3. Use Good, Safe Work Practices in a Common Sense Way.**
- 4. Only have Authorized and Trained Personnel performing maintenance on the Towing and Recovery Unit.**

TABLE OF CONTENTS

It is assumed by the manufacturer that the Owner/Operator has a thorough knowledge of the accepted and lawful retrieval and towing methods as dictated by his city, county or state. The manufacturer rejects any liability claim that may result from the incorrect or unlawful application of its equipment.

Section I - PARTS

BODY AND TUNNEL BOX ASSEMBLY	I-2 & I-3
SUBFRAME ASSEMBLY (DIAGONAL REAR SPADES).....	I-4 thru I-9
SUBFRAME ASSEMBLY (HYDRAULIC EXTENDABLE REAR OUTRIGGERS)	I-10 thru I-13
3 - STAGE BOOM ASSEMBLY - INNER STAGE	I-14 & I-15
3 - STAGE EXTENSION SYSTEM ASSEMBLY	I-16 & I-17
3 - STAGE BOOM ASSEMBLY - MIDDLE STAGE	I-18 & I-19
3 - STAGE BOOM ASSEMBLY - OUTER STAGE	I-20 & I-21
DUAL 2 - SPEED PLANETARY WINCH ASSEMBLY	I-22 & I-23
BOOM SWIVEL ASSEMBLY	I-24 & I-25
TOWER AND UNDERLIFT ASSEMBLY - COACH LOWRIDER	I-26 thru I-29
TOWER AND UNDERLIFT ASSEMBLY - STREET LOWRIDER	I-30 thru I-33
CROSSBAR ASSEMBLY	I-34 & I-35
PAN VALVE ASSEMBLY - WALVOIL	I-36 & I-37
DIAGONAL REAR SPADES HYDRAULICS	I-38 & I-39
EXTENDABLE REAR OUTRIGGER HYDRAULICS	I-40 & I-41
DUAL 2 - SPEED PLANETARY WINCH HYDRAULICS	I-42 & I-43
3 - STAGE BOOM HYDRAULICS	I-44 & I-45
UNDERLIFT HYDRAULICS - COACH LOWRIDER	I-46 & I-47
UNDERLIFT HYDRAULICS - STREET LOWRIDER	I-48 & I-49
PUMP, VALVE & TANK HYDRAULICS	I-50 & I-51
MANUAL LH CONTROLS ASSEMBLY - NON ILLUMINATED	I-52 & I-53

TABLE OF CONTENTS

Section I - PARTS

MANUAL RH CONTROLS ASSEMBLY - NON ILLUMINATED	I-54 & I-55
MANUAL CONTROLS ASSEMBLY - NON ILLUMINATED	I-56 & I-57
MANUAL LH CONTROLS ASSEMBLY - ILLUMINATED	I-58 thru I-61
MANUAL RH CONTROLS ASSEMBLY - ILLUMINATED	I-62 & I-63
MANUAL CONTROLS ASSEMBLY - ILLUMINATED	I-64 & I-65
AIR PNEUMATICS	I-66 & I-67
LIFT ADAPTERS	I-68 & I-69

Section I - PARTS

REF. 05000963

This Section is provided by the manufacturer for the purpose of ordering any component part of the **Century 9055 XL Recovery Unit with LowRider Underlift** that may be required when part replacement is necessary. Be certain to use only original equipment replacement parts for warranty purposes as well as for keeping your unit in its original state and optimum operating capacities.

When ordering replacement or spare parts be sure to provide the following information to the manufacturer's **Parts Department**.

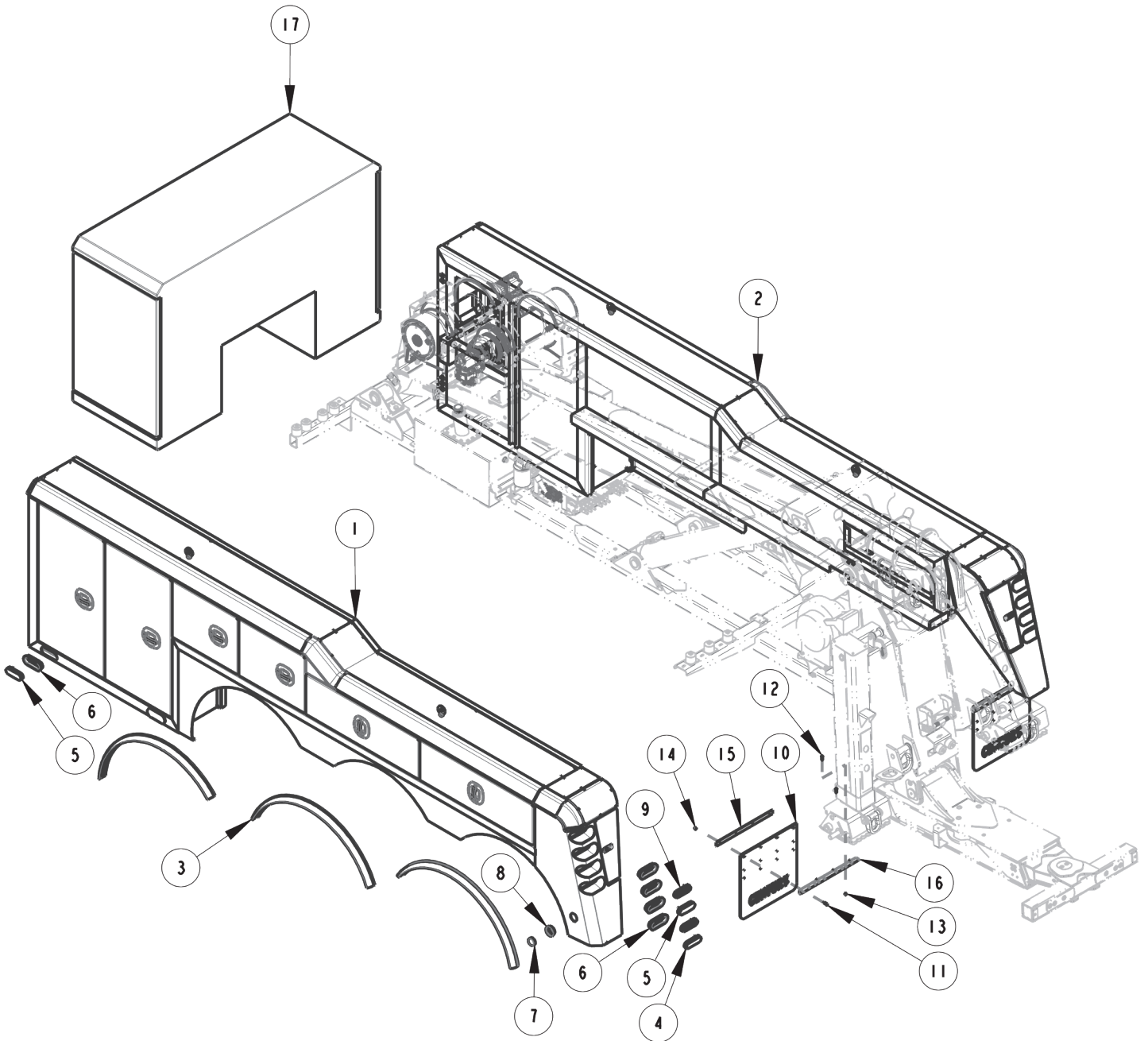
1. **Manual Number & Date of Publication**
2. **Manual Page Number**
3. **Page Title**
4. **Reference Number of Part Desired**
5. **Part Number**
6. **Part Description**
7. **Quantity of Part Desired**
8. **Unit Serial Number**

Providing this information will help ensure that the correct parts will be delivered to you in an expedient manner without delay. Should additional information be required for repair or replacement of certain components, contact your Wrecker Manufacturer Authorized Representative.

The Manufacturer reserves the right, without notice or obligation, to improve or modify their products, which may change the specifications, models and feature availability.

Section I - PARTS

BODY AND TUNNEL BOX ASSEMBLY



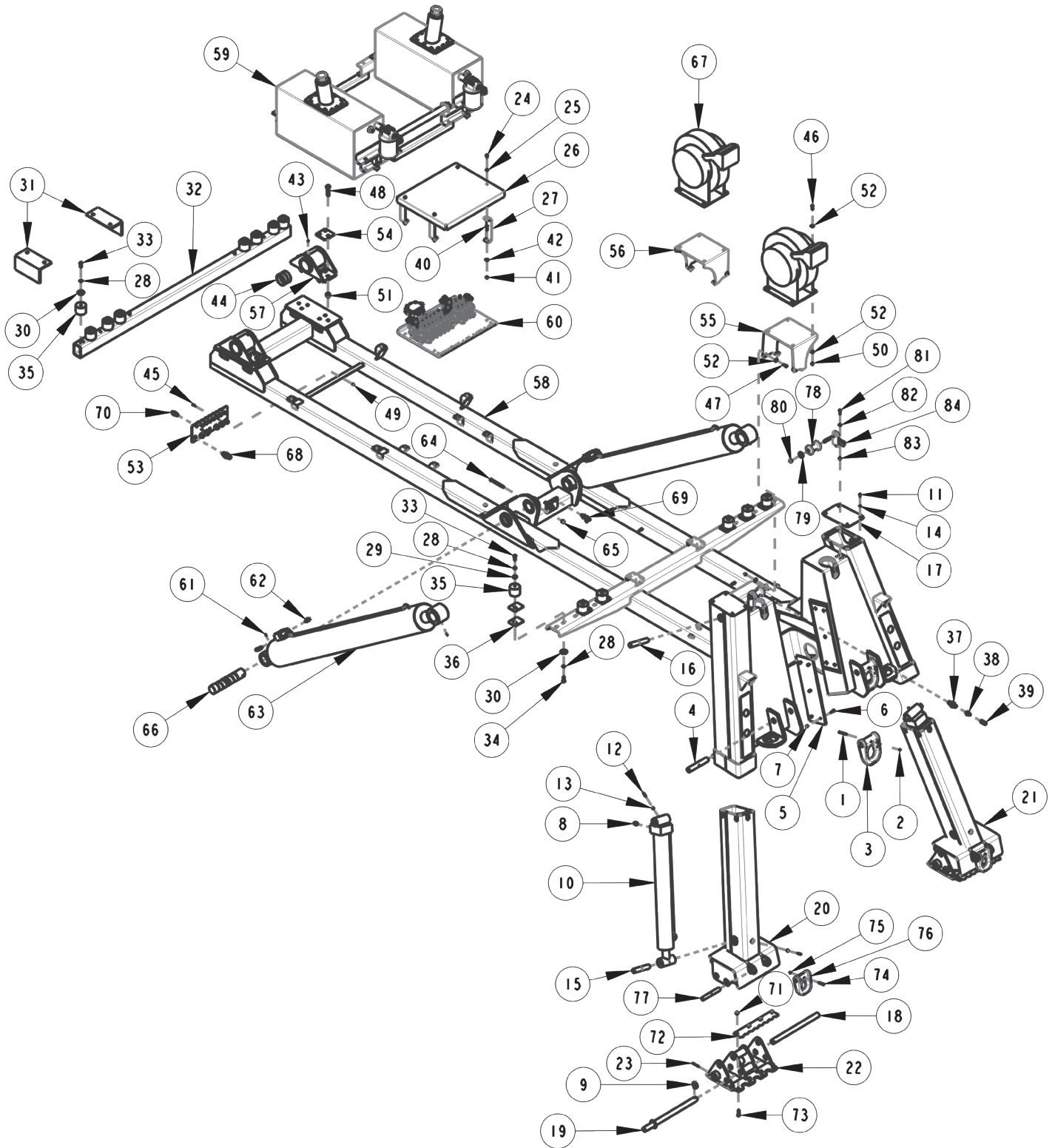
Section I - PARTS

BODY AND TUNNEL BOX ASSEMBLY

ITEM	PART NUMBER	DESCRIPTION	QTY
--	0910833	TOOLBOX, BUA 180 TRI 2010	--
--	03005838	5/8" DOOR SEAL	120FT
1	0310971	TOOLBOX LH AL 180 TRI 2010	1
2	0310972	TOOLBOX RH AL 180 TRI 2010	1
--	0907311	KIT-RUBBER FENDER-TRIAXL (AL)	--
3	0307151	RUBBER FENDER	35FT
--	0400607	RIVET, 1/4" X 5/8" ALUMINUM	108
--	0911310	CENTURY BODY LAMP KIT-10 LAMP	--
4	0311500	LIGHT 6" OVAL REVERSE LED	2
5	0311502	LIGHT 6" OVAL CLEAR-AMBER LED	6
6	0311503	LIGHT 6" OVAL GROMMET	12
7	0311514	LIGHT 2.5" CLEAR LENS-RED LED	2
8	0311516	GROMMET, LIGHT 2.5" ROUND	2
--	0311520	LIGHT 3/4" RED SGL LED W/ GRMT	2
9	0312309	LIGHT 6" OVAL GLO-LT STT CLR/R	4
--	0312578	MILLENUM MARKER AMBER/CLEAR 12/24LED	2
--	0908382	KIT - MUDFLAP CENTURY ROTATOR	--
10	0310631	MUD FLAP, CENTURY	2
11	0400103	SCREW, 5/16-18X1-1/4 HHC GR5	8
12	0400148	SCREW, 3/8-16X1-1/4 HHC GR5	4
13	0400382	NUT, 5/16-18 LOCK	8
14	0400392	NUT, 3/8-16 LOCK	8
15	0717386	BAR - MUDFLAP	2
16	0718139	ANGLE - MUD FLAP MOUNT	2
17	124004387	TUNNEL BOX, 36 ALUM 2010	1

Section I - PARTS

SUBFRAME ASSEMBLY (DIAGONAL REAR SPADES)



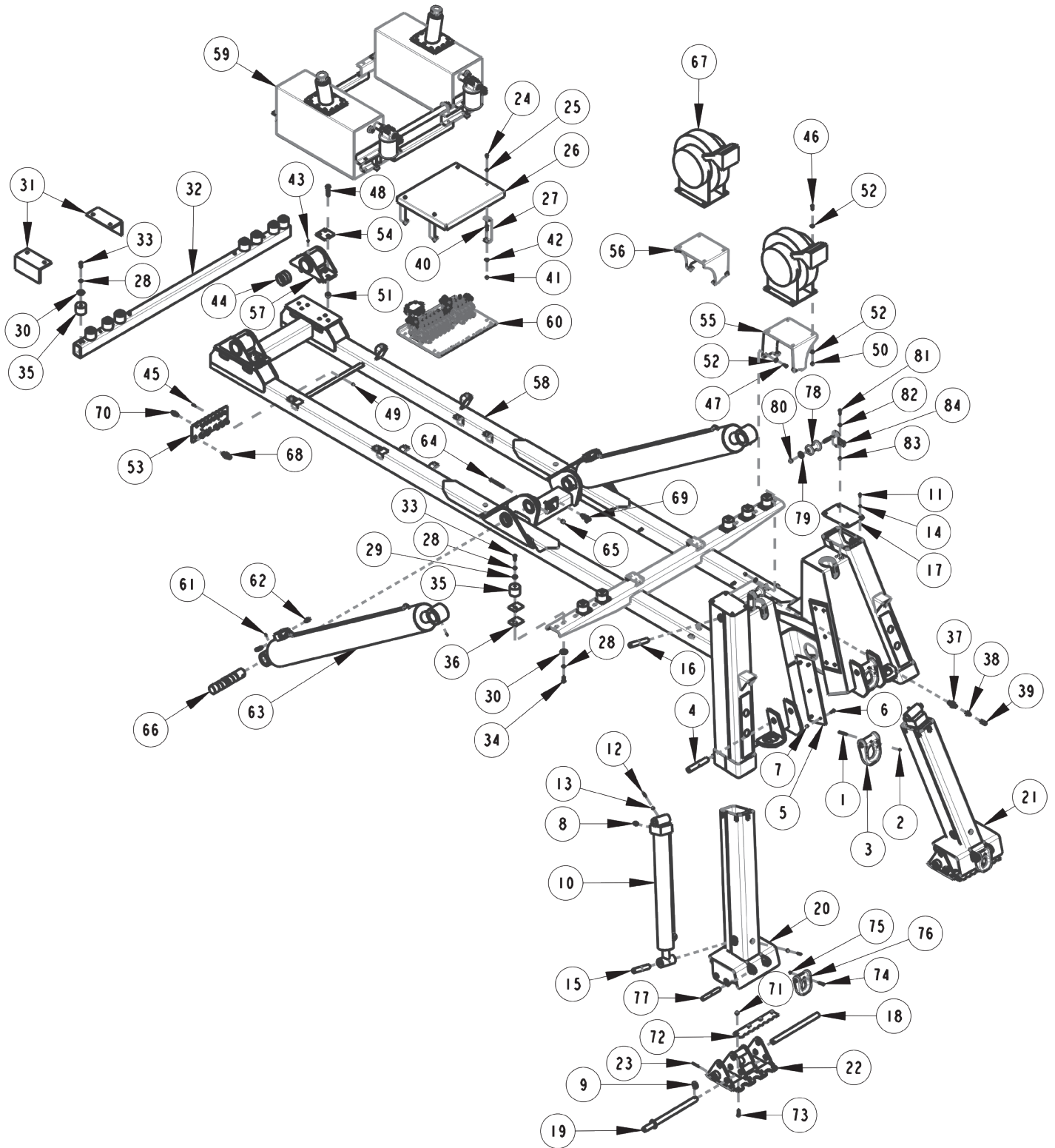
Section I - PARTS

SUBFRAME ASSEMBLY (DIAGONAL REAR SPADES)

ITEM	PART NUMBER	DESCRIPTION	QTY
--	0902553	KIT - D RING LARGE	--
1	0400107	SCREW, 5/16-18X2-1/2 HHC GR5	2
2	0400776	NUT, 5/16-18 JAM LOK	2
3	0719585	D-RING, TOWING	2
4	GA0215	PIN-"D" RING	2
--	0903137	KIT - TOWER RAMP 9055/5030	--
5	0303089	RAMP PAD - 9055/5030	2
6	0400128	SCREW, 3/8-16X1-1/14 FHS GR8 BO	10
7	0400367	NUT, 3/8-16 LOK	10
--	0906313	SPADE ASSEMBLY - REAR HYDRAULIC	--
8	0300044	FITTING, HYDRAULIC CONN. 6MJ-8MB	4
9	0301861	QUICK PIN,LINCH -B7932 PL 7/16	2
10	0307843	CYLINDER, HYD TI-S40030032PPBZ	2
11	0400066	SCREW, 1/4-20X3/4 HHC GR5	8
12	0400139	SET SCREW, 3/8-16X1-1/2 SOC	4
13	0400392	NUT, 3/8-16 LOCK	10
14	0400452	LOCKWASHER, 1/4	8
15	0713128	SHAFT, LOWER SPADE	2
16	0713129	SHAFT, UPPER SPADE	2
17	0715584	PLATE, REAR SPADE COVER	2
18	0715694	PIN, SPADE PIVOT	2
19	0804334	PIN - MULTI-POSITION	2
20	0807627	INNER SPADE WELDMENT LH	1
21	0807628	INNER SPADE WELDMENT RH REINF	1
22	0807630	LOWER SPADE PAD WELDMENT	2
23	9046354	SPRING PIN 1/4 X 2-1/2	2
--	0907140	KIT-VALVE COVER 9055	--
24	0400121	SCREW, 3/8-16X3/4 HHC GR5	4
25	0400482	LOCKWASHER, 3/8	4
26	0717066	COVER - VALVE	1
27	0807181	COVER, SUPPORT WELDMENT	4
--	0907325	KIT - MODULAR MOUNTS	--
28	0400491	LOCKWASHER1/2	20
29	0400497	WASHER, 1/2 GR8	6
30	0400498	WASHER, 1/2X2X0.125	14
31	0710545	ANGLE, MOUNTING	2
32	08000546	FRONT BODY MOUNT	1
33	9041402	1/2 NC X 1 1/4 HHCS PLT GR8	6
34	9041403	1/2 NC X 1 1/2 HHCS PL GR8	14
35	9402970	TOOLBOX MTG. PAD	14
36	942480011	PLATE,SLOT-SS REAR WASHER TBOX	20
--	0910488	FITTINGS BOX, QUICK CONN AIR	--
37	0301946	FITTING, BULKHEAD CONNECT	1
38	0303538	FITT, ADAPTER -BRASS 8FP-6MP	1
39	0303539	QUICK DISCONNECT 3/8 FPT	1

Section I - PARTS

SUBFRAME ASSEMBLY (DIAGONAL REAR SPADES)



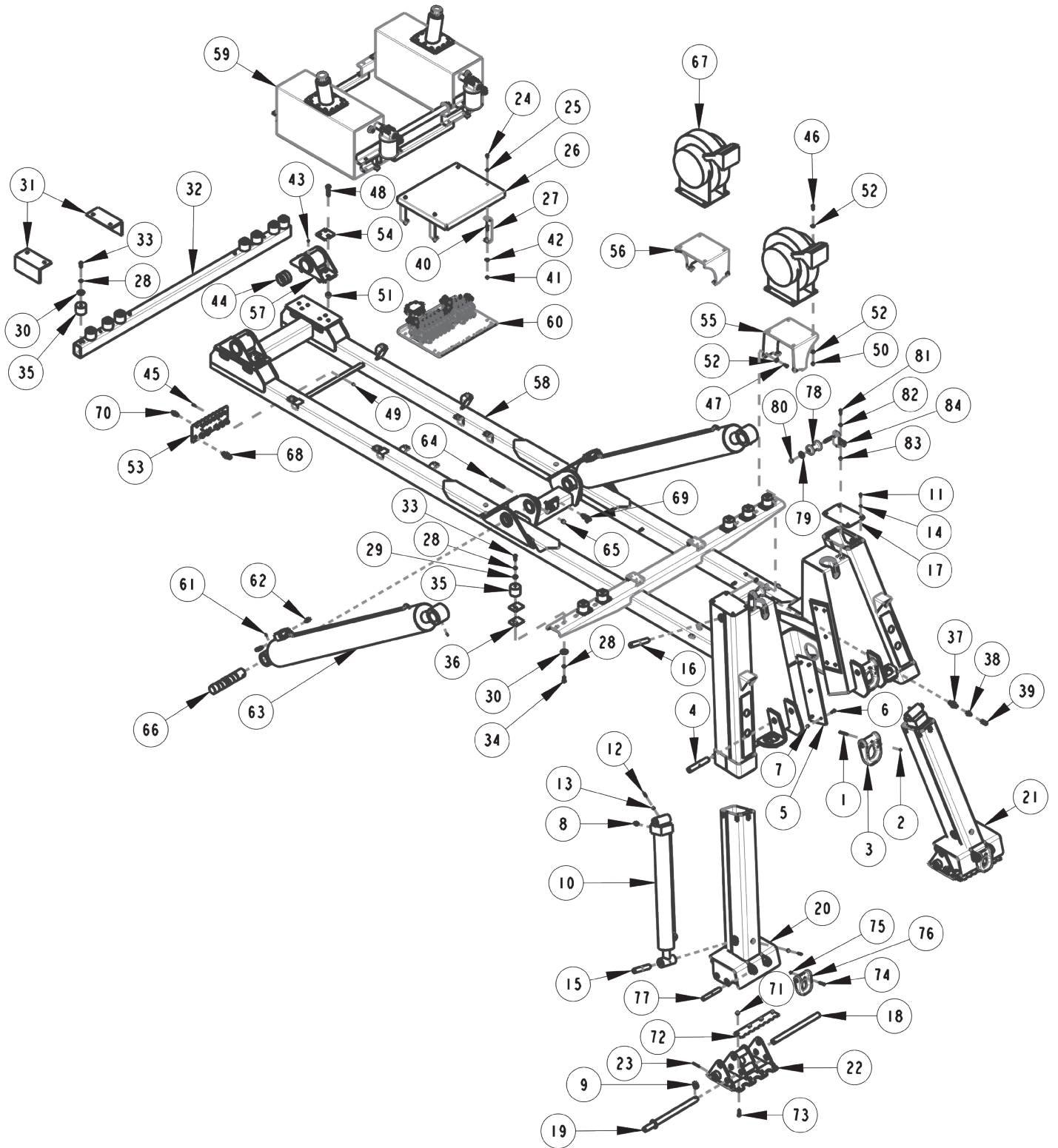
Section I - PARTS

SUBFRAME ASSEMBLY (DIAGONAL REAR SPADES)

ITEM	PART NUMBER	DESCRIPTION	QTY
--	0911983	PAN - VALVE ASSEMBLY 9055 WALVOIL	--
40	0400132	SCREW, 3/8-16X1-1/2 HHC GR5	4
41	0400392	NUT, 3/8-16 LOK	4
42	0400480	WASHER, 3/8	4
--	0912117	9055 XL SUBFRAME ASSEMBLY	--
43	0300113	GREASE FITTING, 1/4-28 STR	2
44	0302538	BUSHING - U/L	2
45	0400070	SCREW, 1/4-20X1 HHC GR5	2
46	0400122	SCREW, 3/8-16X1-1/4 HHC GR5	8
47	0400126	SCREW, 3/8-16X1 HHC GR5	8
48	0400286	SCREW, 3/4-10X2-3/4 HHC GR8	12
49	0400367	NUT, 1/4-20 LOK	2
50	0400392	NUT, 3/8-16 LOK	16
51	0400431	NUT, 3/4-10 LOK GR8	12
52	0400480	WASHER, 3/8	24
53	0711287	PLATE, BULKHEAD	1
54	0714581	PLATE, BOLTING	4
55	07007925	BRACKET, RH AIR REEL	1
56	07007926	BRACKET, LH AIR REEL	1
57	0804405	BRACKET - BOOM PIVOT	2
58	0810618	SUBFRAME WELDMENT 9055 XL	1
59	0907802	KIT - RESERVOIR 5130-9055	1
60	0911983	PAN - VALVE ASSEMBLY 9055 WALVOIL	1
--	0912124	KIT LIFT CYLINDER 9055	--
61	0300113	GREASE FITTING, 1/4-28 STR	4
62	0302276	FITTING, ELB 90 DEG	4
63	0313096	CYL, 9055 GEN X BOOM LIFT	2
64	0400206	SCREW, 1/2-13X5 HHC GR5	2
65	0400408	NUT, 1/2-13 LOK	2
66	0708094	PIN, LIFT CYL	2
--	09005301	SHIP KIT, 9055 XL	--
67	03005008	3/8" X 50' HD AIR HOSE REEL	2
--	09005302	KIT-FRAME HYDRAULIC 9055XR	--
68	0301093	BULKHEAD UNION, 3/4" JIC	6
69	0302574	FITTING-BULKHEAD RUN TEE	2
70	0302576	FITTING, BULKHEAD UNION	8
--	124002401	SPADE BLADE ATTACHMENT	--
71	0400416	NUT, 1/2-13 LOK GR8	8
72	0705485	BLADE, DIG PAD	2
73	9041404	1/2 NC X 1 3/4 HHCS PL GR8	8
--	124002537	D-RING KIT (12 X 15 SPADES)	--
74	0400111	SCREW, 5/16-18x2 HHC GR5	2
75	0400776	NUT, 5/16-18 JAM LOK	2
76	0712380	D - RING	2
77	BA0259	PIN - "D" RING	2

Section I - PARTS

SUBFRAME ASSEMBLY (DIAGONAL REAR SPADES)



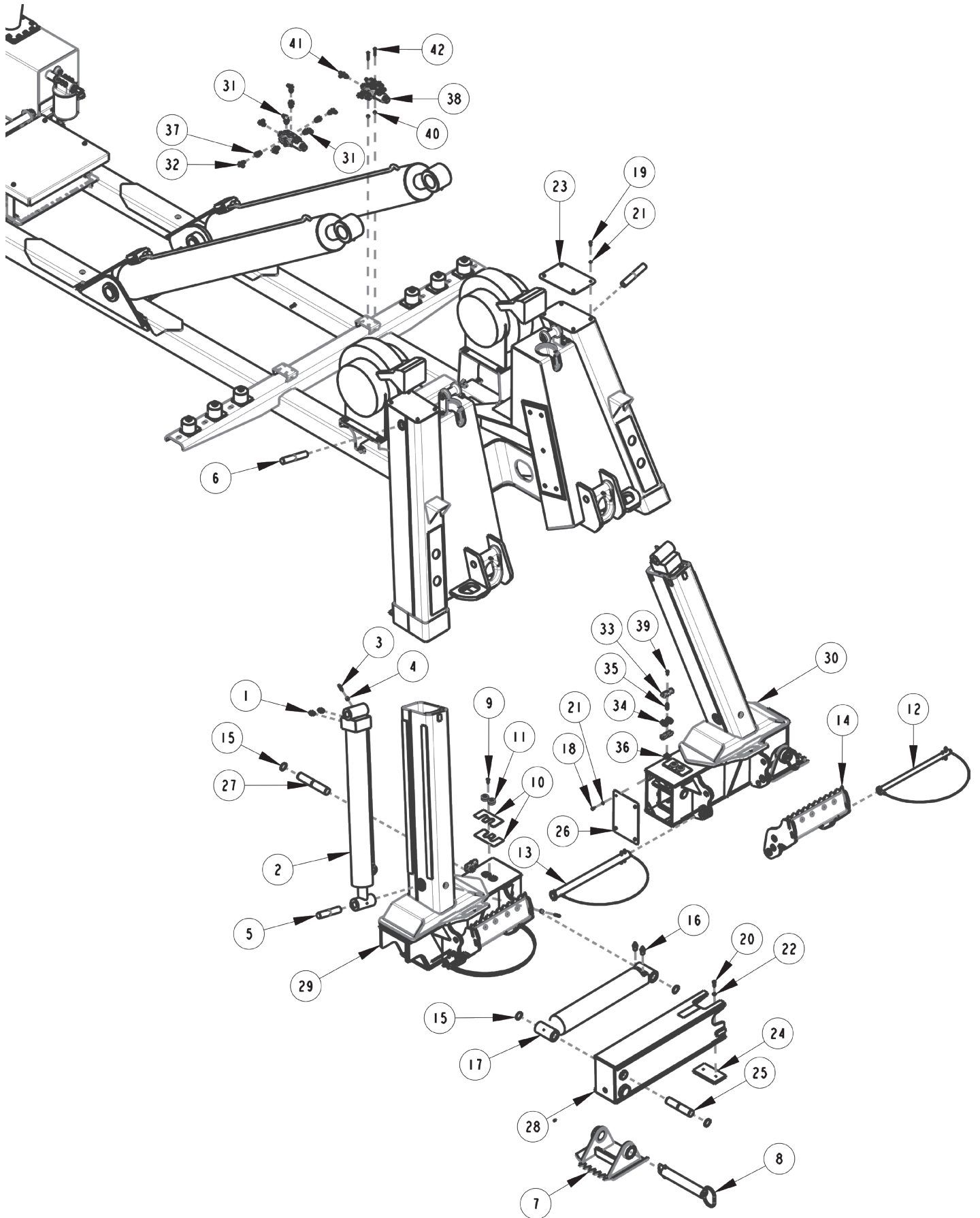
Section I - PARTS

SUBFRAME ASSEMBLY (DIAGONAL REAR SPADES)

ITEM	PART NUMBER	DESCRIPTION	QTY
--	124004760	SAFETY CHAIN ROLLER - 9055 2015	--
78	0311191	ROLLER, POLY, 4" X 5/8"	2
79	0400506	WASHER, 5/8	2
80	0401011	NUT, 5/8-11 LOK JAM GR5	2
81	0402043	SCREW, 3/8-16X1-1/4 HHC SS	8
82	0402120	WASHER, 3/8 SS	8
83	0402123	NUT, 3/8-16 LOK SS	8
84	0810021	BRACKET WELDMENT - CHAIN ROLLER	2

Section I - PARTS

SUBFRAME ASSEMBLY (HYDRAULIC EXTENDABLE REAR OUTRIGGERS)



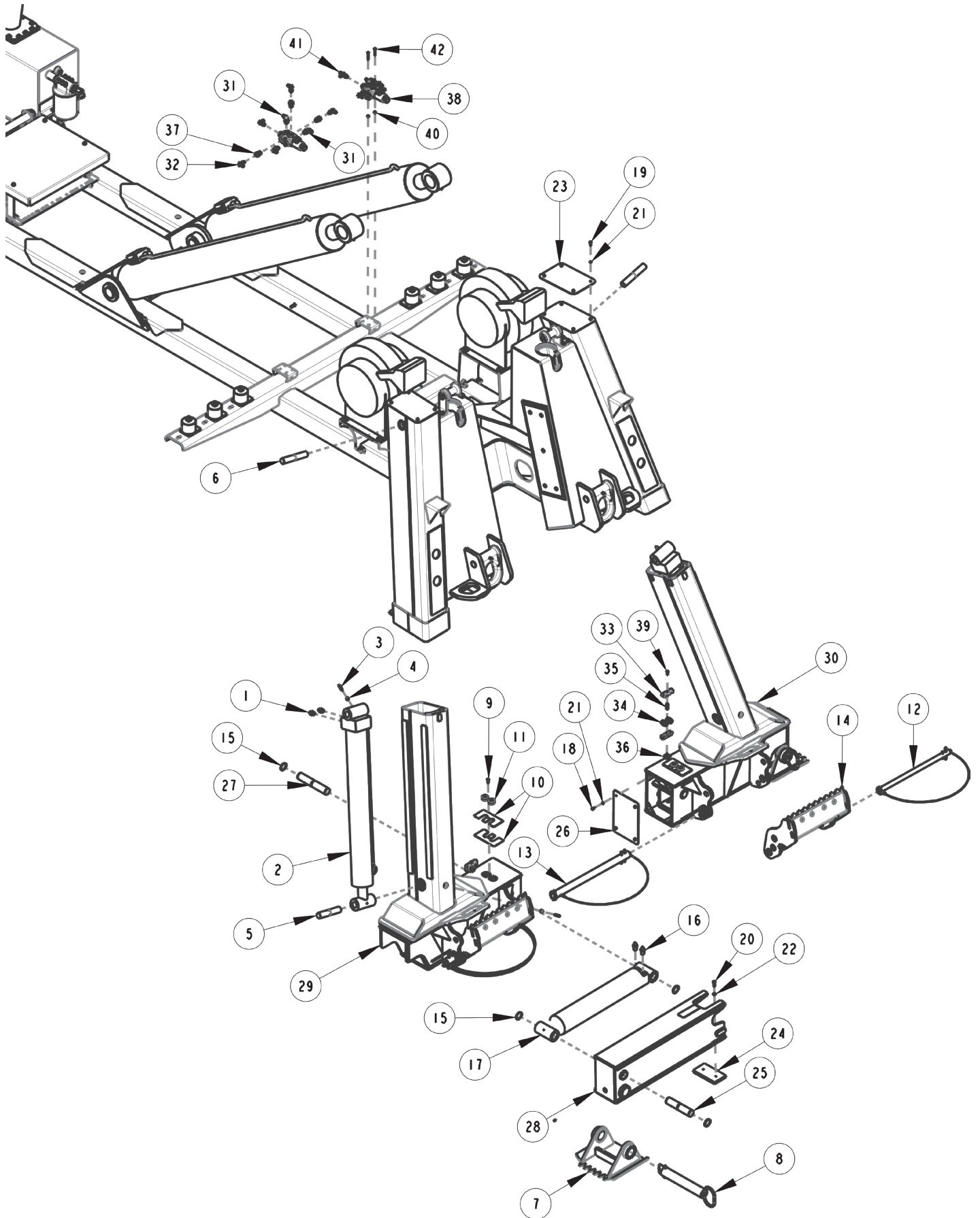
Section I - PARTS

SUBFRAME ASSEMBLY (HYDRAULIC EXTENDABLE REAR OUTRIGGERS)

ITEM	PART NUMBER	DESCRIPTION	QTY
--	0910353	BUA-9055 OUTRIGER SYSTEM - FACT12V	--
1	0300044	FITTING, HYDRAULIC CONN. 6MJ-8MB	4
2	0307843	CYLINDER, HYD TI-S40030032PPBZ	2
3	0400139	SET SCREW, 3/8-16X1-1/2 SOC	4
4	0400392	NUT, 3/8-16 LOK	4
5	0713128	SHAFT, LOWER SPADE	2
6	0713129	SHAFT, UPPER SPADE	2
7	0807635	PAD REAR OUTRIGGER PAD	2
8	0906963	PIN - REAR OUTRIGGER PAD ASSY	2
--	0911508	OUTRIGGER CLOSURE KIT, INTEGRATED	--
9	0400118	SCREW, 5/16-18X3/4 HHC GR5	2
10	0723889	PLATE-HOSE RETAINING	4
11	GH246	SPLIT RUBBER GROMMET	4
--	0912051	CENTURY SPADE KIT	--
12	0911123	PIN ASSY - SPADE LOCK	2
13	0911124	PIN ASSY - SPADE PIVOT	2
14	0911167	SPADE ASSY - REAR OUTRIGGER	2
--	09000068	LH OUTRIGGER LEG ASSEMBLY	--
--	09000070	RH OUTRIGGER LEG ASSEMBLY	--
15	0300109	SNAP RING, 1.5 5100-150	4
16	0302727	FITTING, HYD CONN	2
17	0310145	CYLINDER - OUTRIGGER EXTENDED	1
18	0400059	SCREW, 1/4-20X5/8 HHC GR5	4
19	0400066	SCREW, 1/4-20X3/4 HHC GR5	4
20	0400126	SCREW, 3/8-16X1 HHC GR5	2
21	0400452	LOCKWASHER, 1/4	8
22	0400482	LOCKWASHER, 3/8	2
23	0715584	PLATE, REAR SPADE COVER	1
24	0716645	SPACER, BTM	1
25	0719535	PIN, EXTEND CYL (ROD END)	1
26	0719539	COVER, END REAR HORIZ OUTRIG	1
27	0719540	PIN, EXTEND CYL (BASE END)	1
28	0807201	BOOM, 2ND STAGE OUTRIGGER 9055	1
29	0810586	OUTRIGGER WELDMENT, 15 SPADE LH	1
30	0810588	OUTRIGGER WELDMENT, 15 SPADE RH	1

Section I - PARTS

SUBFRAME ASSEMBLY (HYDRAULIC EXTENDABLE REAR OUTRIGGERS)



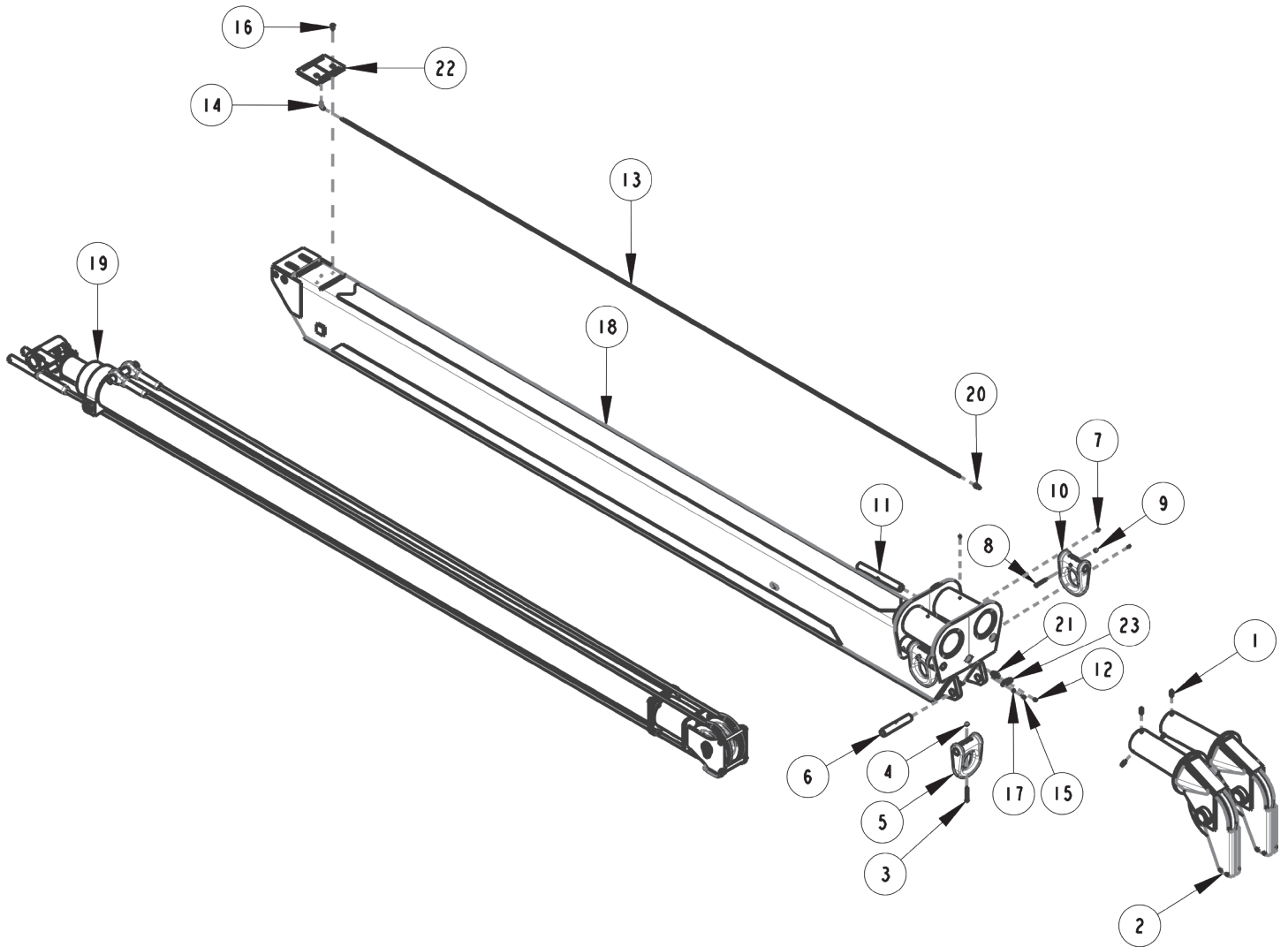
Section I - PARTS

SUBFRAME ASSEMBLY (HYDRAULIC EXTENDABLE REAR OUTRIGGERS)

ITEM	PART NUMBER	DESCRIPTION	QTY
--	09000093	KIT, HYDRAULIC-12V	--
31	0301470	FITTING, 90ELB 6MJ-8MB90	6
32	0301620	FITTING, HYD. 6MJ - 6MB90	6
33	0302546	CLAMPING UNIT C-PH-10-2	4
34	0302550	C-SB-10-12 3/4 SPLIT	8
35	0302551	C-SN-10 SOCKET-HEAD	4
36	0302552	C-WA-10 WELD ADAPTER	4
37	0303017	FITTING, CONNECTOR	6
38	0310881	6 WAY DIVERTER VALVE-12V	2
39	0400118	SCREW, 5/16-18X3/4 HHC GR5	4
40	0400367	NUT, 1/4-20 LOK	4
41	9012594	FITTING, HYDRAULIC RUN TEE, 6MJx6MBx6MJ	1
42	9041058	1/4 X 1 3/4 HHCS GR8	4

Section I - PARTS

3 - STAGE BOOM ASSEMBLY - INNER STAGE



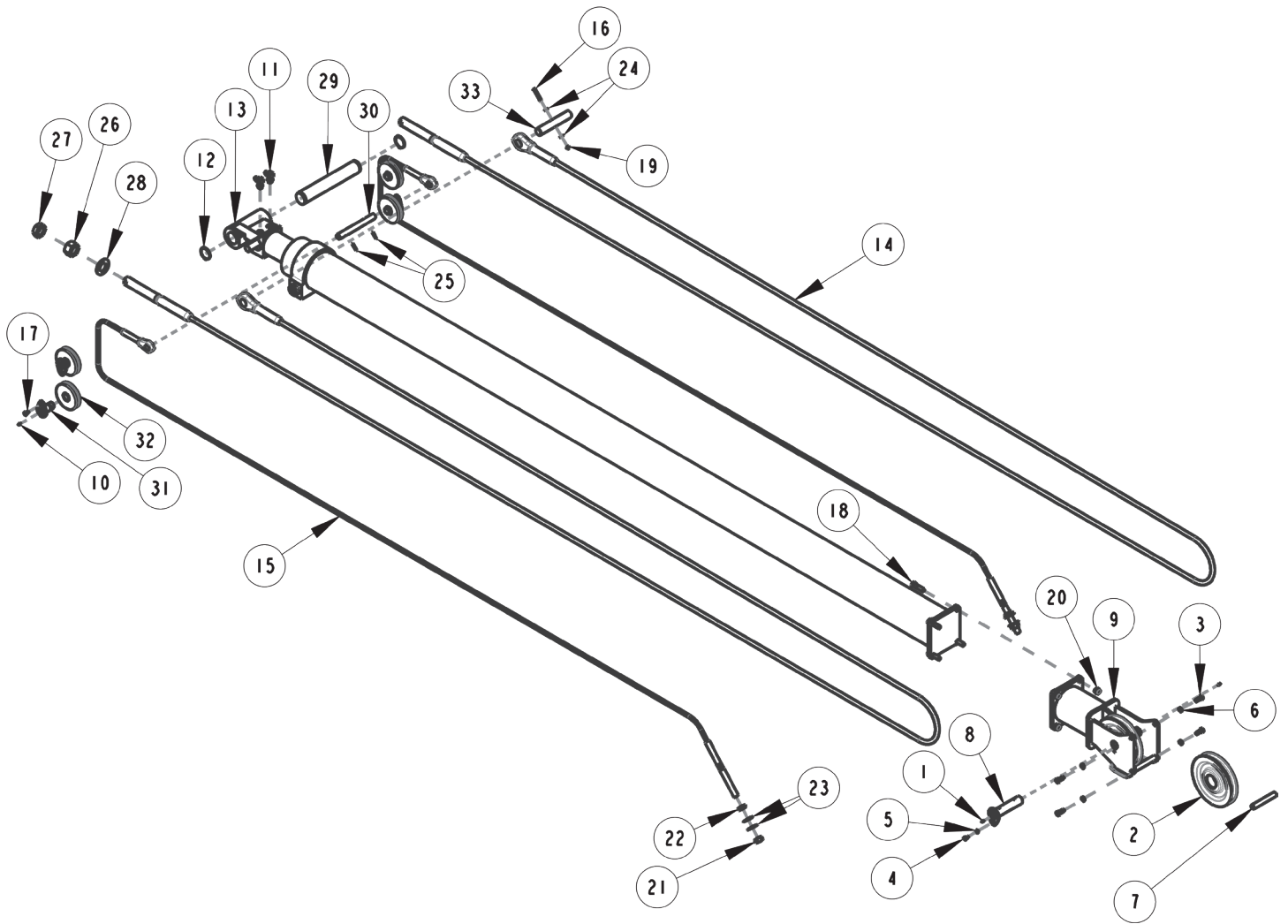
Section I - PARTS

3 - STAGE BOOM ASSEMBLY - INNER STAGE

ITEM	PART NUMBER	DESCRIPTION	QTY
--	0906533	KIT-BOOM SWIVEL	--
1	0400557	PIN, 1/2 X 1-1/4 SPR ZP	6
2	0906535	SWIVEL - BOOM ASSEMBLY	2
--	0908430	KIT-D RING BOOM	--
3	0400107	SCREW, 5/16-18X2-1/2 HHC GR5	1
4	0400776	NUT, 5/16-18 JAM LOCK	1
5	0719585	D-RING, TOWING	1
6	GA0215	PIN - D-RING	1
--	0910284	SIDE D-RING PARTS 1130/1140	--
7	0300113	GREASE FITTING, 1/4-28 STR	8
8	0400107	SCREW, 5/16-18X2-1/2 HHC GR5	4
9	0400776	NUT, 5/16-18 JAM LOCK	4
10	0719585	D-RING, TOWING	4
11	0722067	PIN - D-RING	4
--	0912095	BOOM INSTALL 9055 3STG 2015	--
12	0301895	GREASE FITTING, 1/8 STR PTF	1
13	0311460	1/4" GREASE TUBING	15FT
14	0311575	1/4x1/4 PTC SWIVEL MALE ELBOW	1
15	0400059	SCREW, 1/4-20X5/8 HHC GR5	2
16	0400349	SCREW, 3/8-16X3/4 FHS	2
17	0400452	LOCKWASHER, 1/4	2
18	0810614	INNER BOOM TUBE WELDMENT 9055	1
19	0912092	BOOM EXTEND SYSTEM 9055 2015	1
20	9012549	CONNECTOR-MALE 3/8TUBEX1	1
21	9012552	BULKHEAD ADAPTER 1/8M-1/8F NPT	1
22	946030004	UPPER WEAR PAD-RECOVERY	2
23	3012-793001	PLATE - LUBE MTG.	1

Section I - PARTS

3-STAGE EXTENSION SYSTEM ASSEMBLY



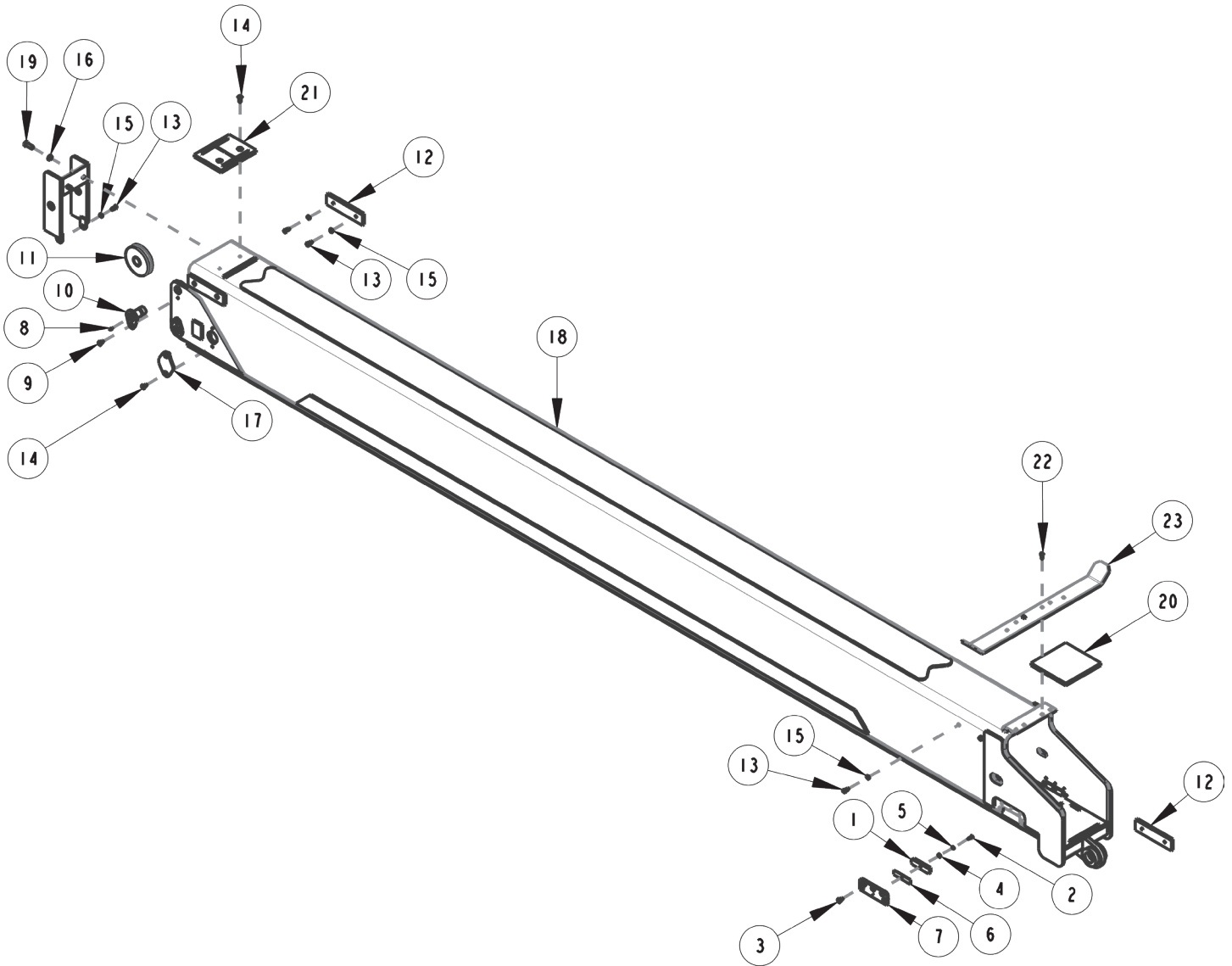
Section I - PARTS

3-STAGE EXTENSION SYSTEM ASSEMBLY

ITEM	PART NUMBER	DESCRIPTION	QTY
--	0912091	EXTEND SHEAVE ASSEMBLY 9055 2015	--
1	0300113	GREASE FITTING, 1/4-28 STRAIGHT	2
2	0303441	SHEAVE-10" DIA X 1.5 BORE	2
3	0400177	1/2-13 X 1 1/4 HHCS GR 5, ZP	4
4	0400223	3/8-16 X 3/4 FL. HD. SOCKET SCREW	1
5	0400483	LOCKWASHER, 3/8" COUNTERSUNK	1
6	0400491	1/2 HELICAL LOCK WASHER ZP	4
7	0717743	ROD EXTEND SHEAVE SPACER	2
8	0806722	SHAFT - EXTEND SHEAVE WELDMENT	1
9	0810620	EXTEND SHEAVE BRACKET WLDMT	1
--	0912092	BOOM EXTEND SYSTEM 9055 2015	--
10	0300113	GREASE FITTING, 1/4-28 STRAIGHT	4
11	0301388	ELBOW, 8MJ-8MB90	2
12	0305023	SNAP RING 5100-0225PP	2
13	0313097	CYLINDER, 9055 GEN X BOOM EXTEND	1
14	0313133	CABLE EXTEND ASSY 3-STG BOOM	2
15	0313134	CABLE ASSY RETRACT 3STG BOOM	2
16	0400146	SCREW, 3/8-16X2-1/4 HHC GR5	1
17	0400223	SCREW, 3/8-16X3/4 SHC	4
18	0400264	SCREW, 5/8-11X2-1/4 HHC GR5	4
19	0400398	3/8-16 NYLOCK JAM NUT ZP	1
20	0400421	5/8-11 NYLOCK HEX NUT ZP	4
21	0400471	7/8-14 UNF HEX NUT GR 8	2
22	0400472	7/8-14 UNF HEX NUT JAM GR 8	2
23	0400473	7/8 FLATWASHER GR 8	2
24	0400480	WASHER, 3/8	6
25	0400587	PIN, 1/4X1-1/2 SPR	2
26	0400930	1-1/2X12 NEX NUT GR 8	2
27	0400931	1-1/2X12 HEX JAM NUT GR 8	2
28	0400935	WASHER, 1-1/12 SAE GR 8	2
29	0717744	PIN, EXTEND CYLINDER	1
30	0717747	PIN, RETRACT CABLE	1
31	0806752	SHAFT - RETRACT SHEAVE WELDMENT	4
32	0908118	SHEAVE ASSEMBLY 5" DIA	4
33	GA0215	PIN - "D" RING	1

Section I - PARTS

3 - STAGE BOOM ASSEMBLY - MIDDLE STAGE



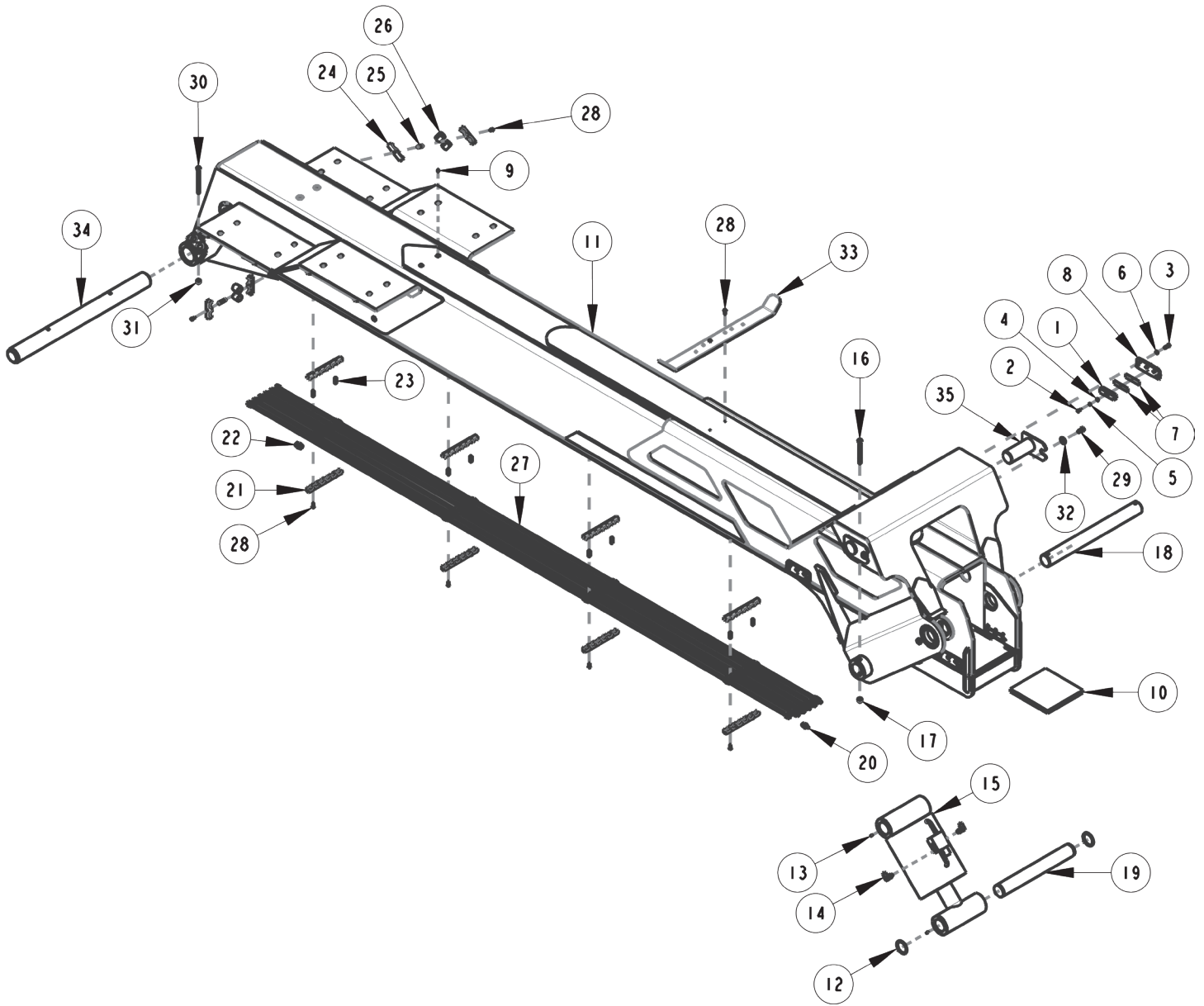
Section I - PARTS

3 - STAGE BOOM ASSEMBLY - MIDDLE STAGE

ITEM	PART NUMBER	DESCRIPTION	QTY
--	0908356	SLIDE PAD ASSY (9055 3 STAGE)	--
1	0303490	PAD-WEAR 1/2" X 1" X 4"	2
2	0400066	SCREW, 1/4-20X3/4 HHC GR5	2
3	0400349	SCREW, 3/8-16X3/4 FHS	10
4	0400451	WASHER, 1/4	2
5	0400452	LOCKWASHER 1/4	2
6	0717262	SHIM - SLIDE PAD	4
7	0718134	PLATE - SLIDE PAD SUPPORT	2
--	0912092	BOOM EXTEND SYSTEM 9055 2015	--
8	0300113	GREASE FITTING, 1/4-28 STRAIGHT	4
9	0400223	SCREW, 3/8-16X3/4 SHC	4
10	0806752	SHAFT - RETRACT SHEAVE WELDMENT	4
11	0908118	SHEAVE ASSEMBLY 5" DIA	4
--	0912095	BOOM INSTALL 9055 3STG 2015	--
12	0303892	SLIDE PAD-BOOM-SIDE	6
13	0400121	SCREW, 3/8-16X3/4 HHC GR5	13
14	0400349	SCREW, 3/8-16X3/4 FHS	14
15	0400482	LOCKWASHER, 3/8	8
16	0400491	LOCKWASHER, 1/2	2
17	0726426	PLATE-PIN KEEPER	2
18	0810612	BOOM MID STAGE WELDT	1
19	9041402	1/2 NC X 1 1/4 HHCS PLT GR8	2
20	916040004	WEAR PAD - LOWER	1
21	946030004	UPPER WEAR PAD-RECOVERY	2
--	0912121	BOOM INSTALLATION 9055 3STG GE	--
22	0400118	SCREW, 5/16-18X3/4 HHC GR5	11
23	0705104	PLATE, WINCH CABLE SPPT	2

Section I - PARTS

3 - STAGE BOOM ASSEMBLY - OUTER STAGE



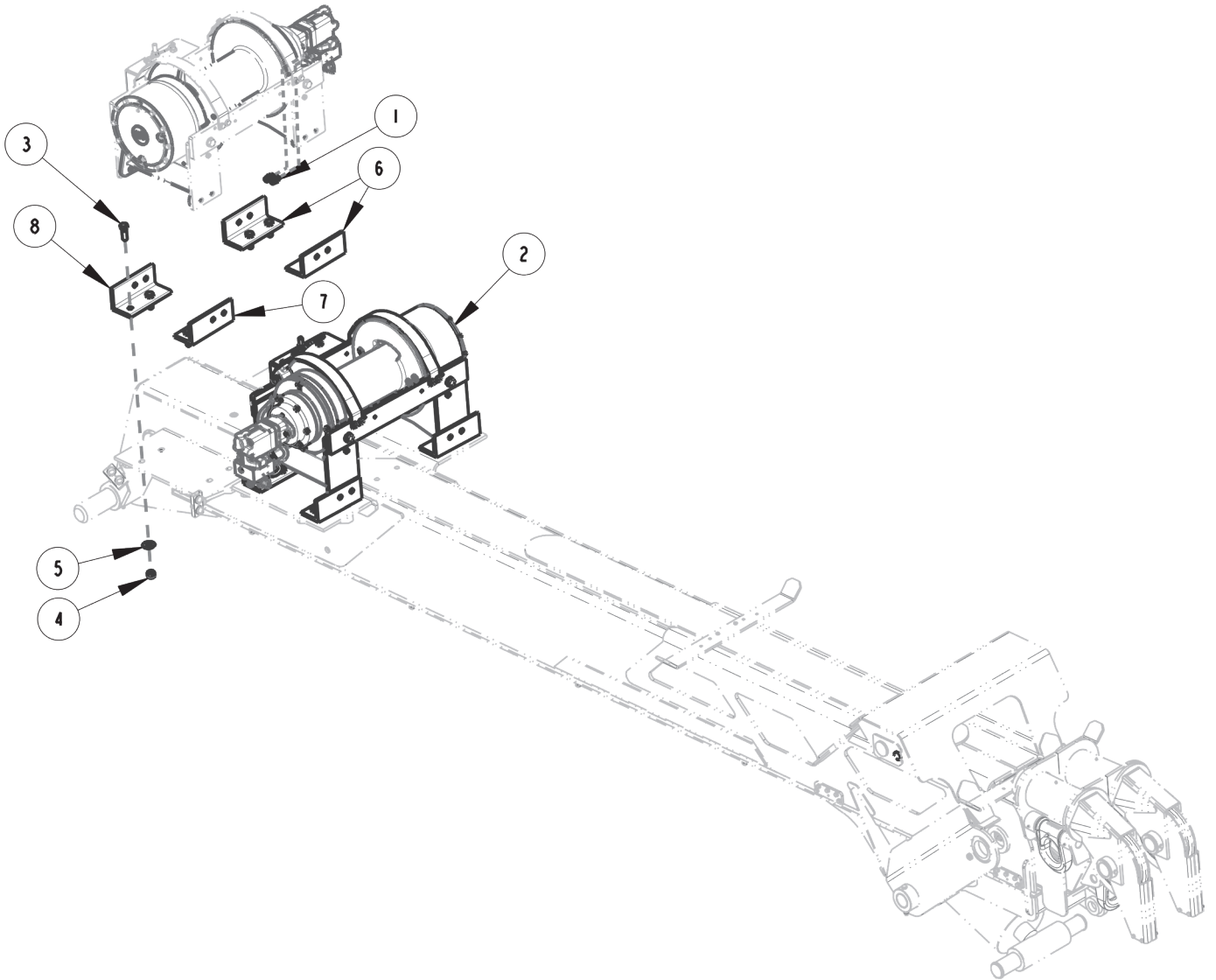
Section I - PARTS

3 - STAGE BOOM ASSEMBLY - OUTER STAGE

ITEM	PART NUMBER	DESCRIPTION	QTY
--	0908028	SLIDE PAD ASSY (9055 3 STAGE)	--
1	0306825	SLIDE PAD - 3/4 x 1 x 4	4
2	0400066	SCREW, 1/4-20X3/4 HHC GR5	4
3	0400126	SCREW, 3/8-16X1 HHC GR5	20
4	0400451	WASHER, 1/4	4
5	0400452	LOCKWASHER 1/4	4
6	0400482	LOCKWASHER 3/8	20
7	0717262	SHIM - SLIDE PAD	8
8	0717746	PLATE, SLIDE PAD SUPPORT	4
--	0912095	BOOM INSTALL 9055 3STG 2015	--
9	0300113	GREASE FITTING, 1/4-28 STR	4
10	03007973	PAD, SLIDE OUTER 9055XL	1
11	0810609	BOOM OUTER WELDT	1
--	0912120	KIT 9055 GENX TILT CYL	--
12	0300108	SNAP RING, 2.5 5100-250	2
13	0300113	GREASE FITTING, 1/4-28 STRAIGHT	2
14	0302276	FITTING, ELB 90 DEG	2
15	0313135	CYLINDER, HYDRAULIC 9055-TILT	1
16	0400206	SCREW, 1/2-13X5 HHC GR5	2
17	0400408	NUT, 1/2-13 LOK	2
18	0708124	PIN, TILT CYL BASE	1
19	0717095	SHAFT	1
--	0912121	BOOM INSTALLATION 9055 3STG GE	--
20	0302514	ADAPTER 8MJ-6MJ	6
21	0302548	CLAMPING UNIT(set) HC-10-6	4
22	0302549	SPLIT BUSH.RUBBER C-SB10-8 1/2	24
23	0302551	C-SN-10 SOCKET-HEAD	8
24	0302835	C-WA-10 WELD ADAPTER	10
25	0302836	SOCKET-HD STACKING NUTS	3
26	0302837	SPLIT BUSHING 1"	6
27	0313228	HYDRAULIC TUBE	6
28	0400118	SCREW, 5/16-18X3/4 HHC GR5	11
29	0400176	SCREW, 1/2-13X1 HHC GR5	2
30	0400220	SCREW, 1/2-13X5-1/2 HHC GR5	1
31	0400408	NUT, 1/2-13 LOK	4
32	0400492	WASHER, 1/2	2
33	0705104	PLATE, WINCH CABLE SPPT	2
34	0715953	PIN, BOOM PIVOT	1
35	0810639	PIN WELDMENT	2

Section I - PARTS

DUAL 2 - SPEED PLANETARY WINCH ASSEMBLY



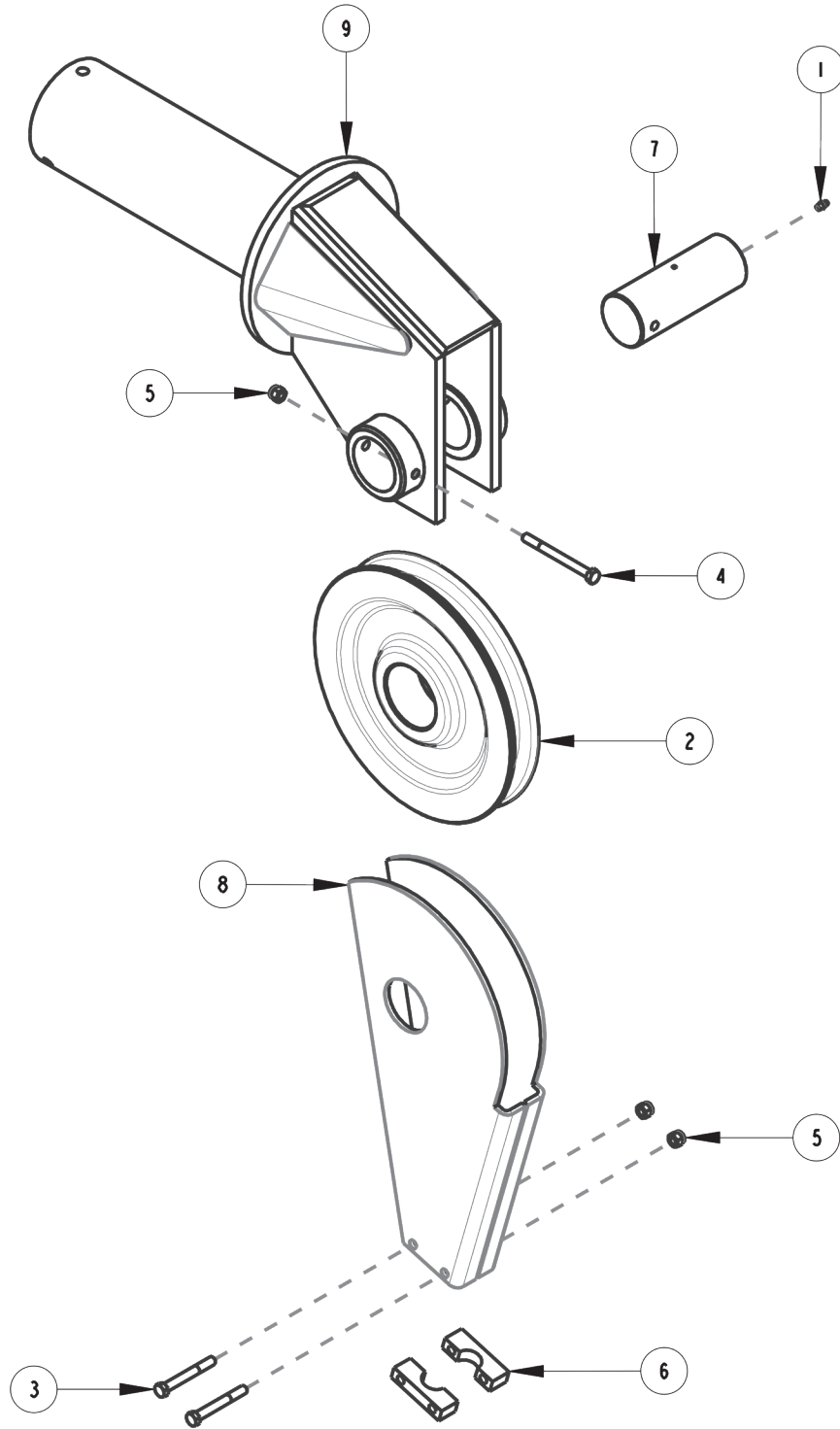
Section I - PARTS

DUAL 2 - SPEED PLANETARY WINCH ASSEMBLY

ITEM	PART NUMBER	DESCRIPTION	QTY
--	0912126	WINCH ASSEMBLY 9055	--
1	0303079	ADAPTER, 10MJ-10MB	4
2	0303505	WINCH-dp MODEL S50-50K (2)SPD	2
3	0400284	SCREW, 3/4-10X2-1/4 HHC GR5	16
4	0400430	NUT, 3/4-10 LOK	16
5	0400510	WASHER, 3/4	16
6	0709703	ANGLE, WINCH MTG 9055	4
7	0709704	ANGLE, WINCH MTG 9055	2
8	0709705	ANGLE, WINCH MTG 9055	2

Section I - PARTS

BOOM SWIVEL ASSEMBLY



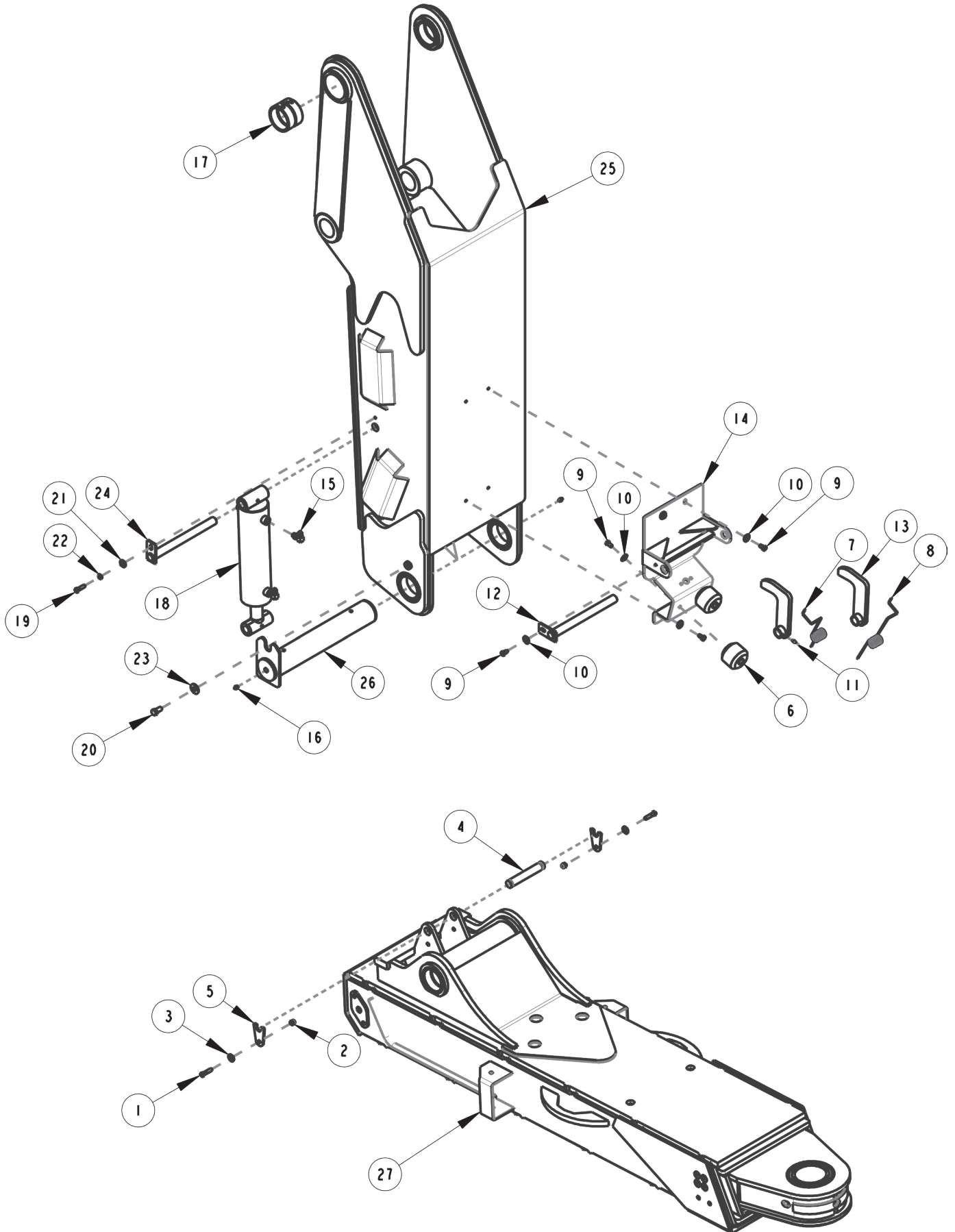
Section I - PARTS

BOOM SWIVEL ASSEMBLY

ITEM	PART NUMBER	DESCRIPTION	QTY
--	0906533	KIT - BOOM SWIVEL	--
1	0300113	GREASE FITTING, 1/4"-28 STRAIGHT	2
2	0300311	SHEAVE, 12-101BB 10	2
3	0400133	SCREW, 3/8"-16 X 3" HEX HD CAP GR 5 ZP	4
4	0400140	SCREW, 3/8"-16 X 4" HEX HD CAP GR 5 ZP	2
5	0400392	NUT, 3/8"-16 NYLOCK HEX ZP	6
6	0700511	GUIDE, BOTTOM CABLE	4
7	0700563	SHEAVE SHAFT	2
8	0802027	CABLE GUIDE WELDMENT	2
9	0804450	BOOM END SWIVEL WLDT-FIXED 9055	2

Section I - PARTS

TOWER AND UNDERLIFT ASSEMBLY - COACH LOWRIDER



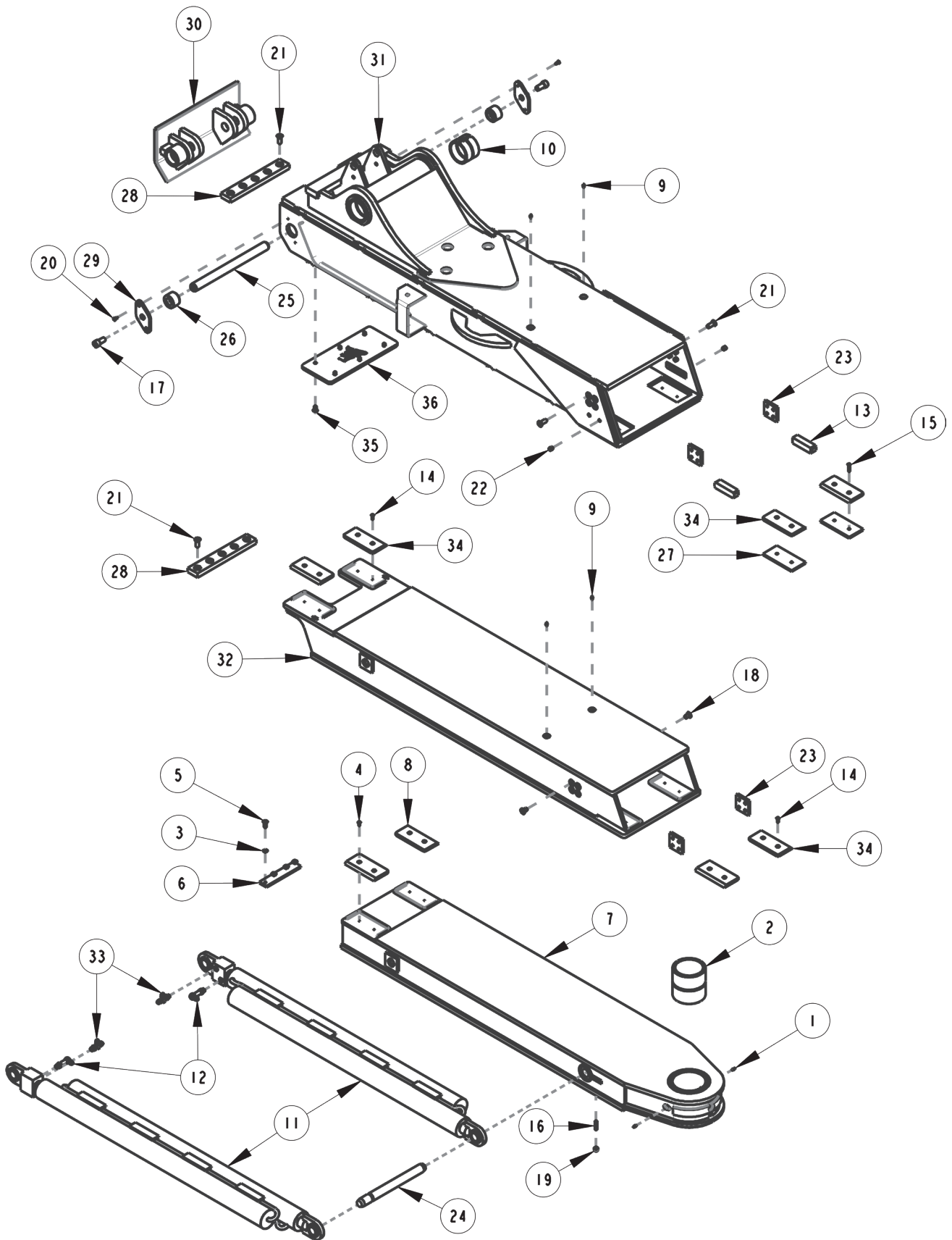
Section I - PARTS

TOWER AND UNDERLIFT ASSEMBLY - COACH LOWRIDER

ITEM	PART NUMBER	DESCRIPTION	QTY
--	0911362	PIN ASSY-FOLD	--
1	0400132	SCREW, 3/8-16X1-1/2 HHC GR5	2
2	0400392	NUT, 3/8-16 LOK	2
3	0400480	WASHER, 3/8	2
4	0724977	PIN	1
5	0724978	KEEPER PLATE	2
--	0911607	HOOK RETAINER ASSEMBLY, W/ LOWRIDER	--
6	0306688	TIMBREN SPRING 180 AEON 2 7/8"	2
7	0311909	SPRING, CABLE RETAINER, LH	1
8	0311910	SPRING, CABLE RETAINER, RH	1
9	0400149	SCREW, 3/8-16X5/8 HHC GR5	7
10	0400480	WASHER, 3/8	7
11	0410400	GREASE FITTING, 1/4-28 STR SS	2
12	0802459	PIN - FOLD CYLINDER WELDMENT	1
13	0810272	HOOK RETAINER WELDMENT	2
14	0810307	HOOK RETAINER FRAME WELDMENT	1
--	0912164	U/L AND TOWER 9055 XR COACH LOWRIDER	--
15	0301620	FITTING, HYDRAULIC 6MJ - 6MB90	2
16	0301895	GREASE FITTING, 1/8 STR PTF	2
17	0302538	BUSHING - U/L	2
18	0306746	CYLINDER, HYDRAULIC - FOLD	1
19	0400122	SCREW, 3/8-16X1-1/4 HHC GR5	1
20	0400176	SCREW, 1/2-13X1 HHC GR5	1
21	0400480	WASHER, 3/8	1
22	0400482	LOCKWASHER 3/8	1
23	0400492	WASHER, 1/2	1
24	0802459	PIN - FOLD CYLINDER WELDMENT	1
25	0810619	TOWER WELDT 9055	1
26	0810634	PIN UNDERLIFT PIVOT WELDMENT	1
27	0911338	LOWRIDER ASSY - 9055 COACH	1

Section I - PARTS

TOWER AND UNDERLIFT ASSEMBLY - COACH LOWRIDER



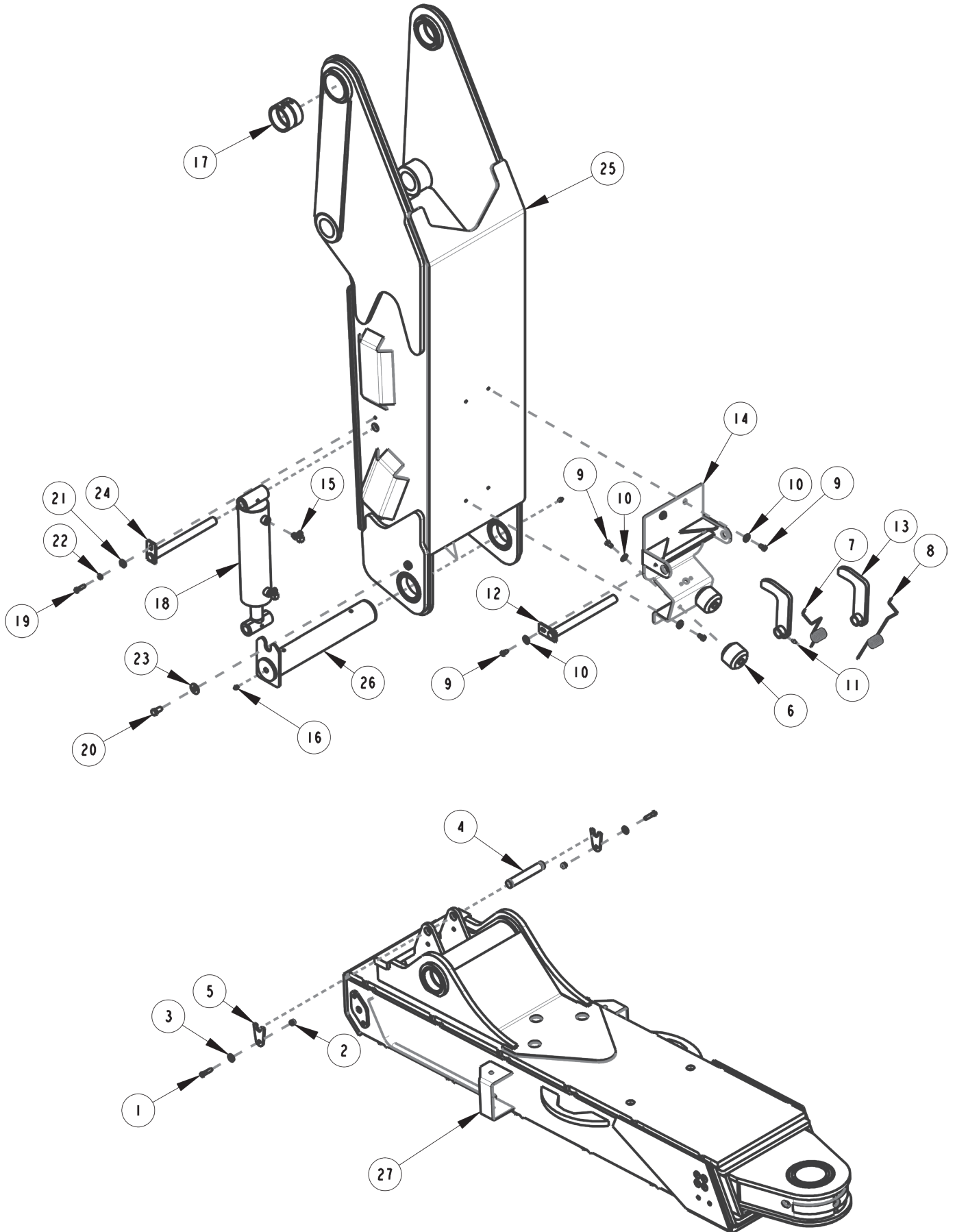
Section I - PARTS

TOWER AND UNDERLIFT ASSEMBLY - COACH LOWRIDER

ITEM	PART NUMBER	DESCRIPTION	QTY
--	0910476	INNER BOOM ASSEMBLY	--
1	0300113	GREASE FITTING, 1/4-28 STR	2
2	0303088	BUSHING - PIVOT PIN	1
3	0400483	LOCKWASHER 3/8 CET	4
4	0400594	SCREW, 1/4-20X5/8 FHS	4
5	0400653	SCREW, 3/8-24X1 FHS	4
6	0706996	PAD, SPACER	1
7	0806813	BOOM - 3rd STAGE WELDMENT U/L	1
8	930150003	TOP PADS	2
--	0911338	LOWRIDER ASSY - 9055 COACH	--
9	0300113	GREASE FITTING, 1/4-28 STR	6
10	0302538	BUSHING - U/L	2
11	0307425	CYLINDER, HYDRAULIC - U/L BOOM EXTEND	2
12	0307460	FITTING, HYD 6MJ-6MB90LL	2
13	0311608	WEAR PAD (1 x 1 x 4)	2
14	0400079	SCREW, 1/4-20X3/4 FHS GR5	8
15	0400086	SCREW, 1/4-20X1-1/4 FHS	4
16	0400139	SET SCREW, 3/8-16X1-1/2 SOC	1
17	0400249	SCREW, 5/8-11X1-1/4 SHC	2
18	0400344	SCREW, 1/2-13X3/4 FHS GR8	8
19	0400392	NUT, 3/8-16 LOCK	1
20	0400594	SCREW, 1/4-20X5/8 FHS	4
21	0400749	SCREW, 1/2-13X1-1/4 FHS	18
22	0400990	SET SCREW, 1/2-13X1/2 SOC	4
23	0717869	PLATE, SPACER (BOLT-ON)	4
24	0717871	PIN, CYL. ROD	1
25	0717872	PIN, EXTEND CYL. BASE	1
26	0717873	PIN, SHEAR OUTER BOOM	2
27	0718087	PLATE - PAD SPACER	2
28	0718096	BLOCK, STOP	2
29	0724419	PLATE-PLUG RETAINER	2
30	0806812	BRACKET - EXTEND CYLINDER	1
31	0810105	OUTER BOOM WELDMENT	1
32	0810106	2nd STAGE BOOM WELDMENT	1
33	9012594	FITTING, HYDRAULIC RUN TEE, 6MJx6MBx6MJ	2
34	930150003	TOP PADS	6
--	124004464	ALUM HEEL PLATE - 14" SDU4 & COACH	--
35	0400155	SCREW, 3/8-16X3/4 FHS	6
36	0724683	U/L HEEL POLISHED-LOWRIDER	1

Section I - PARTS

TOWER AND UNDERLIFT ASSEMBLY - STREET LOWRIDER



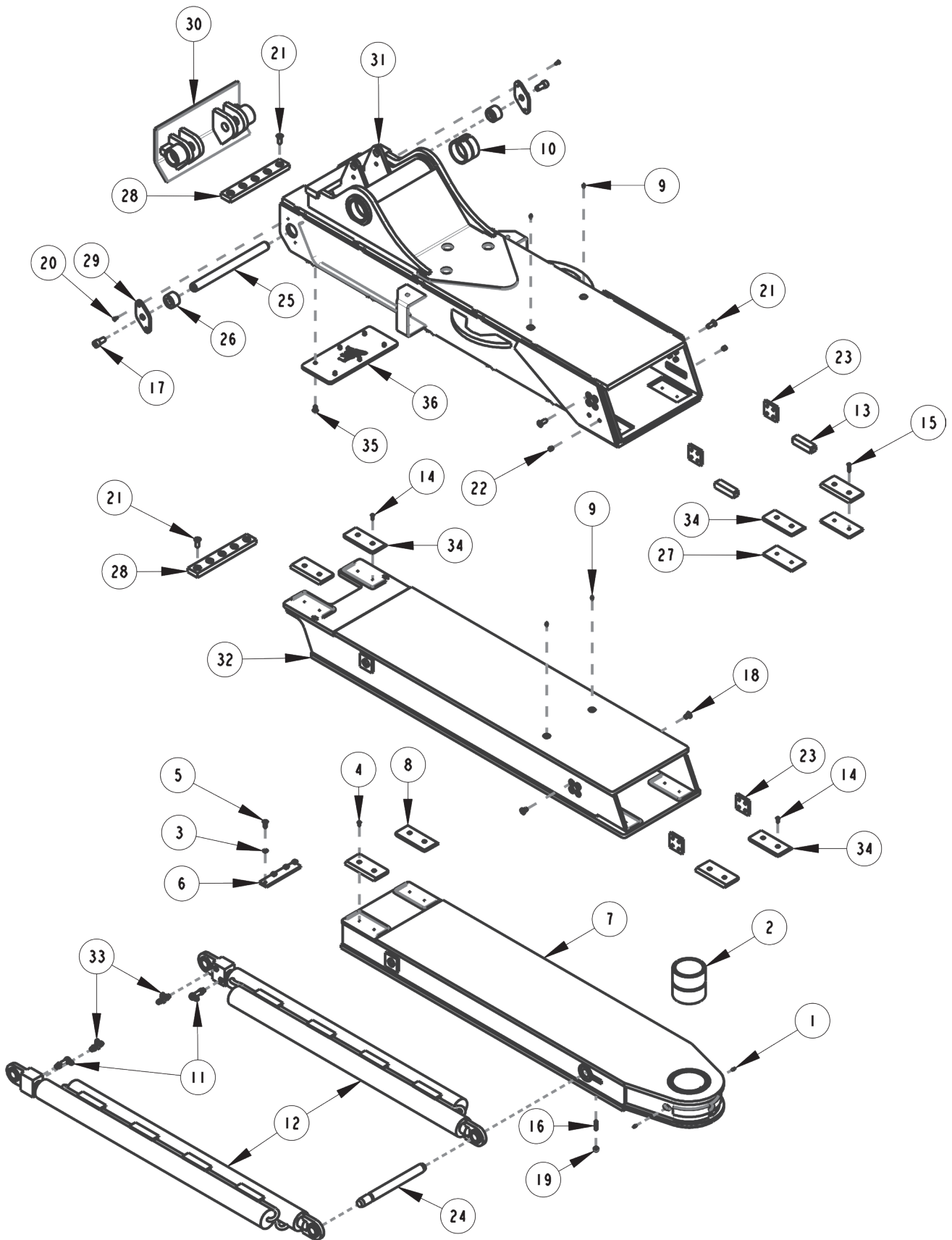
Section I - PARTS

TOWER AND UNDERLIFT ASSEMBLY - STREET LOWRIDER

ITEM	PART NUMBER	DESCRIPTION	QTY
--	0911362	PIN ASSY-FOLD	--
1	0400132	SCREW, 3/8-16X1-1/2 HHC GR5	2
2	0400392	NUT, 3/8-16 LOK	2
3	0400480	WASHER, 3/8	2
4	0724977	PIN	1
5	0724978	KEEPER PLATE	2
--	0911607	HOOK RETAINER ASSEMBLY, W/ LOWRIDER	--
6	0306688	TIMBREN SPRING 180 AEON 2 7/8"	2
7	0311909	SPRING, CABLE RETAINER, LH	1
8	0311910	SPRING, CABLE RETAINER, RH	1
9	0400149	SCREW, 3/8-16X5/8 HHC GR5	7
10	0400480	WASHER, 3/8	7
11	0410400	GREASE FITTING, 1/4-28 STR SS	2
12	0802459	PIN - FOLD CYLINDER WELDMENT	1
13	0810272	HOOK RETAINER WELDMENT	2
14	0810307	HOOK RETAINER FRAME WELDMENT	1
--	0912119	9055 GENX TOWER LESS UL	--
15	0301620	FITTING, HYDRAULIC 6MJ - 6MB90	2
16	0301895	GREASE FITTING, 1/8 STR PTF	2
17	0302538	BUSHING - U/L	2
18	0306746	CYLINDER, HYDRAULIC - FOLD	1
19	0400122	SCREW, 3/8-16X1-1/4 HHC GR5	1
20	0400176	SCREW, 1/2-13X1 HHC GR5	1
21	0400480	WASHER, 3/8	1
22	0400482	LOCKWASHER 3/8	1
23	0400492	WASHER, 1/2	1
24	0802459	PIN - FOLD CYLINDER WELDMENT	1
25	0810619	TOWER WELDT 9055	1
26	0810634	PIN UNDERLIFT PIVOT WELDMENT	1
27	0911412	LOWRIDER ASSY-9055 STREET 100K	1

Section I - PARTS

TOWER AND UNDERLIFT ASSEMBLY - STREET LOWRIDER



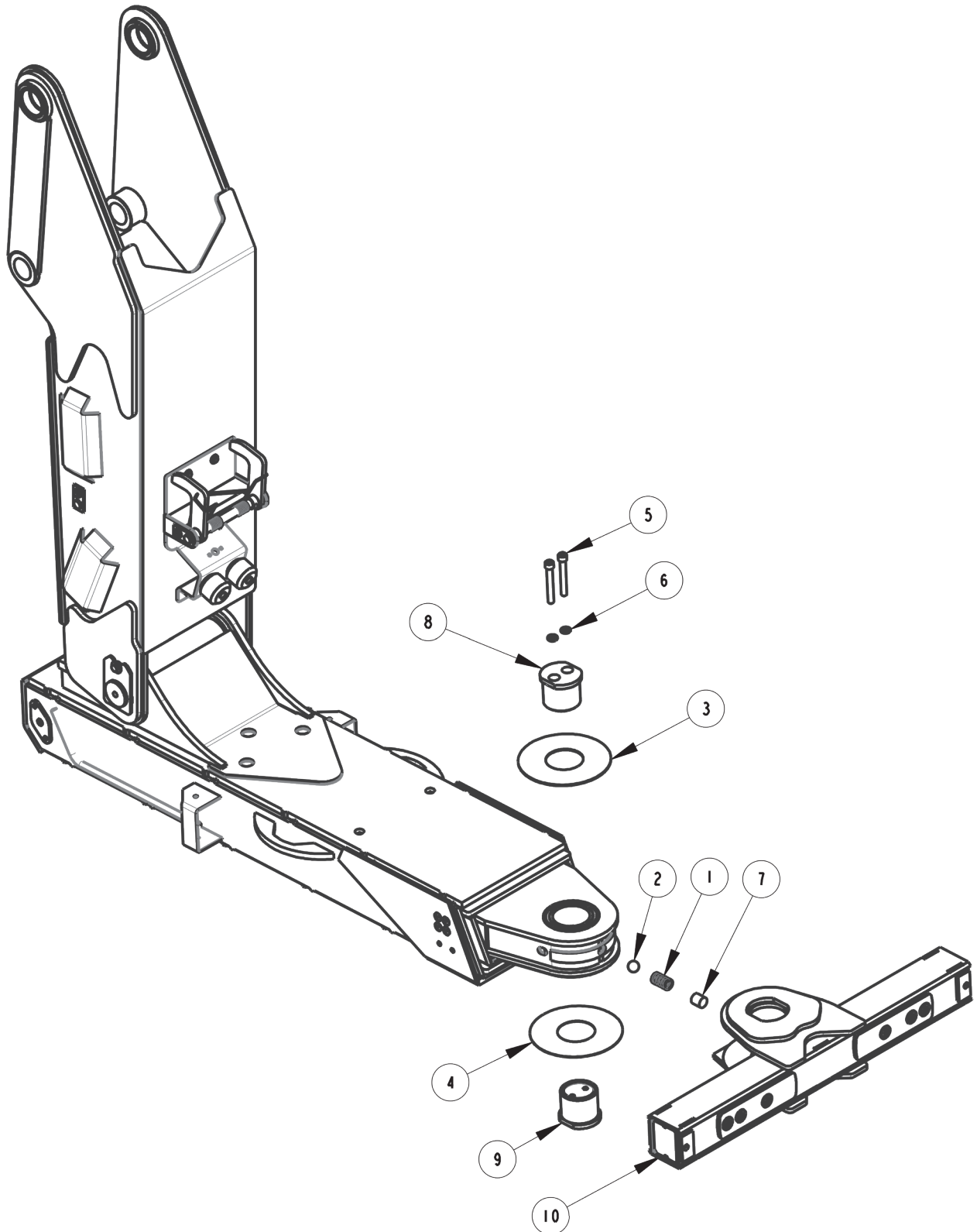
Section I - PARTS

TOWER AND UNDERLIFT ASSEMBLY - STREET LOWRIDER

ITEM	PART NUMBER	DESCRIPTION	QTY
--	0911040	LOWRIDER 3 INNER ASSY	--
1	0300113	GREASE FITTING, 1/4-28 STR	2
2	0303088	BUSHING - PIVOT PIN	1
3	0400483	LOCKWASHER 3/8 CET	4
4	0400594	SCREW, 1/4-20X5/8 FHS	4
5	0400653	SCREW, 3/8-24X1 FHS	4
6	0706996	PAD, SPACER	1
7	0807975	INNER UL BOOM 7035 LOWRIDER 3	1
8	930150003	TOP PADS	2
--	0911412	LOWRIDER ASSY-9055 STREET 100K	--
9	0300113	GREASE FITTING, 1/4-28 STR	6
10	0302538	BUSHING - U/L	2
11	0307460	FITTING, HYD 6MJ-6MB90LL	2
12	0310629	CYLINDER, HYDRAULIC - U/L BOOM EXTEND	2
13	0311442	WEAR PAD (15/16 x 1 x 4)	2
14	0400079	SCREW, 1/4-20X3/4 FHS GR5	8
15	0400086	SCREW, 1/4-20X1-1/4 FHS	4
16	0400139	SET SCREW, 3/8-16X1-1/2 SOC	1
17	0400249	SCREW, 5/8-11X1-1/4 SHC	2
18	0400344	SCREW, 1/2-13X3/4 FHS GR8	8
19	0400392	NUT, 3/8-16 LOCK	1
20	0400594	SCREW, 1/4-20X5/8 FHS	4
21	0400749	SCREW, 1/2-13X1-1/4 FHS	18
22	0400990	SET SCREW, 1/2-13X1/2 SOC	4
23	0717869	PLATE, SPACER (BOLT-ON)	4
24	0717871	PIN, CYL. ROD	1
25	0717872	PIN, EXTEND CYL. BASE	1
26	0717873	PIN, SHEAR OUTER BOOM	2
27	0718087	PLATE - PAD SPACER	2
28	0718096	BLOCK, STOP	2
29	0724419	PLATE-PLUG RETAINER	2
30	0810014	BRACKET - EXTEND CYLINDER	1
31	0810147	OUTER BOOM WELDMENT LOWRIDER 9055	1
32	0810148	2nd STAGE BOOM WELDMENT - 9055 LR	1
33	9012594	FITTING, HYDRAULIC RUN TEE, 6MJx6MBx6MJ	2
34	930150003	TOP PADS	6
--	124004467	ALUM HEEL PLATE 17" STREET LOWRIDER	--
35	0400155	SCREW, 3/8-16X3/4 FHS	6
36	0724686	U/L HEEL POLISHED-4 LRIDER	1

Section I - PARTS

CROSSBAR ASSEMBLY



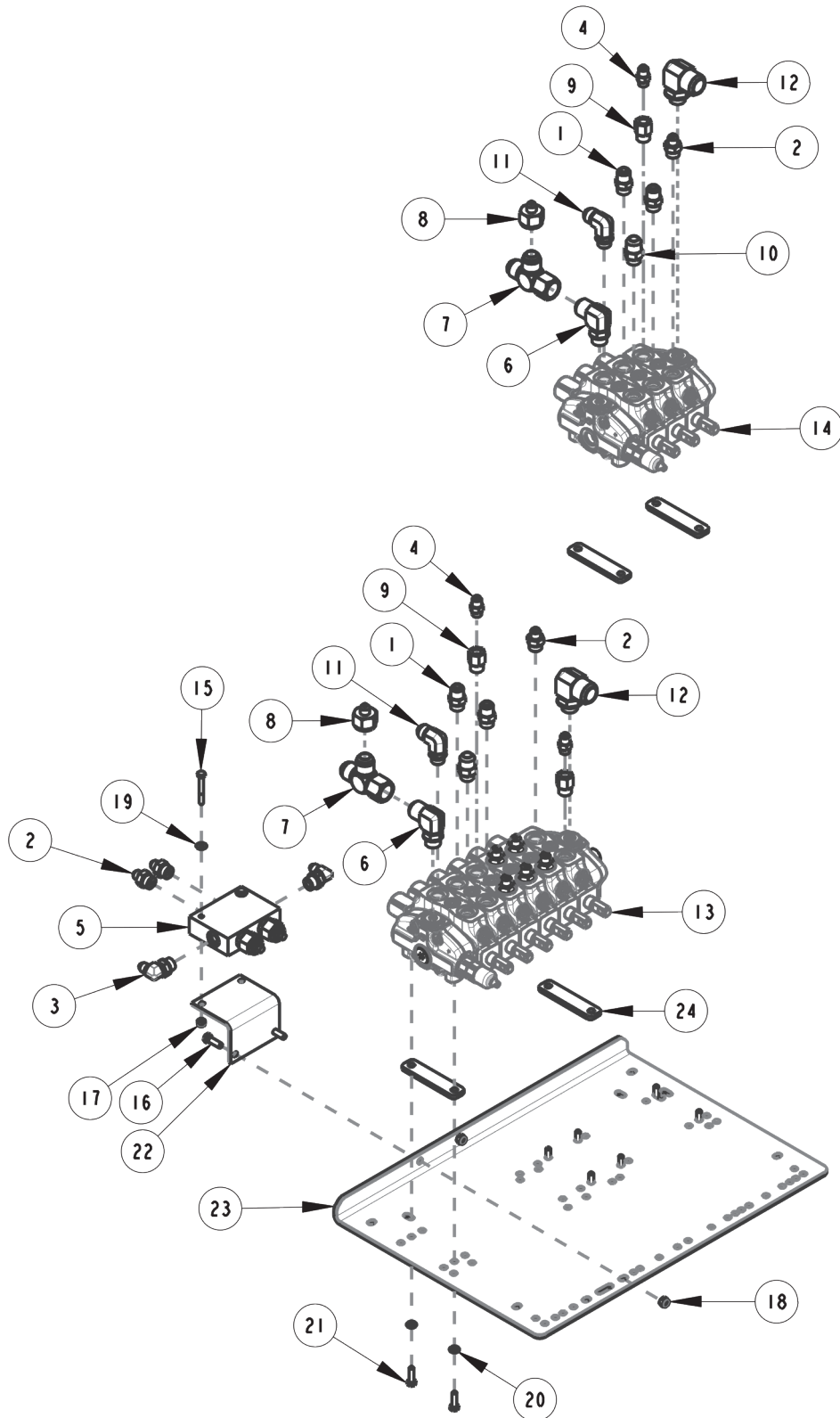
Section I - PARTS

CROSSBAR ASSEMBLY

ITEM	PART NUMBER	DESCRIPTION	QTY
--	0910935	XBAR ASY HRDWR-XHD 5X5 CENTURY	--
1	0301197	COMPRESSED SPRING CROSS BAR, FI	1
2	0301398	STEEL BALL, 1-3/16 DIA	1
3	0303097	THRUST WASHER - 1/8 THK	1
4	0303098	THRUST WASHER - 1/16 THK	2
5	0400271	SCREW, 5/8-11X4-1/2 HHC	2
6	0400508	LOCKWASHER, 5/8	2
7	0708470	SPACER, DETENT BALL SPRG	1
8	0724980	PIN-TOP HALF PIVOT	1
9	0724981	PIN-BOTTOM HALF PIVOT	1
10	0807124	CROSSBAR WELDMENT 25K, CENTURY	1

Section I - PARTS

PAN VALVE ASSEMBLY - WALVOIL



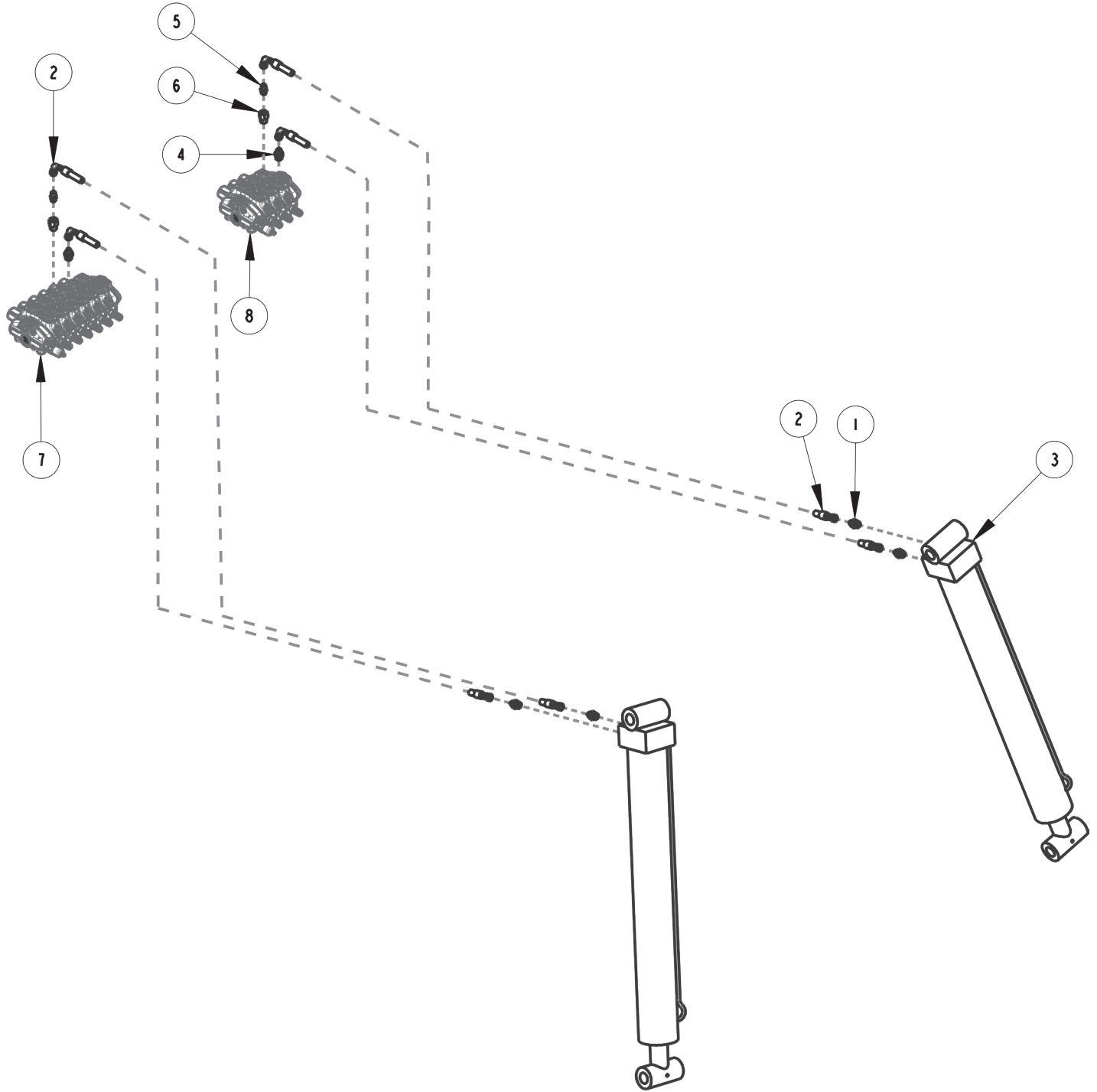
Section I - PARTS

PAN VALVE ASSEMBLY - WALVOIL

ITEM	PART NUMBER	DESCRIPTION	QTY
--	0911983	PAN - VALVE ASSEMBLY 9055 WALVOIL	--
1	0300041	FITTING, CONNECTOR 8MJ-8MB	4
2	0300044	FITTING, HYDRAULIC CONN. 6MJ-8MB	9
3	0301470	FITTING, 90ELB 6MJ-8MB90	2
4	0301522	FITTING, CONNECTOR 6MJ-6MB	3
5	0301730	VALVE, DOUBLE HOLDING	1
6	0302085	FITTING, HYDRAULIC 90 DEG ADAPTER	2
7	0302826	FITTING, TEE	2
8	0302829	FITTING, ADAPTOR	2
9	0303017	FITTING, CONNECTOR	3
10	0303079	ADAPTER, 10MJ-10MB	2
11	0303520	FITTING, ELL 90 DEG	2
12	0307444	FITTING, 16MJ-10MB90	2
13	0312421	VALVE - CONTROL 6-SPOOL MCCCCM	1
14	0312422	VALVE - CONTROL 3-SPOOL MCC	1
15	0400078	SCREW, 1/4-20X2 HHC GR5	2
16	0400109	SCREW, 5/16-18X1 HHC GR5	2
17	0400367	NUT, 1/4-20 LOK	2
18	0400382	NUT, 5/16-18 LOK	2
19	0400451	WASHER, 1/4	2
20	0400464	LOCKWASHER, 5/16	8
21	0400841	SCREW, M8-1.25X20 HHC 10.9	8
22	0719122	PLATE - VALVE MOUNTING	1
23	0726586	PLATE - VALVE MOUNTING	1
24	0726587	PLATE - VALVE SPACER	4

Section I - PARTS

DIAGONAL REAR SPADES HYDRAULICS



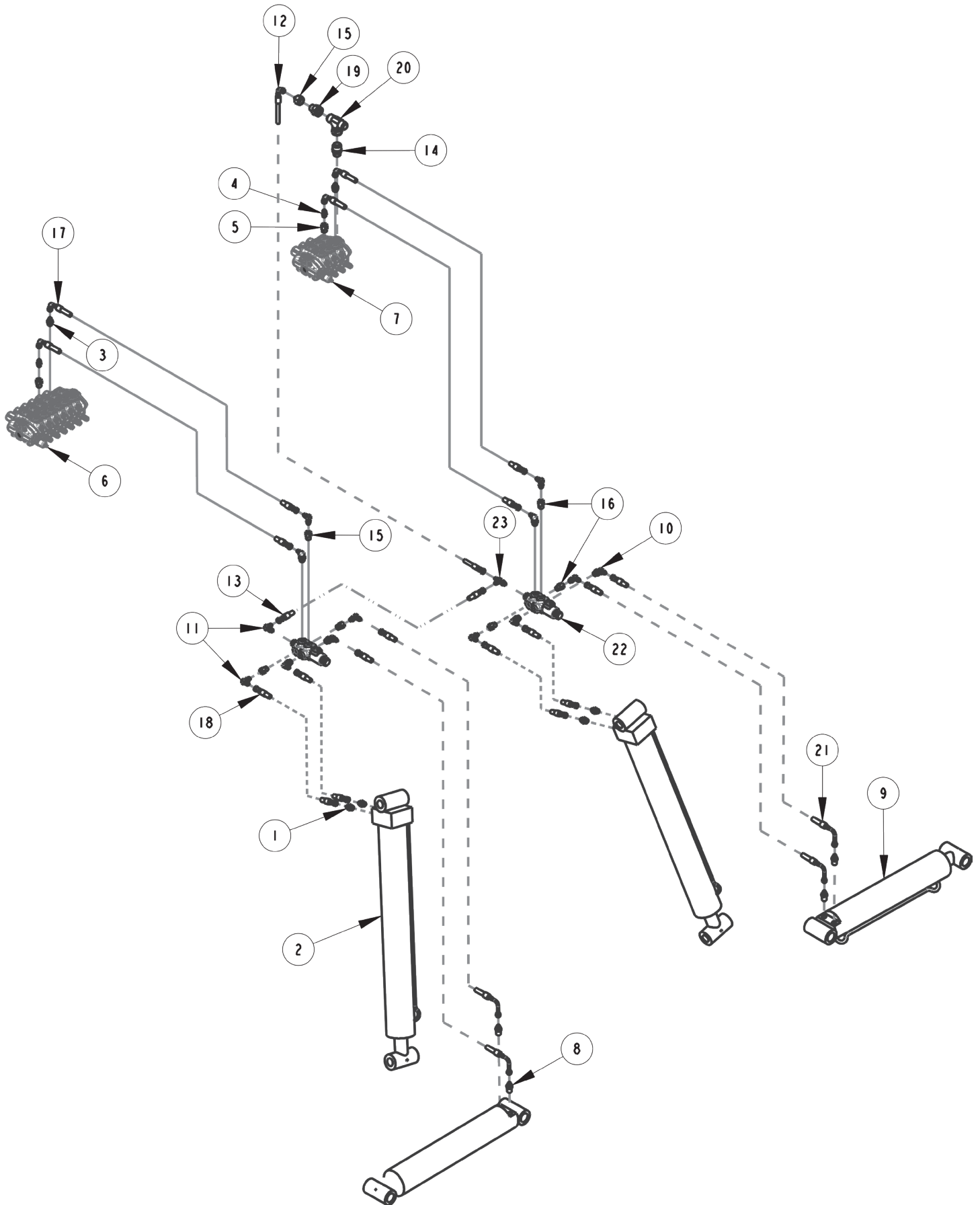
Section I - PARTS

DIAGONAL REAR SPADES HYDRAULICS

ITEM	PART NUMBER	DESCRIPTION	QTY
--	0906313	SPADE ASSEMBLY - REAR HYDRAULIC	--
1	0300044	FITTING, HYDRAULIC CONN. 6MJ-8MB	4
2	0303748	HOSE, HYDRAULIC 136 LG	4
3	0307843	CYLINDER, HYD TI-S40030032PPBZ	2
--	0911983	PAN - VALVE ASSEMBLY 9055 WALVOIL	--
4	0300044	FITTING, HYDRAULIC CONN. 6MJ-8MB	9
5	0301522	FITTING, CONNECTOR 6MJ-6MB	3
6	0303017	FITTING, CONNECTOR	3
7	0312421	VALVE - CONTROL 6-SPOOL MCCCCM	1
8	0312422	VALVE - CONTROL 3-SPOOL MCC	1

Section I - PARTS

EXTENDABLE REAR OUTRIGGER HYDRAULICS



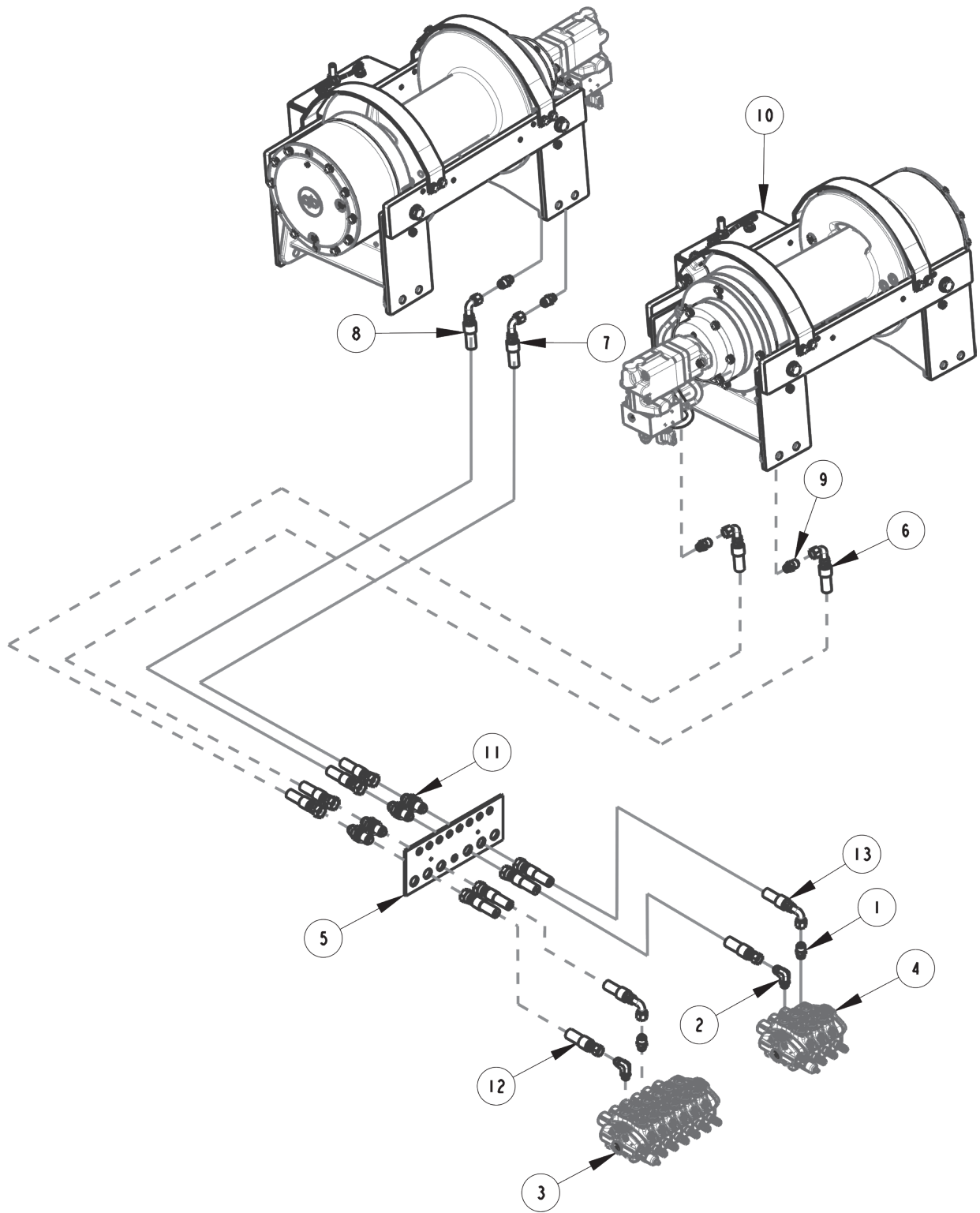
Section I - PARTS

EXTENDABLE REAR OUTRIGGER HYDRAULICS

ITEM	PART NUMBER	DESCRIPTION	QTY
--	0910353	BUA-9055 OUTRIGGER SYSTEM-FACT12V	--
1	0300044	FITTING, HYDRAULIC CONN. 6MJ-8MB	4
2	0307843	CYLINDER, HYD TI-S40030032PPBZ	2
--	0911983	PAN - VALVE ASSEMBLY 9055 WALVOIL	--
3	0300044	FITTING, HYDRAULIC CONN. 6MJ-8MB	9
4	0301522	FITTING, CONNECTOR 6MJ-6MB	3
5	0303017	FITTING, CONNECTOR	3
6	0312421	VALVE - CONTROL 6-SPOOL MCCCCM	1
7	0312422	VALVE - CONTROL 3-SPOOL MCC	1
--	09000068	LH OUTRIGGER LEG ASSEMBLY	--
--	09000070	RH OUTRIGGER LEG ASSEMBLY	--
8	0302727	FITTING, HYD CONN	2
9	0310145	CYLINDER - OUTRIGGER EXTENDED	1
--	09000093	KIT, HYDRAULIC-12V	--
10	0301470	FITTING, 90ELB 6MJ-8MB90	6
11	0301620	FITTING, HYD. 6MJ - 6MB90	6
12	0301695	HOSE, HYDRAULIC 91" LG	1
13	0302000	HOSE, HYDRAULIC 24" LG	1
14	0302169	FITTING O-RING CONNECTOR	1
15	0302829	FITTING, ADAPTOR	1
16	0303017	FITTING, CONNECTOR	6
17	0303170	HOSE, HYDRAULIC 75" LG	4
18	0303185	HOSE, HYDRAULIC 66" LG.	4
19	0307345	FITTING, ADAPTER 16FJ-12MJ	1
20	0307424	FITTING, TEE 16MJ-16MJ-16FJX	1
21	0307525	HOSE, HYDRUALIC 120" LG 90L	4
22	0310881	6 WAY DIVERTER VALVE-12V	2
23	9012594	FITTING, HYDRAULIC RUN TEE, 6MJx6MBx6MJ	1

Section I - PARTS

DUAL 2 - SPEED PLANETARY WINCH HYDRAULICS



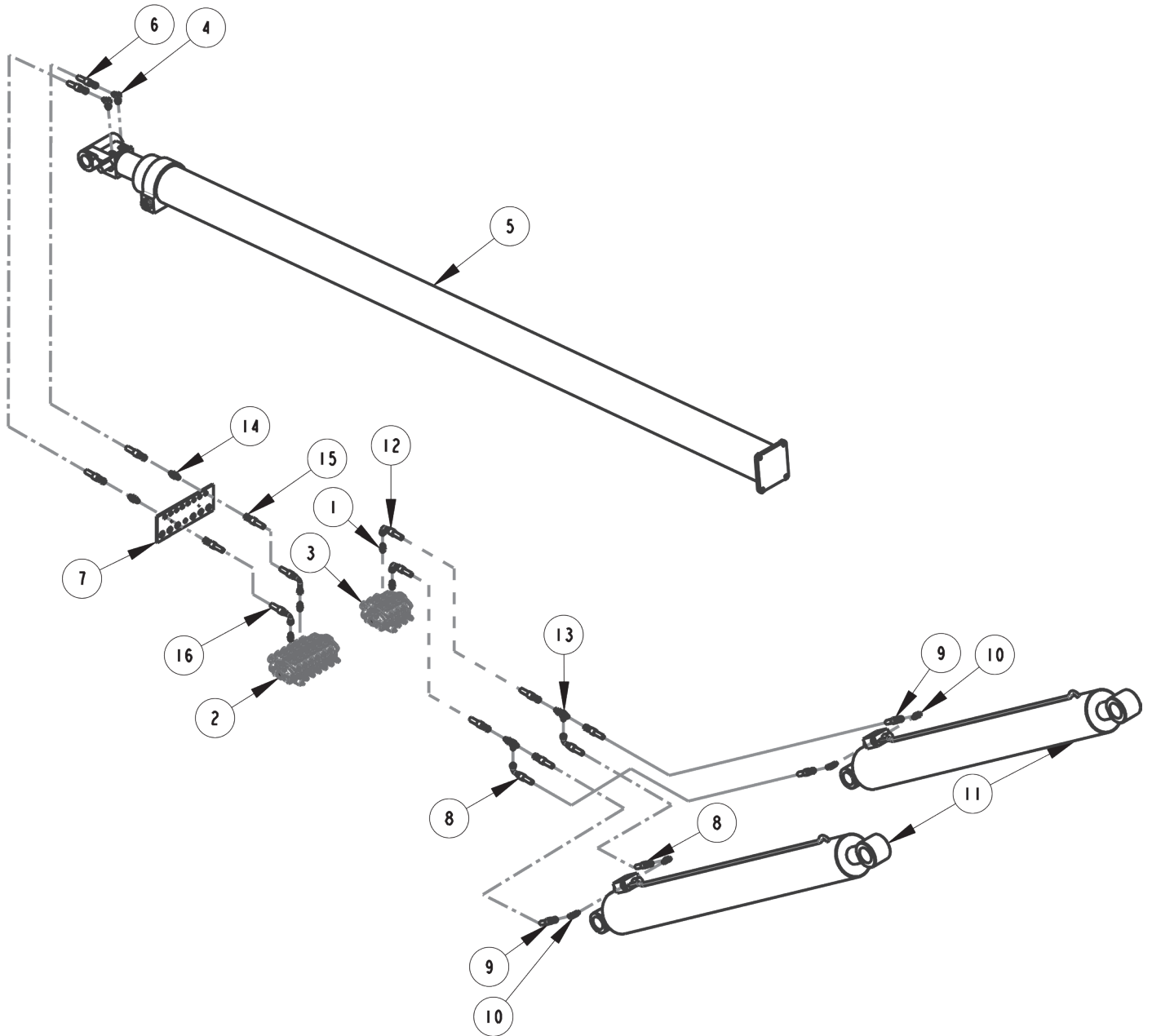
Section I - PARTS

DUAL 2 - SPEED PLANETARY WINCH HYDRAULICS

ITEM	PART NUMBER	DESCRIPTION	QTY
--	0911983	PAN - VALVE ASSEMBLY 9055 WALVOIL	--
1	0303079	ADAPTER, 10MJ-10MB	2
2	0303520	FITTING, ELL 90 DEG	2
3	0312421	VALVE - CONTROL 6-SPOOL MCCCCM	1
4	0312422	VALVE - CONTROL 3-SPOOL MCC	1
--	0912117	9055 XL SUBFRAME ASSEMBLY	--
5	0711287	PLATE, BULKHEAD	1
--	0912121	BOOM INSTALLATION 9055 3STG GE	--
6	0303350	HOSE, HYDRAULIC 89" LG	2
7	0303351	HOSE, HYDRAULIC 105" LG	1
8	0303352	HOSE, HYDRAULIC 117" LG	1
--	0912126	WINCH ASSEMBLY 9055	--
9	0303079	ADAPTER, 10MJ-10MB	4
10	0303505	WINCH-dp MODEL S50-50K (2)SPD	2
--	09005302	KIT-FRAME HYDRAULIC 9055XR	--
11	0301093	BULKHEAD UNION,3/4" JIC	6
12	0303344	HOSE, HYDRAULIC 46" LG 12FJX-10-10FJX	2
13	0303345	HOSE, HYDRAULIC 48" LG 12FJX-10-10FJX	2

Section I - PARTS

3 - STAGE BOOM HYDRAULICS



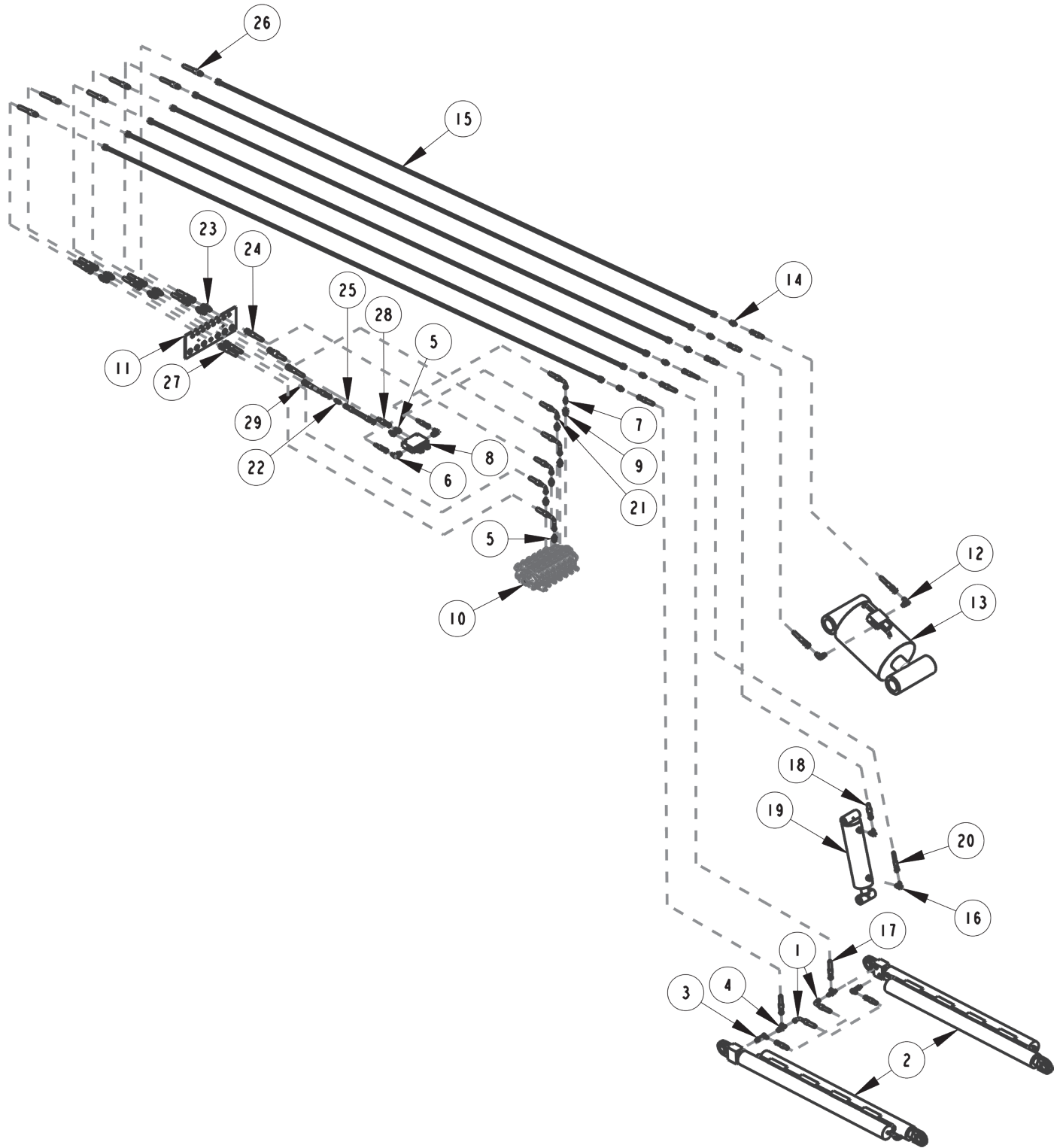
Section I - PARTS

RECOVERY BOOM HYDRAULICS

ITEM	PART NUMBER	DESCRIPTION	QTY
--	0911983	PAN - VALVE ASSEMBLY 9055 WALVOIL	--
1	0300041	FITTING, CONNECTOR 8MJ-8MB	4
2	0312421	VALVE - CONTROL 6-SPOOL MCCCCM	1
3	0312422	VALVE - CONTROL 3-SPOOL MCC	1
--	0912092	BOOM EXTEND SYSTEM 9055 2015	--
4	0301388	ELBOW, 8MJ-8MB90	2
5	0313097	CYLINDER, 9055 GEN X BOOM EXTEND	1
--	0912095	BOOM INSTALL 9055 3STG 2015	--
6	0301529	HOSE, HYDRAULIC 58 LG	2
--	0912117	9055 XL SUBFRAME ASSEMBLY	--
7	0711287	PLATE, BULKHEAD	1
--	0912124	KIT LIFT CYLINDER 9055	--
8	0300657	HOSE, HYDRAULIC 46" LG	2
9	0300659	HOSE, HYDRAULIC 45" LG	2
10	0302276	FITTING, ELB 90 DEG	4
11	0313096	CYL, 9055 GEN X BOOM LIFT	2
--	09005302	KIT-FRAME HYDRAULIC 9055XR	--
12	0300787	HOSE, HYDRAULIC 53" LG	2
13	0302574	FITTING-BULKHEAD RUN TEE	2
14	0302576	FITTING, BULKHEAD UNION	8
15	0303346	HOSE, HYDRAULIC 48" LG	1
16	0303347	HOSE, HYDRAULIC 50" LG	1

Section I - PARTS

UNDERLIFT HYDRAULICS - COACH LOWRIDER



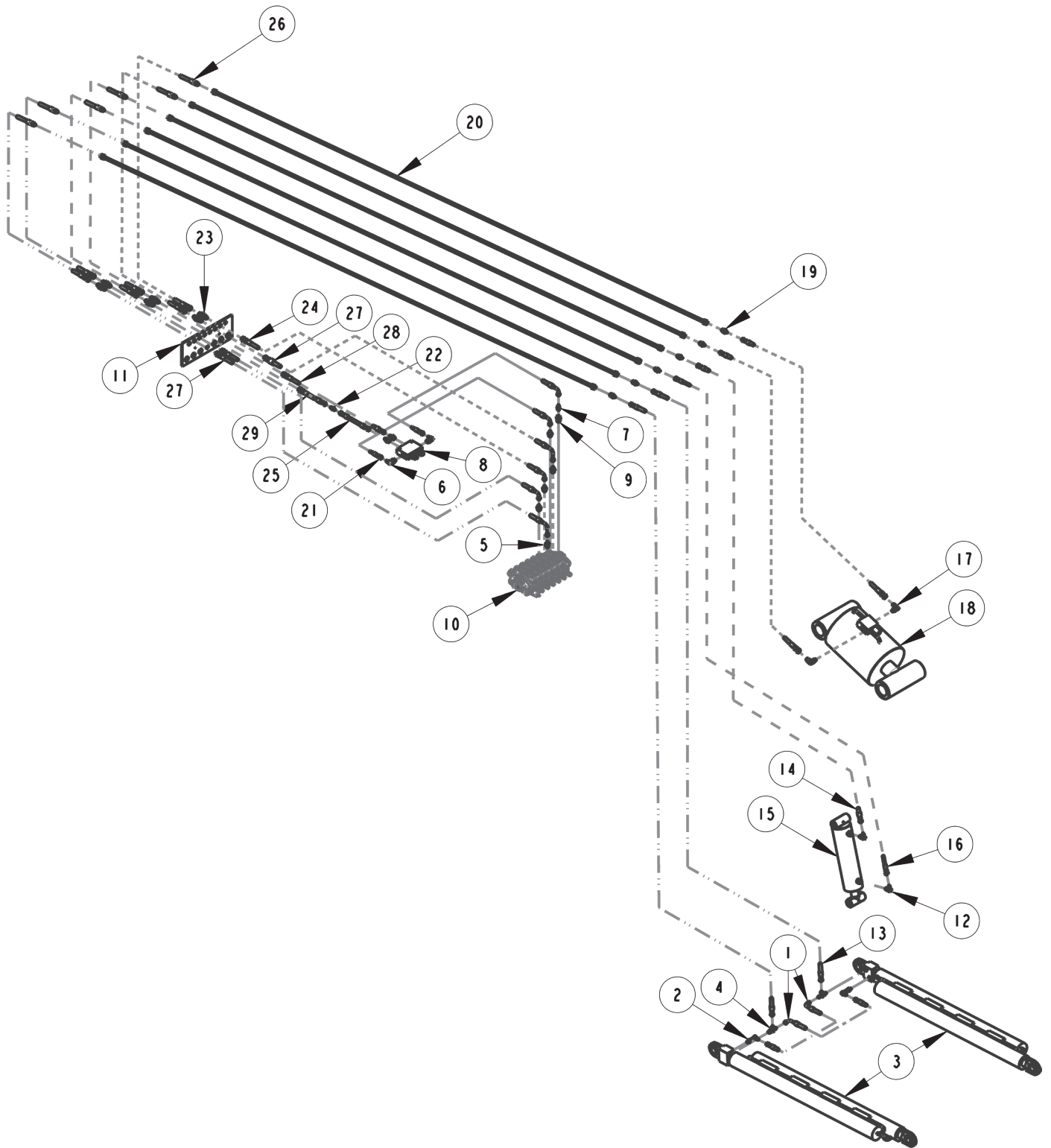
Section I - PARTS

UNDERLIFT HYDRAULICS - COACH LOWRIDER

ITEM	PART NUMBER	DESCRIPTION	QTY
--	0911338	LOWRIDER ASSY - 9055 COACH	--
1	0303968	HOSE, HYDRAULIC 10" LG	2
2	0307425	CYLINDER, HYDRAULIC - U/L BOOM EXTEND	2
3	0307460	FITTING, HYD 6MJ-6MB90LL	2
4	9012594	FITTING, HYDRAULIC RUN TEE, 6MJx6MBx6MJ	2
--	0911983	PAN - VALVE ASSEMBLY 9055 WALVOIL	--
5	0300044	FITTING, HYDRAULIC CONN. 6MJ-8MB	9
6	0301470	FITTING, 90ELB 6MJ-8MB90	2
7	0301522	FITTING, CONNECTOR 6MJ-6MB	3
8	0301730	VALVE, DOUBLE HOLDING	1
9	0303017	FITTING, CONNECTOR	3
10	0312421	VALVE - CONTROL 6-SPOOL MCCCCM	1
--	0912117	9055 XL SUBFRAME ASSEMBLY	--
11	0711287	PLATE, BULKHEAD	1
--	0912120	KIT 9055 GENX TILT CYL	--
12	0302276	FITTING, ELB 90 DEG	2
13	0313135	CYLINDER, HYDRAULIC 9055-TILT	1
--	0912121	BOOM INSTALLATION 9055 3STG GE	--
14	0302514	ADAPTER 8MJ-6MJ	6
15	0313228	HYDRAULIC TUBE	6
--	0912164	U/L AND TOWER 9055 XR COACH LOWRIDER	--
16	0301620	FITTING, HYD. 6MJ - 6MB90	2
17	0301662	HOSE, HYDRAULIC 120" 6M1T 6FJX-6FJX	2
18	0302911	HOSE, HYDRAULIC 88" LG	1
19	0306746	CYLINDER, HYDRAULIC - FOLD	1
20	0306870	HOSE, HYDRAULIC 96" LG	1
--	09005302	KIT-FRAME HYDRAULIC 9055XR	--
21	0301473	HOSE, HYDRAULIC 18" LG	2
22	0301837	INLINE ORIFICE	1
23	0302576	FITTING, BULKHEAD UNION	8
24	0302584	HOSE, HYDRAULIC 50" LG	2
25	0302805	HOSE, HYDRAULIC 10" LG	1
26	0303342	HOSE, HYDRAULIC 30" LG 8FJX-6M3K-8MJ	6
27	0303348	HOSE, HYDRAULIC 48" LG	2
28	0303562	HOSE, HYDRAULIC 37" LG	1
29	0303563	HOSE, HYDRAULIC 27" LG	1

Section I - PARTS

UNDERLIFT HYDRAULICS - STREET LOWRIDER



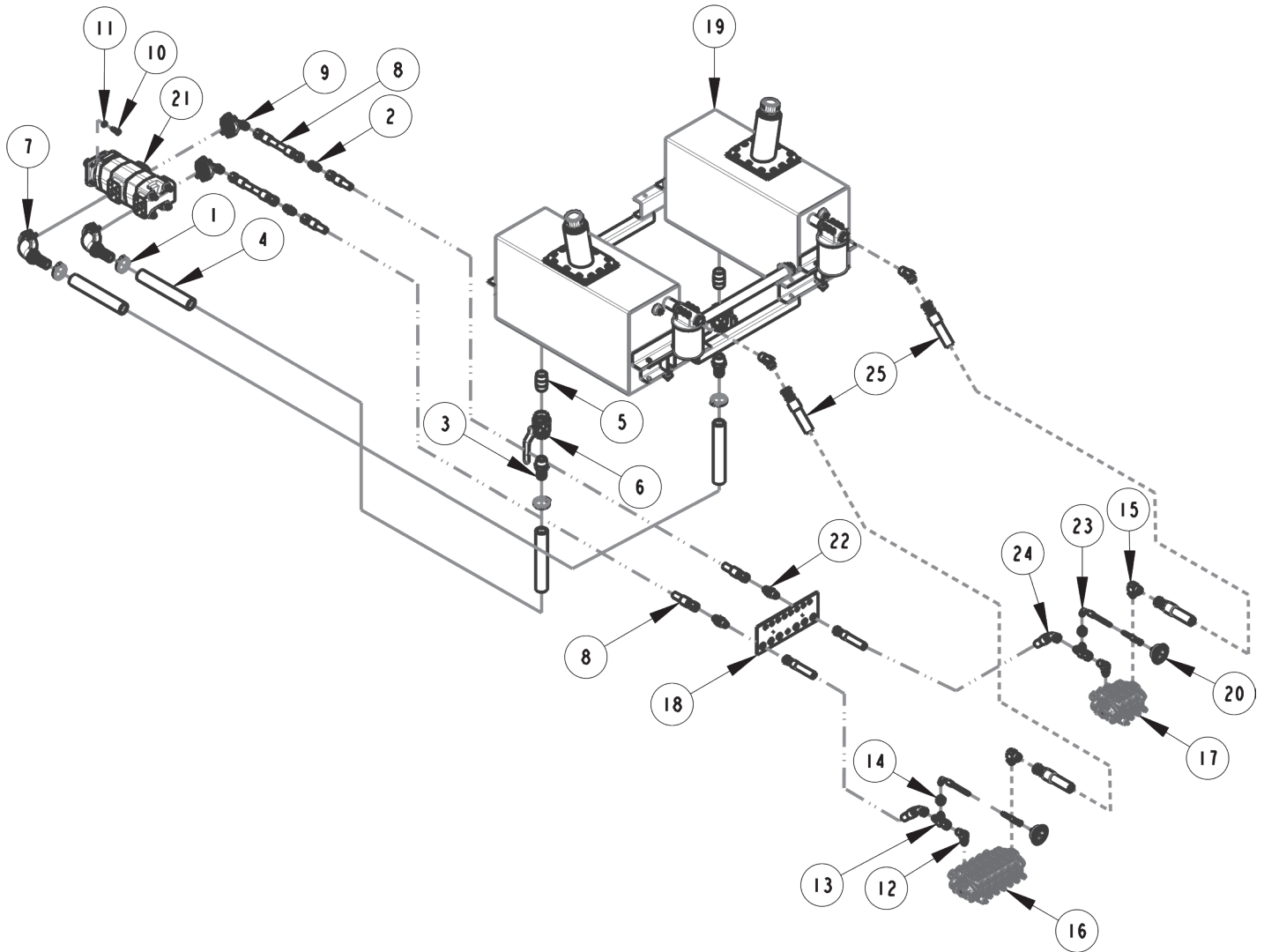
Section I - PARTS

UNDERLIFT HYDRAULICS - STREET LOWRIDER

ITEM	PART NUMBER	DESCRIPTION	QTY
--	0911412	LOWRIDER ASSY-9055 STREET 100K	--
1	0303968	HOSE, HYDRAULIC 10" LG	2
2	0307460	FITTING, HYD 6MJ-6MB90LL	2
3	0310629	CYLINDER, HYDRAULIC - U/L BOOM EXTEND	2
4	9012594	FITTING, HYDRAULIC RUN TEE, 6MJx6MBx6MJ	2
--	0911983	PAN - VALVE ASSEMBLY 9055 WALVOIL	--
5	0300044	FITTING, HYDRAULIC CONN. 6MJ-8MB	9
6	0301470	FITTING, 90ELB 6MJ-8MB90	2
7	0301522	FITTING, CONNECTOR 6MJ-6MB	3
8	0301730	VALVE, DOUBLE HOLDING	1
9	0303017	FITTING, CONNECTOR	3
10	0312421	VALVE - CONTROL 6-SPOOL MCCCCM	1
--	0912117	9055 XL SUBFRAME ASSEMBLY	--
11	0711287	PLATE, BULKHEAD	1
--	0912119	9055 GENX TOWER LESS UL	--
12	0301620	FITTING, HYD. 6MJ - 6MB90	2
13	0301662	HOSE, HYDRAULIC 120" 6M1T 6FJX-6FJX	2
14	0302911	HOSE, HYDRAULIC 88" LG	1
15	0306746	CYLINDER, HYDRAULIC - FOLD	1
16	0306870	HOSE, HYDRAULIC 96" LG	1
--	0912120	KIT 9055 GENX TILT CYL	--
17	0302276	FITTING, ELB 90 DEG	2
18	0313135	CYLINDER, HYDRAULIC 9055-TILT	1
--	0912121	BOOM INSTALLATION 9055 3STG GE	--
19	0302514	ADAPTER 8MJ-6MJ	6
20	0313228	HYDRAULIC TUBE	6
--	09005302	KIT-FRAME HYDRAULIC 9055XR	--
21	0301473	HOSE, HYDRAULIC 18" LG	2
22	0301837	INLINE ORIFICE	1
23	0302576	FITTING, BULKHEAD UNION	8
24	0302584	HOSE, HYDRAULIC 50" LG	2
25	0302805	HOSE, HYDRAULIC 10" LG	1
26	0303342	HOSE, HYDRAULIC 30" LG 8FJX-6M3K-8MJ	6
27	0303348	HOSE, HYDRAULIC 48" LG	2
28	0303562	HOSE, HYDRAULIC 37" LG	1
29	0303563	HOSE, HYDRAULIC 27" LG	1

Section I - PARTS

PUMP, VALVE & TANK HYDRAULICS



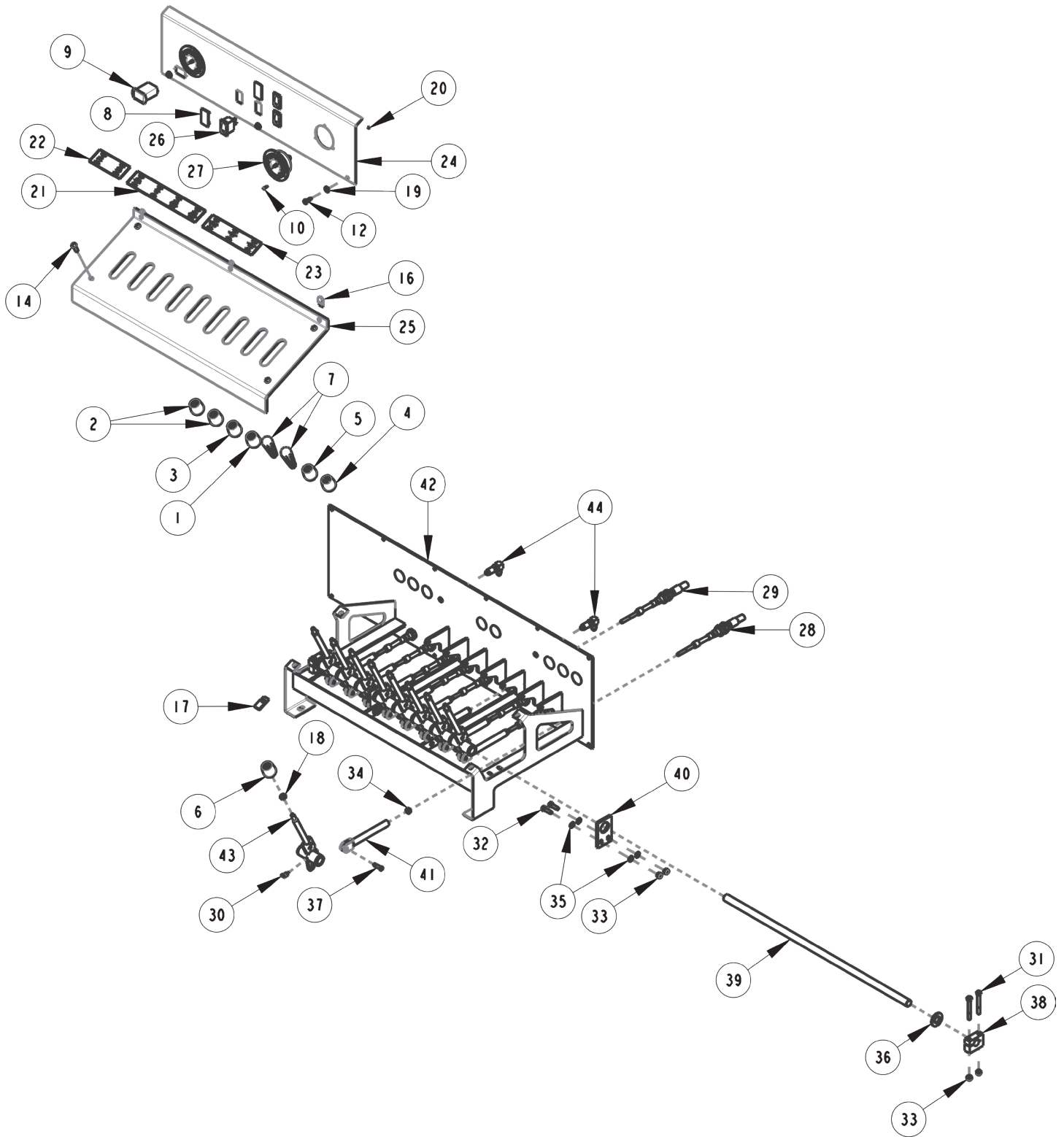
Section I - PARTS

PUMP, VALVE & TANK HYDRAULICS

ITEM	PART NUMBER	DESCRIPTION	QTY
--	0908095	KIT - PUMP 9055	--
1	0300364	CLAMP-HOSE,0.875"-2.75" 50"LBS	4
2	0300649	UNION, STRAIGHT 12MJ - 12MJ	2
3	0300666	FITTING, BARB 24C4-24MP	2
4	0300671	HOSE, SUCTION 1-1/2 ID	38FT
5	0300891	PIPE NIPPLE, 1-1/2 X 3	2
6	0302088	BALL VALVE	2
7	0302242	FITT, FLANGE 24 HOSE-24FL90	2
8	0302901	HOSE, HYDRAULIC 120" 12C12	4
9	0302932	ELBOW, 12MJ-20FL90	2
10	0400177	SCREW, 1/2-13X1-1/4 HHC GR5	4
11	0400491	LOCKWASHER, 1/2	4
--	0911983	PAN - VALVE ASSEMBLY 9055 WALVOIL	--
12	0302085	FITTING, HYDRAULIC 90 DEG ADAPTER	2
13	0302826	FITTING, TEE	2
14	0302829	FITTING, ADAPTOR	2
15	0307444	FITTING, 16MJ-10MB90	2
16	0312421	VALVE - CONTROL 6-SPOOL MCCCCM	1
17	0312422	VALVE - CONTROL 3-SPOOL MCC	1
--	0912117	9055 XL SUBFRAME ASSEMBLY	--
18	0711287	PLATE, BULKHEAD	1
19	0907802	KIT - RESERVOIR 5130-9055	1
--	09005301	SHIP KIT, 9055 XL	--
20	0302205	GAUGE, FLUSH MNTG-6000 PSI	2
21	0307119	PUMP - HYDRAULIC	1
--	09005302	KIT-FRAME HYDRAULIC 9055XR	--
22	0301093	BULKHEAD UNION,3/4" JIC	6
23	0301965	HOSE, HYDRAULIC 131" LG	2
24	0303339	HOSE, HYDRAULIC 45" LG LG	2
25	0303341	HOSE, HYDRAULIC 36" LG16FJX-16-16FJX	2

Section I - PARTS

MANUAL LH CONTROLS ASSEMBLY - NON ILLUMINATED



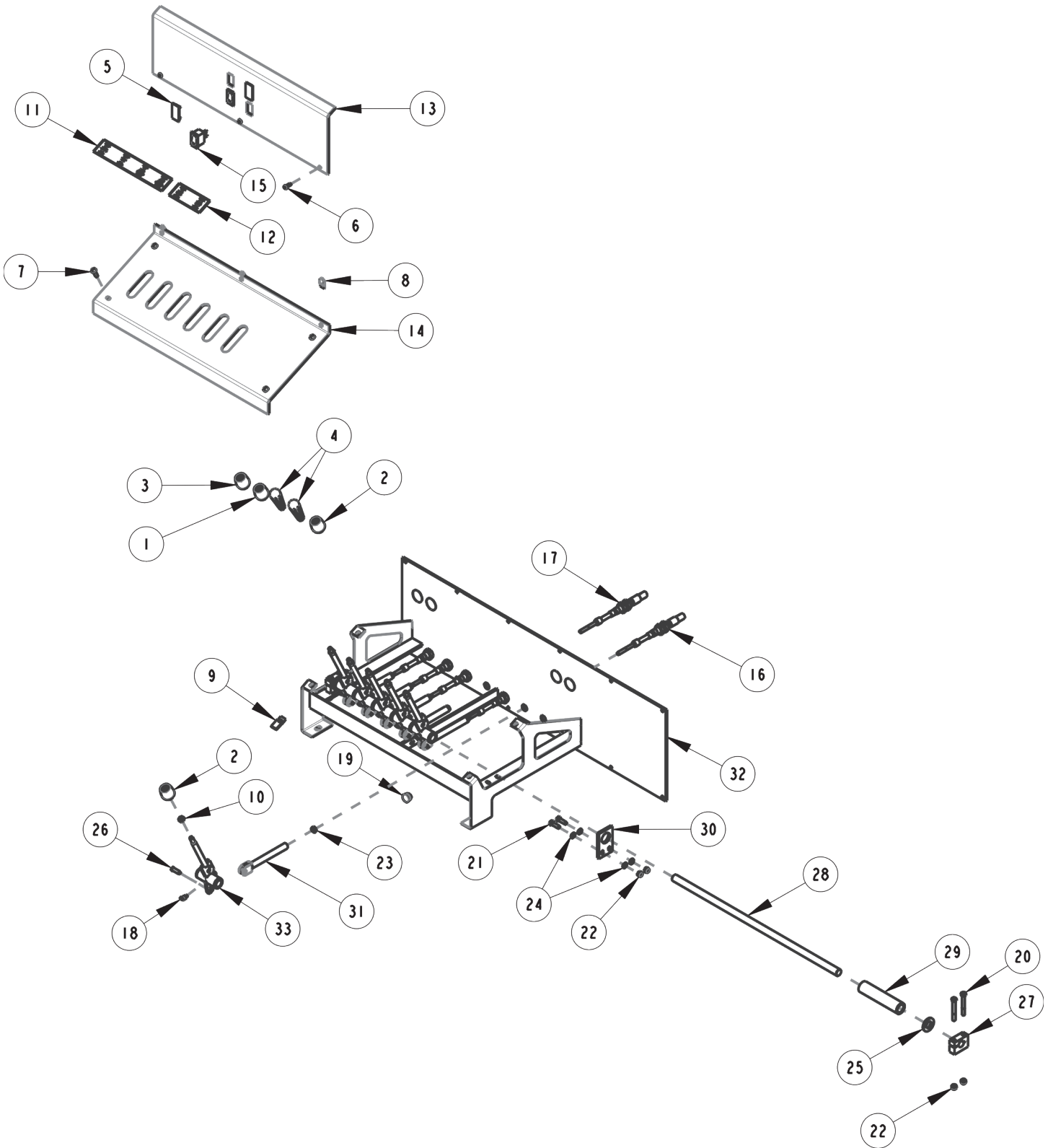
Section I - PARTS

MANUAL LH CONTROLS ASSEMBLY - NON ILLUMINATED

ITEM	PART NUMBER	DESCRIPTION	QTY
--	0907757	CONTROL KIT LEFT (KNOB,DECAL,PL)	--
1	0300835	KNOB-BOOM (UP-DOWN)	1
2	0300836	KNOB-CTRL-JACK (UP-DOWN)	2
3	0300837	KNOB-BOOM (IN-OUT)	1
4	0302856	KNOB-TILT, 3/8-16 THREAD	1
5	0302917	KNOB-WHL LIFT EXT IN-OUT	1
6	0303382	KNOB - FOLD (UP-DN)	1
7	0307604	KNOB, RED LONG - SK0700-07	2
8	0307778	PLUG, FILLER	2
9	0311355	HOBBS HOURMETER	1
10	0400005	SCREW, 6-32X1/2 PRH SS	6
11	0400062	SCREW, 1/4-20X3/4 THC	12
12	0400066	SCREW, 1/4-20X3/4 HHC GR5	3
13	0400070	SCREW, 1/4-20X1 HHC GR5	4
14	0400101	SCREW, 5/16-18X1 SRH SS	4
15	0400107	SCREW, 5/16-18X2-1/2 HHC GR5	4
16	0400369	NUT, 1/4 SPR J	3
17	0400379	NUT, 5/16-18 SPR J	4
18	0400393	NUT, 3/8-16 JAM	9
19	0400451	WASHER, 1/4	6
20	0402094	NUT, HEX 6-32 SS	6
21	0500914	DECAL - CONTROL PANEL WRECKER	1
22	0500915	DECAL - CONTROL PANEL SPADE	1
23	0500916	DECAL - CONTROL PNL UNDERLIFT	1
24	0727016	APANEL, GAUGE 9 HANDLE	1
25	0727033	APANEL, CONTROL 9 HANDLE	1
26	9024041	SWITCH-ROCKER, LIGHTED 12V	3
--	09005301	SHIP KIT, 9055 XL	--
27	0302205	GAUGE, FLUSH MNTG-6000 PSI	2
--	09005304	CONTROL ASSEMBLY (9) HANDLES 9055XR	--
28	0302256	CABLE, CONTROL 136" LG	3
29	0302449	CABLE, CONTROL 148" LG	6
30	0302726	GREASE FITTING, 1/4-28 45	9
31	0400107	SCREW, 5/16-18X2-1/2 HHC GR5	4
32	0400109	SCREW, 5/16-18X1 HHC GR5	4
33	0400382	NUT, 5/16-18 LOK	8
34	0400393	NUT, 3/8-16 JAM	9
35	0400451	WASHER, 1/4	8
36	0400512	WASHER, 3/4	2
37	0400527	PIN, 5/16X1X5/8 CLEVIS	9
38	0711235	CLAMP, SHAFT CONTROL BOX	2
39	0717198	PIN - CONTROL HANDLE (9)	1
40	0723378	PLATE-PIN SUPPORT	2
41	0810644	CLEVIS WELDMENT	9
42	08000748	CONTROL FRAME 9 HANDLE	1
43	0907441	CONTROL HANDLE ASSY - SHORT	9
44	FC41	FITTING-90DEG BULKHEAD ELB W/ NUT	2

Section I - PARTS

MANUAL RH CONTROLS ASSEMBLY - NON ILLUMINATED

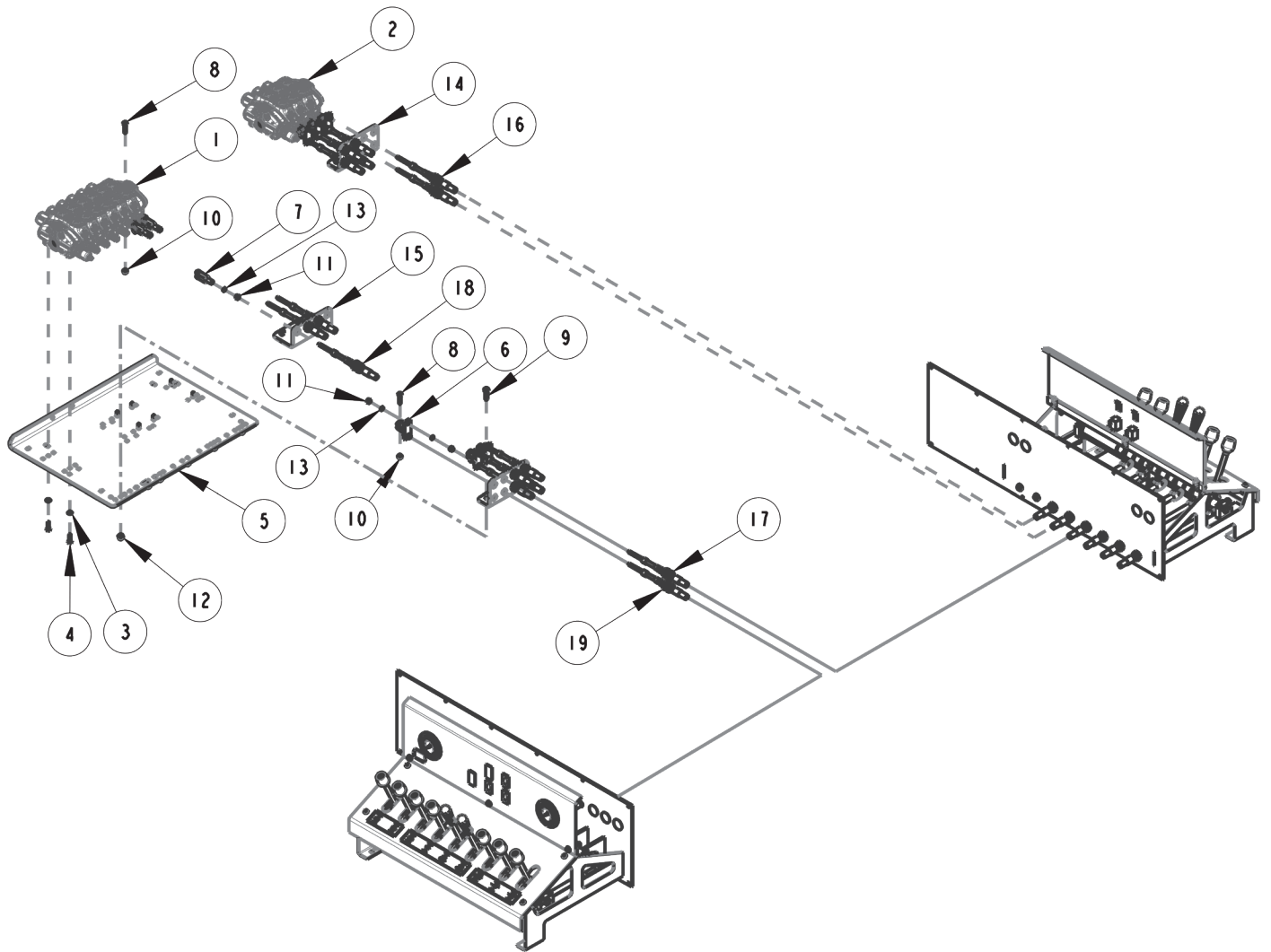


Section I - PARTS

MANUAL RH CONTROLS ASSEMBLY - NON ILLUMINATED

ITEM	PART NUMBER	DESCRIPTION	QTY
--	0907708	CONTROL KIT RT (KNOB,DECAL,PL)	--
1	0300835	KNOB-BOOM (UP-DOWN)	1
2	0300836	KNOB-CTRL-JACK (UP-DOWN)	2
3	0300837	KNOB-BOOM (IN-OUT)	1
4	0307604	KNOB, RED LONG - SK0700-07	2
5	0307778	PLUG, FILLER	2
6	0400061	SCREW, 1/4-20X3/4 SRH	3
7	0400101	SCREW, 5/16-18X1 SRH SS	4
8	0400369	NUT, 1/4 SPR J	3
9	0400379	NUT, 5/16-18 SPR J	4
10	0400393	NUT, 3/8-16 JAM	6
11	0500914	DECAL - CONTROL PANEL WRECKER	1
12	0500915	DECAL - CONTROL PANEL SPADE	1
13	0727019	APANEL, SWITCH	1
14	0727034	APANEL, CONTROL 6 HANDLE	1
15	9024041	SWITCH-ROCKER, LIGHTED 12V	2
--	09005303	RIGHT CONTROL ASSEMBLY 6 HANDLE 9055X	--
16	0302256	CABLE, CONTROL 136" LG	2
17	0302449	CABLE, CONTROL 148" LG	4
18	0302726	GREASE FITTING, 1/4-28 45	6
19	0307166	PLUG 7/8	2
20	0400107	SCREW, 5/16-18X2-1/2 HHC GR5	4
21	0400109	SCREW, 5/16-18X1 HHC GR5	2
22	0400382	NUT, 5/16-18 LOK	6
23	0400393	NUT, 3/8-16 JAM	6
24	0400451	WASHER, 1/4	6
25	0400512	WASHER, 3/4	2
26	0400527	PIN, 5/16X1X5/8 CLEVIS	6
27	0711235	CLAMP, SHAFT CONTROL BOX	2
28	0717203	PIN - CONTROL HANDLE (6)	1
29	0717206	TUBE - 1.25 OD SPACER	1
30	0723378	PLATE-PIN SUPPORT	1
31	0810644	CLEVIS WELDMENT	6
32	08000847	CONTROL FRAME 6,7,8 HANDLE	1
33	0907441	CONTROL HANDLE ASSY - SHORT	6

Section I - PARTS MANUAL CONTROLS ASSEMBLY - NON ILLUMINATED



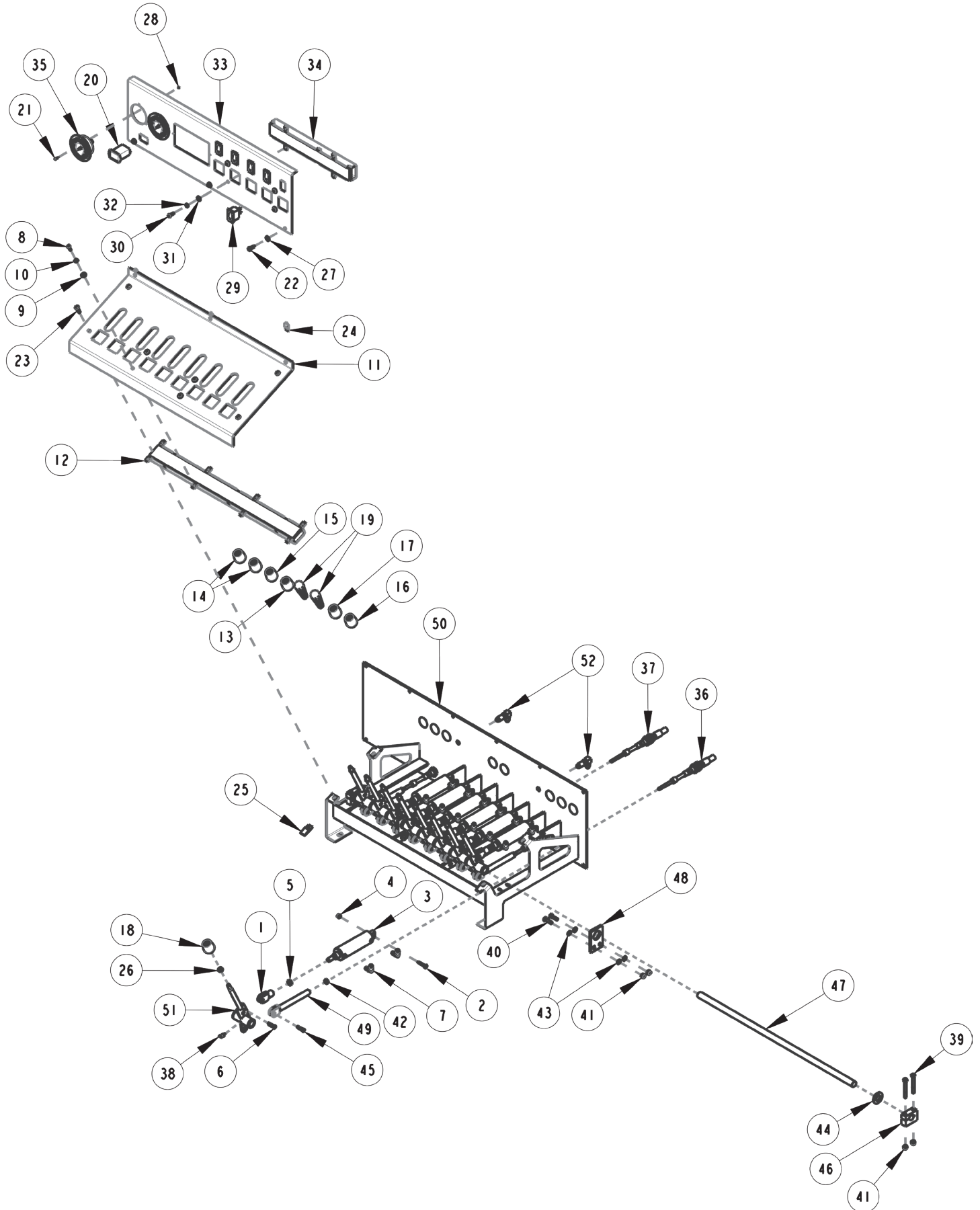
Section I - PARTS

MANUAL CONTROLS ASSEMBLY - NON ILLUMINATED

ITEM	PART NUMBER	DESCRIPTION	QTY
--	0911983	PAN - VALVE ASSEMBLY 9055 WALVOIL	--
1	0312421	VALVE - CONTROL 6-SPOOL MCCCCM	1
2	0312422	VALVE - CONTROL 3-SPOOL MCC	1
3	0400464	LOCKWASHER, 5/16	8
4	0400841	SCREW, M8-1.25X20 HHC 10.9	8
5	0726586	PLATE - VALVE MOUNTING	1
--	0911984	LINK LH/RH WALVOIL	--
6	0200054	CONNECTOR, CONTROL CABLE	6
7	0303008	ADJUSTABLE CLEVIS	3
8	0400103	SCREW, 5/16-18X1-1/4 HHC GR5	9
9	0400122	SCREW, 3/8-16X1-1/4 HHC GR5	6
10	0400382	NUT, 5/16-18 LOK	9
11	0400383	NUT, 5/16-24 HEX	12
12	0400392	NUT, 3/8-16 LOK	6
13	0400466	LOCKWASHER, 5/16 INT	27
14	0726588	ANGLE - CABLE BULKHEAD DOUBLE	2
15	0726589	ANGLE - CABLE BULKHEAD SINGLE	1
--	09005303	RIGHT CONTROL ASSEMBLY 6 HANDLE 9055X	--
16	0302256	CABLE, CONTROL 136" LG	2
17	0302449	CABLE, CONTROL 148" LG	4
--	09005304	CONTROL ASSEMBLY (9) HANDLES 9055XR	--
18	0302256	CABLE, CONTROL 136" LG	3
19	0302449	CABLE, CONTROL 148" LG	6

Section I - PARTS

MANUAL LH CONTROLS ASSEMBLY - ILLUMINATED



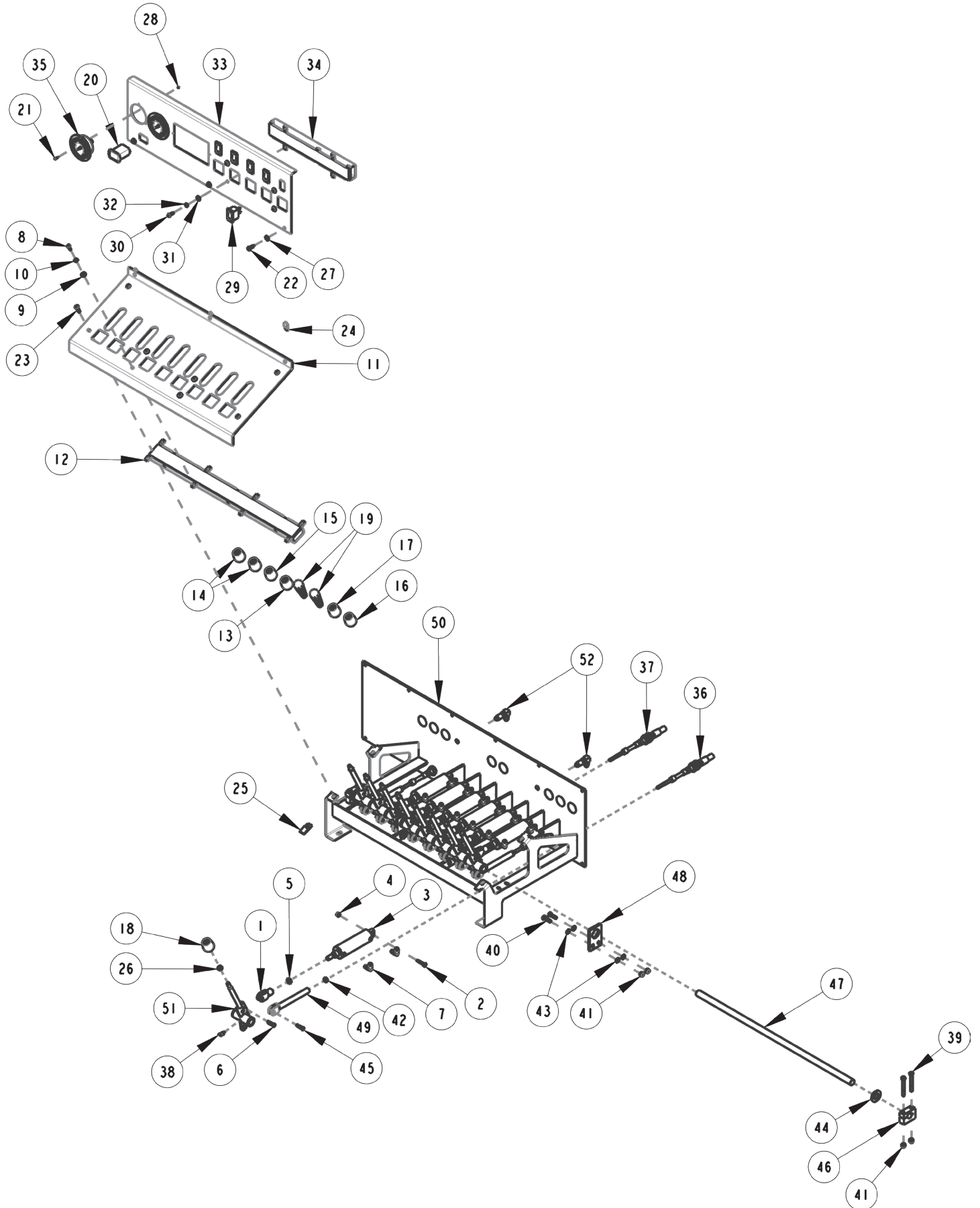
Section I - PARTS

MANUAL LH CONTROLS ASSEMBLY - ILLUMINATED

ITEM	PART NUMBER	DESCRIPTION	QTY
--	0906414	15 FUNCTION AIR ASSY	--
1	0200052	CLEVIS LINK	7
2	0400057	SCREW, 1/4-20X1-1/4 HHC	7
3	0306698	AIR CYLINDER-1.5BORE/1.71STROK	7
4	0400367	NUT, 1/4-20 LOK	7
5	0400401	NUT, 7/16-20 JAM PL	7
6	0400527	PIN, 5/16X1X5/8 CLEVIS	7
7	9010030	FITT, BRASS ELBOW 1/4T-1/8MPX	14
--	0908813	ILLUMINATED LEGEND ASSY-LT LWR	--
8	0400071	SCREW, 1/4-20X3/4 PRH SS	4
9	0400454	WASHER, 1/4 SS	4
10	0402111	LOCKWASHER, 1/4 SS	4
11	0727009	APANEL, CONTROL 9 HANDLE	1
12	0908784	ILLUMINATED LEGEND ASSY 24.75	1
--	0911136	LH KNOB KIT LESS DECAL PANEL	--
13	0300835	KNOB-BOOM (UP-DOWN)	1
14	0300836	KNOB-CTRL-JACK (UP-DOWN)	2
15	0300837	KNOB-BOOM (IN-OUT)	1
16	0302856	KNOB-TILT, 3/8-16 THREAD	1
17	0302917	KNOB-WHL LIFT EXT IN-OUT	1
18	0303382	KNOB - FOLD (UP-DN)	1
19	0307604	KNOB, RED LONG - SK0700-07	2
20	0311355	HOBBS HOURMETER	1
21	0400005	SCREW, 6-32X1/2 PRH SS	6
22	0400066	SCREW, 1/4-20X3/4 HHC GR5	3
23	0400101	SCREW, 5/16-18X1 SRH SS	4
24	0400369	NUT, 1/4 SPR J	3
25	0400379	NUT, 5/16-18 SPR J	4
26	0400393	NUT, 3/8-16 JAM	9
27	0400451	WASHER, 1/4	6
28	0402094	NUT, HEX 6-32 SS	6
29	9024041	SWITCH-ROCKER, LIGHTED 12V	3
--	0911513	ILLUM LEGEND LH UPPER INT MMO	--
30	0400071	SCREW, 1/4-20X3/4 PRH SS	4
31	0400454	WASHER, 1/4 SS	4
32	0402111	LOCKWASHER, 1/4 SS	4
33	0727017	APANEL, LH 5 SWITCH	1
34	0908797	ILLUMINATED LEGEND ASSY 13.75	1
--	09005301	SHIP KIT, 9055 XL	--
35	0302205	GAUGE, FLUSH MNTG-6000 PSI	2

Section I - PARTS

MANUAL LH CONTROLS ASSEMBLY - ILLUMINATED



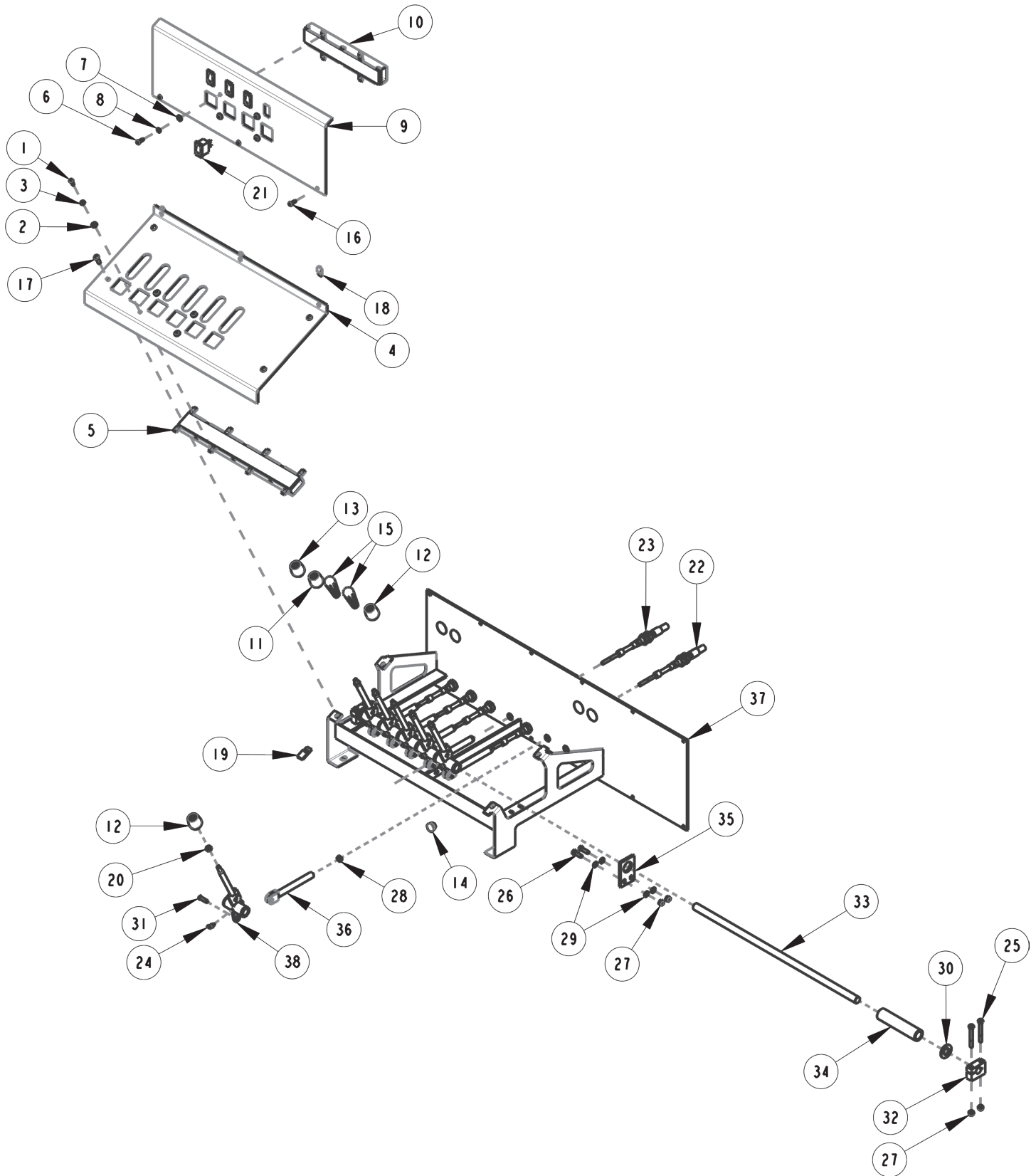
Section I - PARTS

MANUAL LH CONTROLS ASSEMBLY - ILLUMINATED

ITEM	PART NUMBER	DESCRIPTION	QTY
--	09005304	CONTROL ASSEMBLY (9) HANDLES 9055XR	--
36	0302256	CABLE, CONTROL 136" LG	3
37	0302449	CABLE, CONTROL 148" LG	6
38	0302726	GREASE FITTING, 1/4-28 45	9
39	0400107	SCREW, 5/16-18X2-1/2 HHC GR5	4
40	0400109	SCREW, 5/16-18X1 HHC GR5	4
41	0400382	NUT, 5/16-18 LOK	8
42	0400393	NUT, 3/8-16 JAM	9
43	0400451	WASHER, 1/4	8
44	0400512	WASHER, 3/4	2
45	0400527	PIN, 5/16X1X5/8 CLEVIS	9
46	0711235	CLAMP, SHAFT CONTROL BOX	2
47	0717198	PIN - CONTROL HANDLE (9)	1
48	0723378	PLATE-PIN SUPPORT	2
49	0810644	CLEVIS WELDMENT	9
50	08000748	CONTROL FRAME 9 HANDLE	1
51	0907441	CONTROL HANDLE ASSY - SHORT	9
52	FC41	FITTING-90DEG BULKHEAD ELB W/ NUT	2

Section I - PARTS

MANUAL RH CONTROLS ASSEMBLY - ILLUMINATED



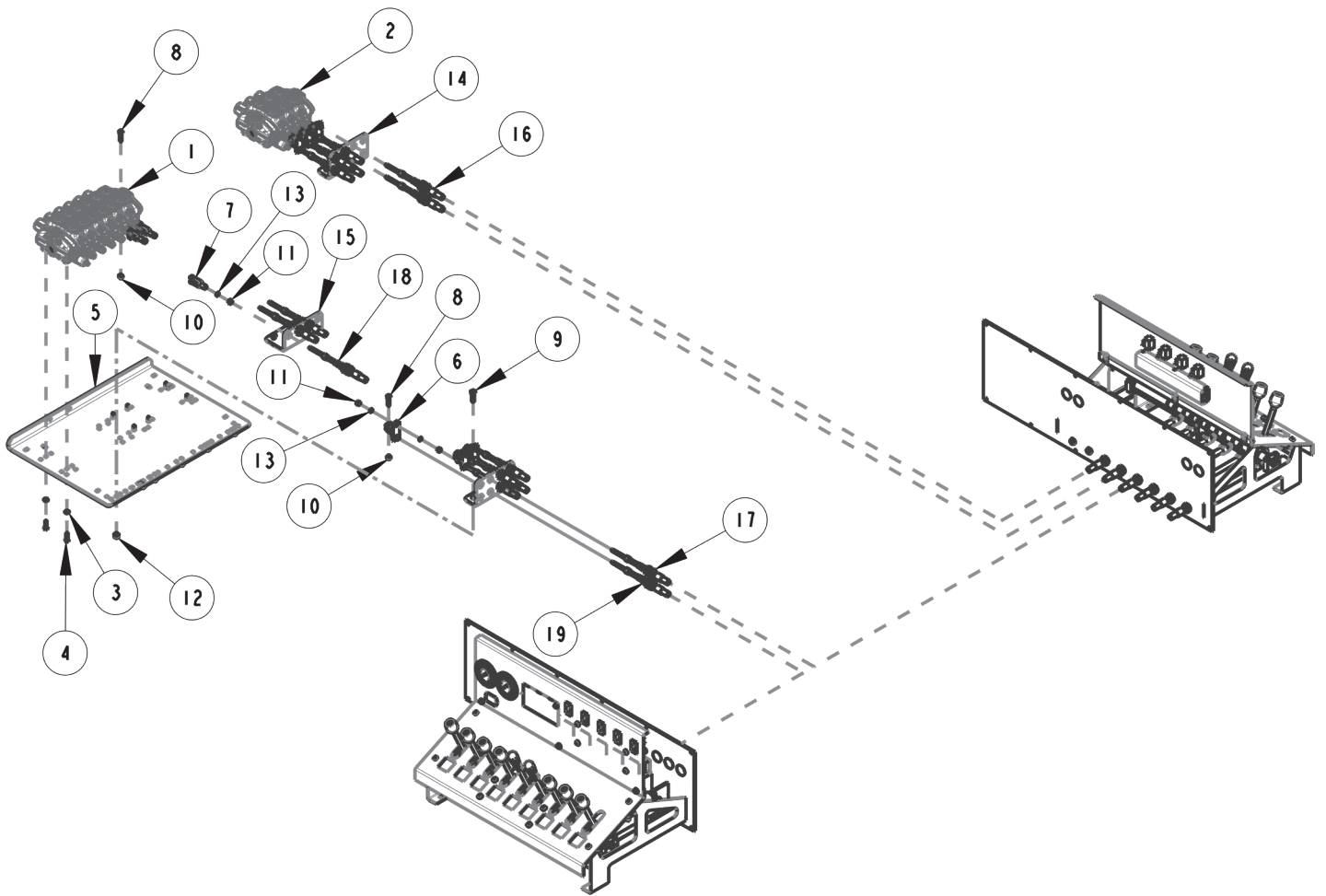
Section I - PARTS

MANUAL RH CONTROLS ASSEMBLY - ILLUMINATED

ITEM	PART NUMBER	DESCRIPTION	QTY
--	0908815	ILLUMINATED LEGEND ASSY-RT LWR	--
1	0400071	SCREW, 1/4-20X3/4 PRH SS	4
2	0400454	WASHER, 1/4 SS	4
3	0402111	LOCKWASHER, 1/4 SS	4
4	0727007	APANEL, CONTROL 6 HANDLE	1
5	0908792	ILLUMINATED LEGEND ASSY 16.5	1
--	0908816	ILLUMINATED LEGEND ASSY-RT UPP	--
6	0400071	SCREW, 1/4-20X3/4 PRH SS	4
7	0400454	WASHER, 1/4 SS	4
8	0402111	LOCKWASHER, 1/4 SS	4
9	0727013	APANEL, SWITCH 4	1
10	0908798	ILLUMINATED LEGEND ASSY 11	1
--	0911137	RH KNOB KIT LESS DECAL PANEL	--
11	0300835	KNOB-BOOM (UP-DOWN)	1
12	0300836	KNOB-CTRL-JACK (UP-DOWN)	2
13	0300837	KNOB-BOOM (IN-OUT)	1
14	0307166	PLUG 7/8	2
15	0307604	KNOB, RED LONG - SK0700-07	2
16	0400061	SCREW, 1/4-20X3/4 SRH	3
17	0400101	SCREW, 5/16-18X1 SRH SS	4
18	0400369	NUT, 1/4 SPR J	3
19	0400379	NUT, 5/16-18 SPR J	4
20	0400393	NUT, 3/8-16 JAM	4
21	9024041	SWITCH-ROCKER, LIGHTED 12V	2
--	09005303	RIGHT CONTROL ASSEMBLY 6 HANDLE 9055X	--
22	0302256	CABLE, CONTROL 136" LG	2
23	0302449	CABLE, CONTROL 148" LG	4
24	0302726	GREASE FITTING, 1/4-28 45	6
25	0400107	SCREW, 5/16-18X2-1/2 HHC GR5	4
26	0400109	SCREW, 5/16-18X1 HHC GR5	2
27	0400382	NUT, 5/16-18 LOK	6
28	0400393	NUT, 3/8-16 JAM	6
29	0400451	WASHER, 1/4	6
30	0400512	WASHER, 3/4	2
31	0400527	PIN, 5/16X1X5/8 CLEVIS	6
32	0711235	CLAMP, SHAFT CONTROL BOX	2
33	0717203	PIN - CONTROL HANDLE (6)	1
34	0717206	TUBE - 1.25 OD SPACER	1
35	0723378	PLATE-PIN SUPPORT	1
36	0810644	CLEVIS WELDMENT	6
37	08000847	CONTROL FRAME 6,7,8 HANDLE	1
38	0907441	CONTROL HANDLE ASSY - SHORT	6

Section I - PARTS

MANUAL CONTROLS ASSEMBLY - ILLUMINATED



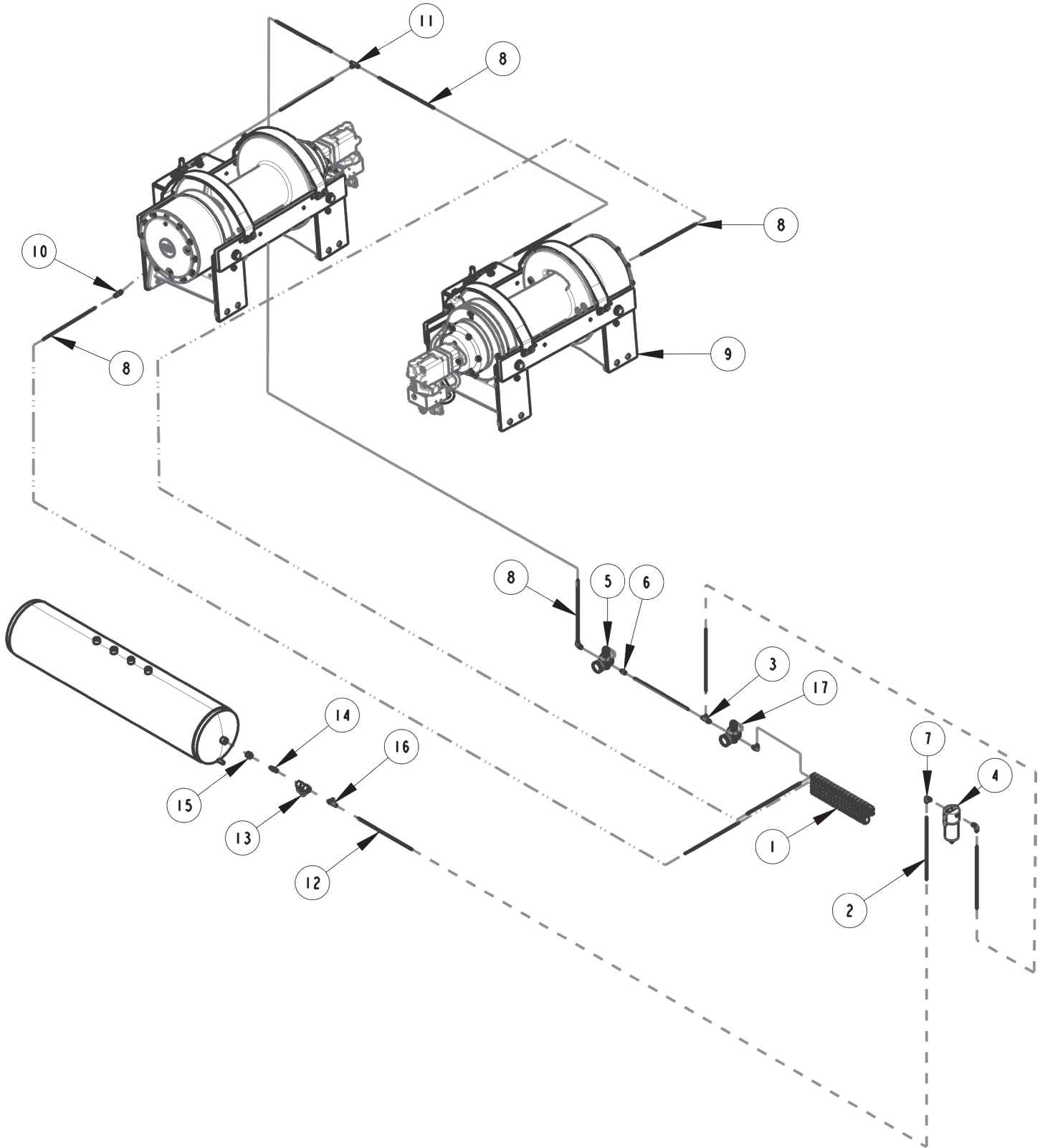
Section I - PARTS

MANUAL CONTROLS ASSEMBLY - ILLUMINATED

ITEM	PART NUMBER	DESCRIPTION	QTY
--	0911983	PAN - VALVE ASSEMBLY 9055 WALVOIL	--
1	0312421	VALVE - CONTROL 6-SPOOL MCCCCM	1
2	0312422	VALVE - CONTROL 3-SPOOL MCC	1
3	0400464	LOCKWASHER, 5/16	8
4	0400841	SCREW, M8-1.25X20 HHC 10.9	8
5	0726586	PLATE - VALVE MOUNTING	1
--	0911984	LINK LH/RH WALVOIL	--
6	0200054	CONNECTOR, CONTROL CABLE	6
7	0303008	ADJUSTABLE CLEVIS	3
8	0400103	SCREW, 5/16-18X1-1/4 HHC GR5	9
9	0400122	SCREW, 3/8-16X1-1/4 HHC GR5	6
10	0400382	NUT, 5/16-18 LOK	9
11	0400383	NUT, 5/16-24 HEX	12
12	0400392	NUT, 3/8-16 LOK	6
13	0400466	LOCKWASHER, 5/16 INT	27
14	0726588	ANGLE - CABLE BULKHEAD DOUBLE	2
15	0726589	ANGLE - CABLE BULKHEAD SINGLE	1
--	09005303	RIGHT CONTROL ASSEMBLY 6 HANDLE 9055X	--
16	0302256	CABLE, CONTROL 136" LG	2
17	0302449	CABLE, CONTROL 148" LG	4
--	09005304	CONTROL ASSEMBLY (9) HANDLES 9055XR	--
18	0302256	CABLE, CONTROL 136" LG	3
19	0302449	CABLE, CONTROL 148" LG	6

Section I - PARTS

AIR PNEUMATICS



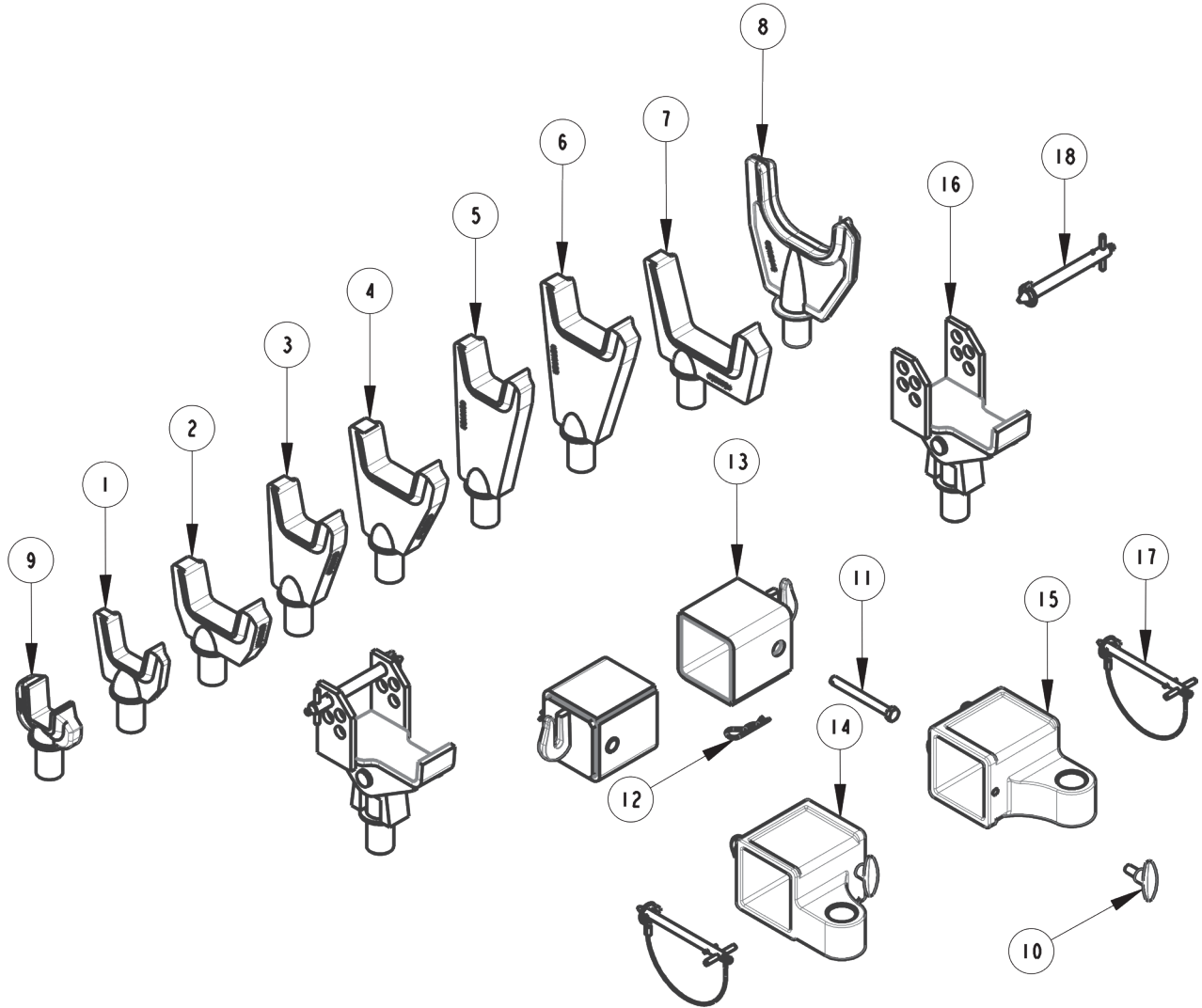
Section I - PARTS

AIR PNEUMATICS

ITEM	PART NUMBER	DESCRIPTION	QTY
--	0910535	MANIFOLD PACKAGE 16 VLV 12VDC W/O HNS	--
1	0311596	AIR BANK-16 POS 12V	1
--	0911812	WATER SEPARATOR KIT	--
2	0301577	1/4 OD PLASTIC AIRLINE, BLACK	1FT
3	0306983	FITT-MALE RUNTEE 1/4T-1/4NPT	1
4	0311755	WATER SEPARATOR-MONNIER	1
5	0911804	AIR REGULATOR-GAUGE ASSEMBLY	1
6	9010024	FITT, BRASS CONN 1/4T-1/8MP	1
7	9010520	FITTING-ELBOW 1/4T-1/4NPT	2
--	0912126	WINCH ASSEMBLY 9055	--
8	0301577	1/4 OD PLASTIC AIRLINE, BLACK	70FT
--	0302495	CONVOLUTED LOOM 1/4	70FT
9	0303505	WINCH-dp MODEL S50-50K (2)SPD	2
10	9010520	FITTING-ELBOW 1/4T-1/4NPT	2
11	9011071	FITT, BRASS TEE 1/4T-1/4T-1/4T	1
--	09005301	SHIP KIT, 9055 XL	--
12	0301577	1/4 OD PLASTIC AIRLINE, BLACK	30FT
13	0301621	PRESSURE PROTECTION VLV.	1
14	0302123	HEX NIPPLE 4MP-4MP	1
15	0302125	PIPE, BUSHING 1/2MPT X 1/4FPT	2
16	0306983	FITT-MALE RUNTEE 1/4T-1/4NPT	1
17	0911804	AIR REGULATOR-GAUGE ASSEMBLY	1

Section I - PARTS

LIFT ADAPTERS



Section I - PARTS

LIFT ADAPTERS

ITEM	PART NUMBER	DESCRIPTION	QTY
--	0906613	KIT - STANDARD FORK SDU	--
1	0200018	FORK, SHORT 3" OPENING	2
2	0200019	FORK, SHORT 4-1/2" OPENING	2
3	0200020	FORK, MEDIUM 3" OPENING	2
4	0200021	FORK, MEDIUM 4-1/2" OPENING	2
5	0200022	FORK, LONG 3" OPENING	2
6	0200023	FORK, LONG 4-1/2" OPENING	2
7	0200024	FORK, OFFSET REAR AXLE	2
8	0200042	FORK, MEDIUM ROUND AXLE	2
9	0200058	FORK-AXLE	2
10	0306564	ALUMINUM T HANDLE, 5/8 X 1-1/4	4
11	0310230	CLEVIS PIN, 5/8 X 6 ZP	2
12	0400886	PIN, 1/8" X 2.6 HAIR	2
13	0801186	ADAPTER-HDU CHAIN (LH & RH)	2
14	0803591	ADAPTER-LEFT FORK 5X5	1
15	0803592	ADAPTER-RIGHT FORK 5X5	1
16	0807023	BRACKET - PIVOT SPRING LIFT	2
17	0900900	PIN-ASSEMBLY, RETAINER	2
18	0908672	PIN-RET.-SPRING LIFT	2



CENTURY[®]

Miller Industries Towing Equipment Inc.
8503 Hilltop Drive • Ooltewah, Tennessee 37363 • (423) 238-4171
www.millerind.com