

CENTURY®

LEGENDARY LEADERSHIP



OWNER'S MANUAL

20 SERIES LCG CARRIERS

INSTALLATION, OPERATION, MAINTENANCE & PARTS

NOTE: MANUAL including **SPECIFICATIONS**, subject to change without notice.
All ratings specified are based on structural factors only,
not vehicle capacities or capabilities.

CENTURY®

Miller Industries Towing Equipment Inc.
8503 Hilltop Drive
Ooltewah, Tennessee 37363

FORM NO. 0540018

Phone (423) 238-4171 • FAX (423) 238-5371

REV. 2/12
PRICE \$25.00

Section VI - PARTS

This Section is provided by the manufacturer for the purpose of ordering any component part of the **20 Series LCG Carrier** that may be required when part replacement is necessary. Be certain to use only original equipment replacement parts for warranty purposes as well as for keeping your **20 Series LCG Carrier** in its original state and optimum operating capacities.

When ordering replacement or spare parts be sure to provide the following information to your carrier manufacturer authorized representative.

1. **Manual Number & Date of Publication**
2. **Manual Page Number**
3. **Page Title**
4. **Reference Number of Part Desired**
5. **Part Number**
6. **Part Description**
7. **Quantity of Part Desired**

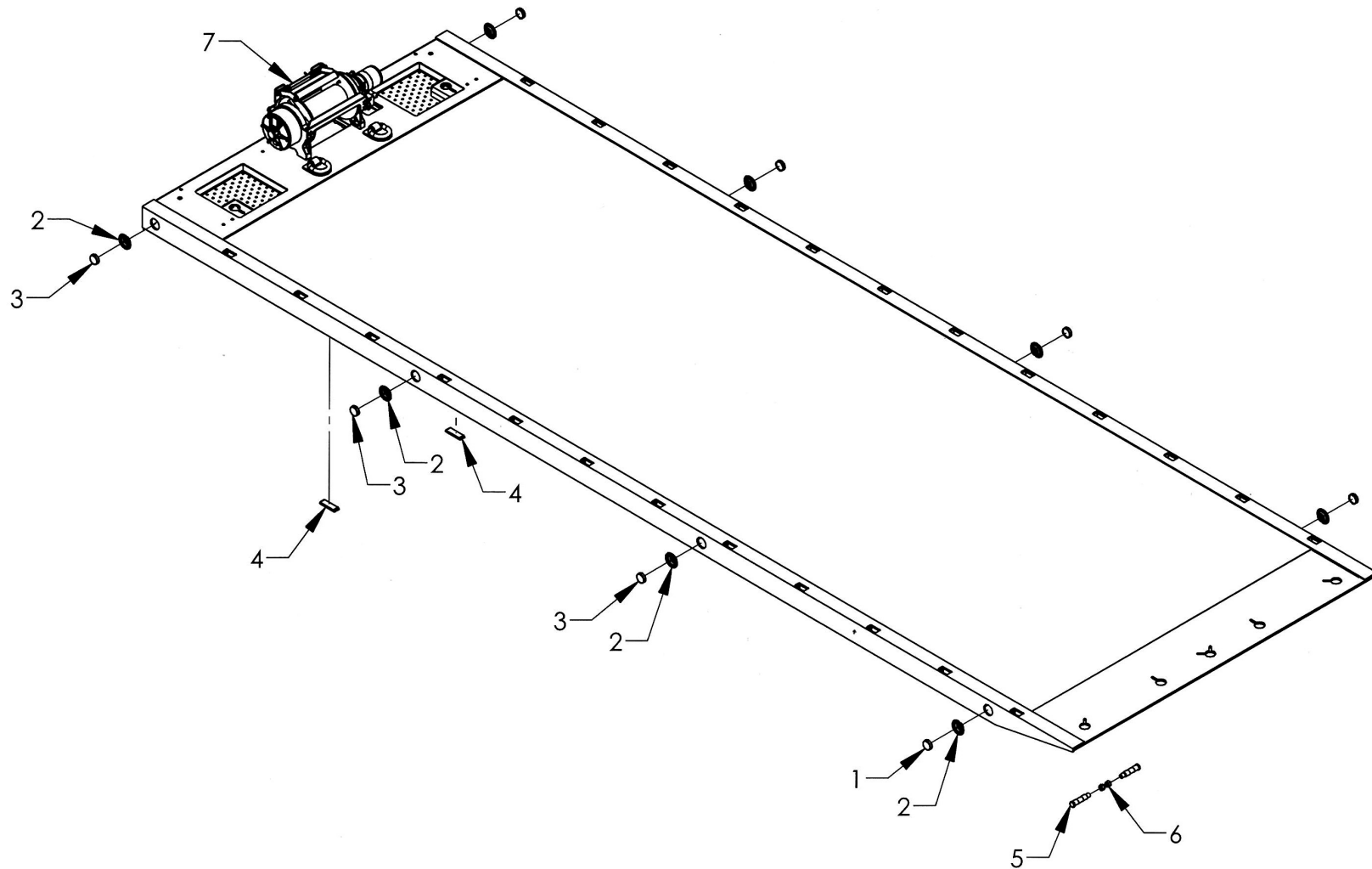
Providing this information will help ensure that the correct parts will be delivered to you in an expedient manner without delay. Should additional information be required for repair or replacement of certain components, contact **Miller Industries, Hermitage, PA, Phone: 724-981-3328, FAX 724-981-5260.**

The Manufacturer reserves the right, without notice or obligation, to improve or modify their products, which may change the specifications, models and feature availability.

Section VI - PARTS

20 SERIES LCG STEEL BODY - HIGH MOUNT - 20000 LB. WINCH

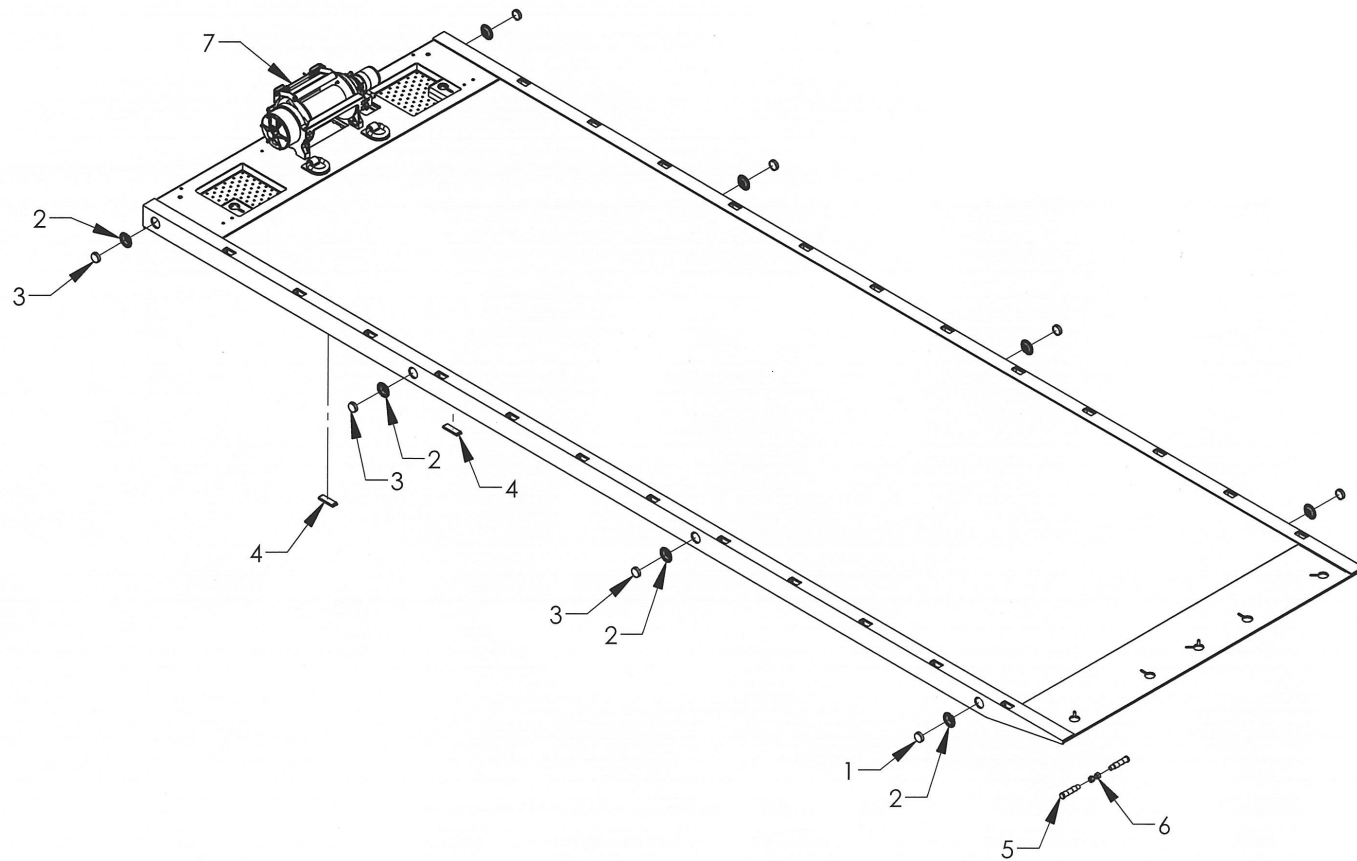
REF	PART #	DESCRIPTION	QPU
1	0311512	RED MARKER LIGHT 2-1/2 LED	2
2	0311516	MARKER LIGHT GROMMET 2-1/2	8
3	0311513	AMBER MARKER LIGHT 2-1/2 LED	6
4	33415	BEARING PAD, STEEL SILL	2
5	83611	NYLON HEX NUT 7/8-9 UNC	2
6	32116	SLIDEBACK BODY PIN	2
7	7112014	WARN 20,000 LB. PLANETARY WINCH	1



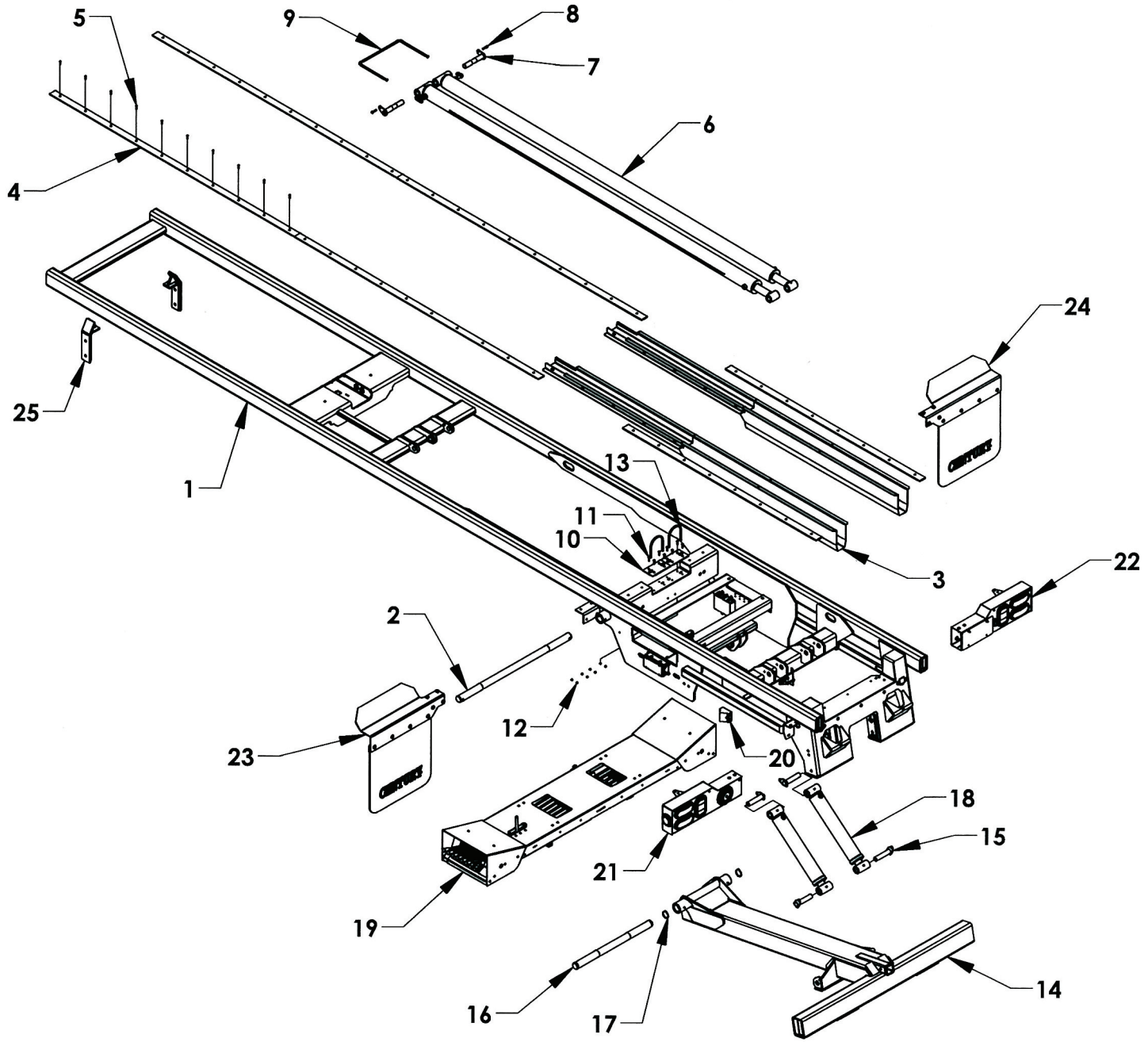
Section VI - PARTS

20 SERIES LCG STEEL BODY - 12,000 - 15,000 LB. WINCH

REF	PART #	DESCRIPTION	QPU
1	0311512	RED MARKER LIGHT 2-1/2 LED	2
2	0311516	MARKER LIGHT GROMMET 2-1/2	8
3	0311513	AMBER MARKER LIGHT 2-1/2 LED	6
4	33415	BEARING PAD, STEEL SILL	2
5	83611	NYLON HEX NUT 7/8-9 UNC	2
6	32116	SLIDEBACK BODY PIN	2
7	7111210	WARN 12,000 LB. PLANETARY WINCH	1
8	7111510	WARN 15,000 LB. PLANETARY WINCH	1



Section VI - PARTS
20 SERIES LCG SUBFRAME COMPONENTS



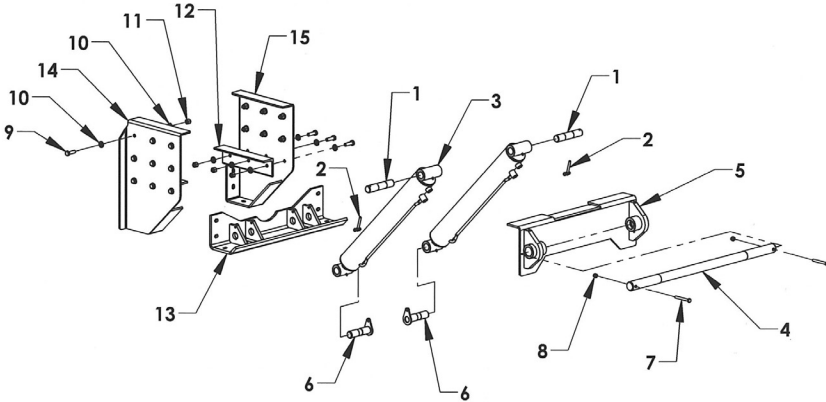
Section VI - PARTS

20 SERIES LCG SUBFRAME COMPONENTS

REF	PART #	DESCRIPTION	QPU
1	0809661-28	SERIES 20 LCG SUBFRAME	1
2	0751264	SERIES 20 LCG SUBFRAME HINGE PIN 1.975 x 43.375	1
3	0809659	SERIES 20 LCG SINGLE BAY HOSE TROUGH	2
4	0308927-96	SUBFRAME BEARING PAD 5/16 x 96	6
5	81007	BOLT - 1/4-20 x 1 COUNTERSUNK ST	10
6	72A35120	SERIES 20 LCG SLIDEBACK CYLINDER	2
7	1302720A	20 LCG SLIDEBACK CYLINDER PIN WELDMENT	2
8	-	BOLT 3/8-16 UNC x 1-1/2	2
9	72H20FT	SERIES 20 LCG SLIDEBACK CYL. FLUID PIPE ASSY.	1
10	0751223	LCG 12/16/60 SLIDEBACK CYL. SUPPORT PAD	2
11	81122	BOLT 1/4-20 UNC x 1-1/4 ALLEN COUNTERSUNK	8
12	-	NYLON LOCK NUT 1/4-20	8
13	81286	U-BOLT 3/8-16 UNC	2
14	0809673	DOCK STABILIZER	1
15	0809660	KEEPER PIN 1.25 x 5.500	4
16	143122	4K-6K UNDERLIFT HINGE PIN	.
17	86200E	2 INCH EXTERNAL SNAP-RING	2
18	72A350154	20 LCG WHEEL-LIFT LIFT CYLINDER	2
19	183126	LCG CONTROL STATION	1
20	74345A	LOCK VALVE	1
21	0809517LG2	LCG G2 TAIL LIGHT HOUSING GROUP-LEFT	1
22	0809517RG2	LCG G2 TAIL LIGHT HOUSING GROUP-RIGHT	1
23	0751024-29LG	MUDFLAP GROUP - LEFT	1
24	0751024-29RG	MUDFLAP GROUP - RIGHT	1
25	0809975	SUBFRAMME ALIGNMENT GUIDE.	2

Section VI - PARTS

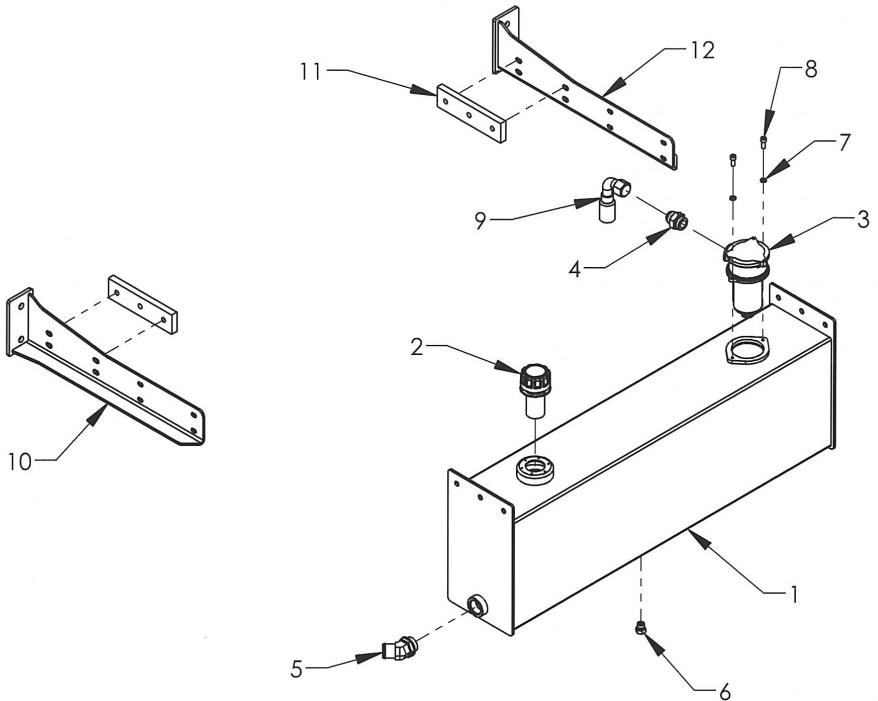
20 LCG SADDLE AND HINGE ANGLE



REF	PART #	DESCRIPTION	QPU
1	13070	PIN - TILT CYLINDER BASE	2
2	84680G	PIN-ROD END EYE KEEPER GROUP	2
3	72A400265	TILT CYLINDER 4.0 BORE x 26,5 STROKE	2
4	0751264	S20 LCG SUBFRAME HINGE PIN 1.975 x 43.375 IN.	1
5	0809642	S20 LCG TRUCK FRAME HINGE ANGLE	1
6	1A555	TILT CYLINDER ROD PIN	2
7	81455	HEX BOLT 1/2 -13 UNC x 4	2
8	83312	NYLON NUT HEX 1/2-13 UNC NYLON LOCK	2
9	81520	HEX BOLT 5/8 - 11 UNC x 2 GR5	18
10	82410	FLAT WASHER 5/8	36
11	83411	NUT 5/8-11 UNC NYLON LOCK	18
12	1A514	SADDLE MOUNTING ANGLE	2
13	1A550	LCG SADDLE CONNECTING ANGLE 20/30/40	1
14	1A510L	TILT CYLINDER SADDLE - LEFT	1
15	1A510R	TILT CYLINDER SADDLE - RIGHT	1

Section VI- PARTS

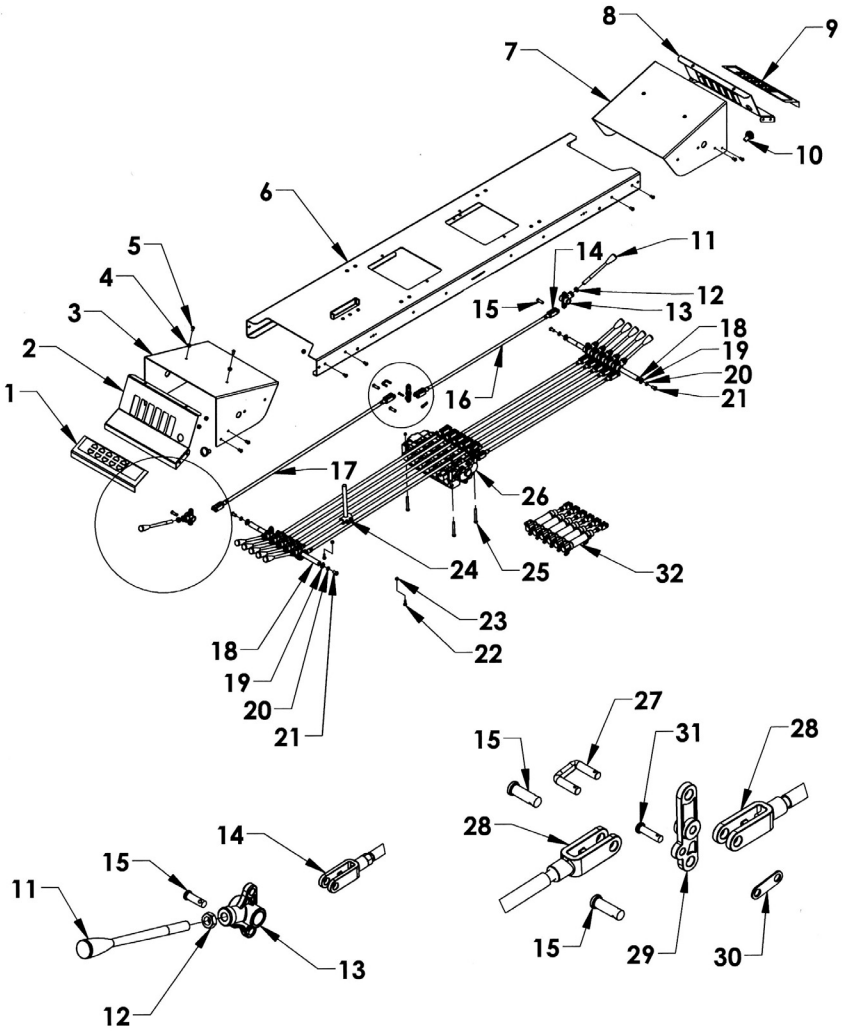
OUTBOARD 24 GALLON HYDRAULIC TANK GROUP



REF	PART #	DESCRIPTION	QPU
1	0809490	OUTBOARD 24 GALLON OIL RESERVOIR	1
2	76213G	FILLER/BREATHER CAP ASSEMBLY	1
3	76270	IN-TANK FILTER ASSEMBLY #16 SAE PORT	1
4	ADPTR202702 16x16	ADAPTOR 202702 16x16	1
5	ADPTR2061 20x24H	ADAPTOR 2061 20x24H	1
6	0403113	#8 O-RING PLUG - ADAPTOR 900598-8	1
7	82220	LOCK WASHER 3/8	2
8	81212	CAP SCREW 3/8-16 UNC x 7/8 SS	2
9	HOSEEND-16H-16JICF90	HOSE END - 16H - 16JICF90	1
10	37855R	UNV. TOOLBOX & OIL TNK MTG.BRKT-R	1
11	12826	TOOLBOX SHIM (FOR 49 IN. ALUM. BOX)	2
12	37855L	UNV. TOOLBOX & OIL TNK MTG BRKT-L	1

Section VI - PARTS

6-SPOOL CONTROL STATION



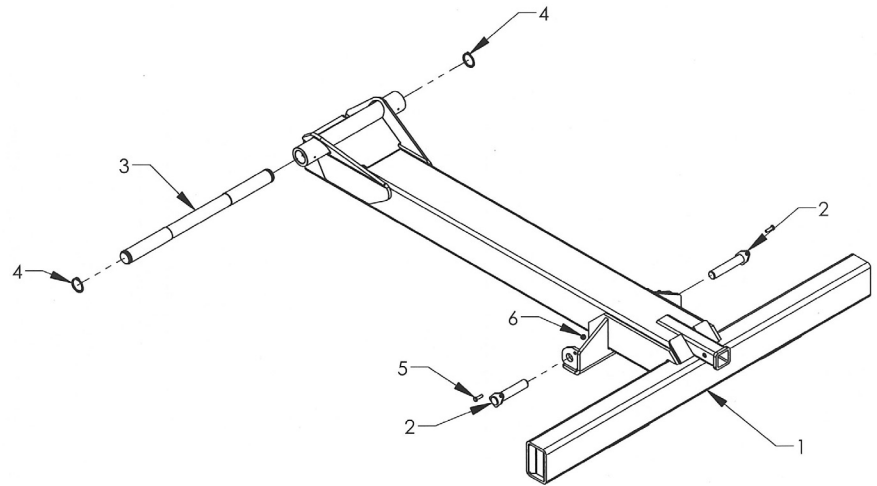
Section VI - PARTS

6-SPOOL CONTROL STATION

REF. NO.	NO. REQ'D	PART NUMBER	DESCRIPTION
1	1	18212L/18214L	5 SPOOL/6 SPOOL CONTROL PLACARD-LEFT
2	1	18126L	CONTROL PANEL - LEFT
3	1	181273L	CONTROL HOOD - LEFT
4	23		NYLON LOCK NUT 5/16-18 UNC
5	16		BOLT, BUTTON HEAD 5/16-18 UNC x 5/8
6	1	181286W	CONTROL BOX ARM WELDMENT - 79.5 IN.
7	1	181273R	CONTROL HOOD - RIGHT
8	1	18126R	CONTROL PANEL - RIGHT
9	1	18212R/18214R	5 SPOOL/6 SPOOL CONTROL PLACARD - RIGHT
10	1	0320031	CONTROL LIGHT - 2 WIRE
11	2	0320048-GR	GREEN CONTROL HANDLE
	4	0320048-BL	BLUE CONTROL HANDLE
	2	0320048-RD	RED CONTROL HANDLE
	4	0320048-GY	GREY CONTROL HANDLE
12	12		JAM NUT 1/2-13 UNC ZINC PLATE
13	12	7A1155	CONTROL HANDLE PIVOT BASE
14	12	84530	CLEVIS - RIGHT HAND THREAD
15	24	84620	CLEVIS PIN, 3/8 x 1-1/8
16	6	7A528W	CONTROL ROD 28-1/2
17	6	7A538W	CONTROL ROD 37-3/4
18	2	7A5753-17	CONTROL HANDLE CROSS ROD 3/4 x 17
19	4	86075E	SNAP RING 3/4 EXTERNAL
20	4		LOCK WASHER 3/8
21	4		BOLT, BUTTON HEAD 3/8-16 UNC x 3/4
22	4		BOLT, HHCS 1/4-20 UNC x 3/4
23	4		NYLON LOCK NUT 1/4-20 UNC
24	1	0809904	ANTI-TILT CONTROL ROD WELDMENT
25	3		BOLT, HHCS 5/16 -18 UNC x 2-3/4
26	1	74116	VALVE BODY GRESEN 6 SPOOL
27	6	7A010LINK	CLEVIS LINK
28	12	84540	CLEVIS - LEFT HAND THREAD
29	6	7A121	BELL CRANK
30	6	7A010LINKPLATE	CLEVIS LINK PLATE
31	6	84610	CLEVIS PIN, 1/4 x 15/16
32	6	PC32850	AIR CYLINDER - 2 IN. STROKE

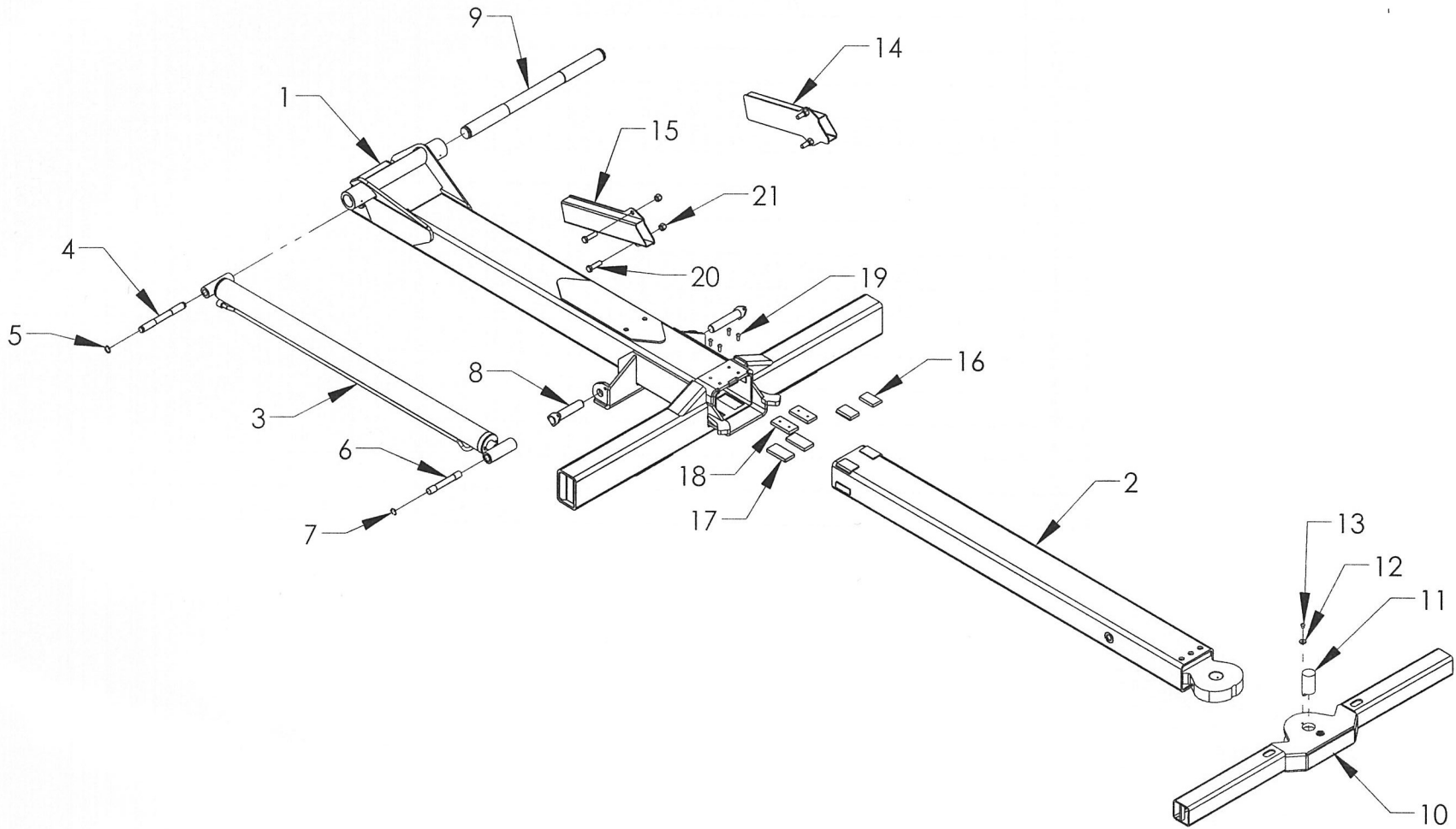
Section VI - PARTS (cont'd)

DOCK STABILIZER



REF	PART #	DESCRIPTION	QPU
1	0809673	DOCK STABILIZER OUTER TUBE WELDMT	1
2	0809665	KEEPER IN 1-1/4 x 6	2
3	143122	4000/6000 LB. UNDERLIFT HINGE PIN	1
4	86200E	2 INCH EXTERNAL SNAP-RING	2
5	81232	BOLT 3/8-16 UNC X 1-1/4	2
6	83211	NUT 3/8-16 UNC NYLON LOCK	2

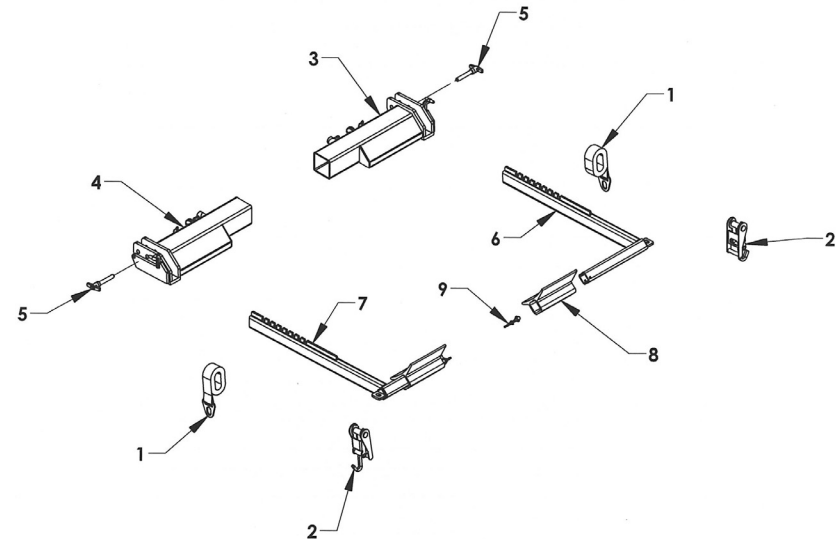
Section VI - PARTS
20 LCG 4000 LB. WHEEL LIFT GROUP



Section VI - PARTS
20 LCG 4000LB. WHEEL LIFT GROUP

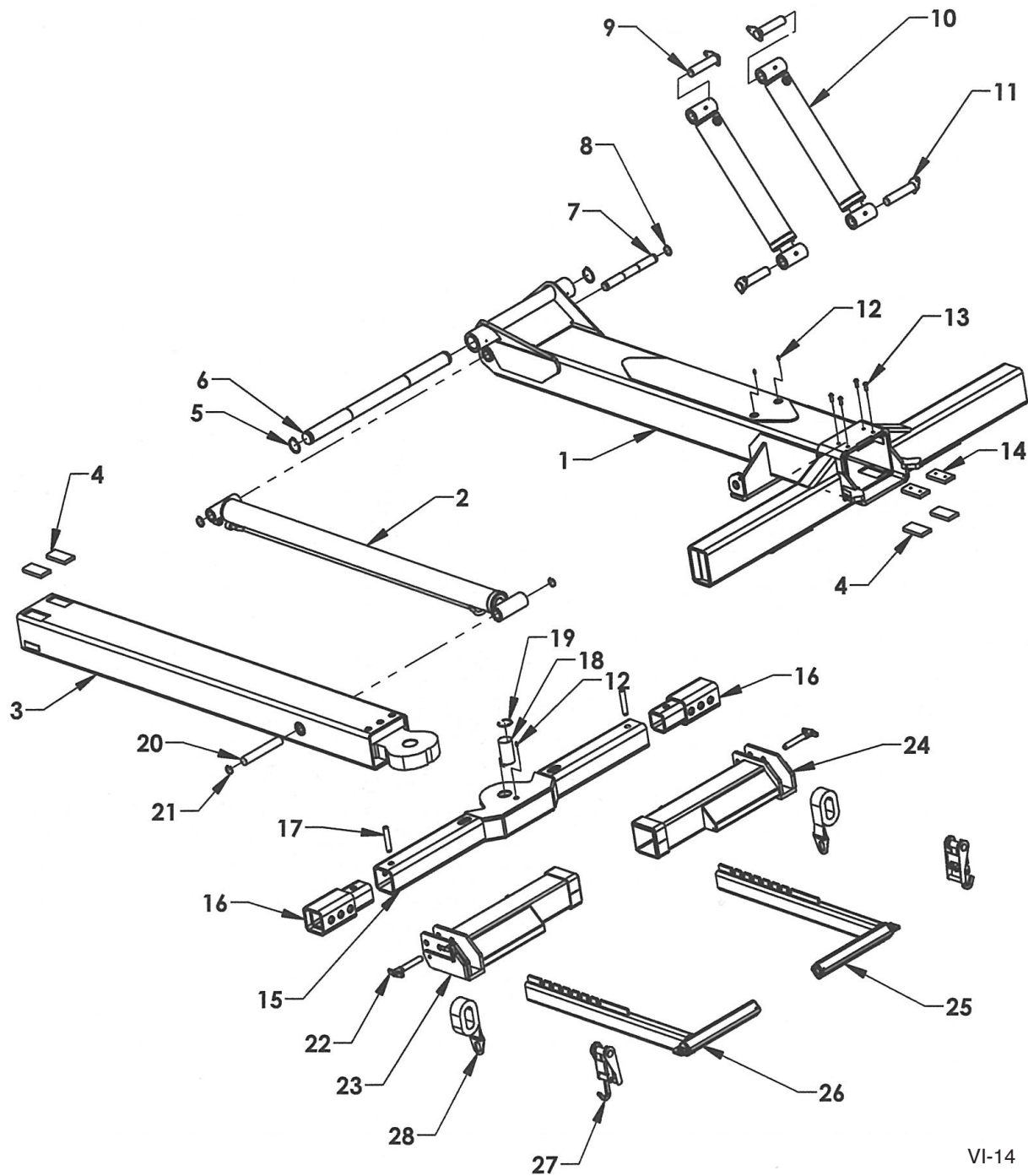
REF	PART #	DESCRIPTION	QPU
1	10260405	LCG 4000 LB. T-BOOM WELDMENT	1
2	10244	CARRIER WHEEL LIFT INNER BOOM	1
3	72127	WHEEL LIFT EXTENSION CYL. SERIES 10/14/20	1
4	729352	CARRIER WHEEL LIFT CYLINDER BASE PIN	1
5	86100E	SNAP RING 1 INCH EXTERNAL	2
6	72940	CARRIER WHEEL LIFT CYLINDER ROD PIN	1
7	86100I	SNAP RING 1 INCH INTERNAL	2
8	0809665	KEEPER PIN 1-1/4 x 6-1.8	2
9	143122	4000/6000 LB. UNDERLIFT BOOM HINGE PIN	1
10	65515	W/L CROSSBAR 4000 LB. S10/14/16/20 & 4 SERIES WRKR	1
11	65435	CROSSBAR PIVOT PIN	1
12	82212	FLAT WASHER 3/8	1
13	812A5	BOLT-BUTTON HEAD 3/8-16 UNC x 1/2	1
14	160533R	4000 LB. L-ARM STABILIZER STORAGE TUBE-RIGHT	1
15	160533L	4000 LB. L-ARM STABILIZER STORAGE TUBE-LEFT	1
16	65613	NYLATRON WEAR PAD 1/2 x 2 x 3	2
17	63595	NYLATRON WEAR PAD 1/2 x 2 x 4	2
18	63595H	NYLATRON WEAR PAD 1/2 x 2 x 4	2
19	812A9	BOLT, BUTTON HEAD 3/8-16 UNC x 1	4
20	81522	BOLT, 5/11 UNC x 2-1/4	4
21	83411	NUT, NYLON HEX 5/8-11 UNC	4

Section VI - PARTS
WHEEL LIFT/RELEASABLE L-ARMS



REF	PART #	DESCRIPTION	QPU
1	65285	WHEEL STRAP	2
2	65280A	RATCHET	2
3	65267R	WHEEL GRID-RIGHT	1
4	65267L	WHEEL GRID-LEFT	1
5	84921	T-PIN WITH LANYARD	2
6	65250R	4000 LB. L-ARM RIGHT	1
7	65250L	4000 LB. L-ARM LEFT	1
8	65245	REMOVABLE PAN	2
9	84911	5/16 SAFETY SNAP PIN	2

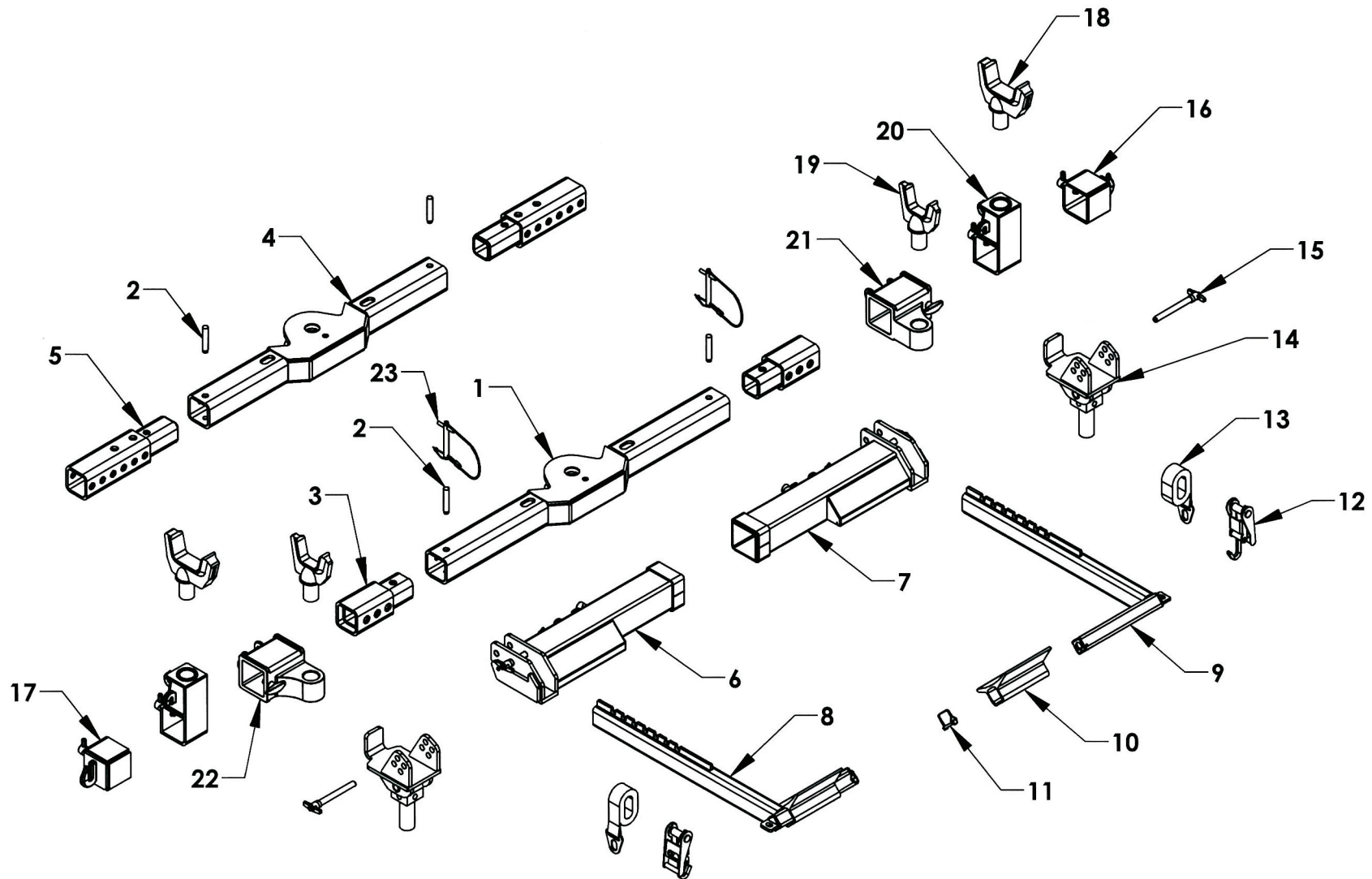
Section VI - PARTS
20 LCG 6000 LB. WHEEL LIFT GROUP



Section VI - PARTS
20 LCG 6000 LB.
WHEEL LIFT GROUP

REF	PART #	DESCRIPTION	QPU
1	10260605	LCG 6000 LB. T-BOOM WELDMENT	1
2	7212730	CYLINDER-STABILIZER/WHEEL LIFT EXTENSION	1
3	10262	LCG 6000 LB. W/L INNER BOOM TUBE WELDMENT	1
4	63595	WEAR PAD NYLATRON NSM 1/2 x 2 X 4	4
5	86200E	SNAP RING - 2 IN. EXTERNAL	2
6	143122	4K/6K UNDERLIFT HINGE PIN	1
7	14313	PIN - W/L EXTENSION CYLINDER BASE END	1
8	86125E	SNAP RING - 1-1/4 IN. EXTERNAL	2
9	0806094	KEEPER PIN WELDMENT - 1.25 x 5.50	2
10	72A350154	W/L LIFT CYLINDER - LCG 20	2
11	0809660	KEEPER PIN WELDMENT - 1.25 x 5.875	4
12	7B130	GREASE FITTING - 1/4-28	3
13	-	BOLT, BHCS - 3/8-16 UNC x 1	4
14	63595H	WEAR PAD NYLATRON NSM 1/2 x 2 x 4 WITH HOLES	2
15	685102	CROSSBAR WELDMENT	1
16	68530	CROSSBAR EXTENSION	2
17	66245	CROSSBAR EXTENSION PIN	2
18	66430	CROSSBAR PIVOT PIN	1
19	86200I	SNAP RING - 2 IN. INTERNAL	1
20	14314	PIN - W/L EXTENSION CYLINDER ROD END	1
21	86125I	SNAP RING - 1/4 IN. INTERNAL	2
22	84922	T-PIN - 3/4 x 3-1/2 IN. QUICKPIN	2
23	66267L	WHEEL GRID ASSEMBLY - LEFT	1
24	66267R	WHEEL GRID ASSEMBLY - RIGHT	1
25	66250R	WHEEL RETAINER - 6000 LB - RIGHT	1
26	66250L	WHEEL RETAINER - 6000 LB - LEFT	1
27	65280A	W/L RATCHET AND HOOK ASSEMBLY	2
28	65285	WHEEL STRAP WITH D-RING - YELLOW	2

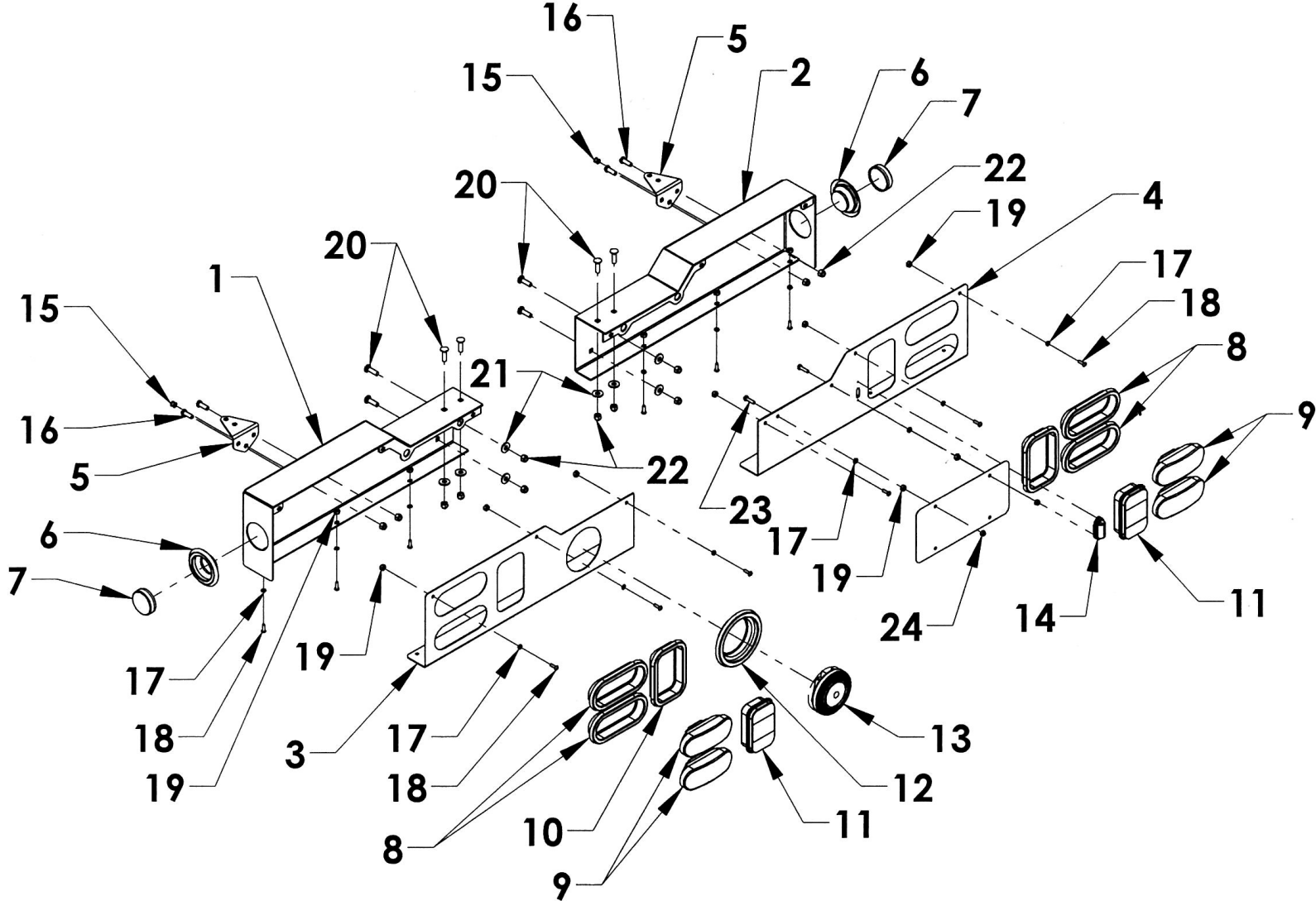
Section VI - PARTS
6K/10K UNDERLIFT ATTACHMENTS



Section VI - PARTS
6K/10K UNDERLIFT ATTACHMENTS

REF	PART #	DESCRIPTION	QPY
1	685102	CROSSBAR 4 x 4 x 53.25	1
2	68545	CROSSBAR EXTENSION PIN	2
3	68530	CROSSBAR EXTENSION	2
4	616090	CROSSBAR 4 x 4 x 44.625 (OPT)	1
5	6460950	CROSSBAR EXTENSION (OPT)	2
6	68260L	WHEEL GRID-LEFT	1
7	68260R	WHEEL GRID - RIGHT	1
8	66250L	6000 LB. L-ARM - LEFT	1
9	66250R	6000 LB. L-ARM - RIGHT	1
10	65245	REMOVABLE PAN	2
11	84911	5/16 SAFETY SNAP PIN	2
12	65280A	WHEEL LIFT RATCHET & HOOK ASSEMBLY	2
13	65285	WHEEL STRAP WITH D-RING	2
14	66320	SPRING SHACKLE ADAPTOR (OPT)	2
15	84923	T-PIN .75 x 6	2
16	66A210R	CROSSBAR END HOOK - RIGHT (OPT)	1
17	66A210L	CROSSBAR END HOOK - LEFT (OPT)	1
18	663545 (0200019)	FRAME FORK SHORT 4-1/2 IN. CAST (OPT)	2
19	663530 (0200018)	FRAME FORK - 3 INCH CAST (OPT)	2
20	66330	ELEVATED FORK HOLDER (OPT)	2
21	66285R (0803580)	OFFSET FORK HOLDER - CAST - RIGHT (OPT)	1
22	66285L (0803581)	OFFSET FORK HOLDER - CAST - LEFT (OPT)	1
23	0902378	RETAINER PIN (USE W/OFFSET CAST FORKS HLDRS)	1

Section VI - PARTS
TAIL LIGHT COMPONENTS



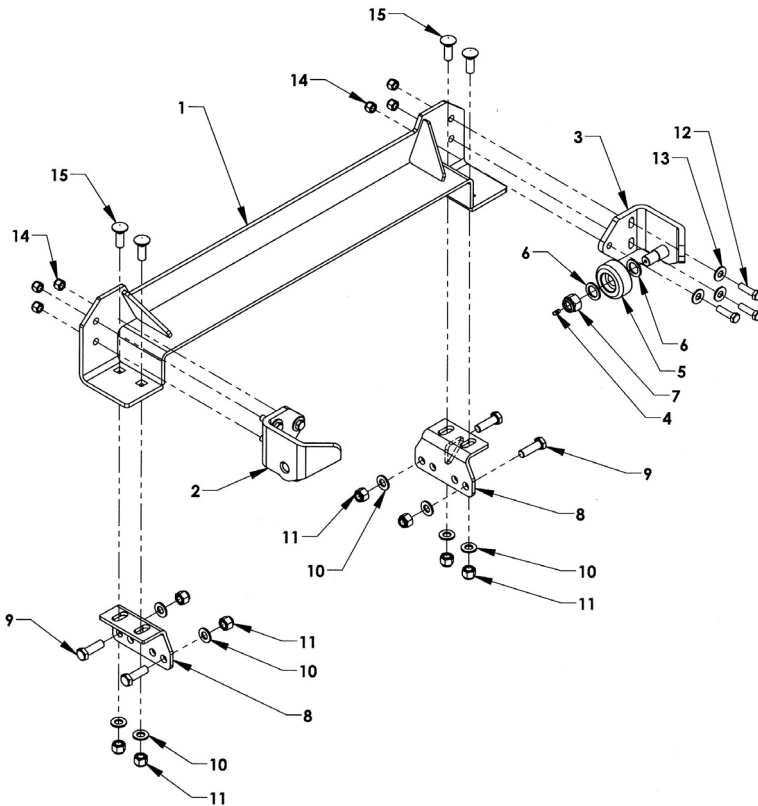
Section VI - PARTS (cont'd)

20 LCG TAIL LIGHT COMPONENTS

REF. NO.	NO. REQ'D	PART NUMBER	DESCRIPTION
1	1	0809517L	TAIL LIGHT HOUSING WELDMENT - LEFT
2	2	0809517R	TAIL LIGHT HOUSING WELDMENT - RIGHT
3	1	0751892L	12/16/20 LCG TAIL LIGHT BEZEL - LEFT G2
4	1	0751892R	12/16/20 LCG TAIL LIGHT BEZEL - RIGHT G2
5	2	0750672	WORK LIGHT MOUNTING BRACKET
6	2	0311516	2-1/2 IN. MARKER LIGHT GROMMET
7	2	0311512	2-1/2 IN. RED MARKER LIGHT
8	4	0311503	6 IN. OVAL GROMMET
9	4	0311498	6 IN. OVAL RED LIGHT
10	2	0311511	CARRIER TAIL LIGHT GROMMET
11	2	0311510	CARRIER BACK UP LIGHT
12	1	0311528	BACK UP ALARM GROMMET
13	1	0306385	BACK UP ALARM
14	1	0311525	LICENSE PLATE LIGHT
15	2	0306050	TAIL LIGHT WIRE GROMMET
16	4	-	BOLT, HHCS 3/8-16 UNC x 1
17	14	-	LOCK WASHER - 1/4
18	12	-	BOLT, RHMS 1/4-20 UNC x 3/4
19	14	-	HEX NUT 1/4-20 UNC
20	8	-	BOLT, CARRIAGE 3/8-16 UNC x 1-1/4 SS
21	8	-	FLAT WASHER - 3/8
22	12	-	NYLON LOCK NUT 3/8-16 UNC
23	2	-	BOLT, HHCS 1/4-20 UNC x 1
24	2	-	NYLON LOCK NUT 1/4-20 UNC

Section VI - PARTS

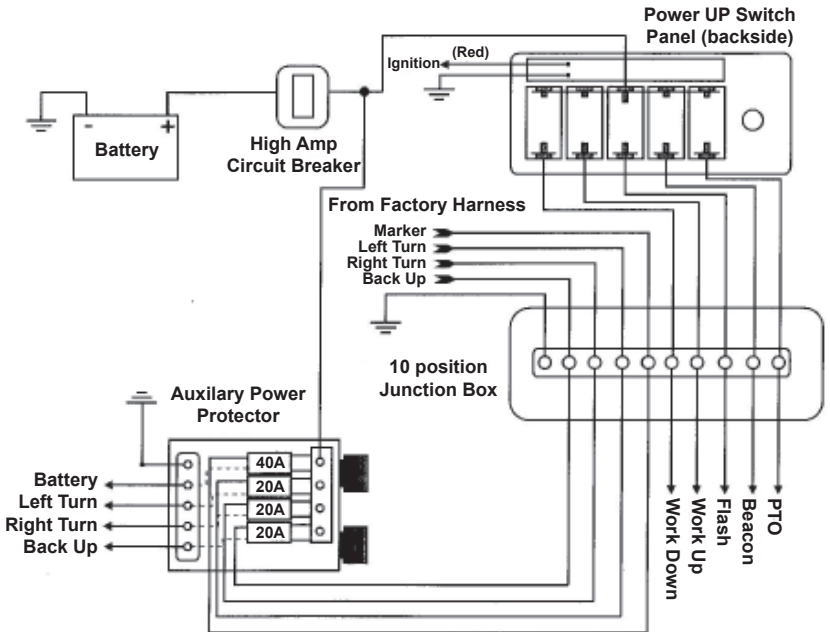
BODY LOCK ASSEMBLY - 364220K



REF. NO.	NO. REQ'D	PART NUMBER	DESCRIPTION
1	1	364220	LCG BODY LOCK WELDMENT-SETBACK CAPABLE
2	1	36315L	BODY LOCK HOLD-DOWN - LEFT
3	1	36315R	BODY LOCK HOLD-DOWN - RIGHT
4	2	7B130	GREASE FITTING 1/4-28
5	2	36310	ROLLER WHEEL
6	4		FLAT WASHER 1
7	2		NYLON LOCK NUT, 7/8-14 UNF
8	2	0809183	MOUNTING BRACKET
9	4		BOLT, 5/8-11 HHCS UNC x 2 GRADE 5
10	8		FLAT WASHER 5/8
11	8		NYLON LOCK NUT, 5/8-11 UNC
12	6		BOLT, HHCS 1/2-20 UNF x 1-1/4
13	6		FLAT WASHER, 1/2 IN.
14	6		NYLON LOCK NUT, 1/2-20 UNF
15	4		CARRIAGE BOLT 5/8-11 x 1-3/4

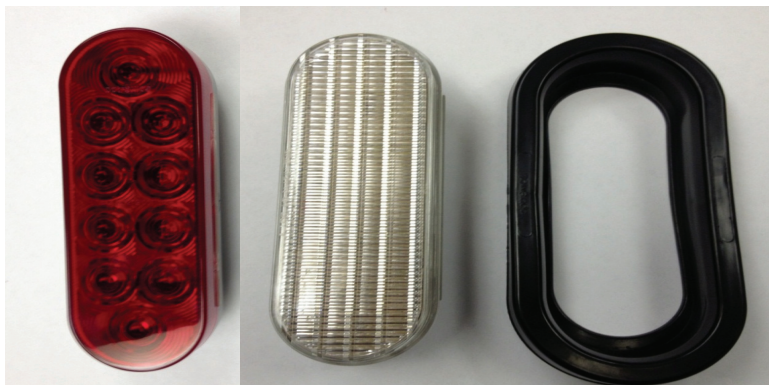
Section VI - PARTS (cont'd)

OPTIONAL DASHBOARD PANEL

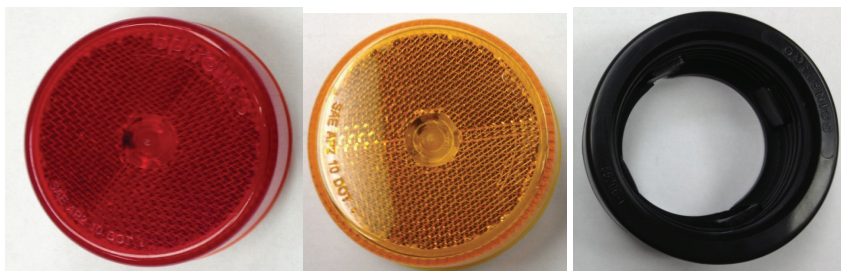


Section VI - PARTS

LIGHT KIT



REF. NO.	PART NUMBER	DESCRIPTION
1	0311498	LIGHT 6" OVAL RED LED - STOP/TURN
2	0311498	LIGHT 6" OVAL REVERSE LED
3	0311503	LIGHT 6" GROMMET



REF. NO.	PART NUMBER	DESCRIPTION
1	0311512	LIGHT 2.5" RED REFLEX LED (MCL59RB)
2	0311513	LIGHT 2.5" AMBER REFLEX LED (MCL59AB)
3	0311516	LIGHT 2.5" GROMMET

Section VI - PARTS

LIGHT KIT



REF. NO.	PART NUMBER	DESCRIPTION
1	0311514	LIGHT 2.5" ROUND CLEAR/RED LED MARKER LIGHT
2	0311515	LIGHT 2.5" ROUND CLEAR/AMBER LED MARKER LIGHT
3	3011516	LIGHT 2.5" GROMMET



REF. NO.	PART NUMBER	DESCRIPTION
1	97300	CONTROL STATION LIGHT

Section VI - PARTS

LIGHT KIT



REF. NO.	PART NUMBER	DESCRIPTION
1	0311519	RED 3/4 LED ICC LIGHT



REF. NO.	PART NUMBER	DESCRIPTION
1	0311520	RED 3/4 LED LIGHT

Section VI - PARTS

LIGHT KIT



REF. NO.	PART NUMBER	DESCRIPTION
1	0311521	AMBER 3/4 ROUND LED LIGHT



REF. NO.	PART NUMBER	DESCRIPTION
1	0311522	CLEAR/RED 3/4 ROUND LED LIGHT



REF. NO.	PART NUMBER	DESCRIPTION
1	0311523	CLEAR/AMBER 3/4 ROUND LED LIGHT

Section VI - PARTS

LIGHT KIT



REF. NO.	PART NUMBER	DESCRIPTION
1	0308359	MARKER LIGHT RED REFLEX LED



REF. NO.	PART NUMBER	DESCRIPTION
1	0308360	MARKER LIGHT AMBER REFLEX LED

Section VI - PARTS

LIGHT KIT



REF. NO.	PART NUMBER	DESCRIPTION
1	0308969R	MARKER LIGHT RED REFLEX LED



REF. NO.	PART NUMBER	DESCRIPTION
1	0308969A	MARKER LIGHT AMBER REFLEX LED

Section VI - PARTS

LIGHT KIT



REF. NO.	PART NUMBER	DESCRIPTION
1	074027041ACL	MILLENIUM MARKER LIGHT CLEAR/AMBER



REF. NO.	PART NUMBER	DESCRIPTION
1	174027041RCL	MELLIENUM MARKER LIGHT CLEAR/RED

Section VI - PARTS

LIGHT KIT



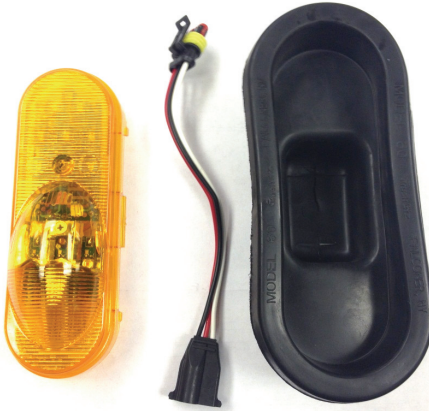
REF. NO.	PART NUMBER	DESCRIPTION
1	0308491	REFLECTOR - AMBER



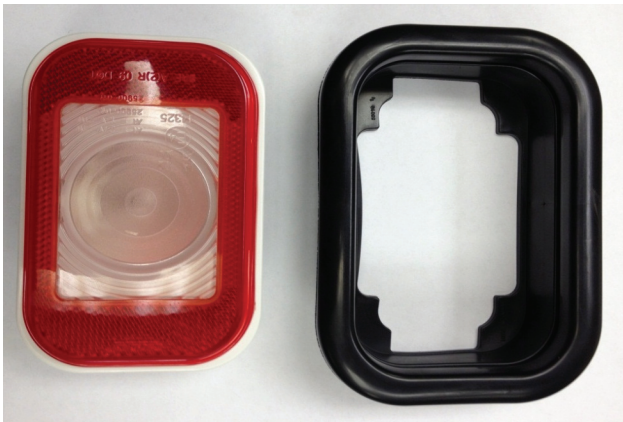
REF. NO.	PART NUMBER	DESCRIPTION
1	0308490	REFLECTOR - RED

Section VI - PARTS

LIGHT KIT



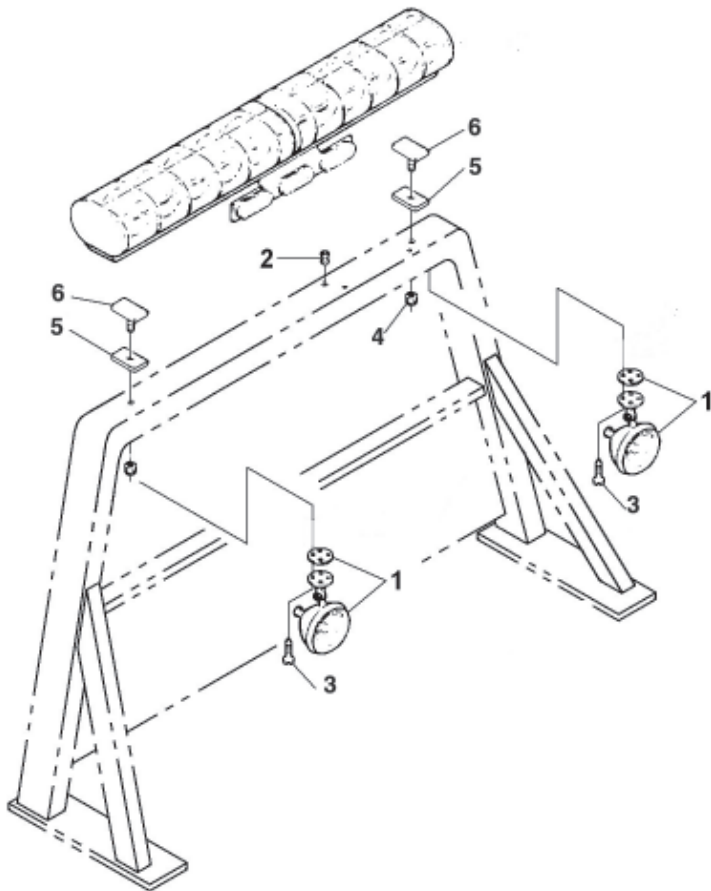
REF. NO.	PART NUMBER	DESCRIPTION
1	0308420	OVAL MID BODY TURN LED
1	0311513	OVAL MID BODY TURN GROMMET



REF. NO.	PART NUMBER	DESCRIPTION
1	0311510	RECTANGULAR REFLEX BACK UP
1	0311511	RECTANGULAR REFLEX BACK UP GROMMET

Section VI - PARTS (cont'd)

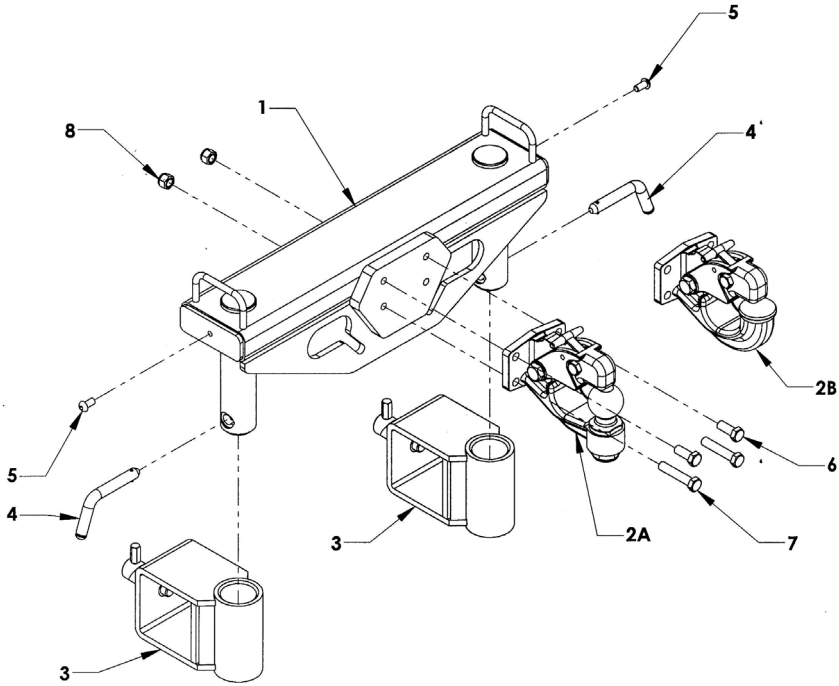
OPTIONAL LIGHTING ACCESSORIES



REF. NO.	NO. REQ'D	PART NUMBER	DESCRIPTION
1	2	124001001	SPOT LIGHT W/GASKET
2	2	0300897	GROMMET, RUBBER
3	8	0400043	#10-24 x 1" MACHINE SCREW
4	2	0400392	NUT, 3/8"-16 HEX NYLOK
5	2	0709872	RUBBER CUSHION
6	2	0801777	"T" BOLT ADAPTER

Section VI - PARTS

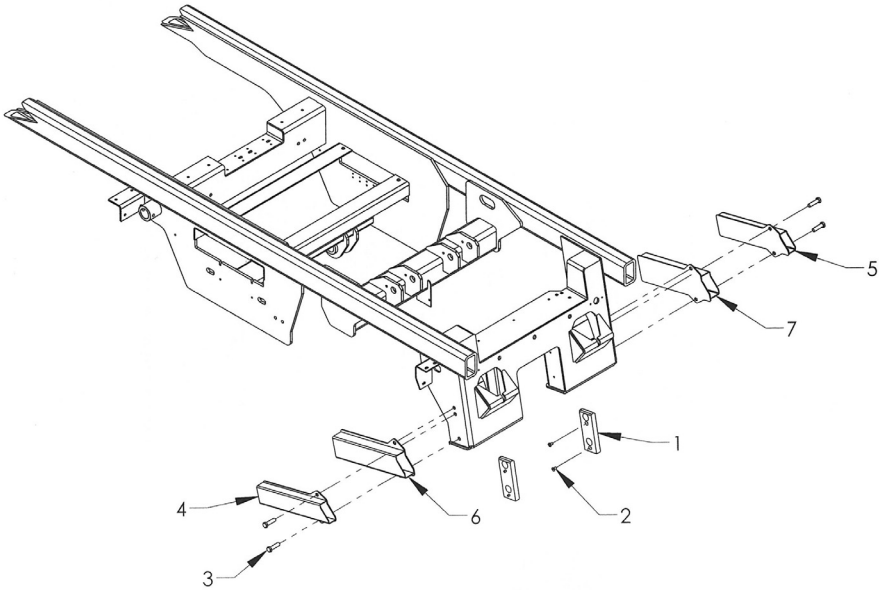
PINTLE ATTACHMENT GROUP



REF	PART #	DESCRIPTION	QPU
1	66370G	PINTLE HITCH GROUP	1
	66370W	PINTLE HITCH WELDMENT	1
2A	A3020	TOW BALL PINTLE HITCH	1
2B	A3020H	PINTLE HOOK	1
3	66280	FORK HOLDER - 4 IN. CROSSBAR	2
	65460	FORK HOLDER - 3-1/2 IN. CROSSBAR	2
4	66378	RETAINING PIN	2
5	812A6	3/8 X 5/8 BUTTONHEAD BOLT	4
	5A220	LANYARD	2
6	81428	BOLT 1/2-13 X 1.25 GRADE 8 SECURE WITH LOCTITE	2
7	81449	BOLT 1/2-13 X 2.5 GRADE 8	2
8	82312	1/2-13 NUT NYLOK	2

Section VI - PARTS

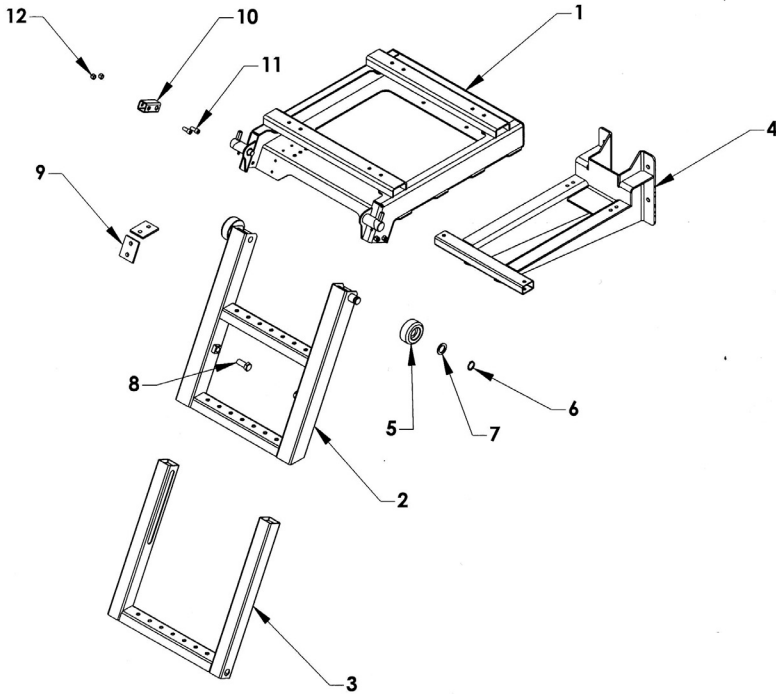
STABILIZER COMPONENTS



REF	PART #	DESCRIPTION	QPU
1	160526	STABILIZER WHEEL LIFT GUIDE PAD	2
	81412	BOLT 3/8-16 UNC x 3/4 FLAT SOCKET HEAD COUNTERSUNK	4
3	81522	BOLT 5/8-11 UNC x 2-1/4	4
4	160533L	4K L-ARM STABILIZER STORAGE TUBE - LEFT	1
5	160533R	4K L-ARM STABILIZER STORAGE TUBE - RIGHT	1
6	160537L	6K L-ARM STABILIZER STORAGE TUBE - LEFT	1
7	160537R	6K L-ARM STABILIZER STORAGE TUBE - RIGHT	1

Section VI - PARTS

LCG RETRACTABLE LADDER



REF	PART #	DESCRIPTION	QPU
	390000	LADDER ASSEMBLY	1
1	391010	LADDER CARRIAGE	1
2	391020	UPPER RUNG ASSEMBLY	1
3	391030	LOWER RUNG ASSEMBLY	1
4	391050	FRAME MOUNTING BRACKET - OPTIONAL	1
5	36310	WHEEL	2
6	86100E	RETAINING RING 1.00 EXTERNAL	2
7	82710	FLAT WASHER 1 x 1.50	2
8	391026	RETAINING BOLT 5/8-11 x 1-1/2	2
9	391018	WEAR PAD	4
10	391015	RETAINING TUBE	2
11	81211	ALLEN HEAD BOLT 3/8-16 x 1	4
12	83211	NYLON LOCK NUT 3/8-16	4