

CENTURY®

LEGENDARY LEADERSHIP



OWNER'S MANUAL

20 SERIES 2 & 3 CAR CARRIERS

INSTALLATION, OPERATION, MAINTENANCE & PARTS

**NOTE: MANUAL including SPECIFICATIONS, subject to change without notice
All ratings specified are based on structural factors only,
not vehicle capacities or capabilities.**

CENTURY®

Miller Industries Towing Equipment Inc.
8503 Hilltop Drive
Ooltewah, Tennessee 37363

FORM NO. 0500804

PRICE \$25.00

Section VI - PARTS

This Section is provided by the manufacturer for the purpose of ordering any component part of the **20 Series Car Carrier** that may be required when part replacement is necessary. Be certain to use only original equipment replacement parts for warranty purposes as well as for keeping your **20 Series Car Carrier** in its original state and optimum operating capacities.

When ordering replacement or spare parts be sure to provide the following information to your carrier manufacturer authorized representative.

1. **Manual Number & Date of Publication**
2. **Manual Page Number**
3. **Page Title**
4. **Reference Number of Part Desired**
5. **Part Number**
6. **Part Description**
7. **Quantity of Part Desired**

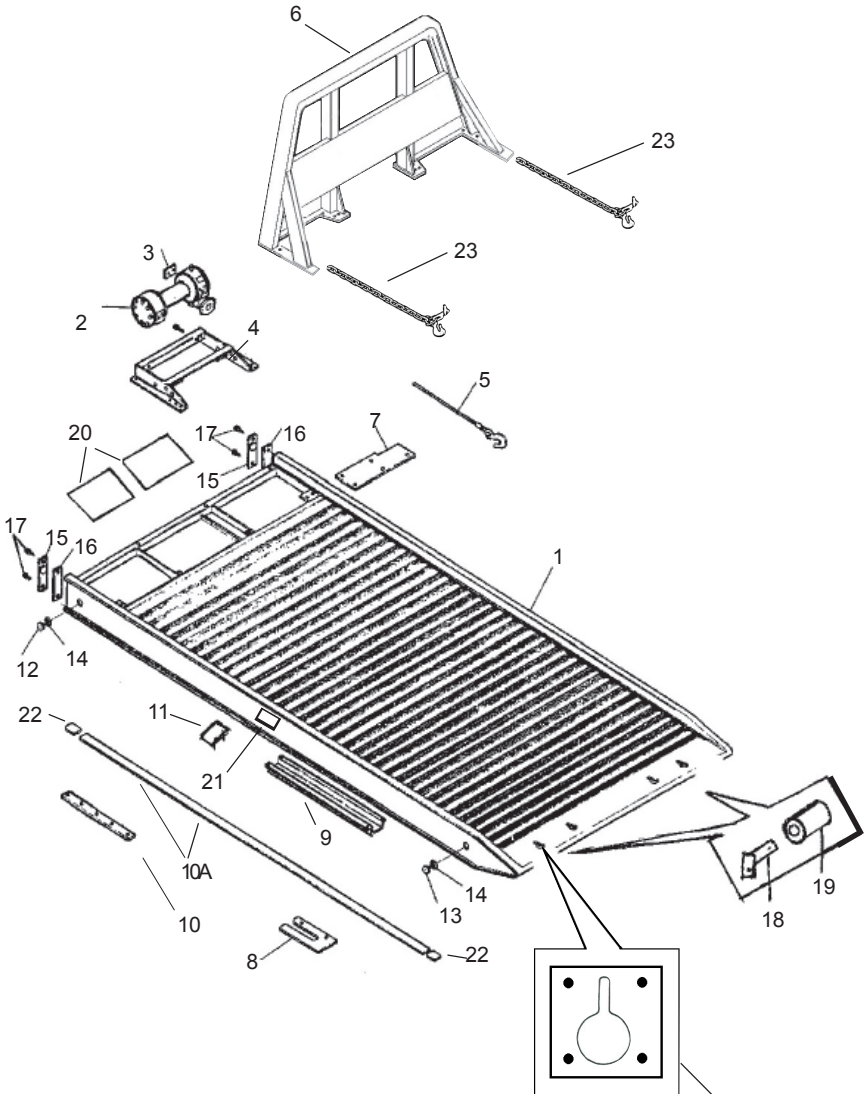
Providing this information will help ensure that the correct parts will be delivered to you in an expedient manner without delay. Should additional information be required for repair or replacement of certain components, contact **Miller Industries, Hermitage, PA, Phone: 724-981-3328, FAX 724-981-5260.**

The Manufacturer reserves the right, without notice or obligation, to improve or modify their products, which may change the specifications, models and feature availability.

Section VI - PARTS (cont'd)

ALUMINUM BED ASSEMBLY

FULL SIDE



* BED WITH OVERHEAD RACK NOT SHOWN.

Section VI - PARTS (cont'd)

ALUMINUM BED ASSEMBLY

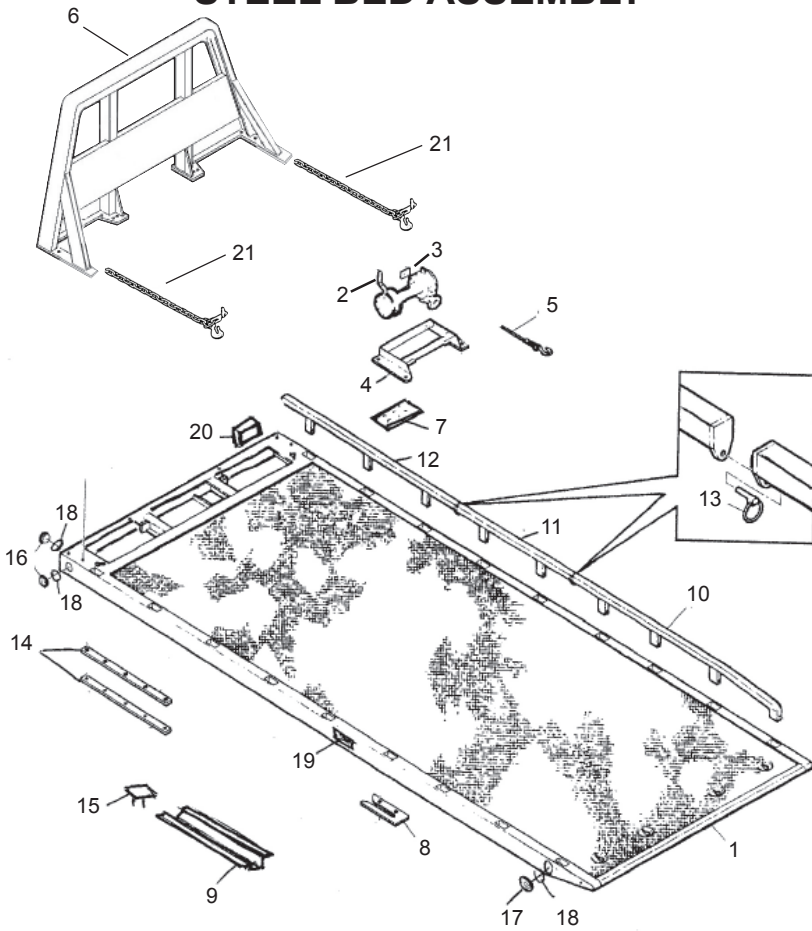
FULL SIDE

REF. NO.	NO. REQ'D	PART NUMBER	DESCRIPTION
1	1	*	CARRIER BED WELDMENT
2	1	0308698	WINCH - 4 TON WORM
3	2	0701172	SPACER, WINCH BRACKET
4	1	0801482	WINCH FRAME - 4 TON WORM
5	1	0301669	WINCH CABLE ASSEMBLY
6	1	*	CAB PROTECTOR WELDMENT - SPECIFY CHASSIS
7	1	0703203	COVER PLATE
8	1	0708913	ANTI-TILT PLATE
9	1	*	HOSE TRAY
10		*	BEARING PAD KIT - (TOP)
10A		*	BEARING PAD KIT - (BOTTOM)
11	1	0720290	HOSE CLAMP WELDMENT
12	2	0311513	LIGHT 2.5" AMBER REFLEX LED (MCL59AB)
13	2	0311512	LIGHT 2.5" RED REFLEX LED (MCL59RB)
14	4	0311516	LIGHT 2.5" GROMMET
15	2	0308969A	MARKER LIGHT, AMBER
16	2	0710915	BED FILLER PLATE
17	4	0403006	10-24 X 5/8" BHSCS SS
18	2	0750842	J-BAR
19	2	0721483	ROLLER (OPTION)
20	2	0306054	TRAY MAT
21	2	0308420	LED MID BODY TURN SIGNAL (24' & UP)
22	4	0750066	STOP BARS
23	2	0302493	FRONT SAFETY CHAIN ASSEMBLY - 5/16" x 8'
24	4	0707239	KEY HOLE PLATE
	16	0403053	3/8 - 16 x 1-1/4" CARRIAGE HEAD BOLT SS
	16	0402122	3/8 - 16 HEX NUT SS
	16	0402121	3/8 LOCK WASHER SS

* CONTACT DISTRIBUTOR FOR ADDITIONAL INFORMATION

Section VI - PARTS (cont'd)

STEEL BED ASSEMBLY



* BED WITH OVERHEAD RACK NOT SHOWN.

Section VI - PARTS (cont'd)

STEEL BED ASSEMBLY

REF. NO.	NO. REQ'D	PART NUMBER	DESCRIPTION
1	1	*	CARRIER BED WELDMENT (REM. RAIL)
2	1	0908698	WINCH - 4 TON WORM
3	2	0701172	SPACER, WINCH BRACKET
4	2	0801482	WINCH FRAME - 4 TON WORM
5	1	0301669	WINCH CABLE ASSEMBLY
6	1	*	CAB PROTECTOR WLDMT - SPECIFY CHASSIS
7	1	0704772	COVER PALTE
8	1	0708913	ANTI-TILT PLATE
9	1	*	HOSE TRAY
10	2	0809393	REAR REMOVABLE RAIL - STEEL
11	2	0805039	MID REMOVABLE RAIL - STEEL (22' ONLY)
	*	0802661	MID REMOVABLE RAIL - STEEL (24' THRU 30')
12	2	*	FRONT REMOVABLE RAIL - STEEL
13		0306070	LYNCH PIN
14	2	0302027	BEARING PAD
15	1	0720290	HOSE CLAMP WELDMENT
16	4	0311513	LIGHT 2.5" AMBER REFLEX LED (MCL59AB)
17	2	0311512	LIGHT 2.5" RED REFLEX LED (MCL59RB)
18	6	0311516	LIGHT 2.5" GROMMET
19	2	0306336	MID BODY TURN SIGNAL (24' & UP)
	2	0308420	LED MID BODY TURN SIGNAL (24' & UP)
20	1	0303385	JUNCTION BOX
21	2	0302493	FRONT SAFETY CHAIN ASSEMBLY - 5/16" x 8'

* CONTACT DISTRIBUTOR FOR ADDITIONAL INFORMATION

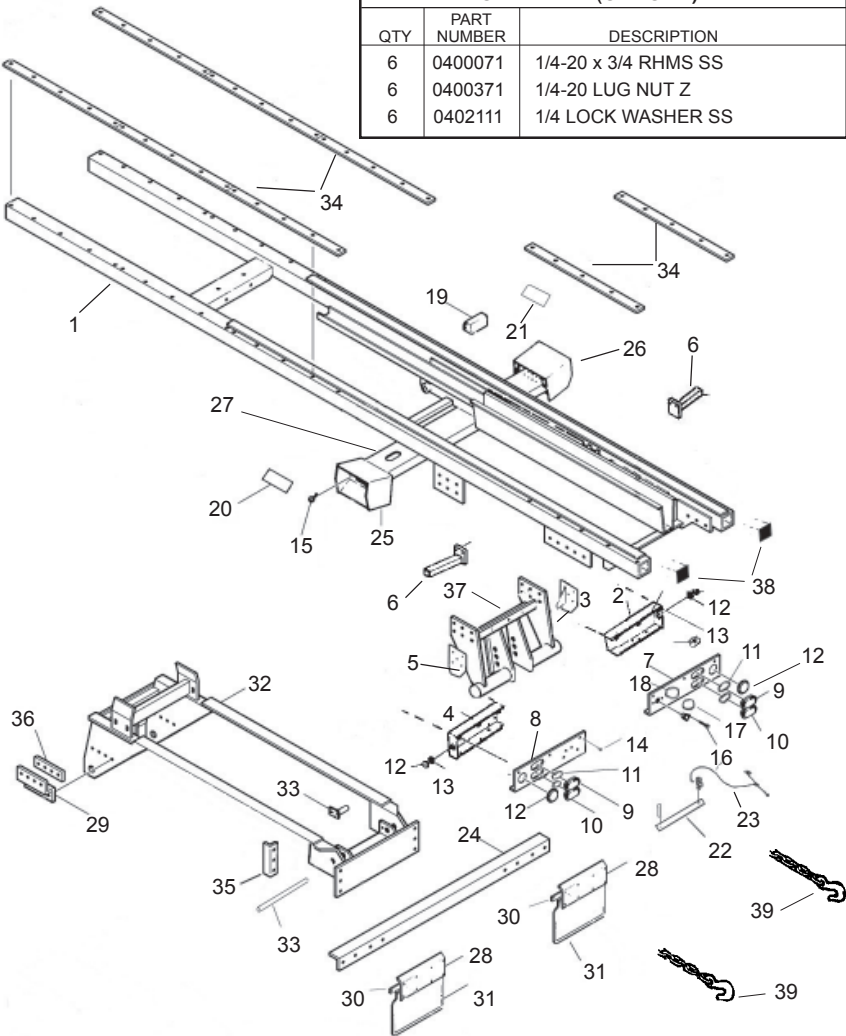
Section VI - PARTS (cont'd)

MOUNTING & TILT FRAME ASSEMBLY

BEZEL TYPE	LH	RH
HORIZONTAL S.S.	0721760	0721761
VERTICAL S.S.	0721339	0721340
HORIZONTAL BLK.	0705253	0705254
VERTICAL BLK.	0720030	0720031

TAIL LIGHT HOUSING FASTENER KIT (ONE SIDE)		
QTY	PART NUMBER	DESCRIPTION
4	0403053	3/8-16 x 1-1/4 CARR. HD. BOLT SS
4	0402122	3/8-16 HEX NUT SS
4	0403053	3/8 LOCK WASHER SS

BEZEL FASTENER KIT (ONE SIDE)		
QTY	PART NUMBER	DESCRIPTION
6	0400071	1/4-20 x 3/4 RHMS SS
6	0400371	1/4-20 LUG NUT Z
6	0402111	1/4 LOCK WASHER SS



* 3 OR 4 CAR WITH OVERHEAD RACK NOT SHOWN.

Section VI - PARTS (cont'd)

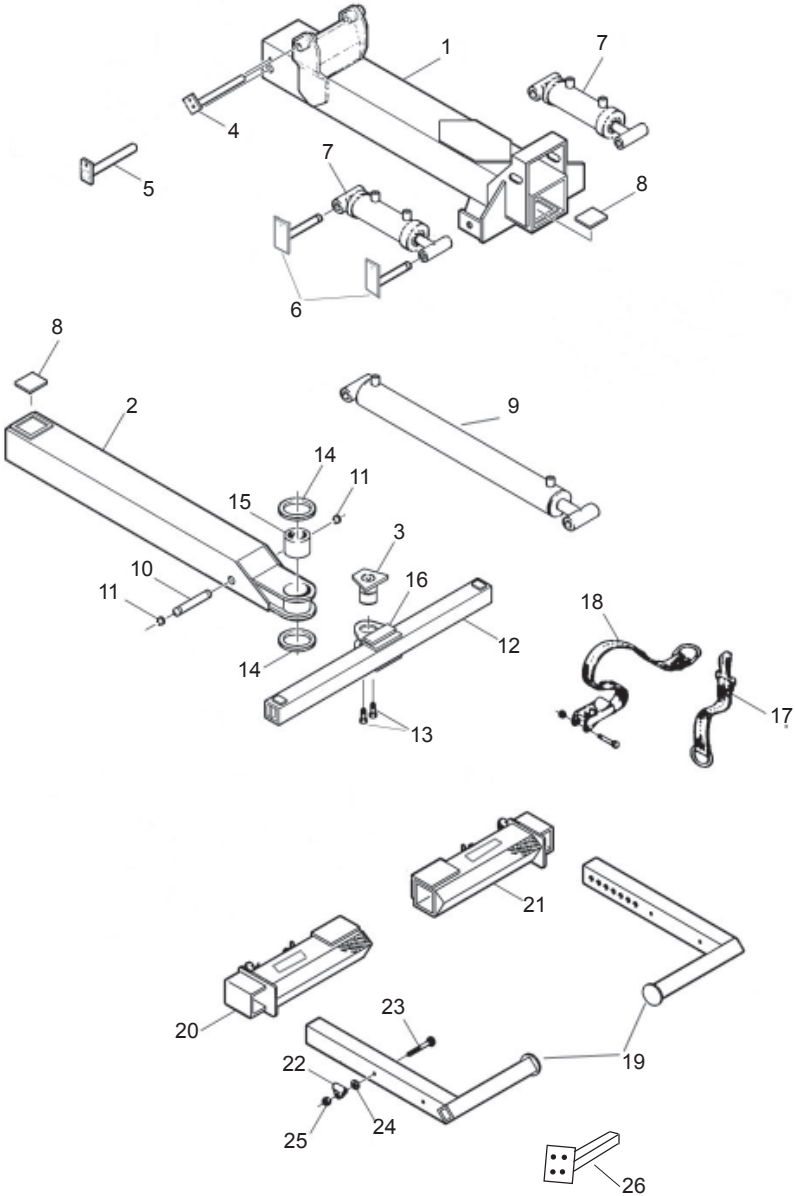
MOUNTING & TILT FRAME ASSEMBLY

REF. NO.	NO. REQ'D	PART NUMBER	DESCRIPTION
1	1	0801863	TILT FRAME - W/L (SINGLE AXLE)
		0805333	TILT FRAME - W/L (TANDEM AXLE) 24'
		0806225	TILT FRAME - W/L (TANDEM AXLE) 26' & UP
2	1	0809092	TAIL LIGHT HOUSING (RH)
3	1	0710784	TAIL LIGHT MTG. BKT. (RH) ALL SERIES
4	1	0809093	TAIL LIGHT HOUSING (LH)
5	1	0710783	TAIL LIGHT MTG. BKT. (LH) ALL SERIES
6	2	0809142	L-ARM STORAGE TUBE BRACKET (4-CAR)
6	2	0805163	L-ARM STORAGE TUBE BRACKET
7	1	0721761	PLATE, LIGHT MOUNTING (RH)
8	1	0721760	PLATE, LIGHT MOUNTING (LH)
9	2	0311498	LIGHT 6" OVAL RED LED
10	2	0311500	LIGHT 6" OVAL REVERSE LED
11	4	0311503	LIGHT 6" OVAL GROMMET
12	4	0311512	LIGHT 2.5" RED FEFLEX LED (MCL59RB)
13	4	0311516	LIGHT 2.5" GROMMET
14	1	0308313	LICENSE PLATE ILLUMINATOR
15	2	0311527	LIGHT CONTROL BOX W/BASE & WIRE
16	1	0308210	TOW LIGHT SOCKET
17	1	0306385	BACK UP ALARM
18	1	0311528	BACK UP ALARM GROMMET
19	1	0303385	JUNCTION BOX
20	1	0500425	CONTROL STA. DECAL, 5 SPOOL (LH)
	1	0500821	CONTROL STA. DECAL, 3 or 4 CAR (LH)
	1	0500237	CONTROL STA. DECAL, 4 SPOOL (LH)
21	1	0500426	CONTROL STA. DECAL, 5 SPOOL (RH)
	1	0500820	CONTROL STA. DECAL, 3 or 4 CAR (RH)
	1	0500236	CONTROL STA. DECAL, 4 SPOOL (RH)
22	1	0709867	SAFETY PIN (1-1/4" x 14" CR)
23	1	0905895	SAFETY PIN HDW. (0709867)
24	1	0710985	MUD FLAP ANGLE
25	1	0809511L	CONTROL BOX HOOD WLMT (LH)
26	1	0809511R	CONTROL BOX HOOD WLMT (RH)
27	1	0702526	CONTROL BOX SUPP. CHANNEL (LONG)
	1	0806224	ITEMS #25, 26, 27 COMPLETE ASSY.
28	2	0704326	MUD FLAP MTG. BKT.
29	2	0805188	MOUNTING BRKT. WLMT.
30	2	0750340	BAR, MUD FLAP SUPPORT (S.S.)
31	2	*	MUD FLAP 24" x 24"
32	1	0801195	MOUNTING FRAME (SINGLE AXLE)
		0805171	MOUNTING FRAME (TANDEM)
33	2	0801202	PIN, PIVOT (SINGLE AXLE)
	1	0720257	PIN, PIVOT (TANDEM AXLE)
34	*	0306021	BEARING PAD
35	2	0704378	MOUNTING ANGLE
36	2	0704152	SPACER, MOUNTING BRACKET
37	1	0809054	STABILIZER (W/L)
38	2	0805265	END CAP WELDMENT
39	2	0302493	SAFETY CHAIN

* CONTACT DISTRIBUTOR FOR ADDITIONAL INFORMATION

Section VI - PARTS (cont'd)

WHEEL LIFT ASSEMBLY



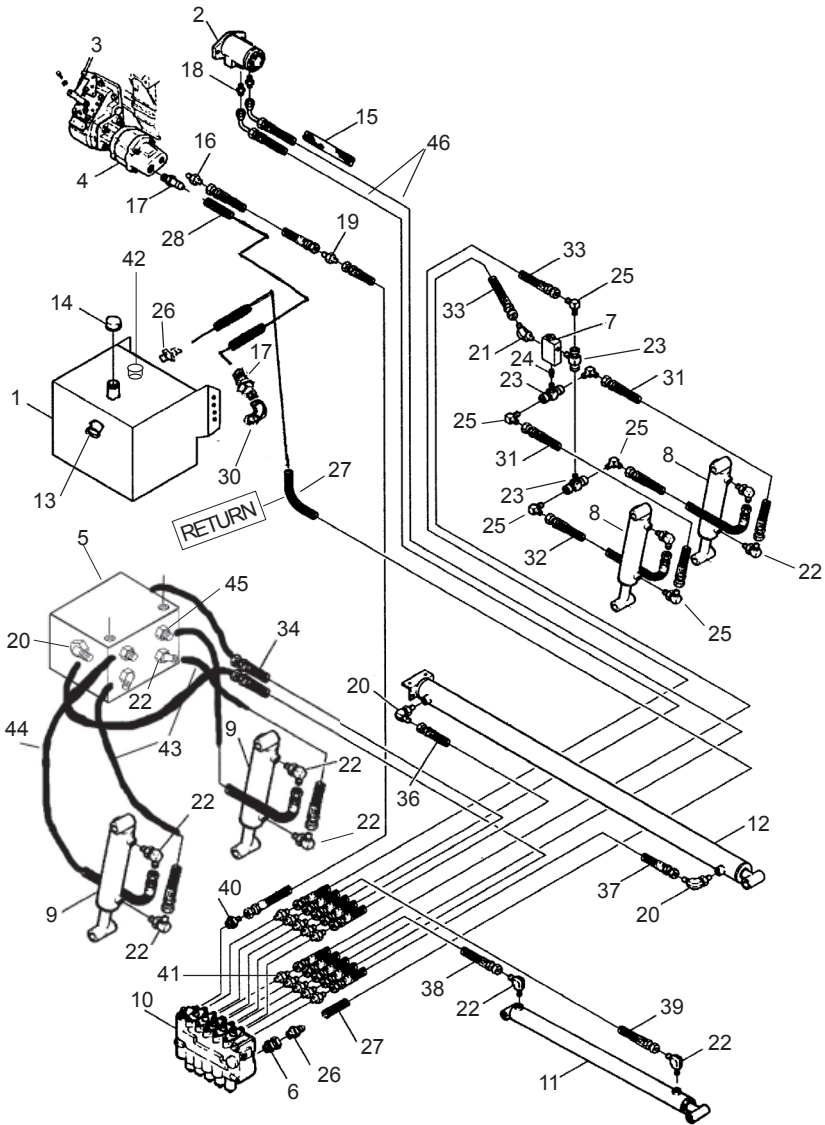
Section VI - PARTS (cont'd)

WHEEL LIFT ASSEMBLY

REF. NO.	NO. REQ'D	PART NUMBER	DESCRIPTION
1	1	0801859	OUTER BOOM WELDMENT
2	1	0801981	INNER BOOM WELDMENT
3	1	0801877	PIVOT PIN, WHEEL LIFT
4	1	0809411	WHEEL LIFT CYLINDER PIN
5	1	0801210	PIN, EXTEND CYLINDER PIVOT
6	4	0806094	PIN, LIFT CYLINDER WELDMENT
7	2	0302368	WHEEL LIFT CYLINDER
8	2	0301850	BEARING PAD, NYLATRON (INNER BOOM)
9	1	0302025	WHEEL LIFT EXTEND CYLINDER
10	1	0704239	PIN, EXTEND CYLINDER PIVOT
11	2	0300110	SNAP RING 1"
12	1	0801879	INNER CROSSBAR WELDMENT
13	2	0701956	SCREW 1/2-13 x 1" GR 5 HHCS SPECIAL
14	2	0703747	THRUST WASHER
15	1	0302248	PIVOT PIN BUSHING
16	1	0500241	DECAL
17	2	0301681	TIE DOWN STRAP
18	2	0301682	TIE DOWN RATCHET ASSEMBLY
19	2	0308664	STRAP RATCHET ASSY. - 3 OR 4 CAR W/RACK
20	2	0802606	L-ARM
20	2	0801332	L-ARM - 3 OR 4 CAR W/RACK
20	1	0909332	OUTER CROSSTUBE ASSY. - LH (COMPLETE)
20	1	0905121	OUTER CROSSTUBE ASSY. - LH (COMPLETE) - 3 OR 4 CAR W/RACK
21	1	0909333	OUTER CROSSTUBE ASSY. - RH (COMPLETE)
21	1	0905122	OUTER CROSSTUBE ASSY. - RH (COMPLETE) - 3 OR 4 CAR W/RACK
22	2	0800839	BRACKET, TIE DOWN STRAP - NOT 4 CAR
23	2	0400269	5/8-11 x 4-1/2" CARRIAGE BOLT GR5 Z - NOT 4 CAR
24	2	0400505	5/8" SAE FLAT WASHER Z - NOT 4 CAR
25	2	0400421	5/8-11 NYLON LOCK NUT Z - NOT 4 CAR
26	2	0805163	STORAGE TUBE
26	2	0809142	STORAGE TUBE - 3 OR 4 CAR W/RACK

Section VI - PARTS (cont'd)

HYDRAULICS



NOTE: SIZE OF COMPONENTS SHOWN ARE FOR ILLUSTRATION ONLY.
ALSO ILLUSTRATION IS FOR 24' AND UP.

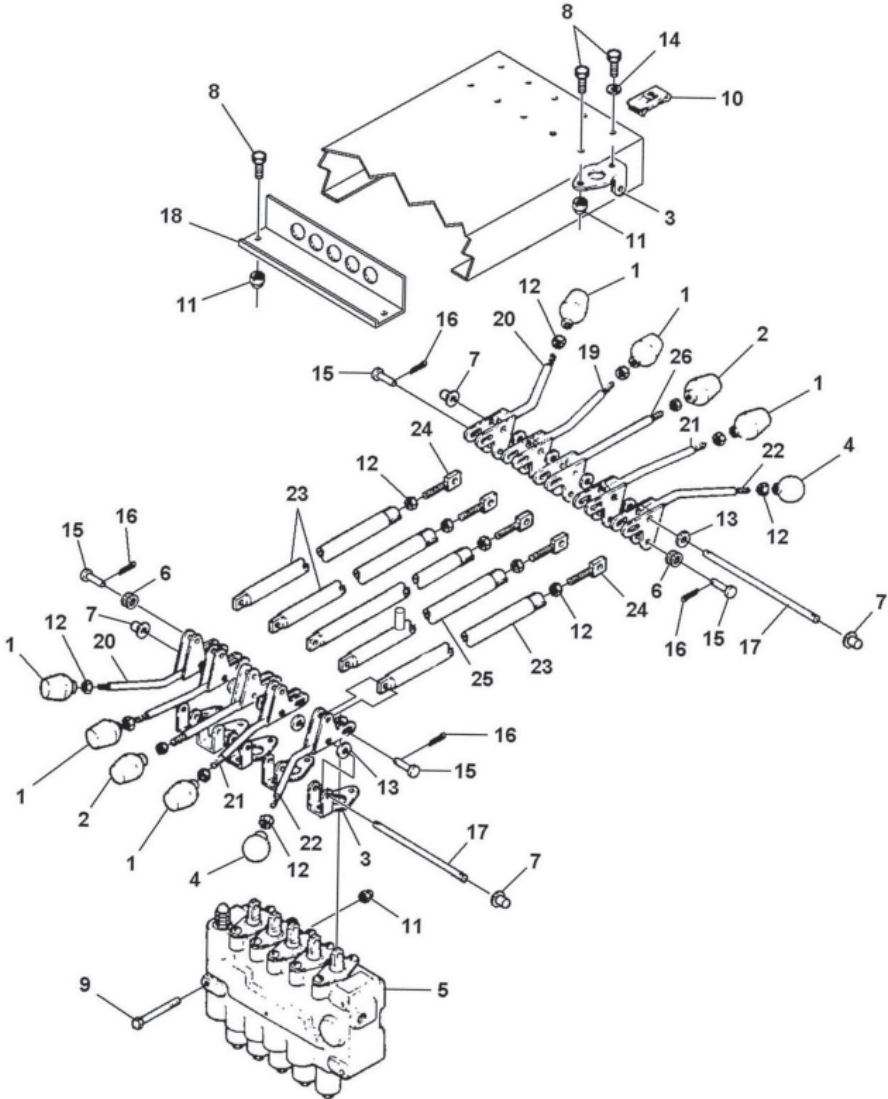
Section VI - PARTS (cont'd) HYDRAULICS

REF. NO.	NO. REQ'D	PART NUMBER	DESCRIPTION
1	1	0805186	OIL RESERVOIR (22')
	1	0805187	OIL RESERVOIR (24' & UP)
2	1	0306157	WINCH MOTOR, 4 TON
	1	0302148	WINCH MOTOR, 5/6 TON
3	1	*	PTO
4	1	0306031	PUMP (15 GPM)
5	1	0302024	BED TILT CYLINDER LOCK VALVE (22')
	1	0306132	BED TILT CYLINDER LOCK VALVE (24' & UP)
6	1	0308393	HYD. FITTING 3/4" MORB x 3/4" FP
7	1	0301731	WHEEL LIFT LOCK VALVE
8	2	0302368	CYLINDER, WHEEL LIFT UP/DN
9	2	0302012	CYLINDER, BED TILT (22')
	2	0308520	CYLINDER, BED TILT (24' & UP)
10	1	0302179	VALVE BODY, 5 SPOOL
11	1	0302025	CYLINDER, WHEEL LIFT EXTEND
12	1	0302011	CYLINDER, BED EXTEND
13	1	0306023	SIGHT GLASS
14	1	0702741	CAP, OIL RESERVOIR
15	*	0306338	SKUFF JACKET
16	1	0302757	HYDRAULIC FITTING 8MJ-16MB
17	1	0300492	HYDRAULIC FITTING 1" HOSE BARB MB
18	6	0300041	HYDRAULIC FITTING 8MJ-8MB
19	1	0300865	HYDRAULIC FITTING 8MJ-8MJ
20	4	0301388	HYDRAULIC FITTING 8MJ-8MB 90 DEG.
21	1	0301848	HYDRAULIC FITTING 6MJ-6MP 45 DEG.
22	10	0306143	HYDRAULIC FITTING 6MJ-6MB 90 DEG.
23	3	0301868	HYDRAULIC FITTING 4FP-4FP-4MP BRANCH "T"
24	1	0306117	HEX BUSHING 3/8" x 1/4" (151157X)
25	6	0300142	HYDRAULIC FITTING 6MJ-4MP 90 DEG.
26	2	0308296	LOCK ON STEM, 3/4" MALE NPT
27	1	0704366	HOSE RETURN 3/4" x 20' LONG
28	1	0306080	HOSE SUCTION 1" x 11' LONG
29	1	0300056	HYDRAULIC FITTING 1" HOSE BARB MP
30	1	0300692	HYDRAULIC FITTING 1" 90 DEG. STREET ELL
31	2	0306109	HOSE 4M2T-6FJX-6FJX 1/4 x 21
32	2	0301660	HOSE 4M3K 6FJX-6FJX 1/4 x 21
33	2	0301403	HOSE 4M3K 6FJX-6FJX 1/4 x 80
34	2	0308497	HOSE 8M3K 8FJX-8FJX 1/2 x 175
35	2	0301478	HOSE 4M3K 6FJX-6FJX 1/4 x 60
36	1	0301658	HOSE 8M3K 8FJX-8FJX 1/2 x 128
37	1	0306071	HOSE 8M3K 8FJX-8FJX 1/2 x 58
38	1	0301661	HOSE 6M3K 6FJX-6FJX 3/8 x 62
39	2	0301662	HOSE 6M3K 6FJX-6FJX 3/8 x 120
40	2	0300789	HYDRAULIC FITTING 8MJ-10MB
41	1	0300044	HYDRAULIC FITTING 6MJ-8MB
42	1	9018399	IMMERSION FILTER ASSY
	1	9018309	IMMERSION FILTER ELEMENT
43	2	0302249	HOSE 6M3K 6FJX 3/8 x 46
44	2	0302035	HOSE 6M3K 6FJX 3/8 x 18
45	2	0301424	HYDRAULIC FITTING 6MJ-4MP
46	2	*	WINCH HOSES

* CONTACT DISTRIBUTOR FOR ADDITIONAL INFORMATION

Section VI - PARTS (cont'd)

CONTROL & CROSSROD ASSEMBLY



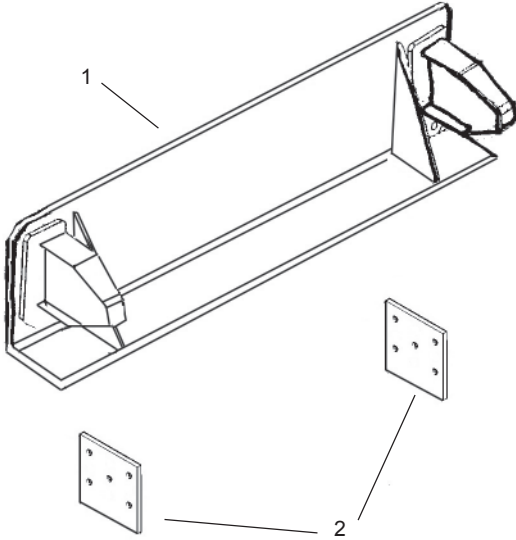
Section VI - PARTS (cont'd)

CONTROL & CROSSROD ASSEMBLY

REF. NO.	NO. REQ'D	PART NUMBER	DESCRIPTION
1	4	0311699	CONTROL KNOB - BLUE SB/B-TILT, SP
2	2	0311700	CONTROL KNOB - RED PRIMARY WINCH
3	10	0301638	BRACKET, CONTROL HANDLE
4	4	0311702	CONTROL KNOB - GRAY W/L EXT/UP-DOWN
5	1	0302179	5-SPOOL CONTROL VALVE
6	10	0306006	SPRING, ANTI-RATTLE
7	4	0306122	END CAP, CONTROL HANDLE ROD
8	12	0400121	3/8-16 x 3/4" HHCS GR5 Z
9	3	0400140	3/8-16 x 4" HHCS GR5 Z
10	5	0400243	3/8-16, J-NUT TINNERMAN
11	10	0400392	3/8-16 NYLON LOCK NUT Z
12	10	0400393	3/8-16 HEX JAM NUT Z
13	15	0400465	5/16" SAE FLAT WASHER Z
14	5	0400482	3/8" LOCK WASHER Z
15	10	0400532	5/16" x 1" CLEVIS PIN Z
16	10	0400543	1/8" x 3/4" COTTER PIN Z
17	2	0705242	ROD, CONT. HANDLE 5 SPOOL
18	1	0720456	UHMW ANGLE
19	2	0809135	CONTROL HANDLE (FWD. INNER) LONG
20	2	0809138	CONTROL HANDLE (FWD. OUTER) LONG
21	2	0809136	CONTROL HANDLE (REAR INNER) LONG
22	2	0809137	CONTROL HANDLE (REAR OUTER) LONG
23	4	0806111	CONTROL ROD WELDMENT
24	5	0800800	CONTROL ROD LINK
25	1	0806112	CONTROL ROD WELDMENT (ANTI-TILT)
26	2	0809134	CONTROL HANDLE WELDMENT (CTR) LONG

Section VI - PARTS (cont'd)

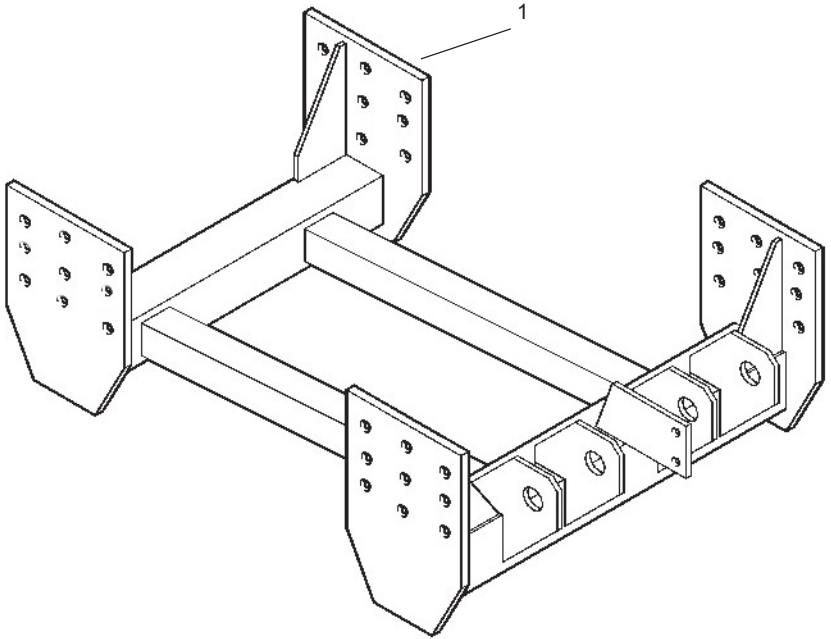
BED LOCK ASSEMBLY



REF. NO.	NO. REQ'D	PART NUMBER	DESCRIPTION
1	1	0801209	BED LOCK WELDMENT
2	2	0720370	MOUNTING PLATE
3	10	0400260	BOLT, 1/2-13 x 1-1/2 HHCS ZP GRADE 5
4	10	0400421	NYLON LOCK NUT, 1/2-13 ZP
5	10	0400505	FLAT WASHER, 1/2 SAE ZP
	4	0403068	CARRIAGE BOLT, 5/8-11 x 1-3/4 ZP GRADE 5

Section VI - PARTS (cont'd)

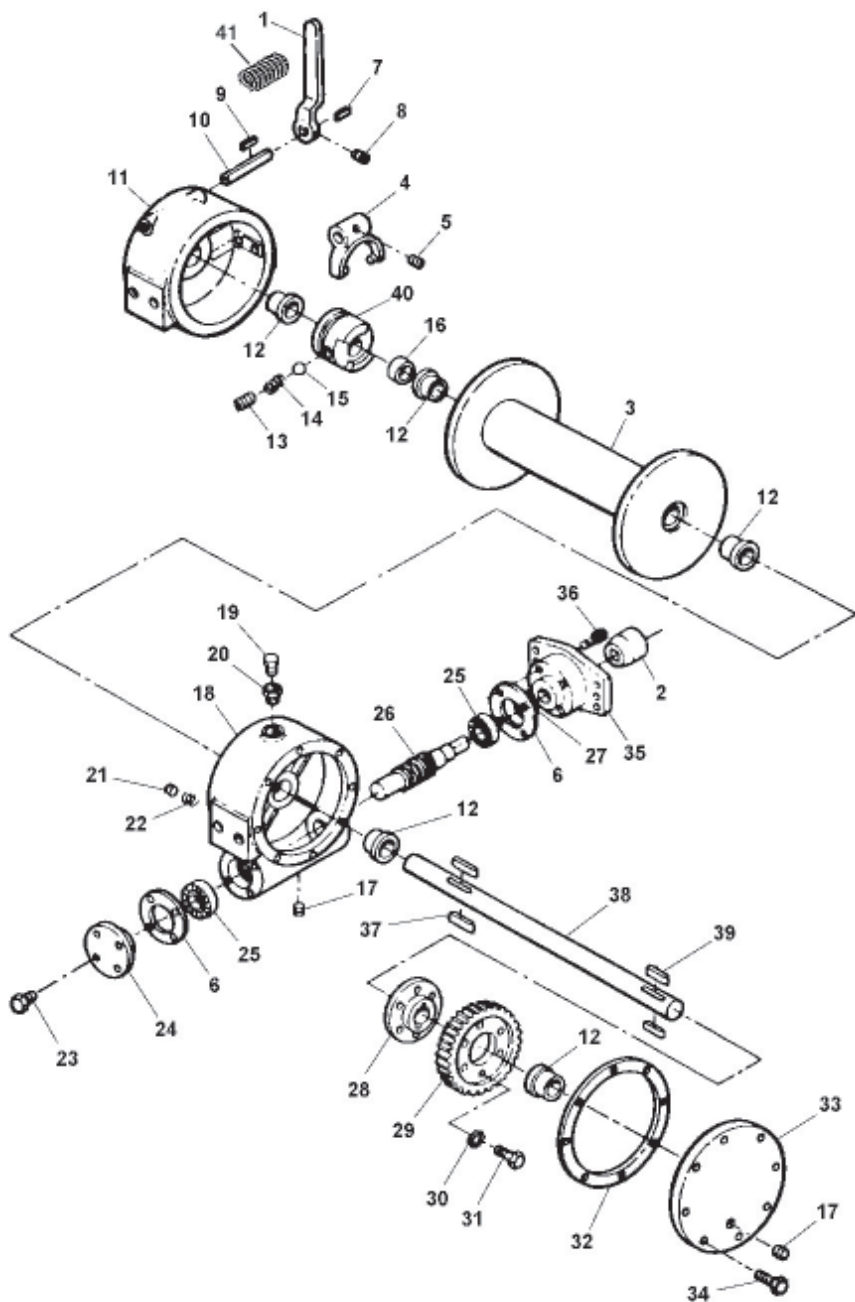
WHEEL LIFT /DOCK STABILIZER MOUNTING BRACKET



REF. NO.	NO. REQ'D	PART NUMBER	DESCRIPTION
1	1	0801861	MOUNTING BRACKET (15/20 SERIES)

Section VI - PARTS (cont'd)

4 TON HYDRAULIC WINCH



Section VI - PARTS (cont'd)

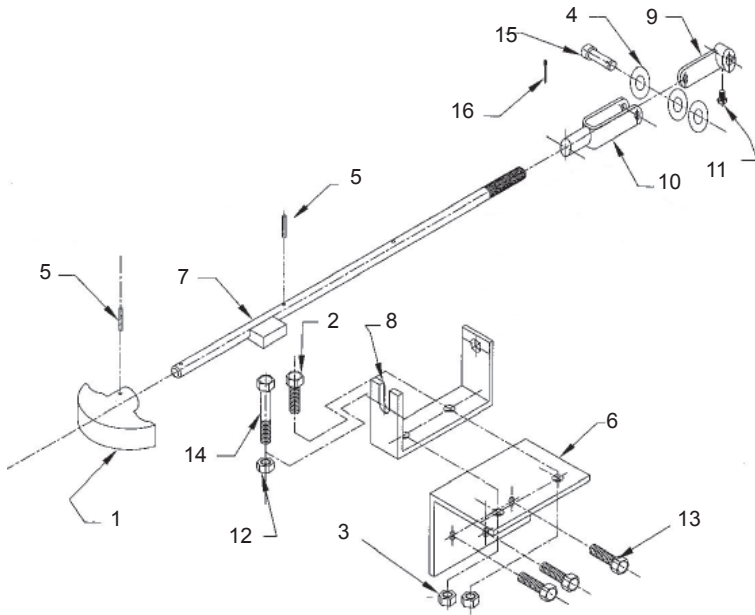
4 TON HYDRAULIC WINCH

REF. NO.	NO. REQ'D	PART NUMBER	DESCRIPTION
1	1	0300261	LEVER
2	1	0300290	COUPLING
3	1	0300381	DRUM
4	1	0300398	YOKE
5	1	0300399	SCREW
6	2	0300447	GASKET
7	1	0300448	KEY
8	1	0300449	SCREW
9	1	0300450	KEY
10	1	0300451	SHAFT
11	1	0300452	CLUTCH HOUSING
12	5	0300453	BUSHING
13	1	0300454	SCREW
14	1	0300455	SPRING
15	1	0300456	BALL
16	1	0300458	SPACER
17	2	0300459	PLUG
18	1	0300460	HOUSING
19	1	0300461	PLUG
20	1	0300462	REDUCER
21	1	0300463	DRAG BRAKE
22	1	0300464	SPRING
23	16	0300465	SCREW
24	1	0300466	CAP
25	2	0300467	BEARING
26	1	0300468	WORM
27	1	0300471	SEAL
28	1	0300472	HUB
29	1	0300473	GEAR
30	6	0300474	WASHER
31	6	0300475	SCREW
32	1	0300476	GASKET
33	1	0600477	COVER
34	4	0300569	SCREW
35	1	0300694	CAP ADAPTER
36	1	0300695	SCREW
37	2	--	KEY
38	1	--	SHAFT
39	2	--	KEY
40	1	--	CLUTCH
41	1	0308608	TORSION SPRING
*	1	0308698	4 TON WORM WINCH ASSEMBLY

* When ordering specify winch serial number.

Section VI - PARTS (cont'd)

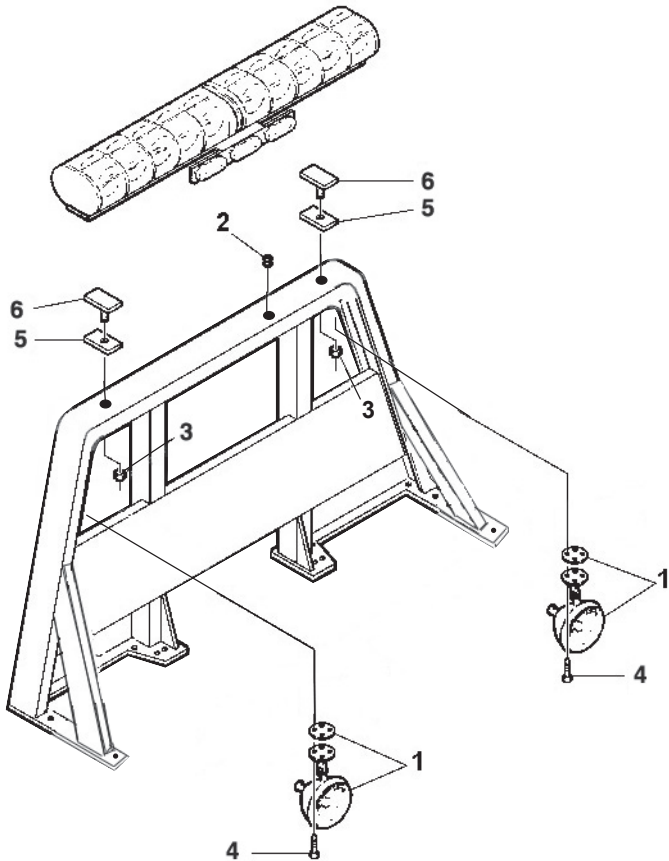
WINCH CLUTCH CONTROL



REF. NO.	NO. REQ'D	PART NUMBER	DESCRIPTION
1	1	0301532	"T" HANDLE
2	1	0400126	3/8-16 x 1 HEX HD. CAP SCR.
3	2	0400392	3/8-16 NYLON NUT
4	3	0400192	1/2" FLAT WASHER
5	2	0400560	ROLL PIN 5/32" DIA. 1" LG.
6	1	0720284	MOUNTING ANGLE (5 & 6 TON)
7	1	0800780	CONTROL ROD
8	1	0702408	U-BRACKET
9	1	0805151	BELL CRANK
10	1	0301588	1/2" YOKE
11	1	0400116	5/16" SQ. HD. SCREW
12	1	0400393	3/8-16 JAM NUT
13	3	0400225	3/8-16 SELF TAPPING BOLT
14	1	0400150	3/8-16 x 2-1/2" LG. BOLT
15	1	0400537	1/2" x 1-1/2" CLEVIS PIN
16	1	0400549	1/8" x 1" COTTER PIN

Section VI - PARTS (cont'd)

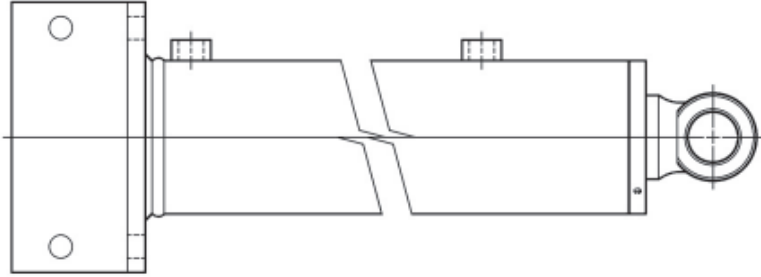
OPTIONAL LIGHTING ACCESSORIES



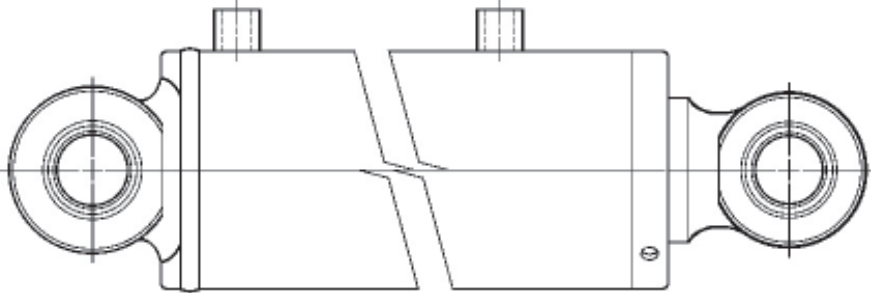
REF. NO.	NO. REQ'D	PART NUMBER	DESCRIPTION
1	2	124001001	SPOT LIGHT W/GASKET
2	2	0300897	GROMMET, RUBBER
3	2	0400392	NUT, 3/8"-16 NYLOK
4	8	0400043	#10-24 X 1" MACHINE SCREW
5	2	0709872	RUBBER CUSHION
6	2	0800539	"T" BOLT ADAPTER

Section VI - PARTS (cont'd)

HYDRAULIC CYLINDERS



REF. NO.	NO. REQ'D	PART NUMBER	DESCRIPTION
1	1	0302011	CYLINDER, BED EXTEND
2	1	0308390	SEAL KIT, BED EXTEND CYLINDER

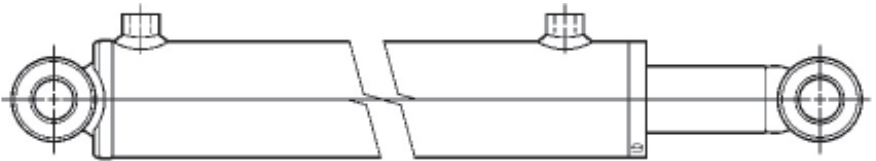


REF. NO.	NO. REQ'D	PART NUMBER	DESCRIPTION
1	2	0302012	CYLINDER, BED TILT 22'
2	1	0308384	SEAL KIT, BED TILT CYLINDER
1	2	0308520	CYLINDER, BED TILT - 24' UP
2	1	0308391	SEAL KIT, BED TILT CYLINDER

Section VI - PARTS (cont'd)

HYDRAULIC CYLINDERS

REF. NO.	NO. REQ'D	PART NUMBER	DESCRIPTION
1	2	0302368	CYLINDER, W/L LIFT
2	1	0308385	SEAL KIT, W/L LIFT CYLINDER



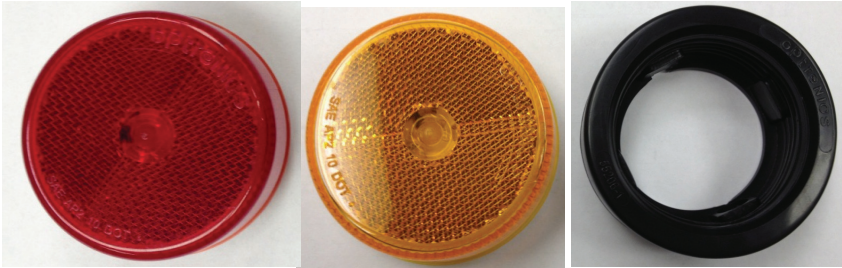
REF. NO.	NO. REQ'D	PART NUMBER	DESCRIPTION
1	1	0302025	CYLINDER, W/L EXTEND
2	1	0308387	SEAL KIT, W/L EXTEND CYLINDER

Section VI - PARTS

LIGHT KIT



REF. NO.	PART NUMBER	DESCRIPTION
1	0311498	LIGHT 6" OVAL RED LED - STOP/TURN
2	0311500	LIGHT 6" OVAL REVERSE LED
3	3011503	LIGHT 6" GROMMET



REF. NO.	PART NUMBER	DESCRIPTION
1	0311512	LIGHT 2.5" RED REFLEX LED (MCL59RB)
2	0311513	LIGHT 2.5" AMBER REFLEX LED (MCL59AB)
3	0311516	LIGHT 2.5" GROMMET

Section VI - PARTS

LIGHT KIT



REF. NO.	PART NUMBER	DESCRIPTION
1	0311514	LIGHT 2.5" ROUND CLEAR/RED LED MARKER LIGHT
2	0311515	LIGHT 2.5" ROUND CLEAR/AMBER LED MARKER LIGHT
3	3011516	LIGHT 2.5" GROMMET



REF. NO.	PART NUMBER	DESCRIPTION
1	0311527	RECTANGULAR LED CONTROL STATION LIGHT

Section VI - PARTS

LIGHT KIT



REF. NO.	PART NUMBER	DESCRIPTION
1	0311519	RED 3/4 LED ICC LIGHT



REF. NO.	PART NUMBER	DESCRIPTION
1	0311520	RED 3/4 LED LIGHT

Section VI - PARTS

LIGHT KIT



REF. NO.	PART NUMBER	DESCRIPTION
1	0311521	AMBER 3/4 ROUND LED LIGHT



REF. NO.	PART NUMBER	DESCRIPTION
1	0311522	CLEAR/RED 3/4 ROUND LED LIGHT



REF. NO.	PART NUMBER	DESCRIPTION
1	0311523	CLEAR/AMBER 3/4 ROUND LED LIGHT

Section VI - PARTS

LIGHT KIT



REF. NO.	PART NUMBER	DESCRIPTION
1	0308359	MARKER LIGHT RED REFLEX LED



REF. NO.	PART NUMBER	DESCRIPTION
1	0308360	MARKER LIGHT AMBER REFLEX LED

Section VI - PARTS

LIGHT KIT



REF. NO.	PART NUMBER	DESCRIPTION
1	0308969R	MARKER LIGHT RED REFLEX LED



REF. NO.	PART NUMBER	DESCRIPTION
1	0308969A	MARKER LIGHT AMBER REFLEX LED

Section VI - PARTS

LIGHT KIT



REF. NO.	PART NUMBER	DESCRIPTION
1	074027041ACL	MILLENIUM MARKER LIGHT CLEAR/AMBER



REF. NO.	PART NUMBER	DESCRIPTION
1	174027041RCL	MELLIENUM MARKER LIGHT CLEAR/RED

Section VI - PARTS

LIGHT KIT



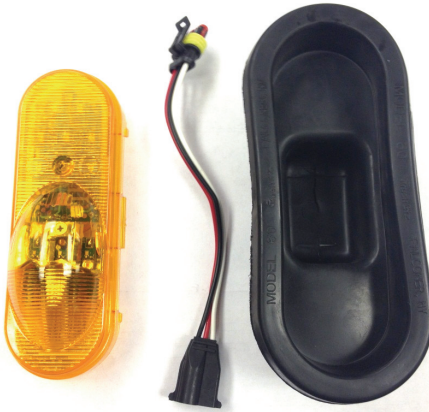
REF. NO.	PART NUMBER	DESCRIPTION
1	0308491	REFLECTOR - AMBER



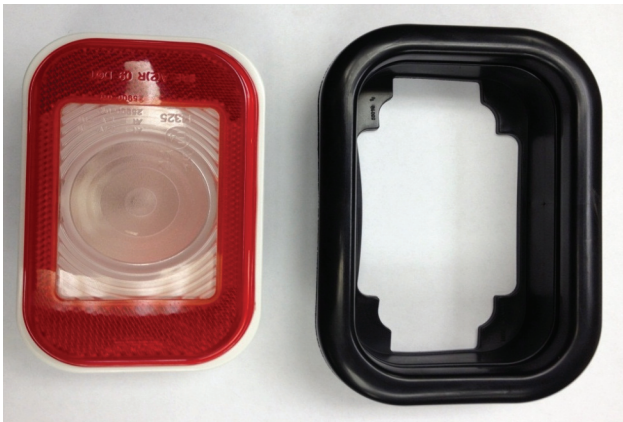
REF. NO.	PART NUMBER	DESCRIPTION
1	0308490	REFLECTOR - RED

Section VI - PARTS

LIGHT KIT



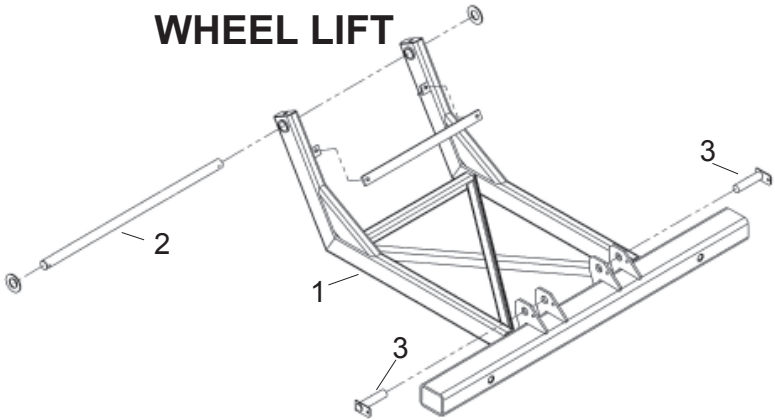
REF. NO.	PART NUMBER	DESCRIPTION
1	0308420	OVAL MID BODY TURN LED
1	0311513	OVAL MID BODY TURN GROMMET



REF. NO.	PART NUMBER	DESCRIPTION
1	0311510	RECTANGULAR REFLEX BACK UP
1	0311511	RECTANGULAR REFLEX BACK UP GROMMET

Section VI - PARTS (cont'd)

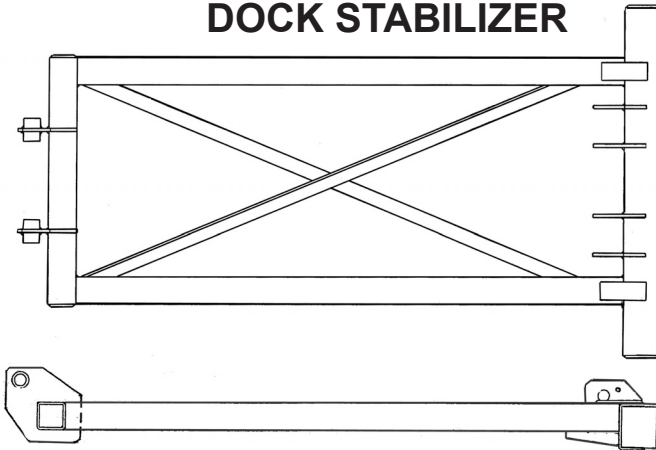
HYDRAULIC STABILIZER FOR WHEEL LIFT



REF. NO.	PART NUMBER	DESCRIPTION
1	0809087	HYDRAULIC STABILIZER FOR WHEEL LIFT
2	0750159	PIVOT PIN
3	0806094	PIN, LIFT CYLINDER
	0302867	CYLINDER, SPACER (NOT SHOWN)

Section VI - PARTS (cont'd)

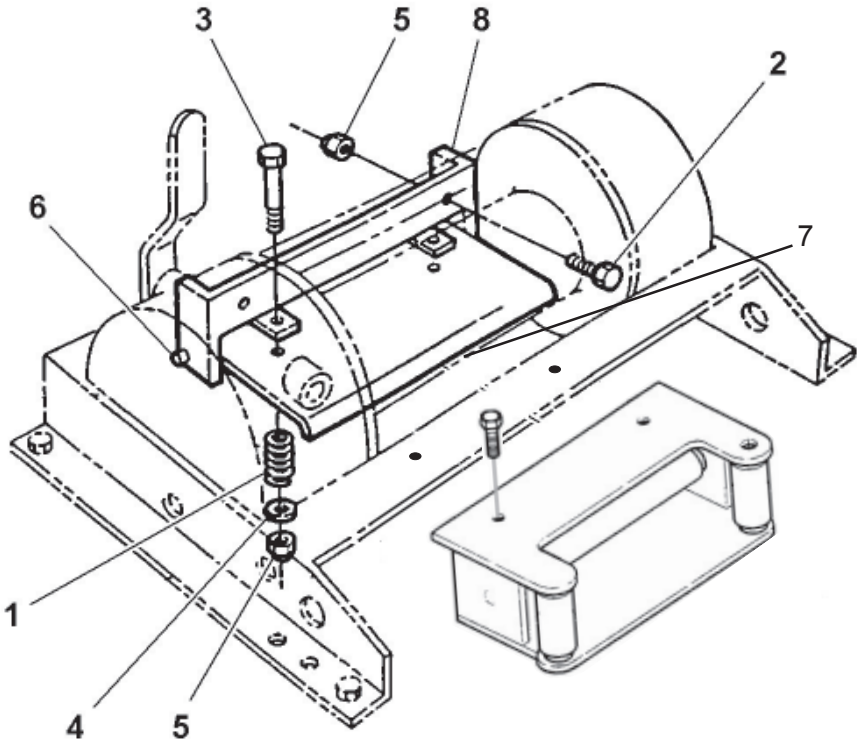
DOCK STABILIZER



REF. NO.	PART NUMBER	DESCRIPTION
1	0805191	DOCK STABILIZER WELDMENT (20/30S)
1	0302867	CYLINDER SPACER (NOT SHOWN)

Section VI - PARTS (cont'd)

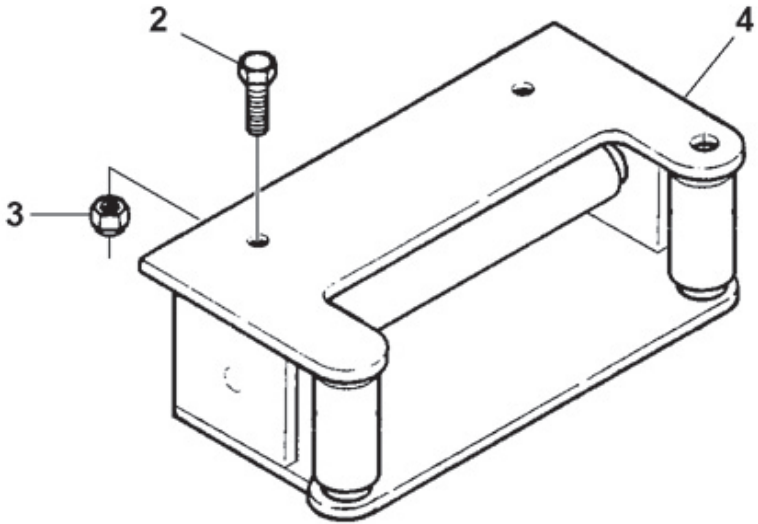
CABLE TENSIONER ASSEMBLY (STANDARD 4-TON WINCH)



REF. NO.	NO. REQ'D	PART NUMBER	DESCRIPTION
1	2	0301729	TENSIONING SPRING
2	2	0400126	SCREW, 3/8"-16 x 1" HEX HD CAP
3	2	0400130	SCREW, 3/8"-16 x 3-1/2" HEX HD CAP
4	2	0400480	WASHER, 3/8" FLAT
5	4	0400392	NUT, 3/8"-16 HEX NYLOK
6	2	0400554	ROLL PIN, 3/8" x 1"
7	1	0800908	TENSIONING PLATE
8	1	0800909	CABLE TENSIONER BRACKET
	1	124001329	CABLE TENSIONER ASSEMBLY

Section VI - PARTS (cont'd)

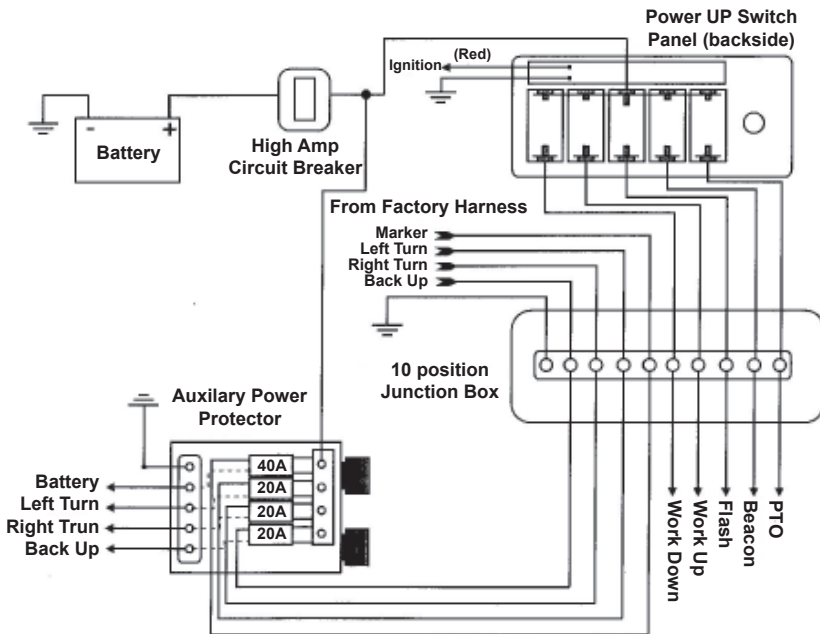
CABLE ROLLER ASSEMBLY



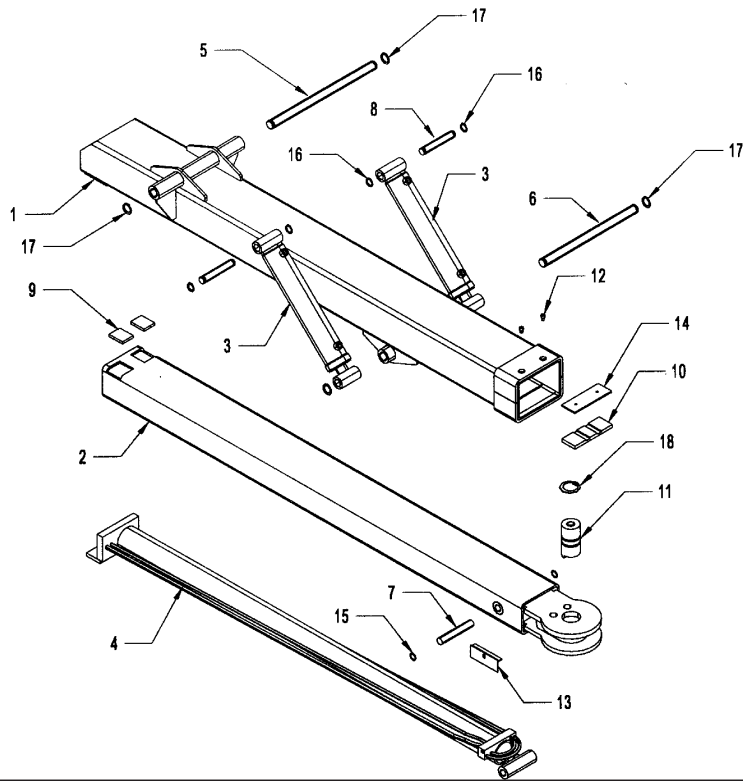
REF. NO.	NO. REQ'D	PART NUMBER	DESCRIPTION
1	--	0900892	CABLE ROLLER ASSEMBLY
2	2	0400177	SCREW, 1/2"-13 x 1-1/4" HEX HD
3	2	0400408	NUT, 1/2"-13 NYLOK
4	1	0805037	CABLE ROLLER GUIDE WELDMENT
-	1	0720285	MOUNTING PLATE (NOT SHOWN)

Section VI - PARTS (cont'd)

OPTIONAL DASHBOARD PANEL

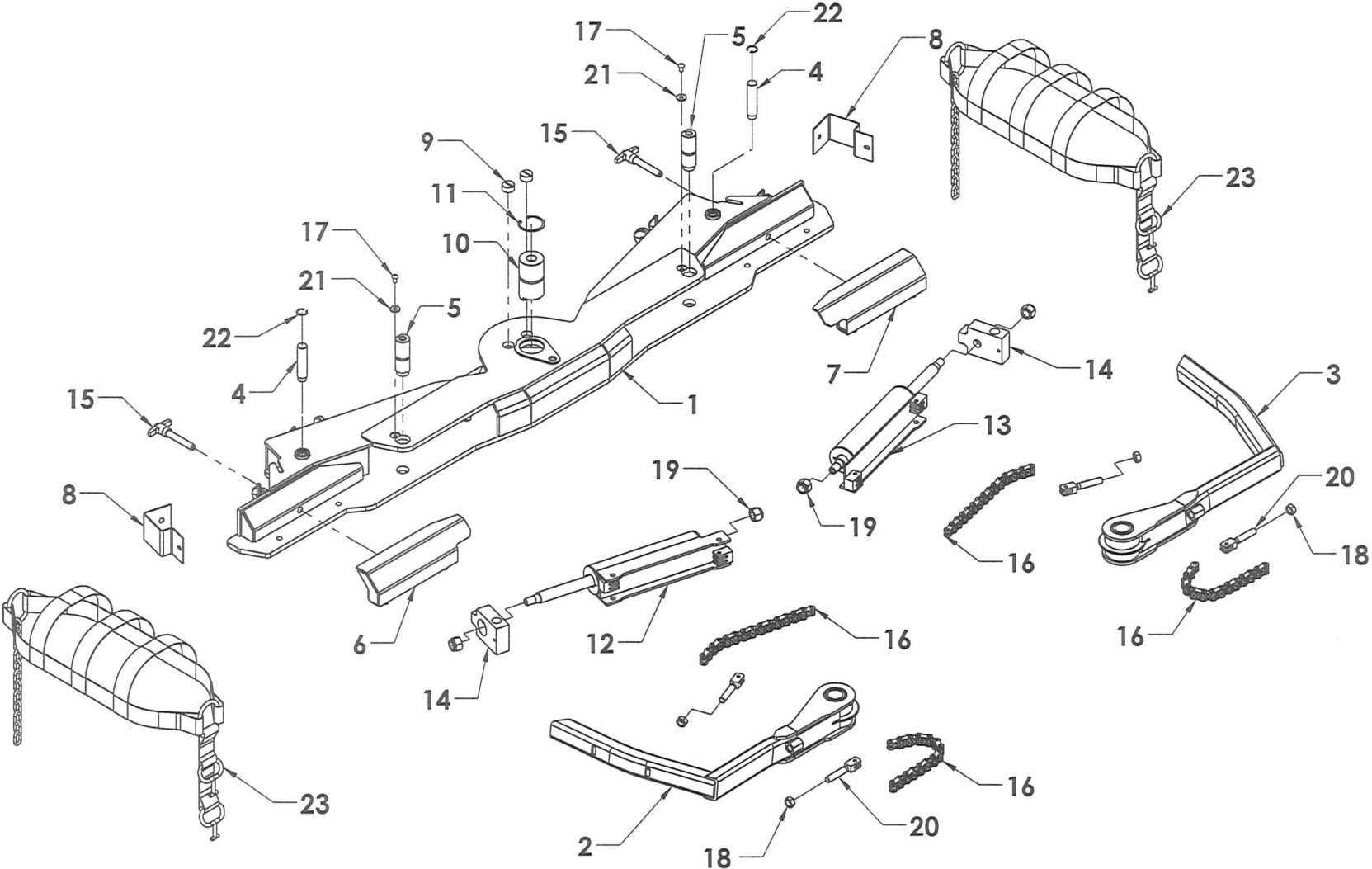


Section V I- PARTS (cont'd)
AUTOGRIP II COMPONENTS



REF NO.	NO REQ'D	PART NUMBER	DESCRIPTION
1	1	102512	WHEEL LIFT TUBE - OUTER
2	1	102522	WHEEL LIFT TUBE - INNER
3	2	72135	WHEEL LIFT LIFT CYLINDER
4	1	72129	WHEEL LIFT EXTENSION CYLINDER
5	1	14518	WHEEL LIFT PIVOT PIN
6	1	14519	LIFT CYLINDER PIVOT PIN
7	1	72940	CYLINDER ROD PIN .980 x 6-5/8
8	2	17190	CYLINDER BASE PIN .980 x 5-7/8
9	2	65612	NYLATRON WEAR PAD
10	1	65611	NYLATRON WEAR PAD-GROOVED1
11	1	644402	CROSSBAR PIVOT PIN 2-1/2 DIAMETER
12	2	812A5	SOCKET HEAD BUTTON - 3/8 x 1/2
13	2	64358	HOSE CLAMP
14	1	65616	SHIM 1
15	2	86100I	SNAP-RING 1.00 INTERNAL
16	4	86100E-1	SNAP-RING 1.00 EXTERNAL-7200
17	4	86125E-1	SNAP-RING 1.25 EXTERNAL-7220
18	1	86250I	SNAP-RING 2.500 INTERNAL

Section VI - PARTS (cont'd)
AUTOGRIP II CROSSBAR COMPONENTS

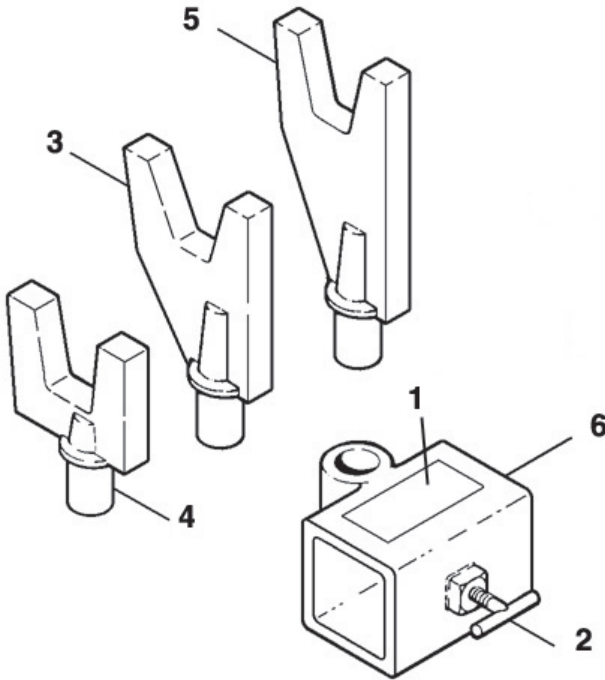


Section VI - PARTS (cont'd)**AUTOGRIP II CROSSBAR COMPONENTS**

REF NO.	NO REQ'D	PART NUMBER	DESCRIPTION
1	1	644002	CROSSBAR WELDMENT
2	1	644352CL	WHEEL RETAINER - LEFT
3	1	644352CR	WHEEL RETAINER - RIGHT
4	2	644432	WHEEL RETAINER CYLINDER PIN
5	2	644452	ARM PIVOT PIN
6	1	697402L	WHEEL SPACER - LEFT
7	1	697402R	WHEEL SPACER - RIGHT
8	2	644292	HOSE GUARD
9	2	64327	SCREW-PLUG CROSSBAR DETENT
10	1	644402	CROSSBAR PIN
11	1	862501	SNAP RING 2.500 INCH INTERNAL
12	1	720152L	WHEEL RETAINER CYLINDER - LEFT
13	1	720152R	WHEEL RETAINER CYLINDER - RIGHT
14	2	727162	L-ARM CYLINDER END BLOCK
15	2	84291	T-PIN 5/8 x 3
16	4	87440	AUTOGRIP ARM CHAIN
	4	81127	5/16 x 1-1/4 SHOULDER SHCS 1/4-20 UNC
	4	83105	1/4-20 UNC NYLON LOCK NUT
17	2	812A5	3/8 ALLEN BOLT
18	4	83411	5/8 NYLON LOCK NUT
19	2	83520	3/4 NYLON LOCK NUT
20	4	64441	CHAIN CLEVIS
	4	81126	5/16 x 1 SHOULDER SHCS 1/4-20 UNC
	4	83105	1/4-20 UNC NYLON LOCK NUT
21	2	82110	5/16 FLAT WASHER
22	2	86100I	SNAP-RING 1.000 INCH INTERNAL
23	2	65286	BASKET TIRE STRAP - AUTO
	2	66287	BASKET TIRE STRAP - TRUCK

Section VI - PARTS (cont'd)

OPTIONAL LIFT ADAPTERS



REF. NO.	NO. REQ'D	PART NUMBER	DESCRIPTION
1	2	0500241	DECAL, SAFETY CHAIN WARNING
2	2	0800590	"T" HANDLE
3	2	0800857	FORK WELDMENT, MEDIUM
4	2	0800858	FORK WELDMENT, SHORT
5	2	0800859	FORK WELMENT, LONG
6	2	0800861	FORK LIFT ADAPTER