

CHEVRON



**OWNER'S MANUAL
INDUSTRIAL
SERIES 30 LCG
DUAL REAR WHEELS
LONG CB
INSTALLATION, OPERATION, MAINTENANCE & PARTS**

**NOTE: MANUAL including SPECIFICATIONS, subject to change without notice.
All ratings specified are based on structural factors only,
not vehicle capacities or capabilities.**

CHEVRON

Carriers & Wreckers
7320 W. Market Street
Mercer, PA 16137
Phone (724) 981-7500 • FAX (724) 981-4425
Toll Free (800) 886-6400
<http://www.chevroninc.com>

Section V - PARTS

This Section is provided by the manufacturer for the purpose of ordering any component part of the **Industrial LCG Series Car Carrier** that may be required when part replacement is necessary. Be certain to use only original equipment replacement parts for warranty purposes as well as for keeping your **Industrial LCG Series Car Carrier** in its original state and optimum operating capacities.

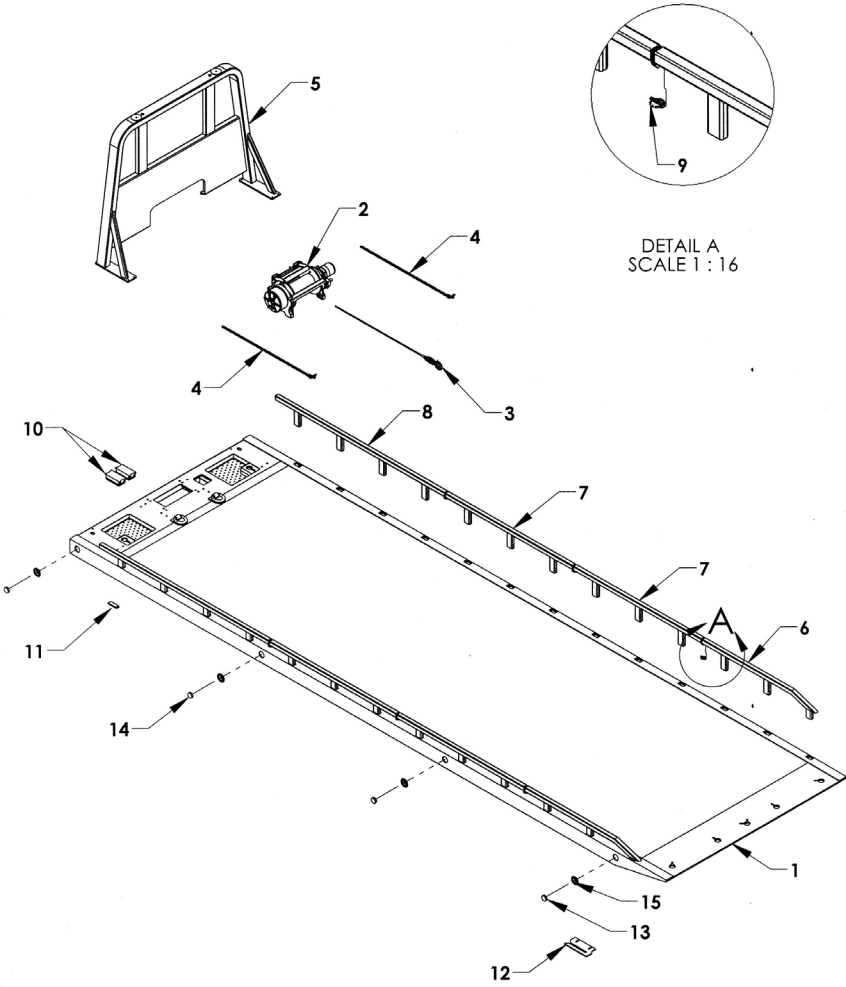
When ordering replacement or spare parts be sure to provide the following information to your carrier manufacturer authorized representative.

1. **Manual Number & Date of Publication**
2. **Manual Page Number**
3. **Page Title**
4. **Reference Number of Part Desired**
5. **Part Number**
6. **Part Description**
7. **Quantity of Part Desired**

Providing this information will help ensure that the correct parts will be delivered to you in an expedient manner without delay. Should additional information be required for repair or replacement of certain components, contact **Chevron Inc. Mercer, PA, Phone: 724-981-7500, FAX 724-981-4425.**

The Manufacturer reserves the right, without notice or obligation, to improve or modify their products, which may change the specifications, models and feature availability.

Section V - PARTS (cont'd)
SERIES 30 LCG DRW BED ASSEMBLY
REMOVABLE TUBE RAIL

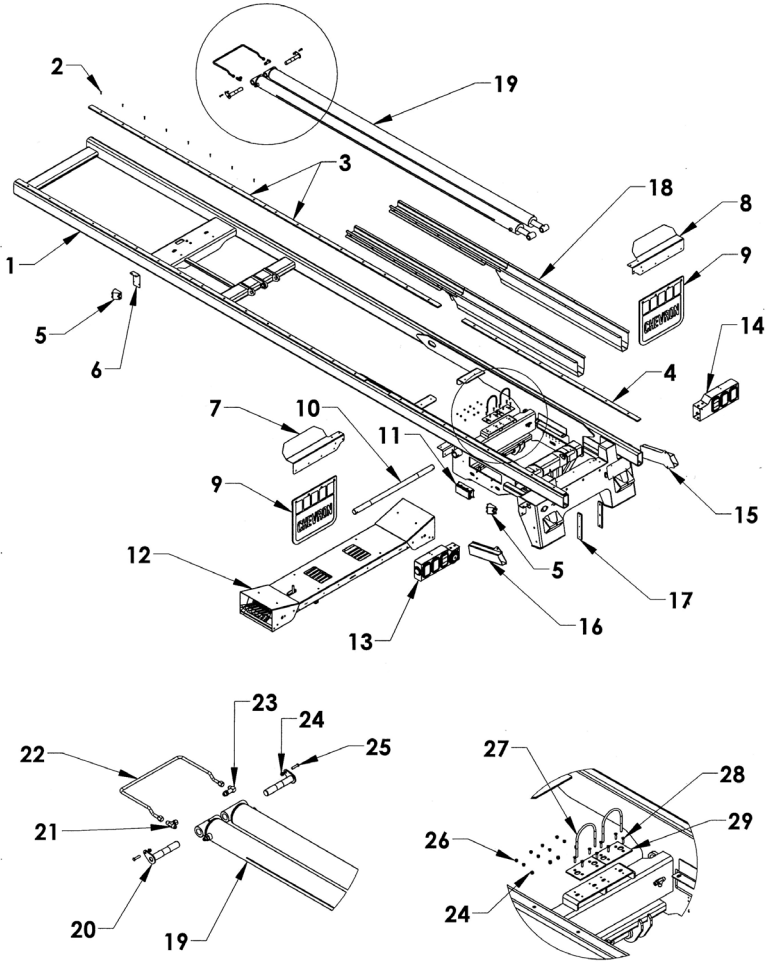


Section V - PARTS (cont'd)
SERIES 30 LCG DRW BED ASSEMBLY
REMOVABLE TUBE RAIL

REF. NO.	QPU	PART NUMBER	DESCRIPTION
1	1	3028430LDXXX-FW1	SERIES 30 INDUSTRIAL LCG BED WELDMENT
2	1	7112014	10 TON WARN WINCH ASSEMBLY
	1	7113014	15 TON WARN WINCH ASSEMBLY
3	1	0306034	WINCH CABLE ASSEMBLY - 9/16 x 75 FT
4	2	0301932	FRONT SAFETY CHAIN ASSEMBLY - 5/16 x 8'
5	1	35FL050	LCG CAB PROTECTOR WELDMENT - 50 INCHES
	1	35FL052	LCG CAB PROTECTOR WELDMENT - 52 INCHES
	1	35FL056	LCG CAB PROTECTOR WELDMENT - 56 INCHES
	1	35FL060	LCG CAB PROTECTOR WELDMENT - 60 INCHES
	1	35FL063	LCG CAB PROTECTOR WELDMENT - 63 INCHES
	1	35FL065	LCG CAB PROTECTOR WELDMENT - 65 INCHES
	1	35FL068	LCG CAB PROTECTOR WELDMENT - 68 INCHES
6	2	346064	REAR REMOVABLE TUBE RAIL - STEEL (3 POST)
7	2	346071M	MID REMOVABLE TUBE RAIL - STEEL (3 POST)
8	2	346095F	FRONT REMOVABLE TUBE RAIL - STEEL (4 POST)
9	6	0306070	LYNCH PIN
10	2	98710	JUNCTION BOX - 10 POST
11	2	33415	BEARING PAD-LOWER MAIN SILL
12	1	33813	ANTI-TILT PLATE
13	2	0311512	LED MARKER LIGHT, RED
14	6	0311513	LED MARKER LIGHT, AMBER
15	8	0311516	GROMMET, ROUND RUBBER

Section V - PARTS (cont'd)

30 LCG SUBFRAME GROUP DUAL REAR WHEELS & LONG CB



Section V - PARTS (cont'd)

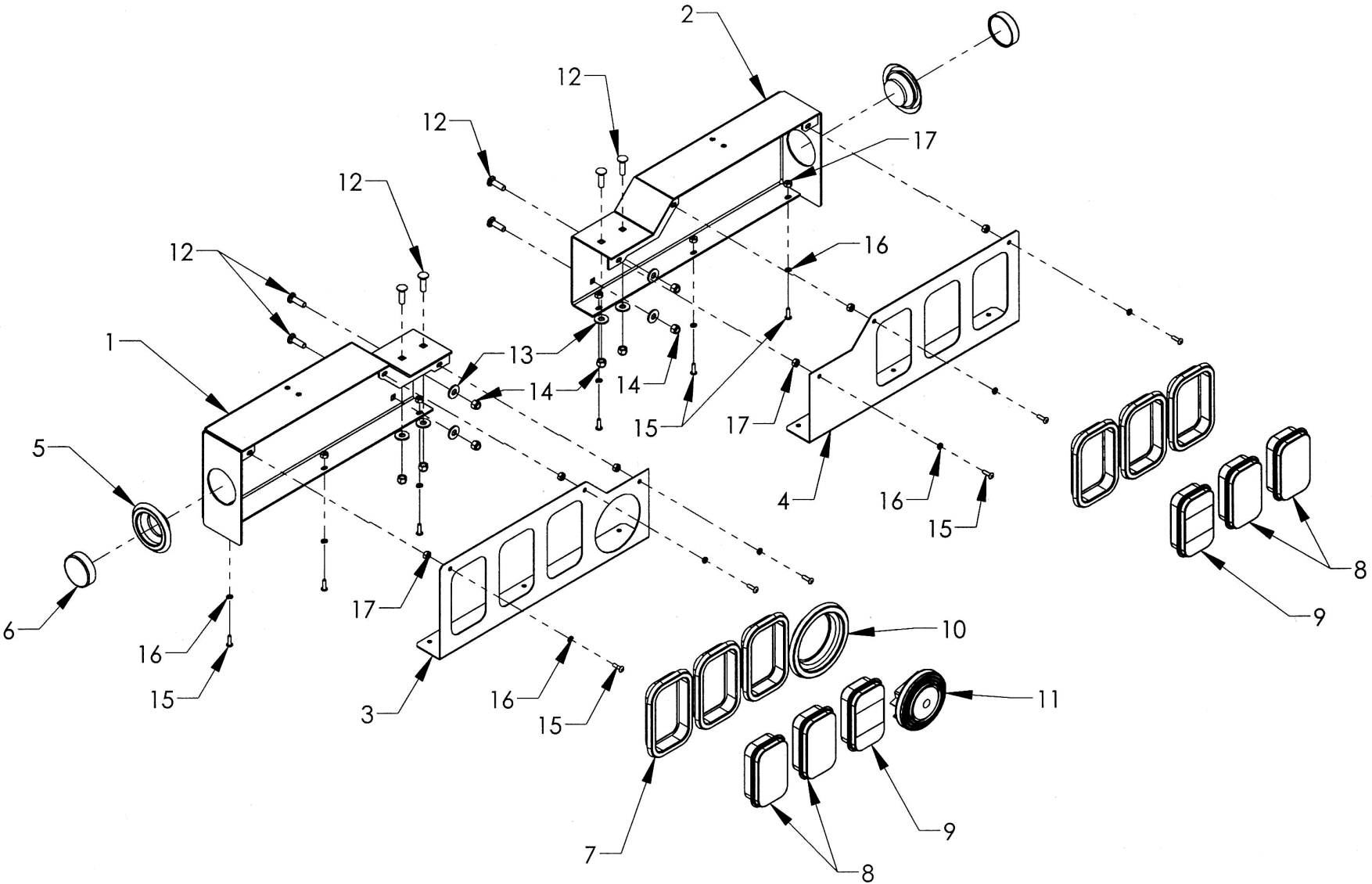
**30 LCG SUBFRAME GROUP-DUAL REAR WHEELS &
LONG CB**

REF NO.	PART #	DESCRIPTION	QTY
1	0809867-XX	S30 LCG DRW SUBFRAME	1
2	81121	BOLT, 5/16-18 UNC - ALLEN COUNTERSUNK	60
3	33308R	WEAR STRIP 1/2 x 2 x 96	4
4	33308N	WEAR STRIP 1/2 x 2 x 96	2
5	74345	DUAL COUNTERBALANCE VALVE	2
6	13063-30	COUNTERBALANCE VALVE MTG PLATE - 30 LCG DRW	1
7	0751024-29L	WIDE ALUM SPLASH GUARD LEFT REAR RGT FRONT	1
8	0751024-29R	WIDE ALUM SPLASH GUARD RGT REAR LEFT FRONT	1
9	A1027	CHEVRON MUDFLAP	2
10	0751264	20 LCG SUBFRAME HINGE PIN 1.975 x 43.375	1
11	98710	JUNCTION BOX	1
12	183126	LCG CONTROL STATION	1
13	0940327L	CHEVRON LCG GEN 2 TAIL LIGHT HOUSING GROUP - L	1
14	0940327R	CHEVRON LCG GEN 2 TAIL LIGHT HOUSING GROUP - R	1
15	1605610R	L-ARM STORAGE TUBE 6000# - RIGHT	1
16	1605610L	L-ARM STORAGE TUBE 6000# - LEFT	1
17	0750409	STABILIZER WHEEL LIFT GUIDE PAD	2
18	0940323	30 LCG SINGLE BAY HOSE TROUGH	2
19	72A40120	30 LCG SLIDEBACK CYLINDER - 132 STROKE	2
20	1302720A	20 LCG SLIDEBACK CYLINDER PIN WELDMENT	2
21	ADAPTER	ADAPTER - 203101 - 08 x 08	1
22	72H30FT	30 LCG S/B CYLINDER FLUID PIPE ASSEMBLY	1
23	ADAPTER	ADAPTER 206209 - 08 x 08	1
24	-	NYLON LOCK NUT - 3/8-16 UNC	6
25	-	BOLT, HHCS 3/8-16 UNC x 1-1/2	2
26	-	BOLT - 1/4-20 UNC x 1-1/4 - ALLEN COUNTERSUNK	8
27	81287	U-BOLT, 3/8-16 UNC - 4.562 x 6	2
28	-	BOLT - 1/4-20 UNC x 1-1/4	8
29	0751223	LCG 12/16/20 S/B CYLINDER SUPPORT PAD	2
30	0809975	SUBFRAME ALIGNMENT GUIDE	2

NOTE:

To order a replacement subframe, provide the carrier serial number. Series 30 subframes are built to order to fit specific chassis cab-to-bogie, crossmember, and suspension geometry to avoid chassis modifications. Serial number look-up provides the subframe construction geometry regarding the hinge and cylinder box locations.

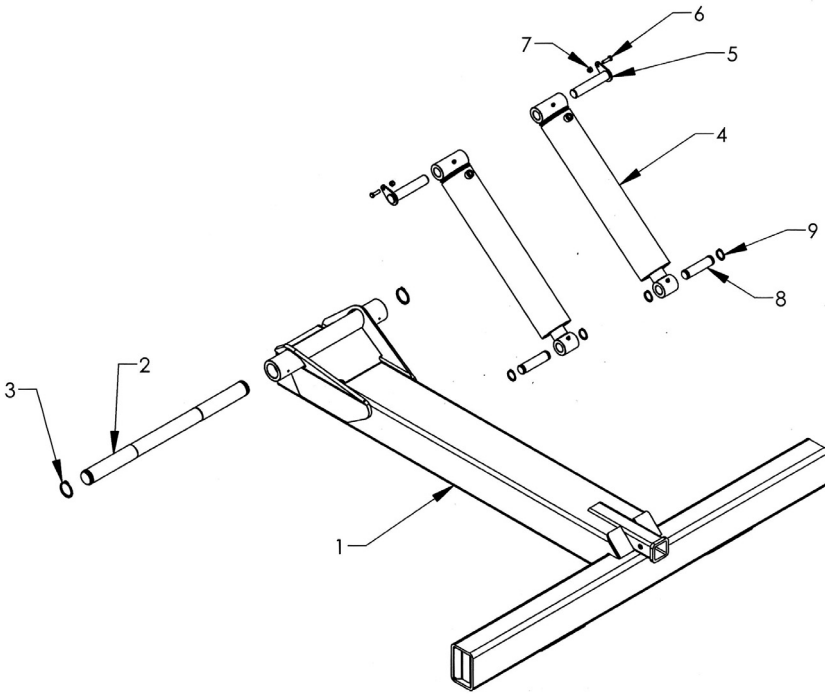
**Section V - PARTS
TAIL LIGHT COMPONENTS**



Section V - PARTS TAIL LIGHT COMPONENTS

REF	PART #	DESCRIPTION	QPU
1	0809470L	TAIL LIGHT HOUSING WELDMENT - LEFT	1
2	0809470R	TAIL LIGHT HOUSING WELDMENT - RIGHT	1
3	0752003L	S30 LCG TAIL LIGHT BEZEL - LEFT G2	1
4	0752003R	S30 LCG TAIL LIGHT BEZEL - RIGHT G2	1
5	0311516	2-1/2 IN. MARKER LIGHT GROMMET	2
6	0311512	2-1/2 IN. RED MARKER LIGHT	2
7	3011511	CARRIER TAIL LIGHT GROMMET	6
8	0311507	CARRIER TAIL LIGHT	4
9	0311510	CARRIER BACK UP LIGHT	2
10	0311528	BACK UP ALARM GROMMET	1
11	0306385	BACK UP ALARM	1
12	-	BOLT, CARRIAGE 3/8-16 UNC x 1-1/4 SS	8
13	-	FLAT WASHER - 3/8	8
14	-	NYLON LOCK NUT 3/8-16 UNC	8
15	-	BOLT, RHMS 1/4-20 UNC x 3/4	12
16	-	LOCK WASHER - 1/4	12
17	-	HEX NUT 1/4-20 UNC	12

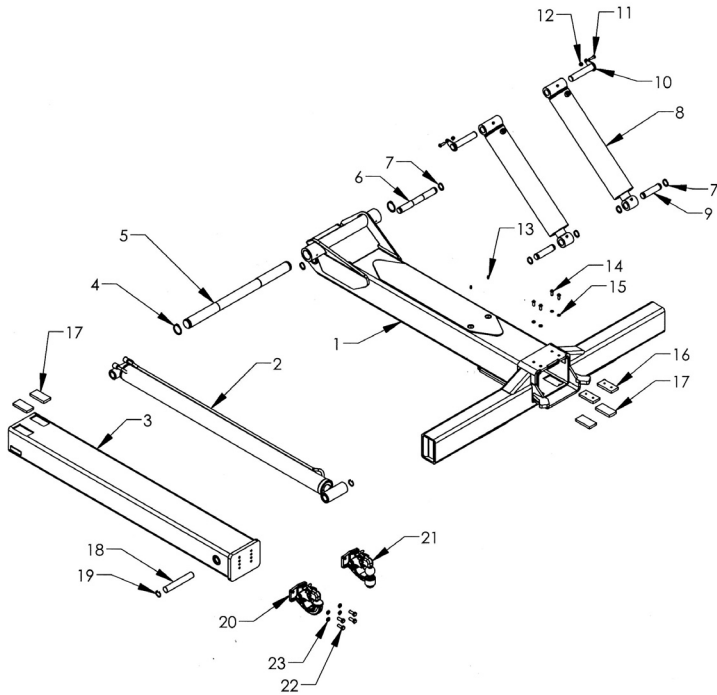
Section V - PARTS (cont'd)
DOCK STABILIZER



REF	PART #	DESCRIPTION	QPU
1	0809673-AMT	4 MT DOCK STABILIZER	1
2	143122	4000/6000 LB. UNDERLIFT HINGE PIN	1
3	86200E	2 INCH EXTERNAL SNAP-RING	2
4	72118	LIFT CYLINDER 4.00 x 2.00 x 18.06	2
5	0809899U	KEEPER PIN 1.230 x 6.000	2
6		BOLT, HHCS 3/8-16 UNC x 1-1/4	2
7		NYLON LOCK NUT 3/8-16 UNC	2
8	16362	KEEPER PIN 1.230 x 5.00	2
9	86125E	1-1/4 EXTERNAL SNAP RING	4

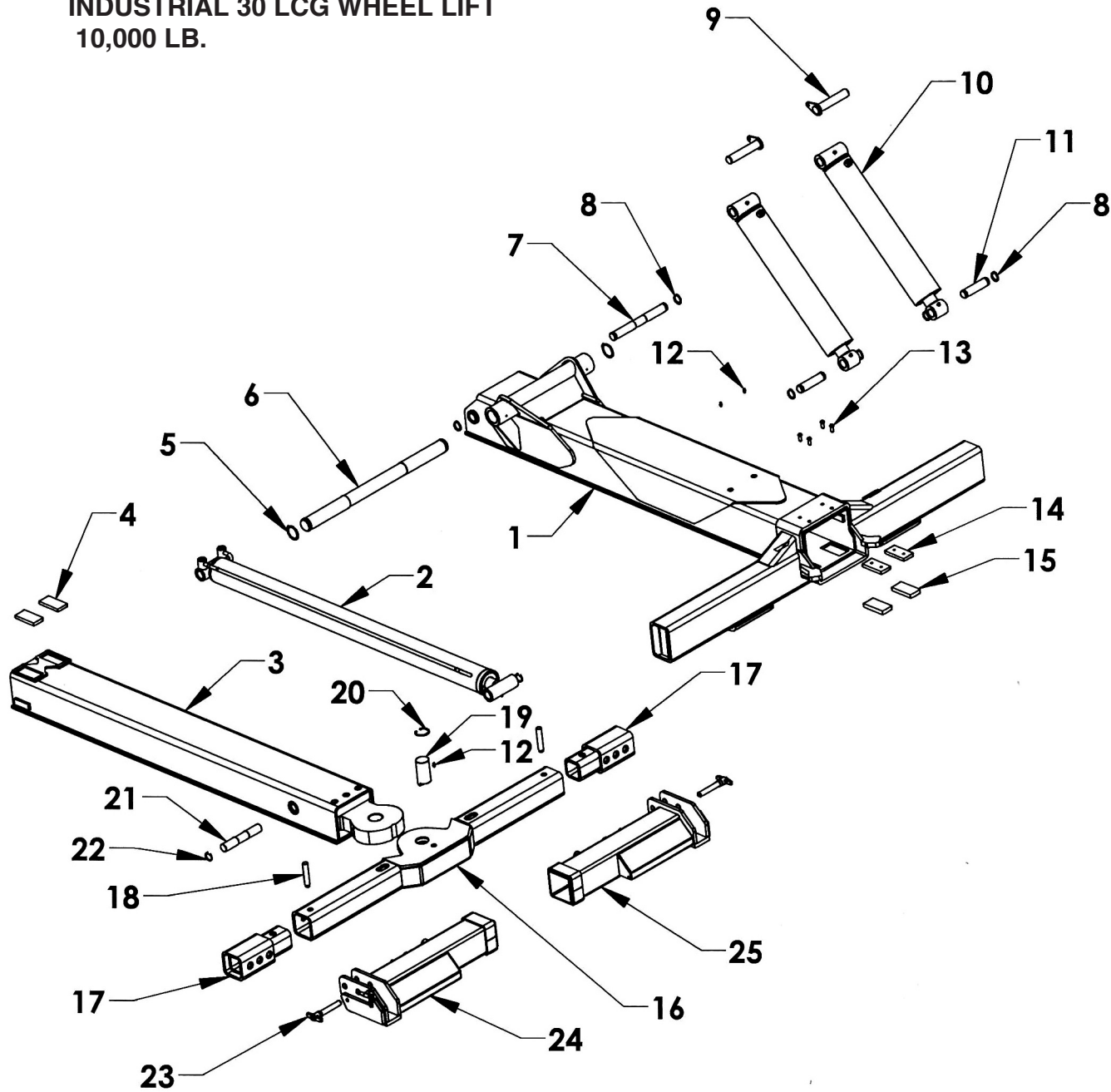
Section V - PARTS (cont'd)

6K TELESCOPING PINTLE



REF	PART #	DESCRIPTION	QPU
1	10260605-4MT	4MT PINTLE BOOM	1
2	72A30052	CYLINDER-STABILIZER/WHEEL LIFT EXTENSION	1
3	10262P-4MT	4MT INNER PINTLE BOOM	1
4	86200E	SNAP RING - 2 " EXTERNAL	2
5	143122	4K/6K UNDERLIFT HINGE PIN	1
6	14313	PIN-W/L EXTENSION CYLINDER BASE END	1
7	86125E	SNAP RING - 1-1/4" EXTERNAL	6
8	72118	LIFT CYLINDER 4.00 x 2.00 x 18.06	2
9	16362	KEEPER PIN 1.230 x 5.00	2
10	0809899U	KEEPER PIN 1.230 x 6.00	2
11		BOLT, HHCS 3/8 -16 UNC x 1-1/4	2
12		NYLON LOCK NUT 3/8-16 UNC	2
13	7B130	GREASE FITTING 1/4-28	2
14		BOLT BHCS 3/8-16 UNC x 1	4
15		3/8 LOCK WASHER	4
16	63595H	WEAR PAD NYLATRON NSM 1/2 x 2 x 4 WITH HOLES	2
17	63595	WEAR PAD NYLATRON NSM 1/2 x 2 x 4	4
18	14314	PIN - W/L EXTENSION CYLINDER ROD END	1
19	86125I	1-1/4" SNAP RING - INTERNAL	2
20	A3020H	PINTLE HOOK ATTACHMENT	1
21	A3020	PINTLE BALL ATTACHMENT	1
22		BOLT, HEX 1/2-13 x 1-1/4	4
23		1/2 LOCK WASHER	4

Section V - PARTS (cont'd)
INDUSTRIAL 30 LCG WHEEL LIFT
10,000 LB.



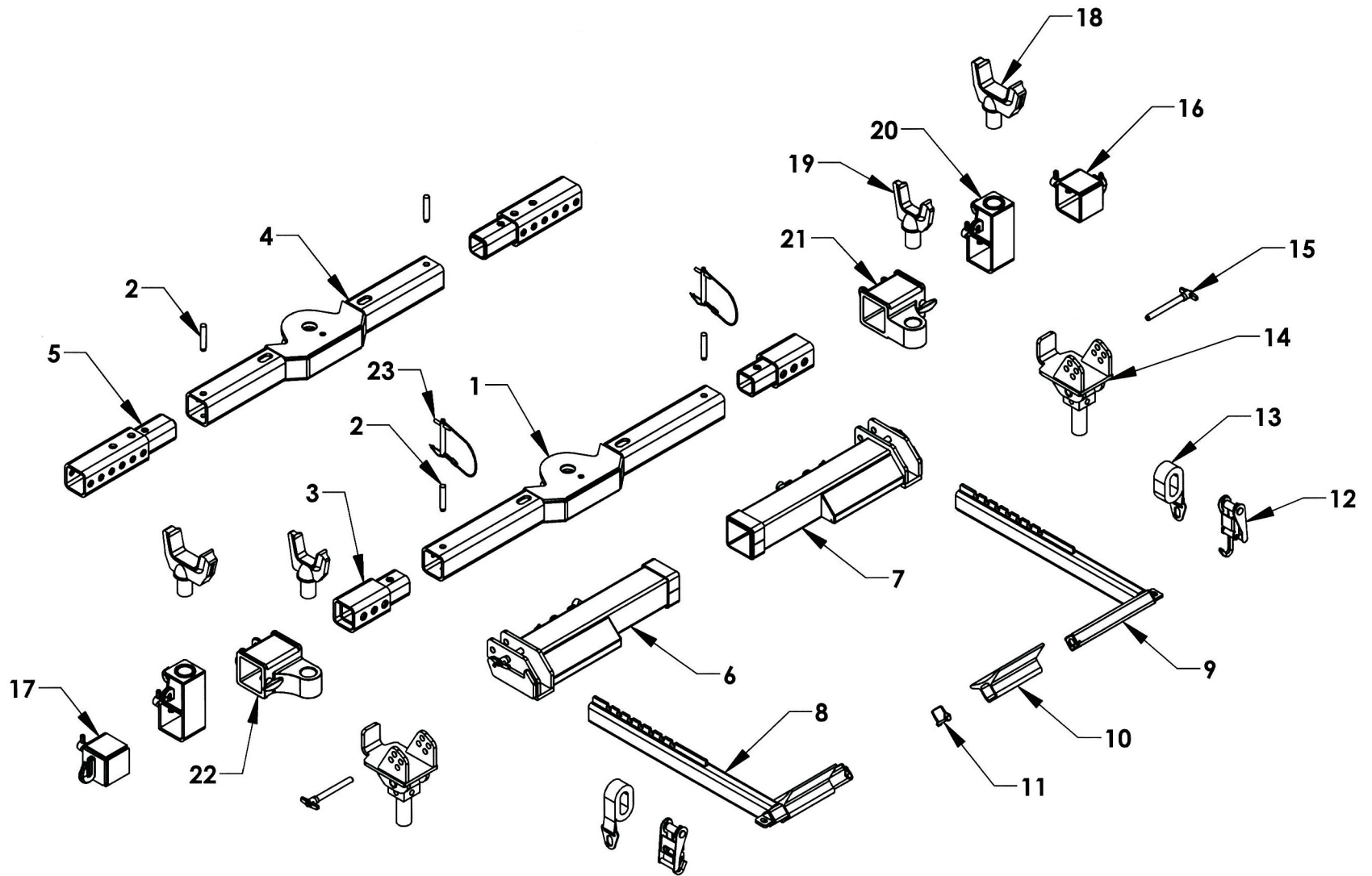
Section V - PARTS

INDUSTRIAL 30 LCG WHEEL LIFT - 10,000 LB.

REF	PART #	DESCRIPTION	QPU
1	0809499-4MT	S40 LCG OUTER BOOM WELDMENT-4MT	1
2	72A35048	10K UNDERLIFT EXTEND CYLINDER 3/5 x 48	1
3	14430C-4MT	S40 LCG INNER BOOM CHANNEL-4MT	1
4	63595	WEAR PAD NYLATRON NSM 1/ x 2 x 4	2
5	86200E	SNAP RING - 2" EXTERNAL	2
6	143122	4K/6K UNDERLIFT HINGE PIN	1
7	14413	PIN WHEEL LIFT EXTENSION CYLINDER BASE END	1
8	86125E	SNAP RING 1-1/4" EXTERNAL	6
9	0809899U	KEEPER PIN 1.230 x 6.00	2
10	72118	WHEEL LIFT CYLINDER	2
11	16362	KEEPER PIN	2
12	7B130	GREASE FITTING 1/4-28	3
13		BOLT, BHCS 3/8-16 UNC x 1	4
14	63595H	WEAR PAD NYLATRON NSM 1/2 x 2 x 4 WITH HOLES	2
15	0750505	BEARING PAD 5/8 x 2 x 4	2
16	658102	CROSSBAR WELDMENT	1
17	68530	CROSSBAR EXTENSION	2
18	66245	CROSSBAR EXTENSION PIN	2
19	66430	CROSSBAR PIVOT PIN	1
20	86200I	SNAP RING - 2" INTERNAL	1
21	14412	KEEPER PIN	1
22	86125I	SNAP RING 1-1/4" INTERNAL	2
23	84922	T-PIN 3/4 x 3-1/2" QUICKPIN	2
24	66267L	WHEEL GRID ASSEMBLY - LEFT	1
25	66267R	WHEEL GRID ASSEMBLY - RIGHT	1

Section VI - PARTS

6K/10K UNDERLIFT ATTACHMENTS



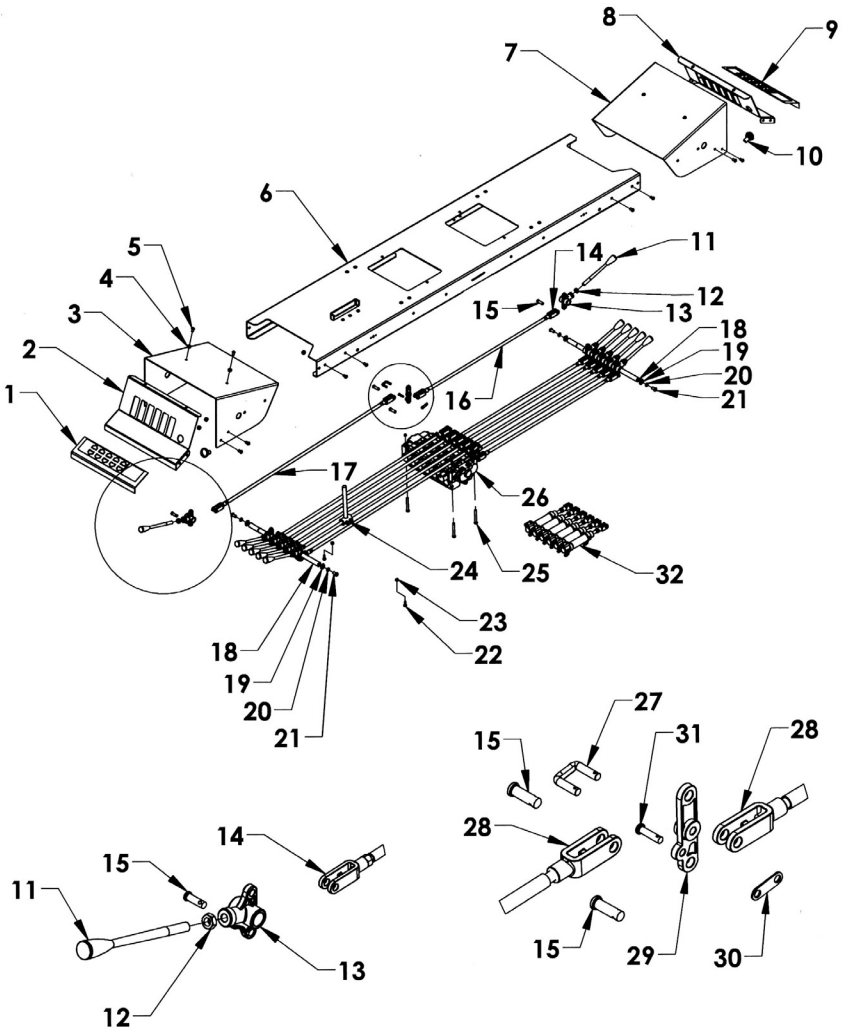
Section V - PARTS

6K/10K UNDERLIFT ATTACHMENTS

REF	PART #	DESCRIPTION	QPY
1	685102	CROSSBAR 4 x 4 x 53.25	1
2	68545	CROSSBAR EXTENSION PIN	2
3	68530	CROSSBAR EXTENSION	2
4	616090	CROSSBAR 4 x 4 x 44.625 (OPT)	1
5	6460950	CROSSBAR EXTENSION (OPT)	2
6	68260L	WHEEL GRID-LEFT	1
7	68260R	WHEEL GRID - RIGHT	1
8	66250L	6000 LB. L-ARM - LEFT	1
9	66250R	6000 LB. L-ARM - RIGHT	1
10	65245	REMOVABLE PAN	2
11	84911	5/16 SAFETY SNAP PIN	2
12	65280A	WHEEL LIFT RATCHET & HOOK ASSEMBLY	2
13	65285	WHEEL STRAP WITH D-RING	2
14	66320	SPRING SHACKLE ADAPTOR (OPT)	2
15	84923	T-PIN .75 x 6	2
16	66A210R	CROSSBAR END HOOK - RIGHT (OPT)	1
17	66A210L	CROSSBAR END HOOK - LEFT (OPT)	1
18	663545 (0200019)	FRAME FORK SHORT 4-1/2 IN. CAST (OPT)	2
19	663530 (0200018)	FRAME FORK - 3 INCH CAST (OPT)	2
20	66330	ELEVATED FORK HOLDER (OPT)	2
21	66285R (0803580)	OFFSET FORK HOLDER - CAST - RIGHT (OPT)	1
22	66285L (0803581)	OFFSET FORK HOLDER - CAST - LEFT (OPT)	1
23	0902378	RETAINER PIN (USE W/OFFSET CAST FORKS HLDRS)	1

Section V - PARTS

6-SPOOL CONTROL STATION



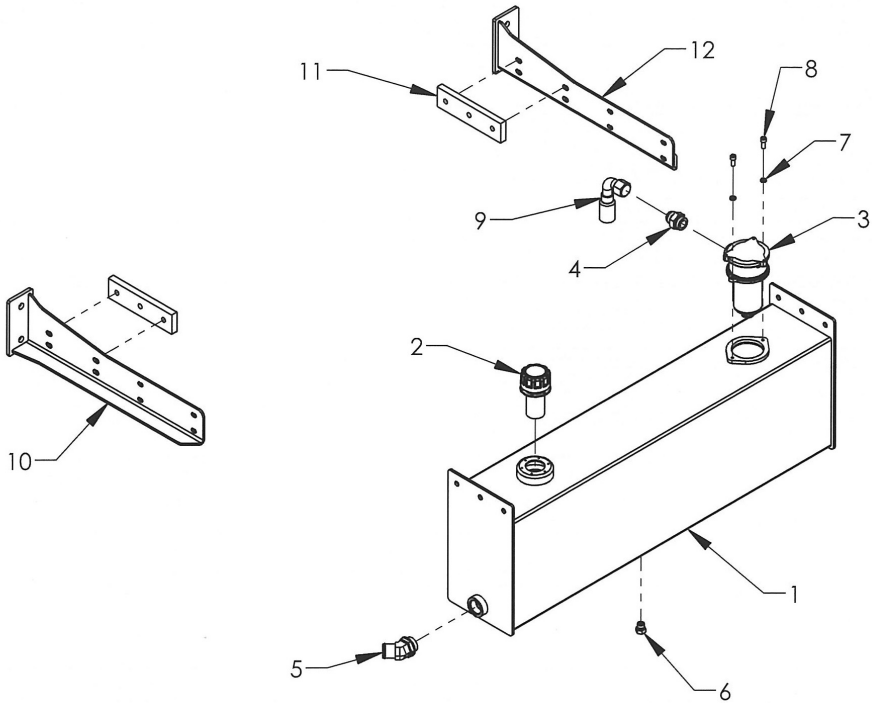
Section V - PARTS

6-SPOOL CONTROL STATION

REF. NO.	NO. REQ'D	PART NUMBER	DESCRIPTION
1	1	18212L/18214L	5 SPOOL/6 SPOOL CONTROL PLACARD-LEFT
2	1	18126L	CONTROL PANEL - LEFT
3	1	181273L	CONTROL HOOD - LEFT
4	23		NYLON LOCK NUT 5/16-18 UNC
5	16		BOLT, BUTTON HEAD 5/16-18 UNC x 5/8
6	1	181286W	CONTROL BOX ARM WELDMENT - 79.5 IN.
7	1	181273R	CONTROL HOOD - RIGHT
8		18126R	CONTROL PANEL - RIGHT
9	1	18212R/18214R	5 SPOOL/6 SPOOL CONTROL PLACARD - RIGHT
10	1	0320031	CONTROL LIGHT - 2 WIRE
11	2	0320048-GR	GREEN CONTROL HANDLE
	4	0320048-BL	BLUE CONTROL HANDLE
	2	0320048-RD	RED CONTROL HANDLE
	4	0320048-GY	GREY CONTROL HANDLE
12	12		JAM NUT 1/2-13 UNC ZINC PLATE
13	12	7A1155	CONTROL HANDLE PIVOT BASE
14	12	84530	CLEVIS - RIGHT HAND THREAD
15	24	84620	CLEVIS PIN, 3/8 x 1-1/8
16	6	7A528W	CONTROL ROD 28-1/2
17	6	7A538W	CONTROL ROD 37-3/4
18	2	7A5753-17	CONTROL HANDLE CROSS ROD 3/4 x 17
19	4	86075E	SNAP RING 3/4 EXTERNAL
20	4		LOCK WASHER 3/8
21	4		BOLT, BUTTON HEAD 3/8-16 UNC x 3/4
22	4		BOLT, HHCS 1/4-20 UNC x 3/4
23	4		NYLON LOCK NUT 1/4-20 UNC
24	1	0809904	ANTI-TILT CONTROL ROD WELDMENT
25	3		BOLT, HHCS 5/16 -18 UNC x 2-3/4
26	1	74116	VALVE BODY GRESSEN 6 SPOOL
27	6	7A010LINK	CLEVIS LINK
28	12	84540	CLEVIS - LEFT HAND THREAD
29	6	7A121	BELL CRANK
30	6	7A010LINKPLATE	CLEVIS LINK PLATE
31	6	84610	CLEVIS PIN, 1/4 x 15/16
32	6	PC32B50	AIR CYLINDER - 2 IN. STROKE

Section V - PARTS

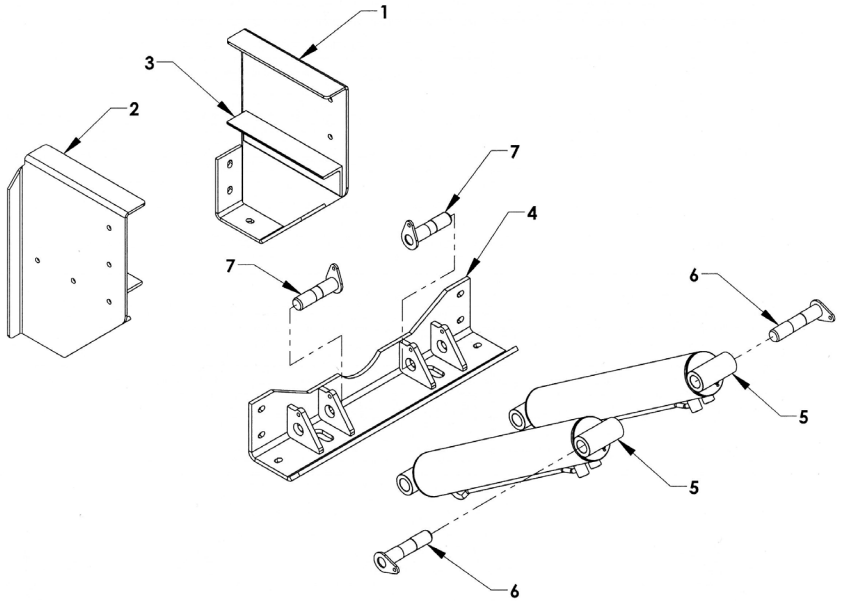
OUTBOARD 24 GALLON HYDRAULIC TANK GROUP



REF	PART #	DESCRIPTION	QPU
1	0809490	OUTBOARD 24 GALLON OIL RESERVOIR	1
2	76213G	FILLER/BREATHER CAP ASSEMBLY	1
3	76270	IN-TANK FILTER ASSEMBLY #16 SAE PORT	1
4	ADPTR202702 16x16	ADAPTOR 202702 16x16	1
5	ADPTR2061 20x24H	ADAPTOR 2061 20x24H	1
6	0403113	#8 O-RING PLUG - ADAPTOR 900598-8	1
7	82220	LOCK WASHER 3/8	2
8	81212	CAP SCREW 3/8-16 UNC x 7/8 SS	2
9	HOSEEND-16H-16JICF90	HOSE END - 16H - 16JICF90	1
10	37855R	UNV. TOOLBOX & OIL TNK MTG.BRKT-R	1
11	12826	TOOLBOX SHIM (FOR 49 IN. ALUM. BOX)	2
12	37855L	UNV. TOOLBOX & OIL TNK MTG BRKT-L	1

Section V - PARTS

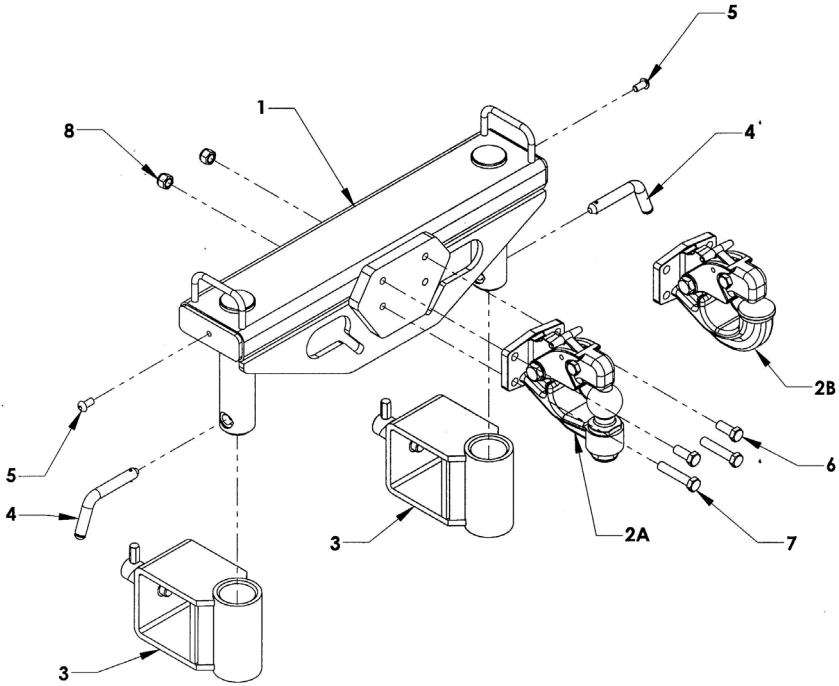
30 LCG TILT CYLINDER COMPONENTS (TRI-AXLE CONFIGURATION)



REF	PART #	DESCRIPTION	QPU
1	1A510TR	TILT CYLINDER SADDLE TRI-AXLE 28 IN. - RIGHT	1
	1A570R	TILT CYLINDER SADDLE TRI-AXLE 26 IN. - RIGHT	1
2	1A510TL	TILT CYLINDER SADDLE TRI-AXLE 28 IN. - LEFT	1
	1A570L	TILT CYLINDER SADDLE TRI-AXLE 26 IN. - RIGHT	1
3	1A514	UNDERFRAME SUPPORT ANGLE	2
4	1A550	CONNECTING ANGLE - LCG	1
5	72A450335	TILT CYLINDER 4.50 x 33.5	2
	72a450375	TILT CYLINDER 4.50 x 37.5	2
6	0809477	TILT CYLINDER BASE PIN	2
7	1A555	TILT CYLINDER ROD PIN	

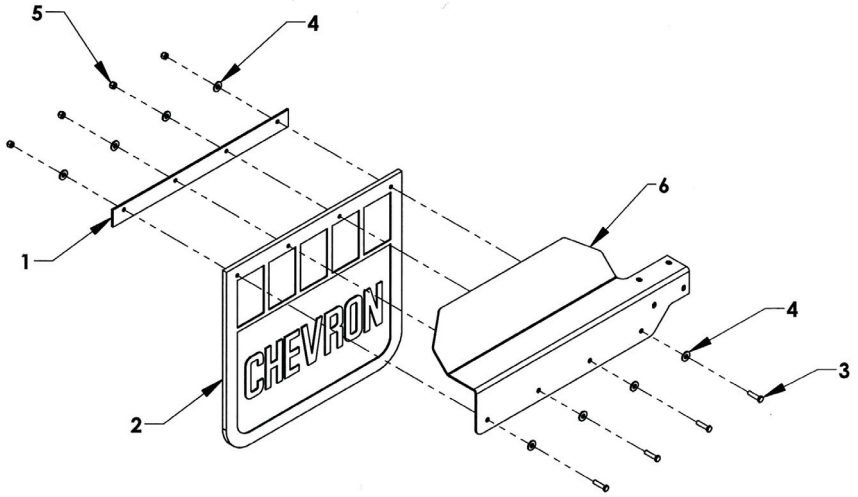
Section V - PARTS

PINTLE ATTACHMENT GROUP



REF	PART #	DESCRIPTION	QPU
	66370G	PINTLE HITCH GROUP	1
1	66370W	PINTLE HITCH WELDMENT	1
2A	A3020	TOW BALL PINTLE HITCH	1
2B	A3020H	PINTLE HOOK	1
3	66280	FORK HOLDER - 4 IN. CROSSBAR	2
	65460	FORK HOLDER - 3-1/2 IN. CROSSBAR	2
4	66378	RETAINING PIN	2
5	812A6	3/8 X 5/8 BUTTONHEAD BOLT	4
	5A220	LANYARD	2
6	81428	BOLT 1/2-13 X 1.25 GRADE 8 SECURE WITH LOCTITE	2
7	81449	BOLT 1/2-13 x 2.5 GRADE 8	2
8	82312	1/2-13 NUT NYLOK	2

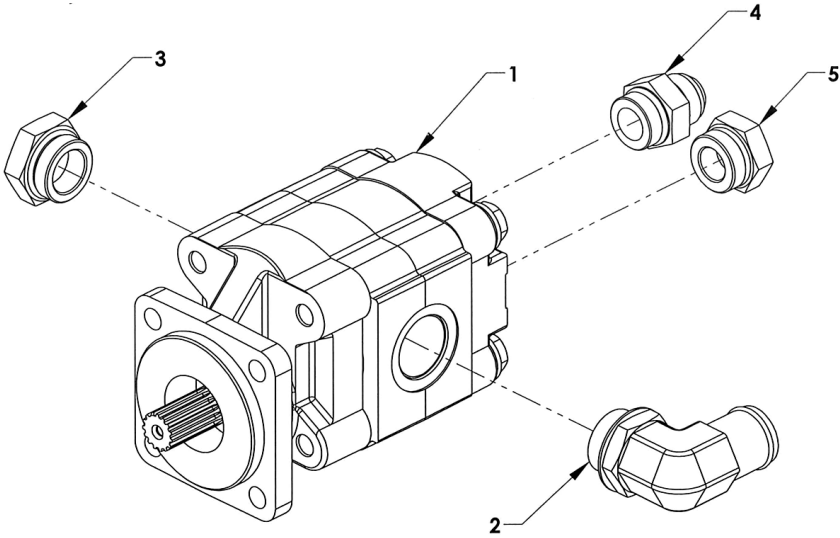
Section V - PARTS MUDFLAP COMPONENTS



REF	PART #	DESCRIPTION	QPU
1	12359	MUDFLAP SUPPORT PLATE	1
2	A1027	MUDFLAP 24 x 22	1
3	81240	BOLT, HHCS 3/8-16 UNC x 1-1/2 BOLT	4
4	-	3/8 FLAT WASHER	8
5	-	3/8-16 UNC NYLON LOCK NUT	4
6	0751024-29L	WIDE AL SPLASH GUARD L. REAR - R. FRONT	1
	0571024-29R	WIDE AL SPLASH GUARD R REAR - L FRONT	1

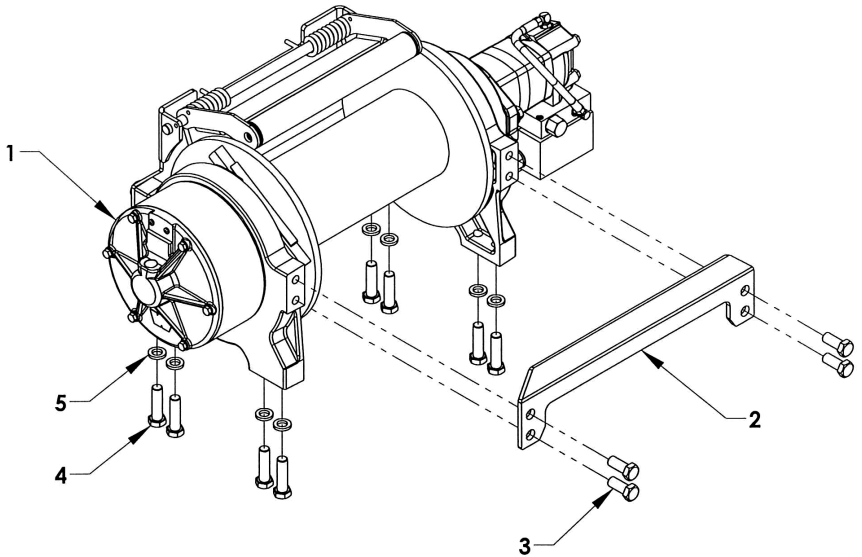
Section V - PARTS

DIRECT MOUNT PUMP



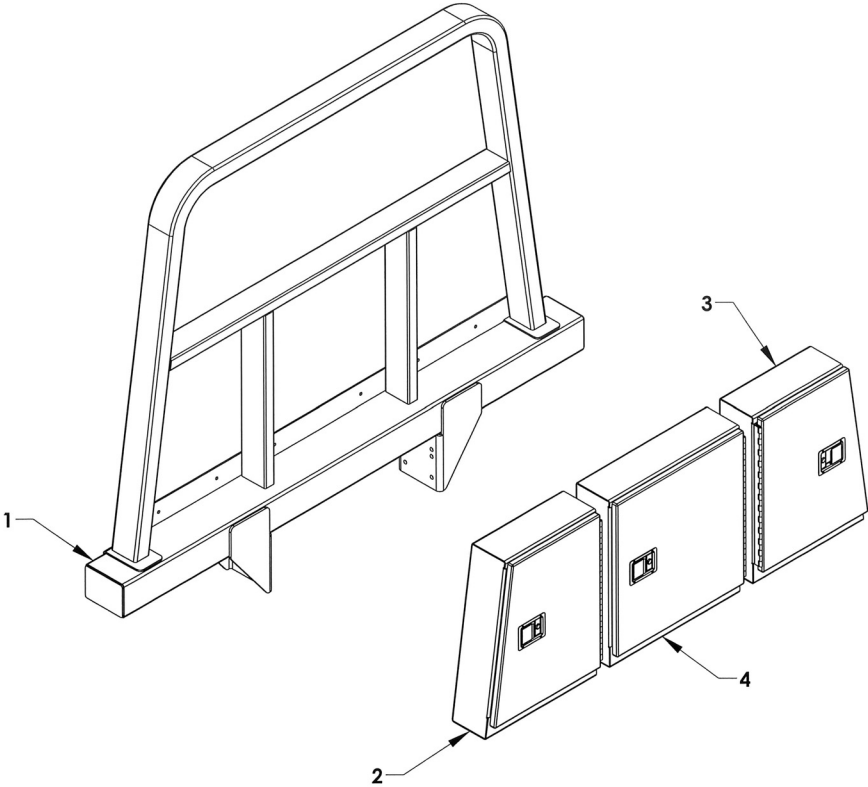
REF	PART #	DESCRIPTION	QPU
1	78006	PUMP-24 GPM , 1 IN. 15 SPLINE SHAFT, SAE 4-BOLT FLANGE	1
2	77C92	1-1/4 x 90 M-M O-RING x 1-1/2 NIPPLE	1
3	77620	1-1/4 O-RING PLUG 900598-20	1
4	779A8	1 O-RING x 1 JICF 202702 - 16 x 16	1
5	77616	1 O-RING PLUG 900598-16	1

Section V - PARTS (cont'd)
WARN SERIES 20 PLANETARY WINCH GROUP



REF	PART #	DESCRIPTION	QPU
1	7112014	WARN SERIES 20 PLANETARY WINCH	1
2	0750984	DRUM SUPPORT CROSSBAR	7
3	81510	BOLT 5/8-11 UNC x 1-1/2 GR 5 ZINC PLATED	8
4	81522	BOLT 5/8-11 UNC x 2-1/4 GR 8 ZINC PLATED	8
5	82420	LOCK WASHER 5/8 ZINC PLATED	8

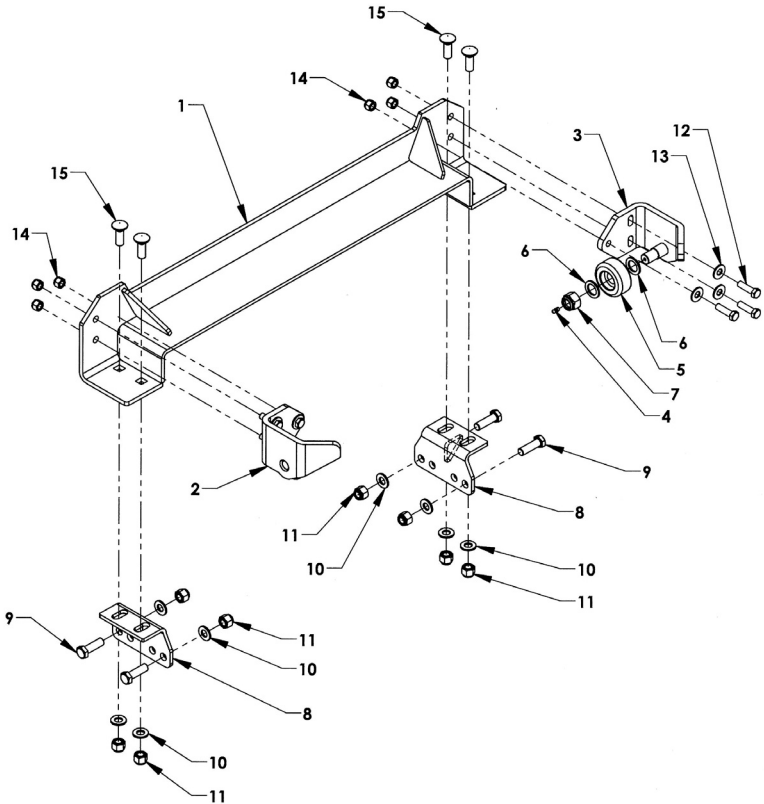
Section V - PARTS (cont'd)
TRI-BOX PYLON



REF	PART #	DESCRIPTION	QPU
1	354656	FRAME MOUNTED PYLON BASE WLMT - 56 INCHES	1
	354660	FRAME MOUNTED PYLON BASE WLMT - 60 INCHES	1
	354663	FRAME MOUNTED PYLON BASE WLMT - 63 INCHES	1
	354668	FRAME MOUNTED PYLON BASE WLMT - 68 INCHES	1
2	374010L	PYLON BOX - LEFT	1
3	374010R	PYLON BOX - RIGHT	1
4	374020	PYLON BOX - CENTER	1
		BOX MOUNTING HARDWARE	
	81230	3/8-16 UNC x 1-1/4 HEX HD BOLT	12
	83211	3/8-16 UNC NYLON LOCK NUT	12
	82210	5/8 FLAT WASHER	24
		FRAME BRACKET HARDWARE	
	81520	5/8-11 UNC x 2 HEX HD BOLT	8
	83411	5/8-11 UNC NYLON LOCK NUT	8
	82410	5/8 FLAT WASHER	16

Section V - PARTS

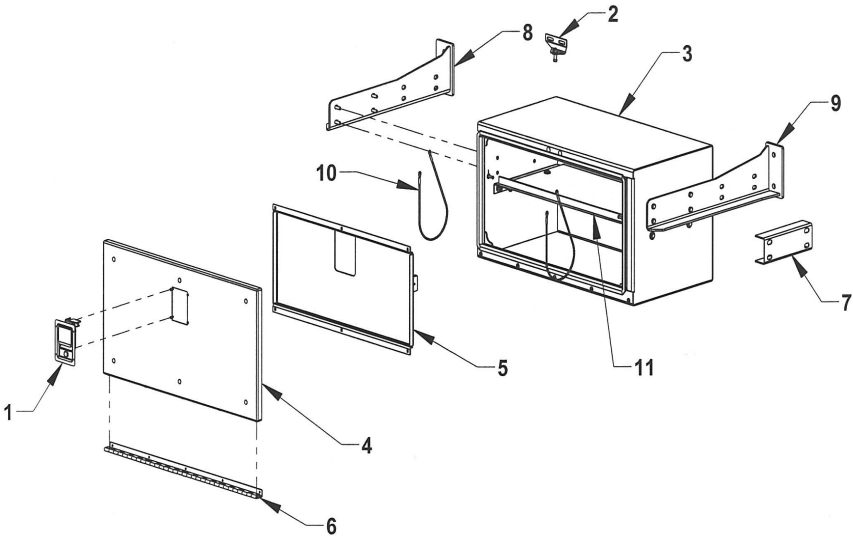
BODY LOCK ASSEMBLY - 364220K



REF. NO.	NO. REQ'D	PART NUMBER	DESCRIPTION
1	1	364220	LCG BODY LOCK WELDMENT-SETBACK CAPABLE
2	1	36315L	BODY LOCK HOLD-DOWN - LEFT
3	1	36315R	BODY LOCK HOLD-DOWN - RIGHT
4	2	7B130	GREASE FITTING 1/4-28
5	2	36310	ROLLER WHEEL
6	4	-	FLAT WASHER 1
7	2	-	NYLON LOCK NUT, 7/8-14 UNF
8	2	0809183	MOUNTING BRACKET
9	4	-	BOLT, 5/8-11 HHCS UNC x 2 GRADE 5
10	8	-	FLAT WASHER 5/8
11	8	-	NYLON LOCK NUT, 5/8-11 UNC
12	6	-	BOLT, HHCS 1/2-20 UNF x 1-1/4
13	6	-	FLAT WASHER, 1/2 IN.
14	6	-	NYLON LOCK NUT, 1/2-20 UNF
15	4	-	CARRIAGE BOLT 5/8-11 x 1-3/4

Section V - PARTS

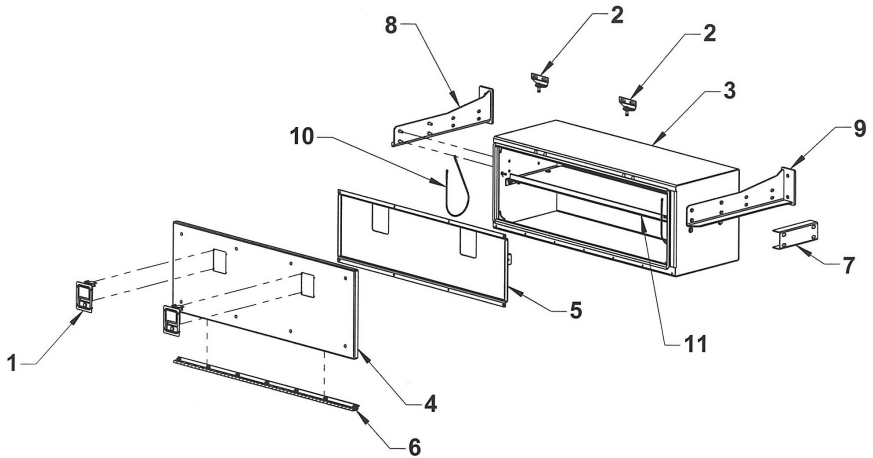
33" ALUMINUM TOOLBOX - 377000



REF	PART #	DESCRIPTION	QPU
1	54658	ROTARY PADDLE LATCH	1
	54657	GASKET FOR PADDLE LATCH	1
	81111	#8-32 X 1/2 STAINLESS ONE WAY SCREW	4
	83111	#8-32 STAINLESS KEPT NUT	4
2	376182	STRIKER PIN MOUNTING PLATE	1
	54659	STRIKER PIN	1
	81115	STAINLESS CARRIAGE BOLT 5/16-18 x 3/4	2
	82110	FLAT WASHER 5/16	4
	82130	LOCK WASHER 5/16	2
	83110	NUT 5/16-18	2
	83125	NYLON LOCK NUT 5/16-18	1
	377100W	BOX WELDMENT	1
4	37741	DOOR WELDMENT	1
	37740	DOOR ASSEMBLY	1
	81100	STAINLESS CARRIAGE BOLT 1/4-20 x 3/4	6
	83105	NYLON LOCK NUT 1/4-20	6
5	37744	DOOR REINFORCEMENT	1
6	37735	HINGE	1
	811014	SS SOCKET BUTTON HEAD BOLT 1/4-20 x 7/8	2
	811012	SS SOCKET BUTTON HEAD BOLT 1/4-20 x 3/4	3
	811010	SS SOCKET BUTTON HEAD BOLT 1/4-20 x 5/8	5
	83105	NYLON LOCK NUT 1/4-20	10
7	37760	TANDEM BOX SPACER CHANNEL (OPTIONAL)	1
8	37855R	TANK AND TOOLBOX MT BRACKET-RIGHT	1
9	37855L	TANK AND TOOLBOX MT BRACKET-LEFT	1
10	5A221	LANYARD-21 INCH	2
11	37770	SHELF	1

Section V - PARTS

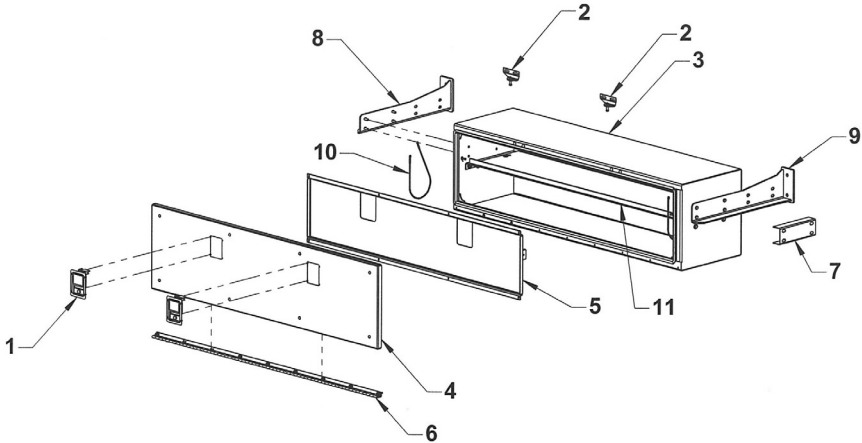
49" ALUMINUM TOOLBOX - 378000



REF	PART #	DESCRIPTION	QPU	
1	54658	ROTARY PADDLE LATCH	2	
	54657	GASKET FOR PADDLE LATCH	2	
	81111	#8-32 X 1/2 STAINLESS ONE WAY SCREW	8	
	83111	#8-32 STAINLESS KEPT NUT	8	
	2	376182	STRIKER PIN MOUNTING PLATE	2
2	54659	STRIKER PIN	2	
	81115	STAINLESS CARRIAGE BOLT 5/16-18 x 3/4	4	
	82110	FLAT WASHER 5/16	8	
	82130	LOCK WASHER 5/16	4	
	83110	NUT 5/16-18	4	
	83125	NYLON LOCK NUT 5/16-18	2	
	3	378100W	BOX WELDMENT	1
	4	37841	DOOR WELDMENT	1
37840		DOOR ASSEMBLY	1	
81100		STAINLESS CARRIAGE BOLT 1/4-20 x 3/4	8	
83105		NYLON LOCK NUT 1/4-20	8	
5		37844	DOOR REINFORCEMENT	1
6	37835	HINGE	1	
	811014	SS SOCKET BUTTON HEAD BOLT 1/4-20 x 7/8	2	
	811012	SS SOCKET BUTTON HEAD BOLT 1/4-20 x 3/4	5	
	811010	SS SOCKET BUTTON HEAD BOLT 1/4-20 x 5/8	7	
	83105	NYLON LOCK NUT 1/4-20	14	
7	37760	TANDEM BOX SPACER CHANNEL (OPTIONAL)	1	
8	37855R	TANK AND TOOLBOX MT BRACKET-RIGHT	1	
9	37855L	TANK AND TOOLBOX MT BRACKET-LEFT	1	
10	5A221	LANYARD-21 INCH	2	
11	37670	SHELF	1	

Section V - PARTS

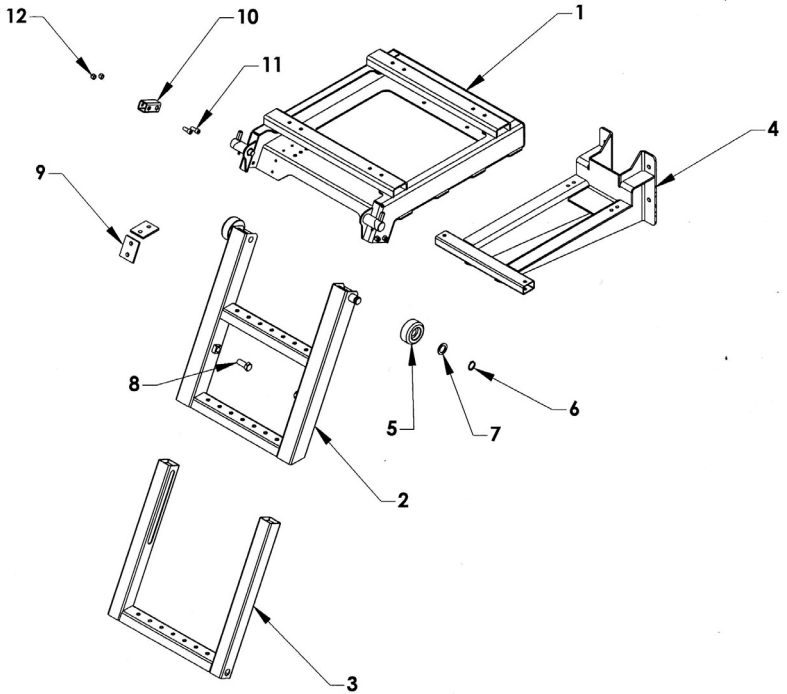
65" ALUMINUM TOOLBOX - 379000



REF	PART #	DESCRIPTION	QPU	
1	54658	ROTARY PADDLE LATCH	2	
	54657	GASKET FOR PADDLE LATCH	2	
	81111	#8-32 X 1/2 STAINLESS ONE WAY SCREW	8	
	83111	#8-32 STAINLESS KEPT NUT	8	
	2	376182	STRIKER PIN MOUNTING PLATE	2
2	54659	STRIKER PIN	2	
	81115	STAINLESS CARRIAGE BOLT 5/16-18 x 3/4	4	
	82110	FLAT WASHER 5/16	8	
	82130	LOCK WASHER 5/16	4	
	83110	NUT 5/16-18	4	
	83125	NYLON LOCK NUT 5/16-18	2	
	3	379100W	BOX WELDMENT	1
	4	37941	DOOR WELDMENT	1
		37940	DOOR ASSEMBLY	1
		81100	STAINLESS CARRIAGE BOLT 1/4-20 x 3/4	8
83105		NYLON LOCK NUT 1/4-20	8	
5		37944	DOOR REINFORCEMENT	1
6	37935	HINGE	1	
	811014	SS SOCKET BUTTON HEAD BOLT 1/4-20 x 7/8	2	
	811012	SS SOCKET BUTTON HEAD BOLT 1/4-20 x 3/4	7	
	811010	SS SOCKET BUTTON HEAD BOLT 1/4-20 x 5/8	9	
	83105	NYLON LOCK NUT 1/4-20	18	
7	37760	TANDEM BOX SPACER CHANNEL (OPTIONAL)	1	
8	37855R	TANK AND TOOLBOX MT BRACKET-RIGHT	1	
9	37855L	TANK AND TOOLBOX MT BRACKET-LEFT	1	
10	5A221	LANYARD-21 INCH	2	
11	37970	SHELF	1	

Section V - PARTS

LCG RETRACTABLE LADDER



REF	PART #	DESCRIPTION	QPU
	390000	LADDER ASSEMBLY	1
1	391010	LADDER CARRIAGE	1
2	391020	UPPER RUNG ASSEMBLY	1
3	391030	LOWER RUNG ASSEMBLY	1
4	391050	FRAME MOUNTING BRACKET - OPTIONAL	1
5	36310	WHEEL	2
6	86100E	RETAINING RING 1.00 EXTERNAL	2
7	82710	FLAT WASHER 1 x 1.50	2
8	391026	RETAINING BOLT 5/8-11 x 1-1/2	2
9	391018	WEAR PAD	4
10	391015	RETAINING TUBE	2
11	81211	ALLEN HEAD BOLT 3/8-16 x 1	4
12	83211	NYLON LOCK NUT 3/8-16	4