

# CHEVRON

---



## OWNER'S MANUAL

408, 408A, 410, 410A, 512  
SERIES

### INSTALLATION, OPERATION, MAINTENANCE & PARTS

**NOTE: MANUAL including SPECIFICATIONS, subject to change without notice.  
All ratings specified are based on structural factors only,  
not vehicle capacities or capabilities.**

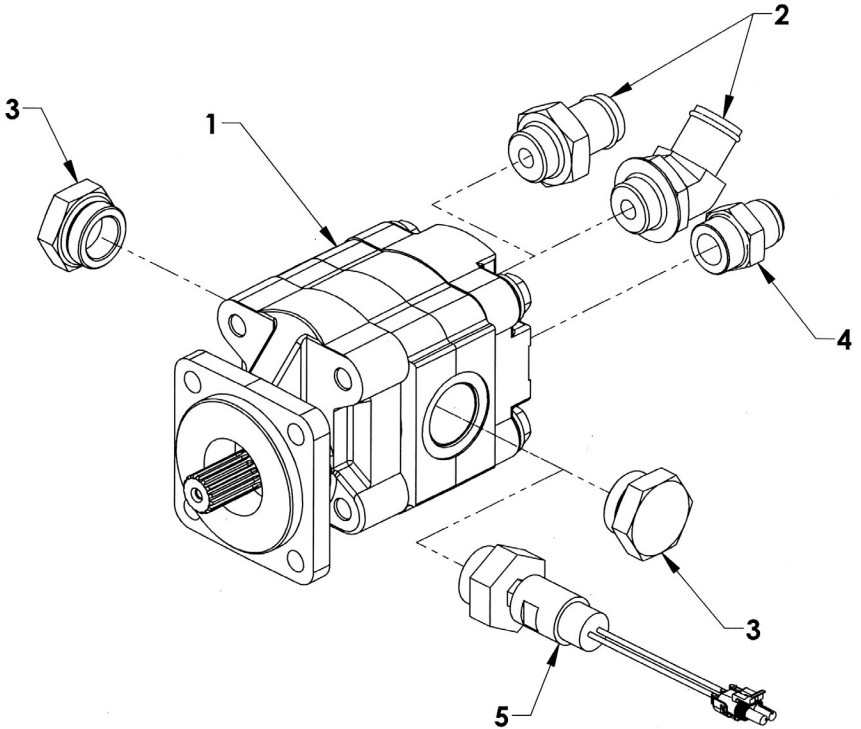
## CHEVRON

Carriers & Wreckers  
7320 W. Market Street  
Mercer, PA 16137  
Phone (724) 981-7500 • FAX (724) 981-4425  
Toll Free (800) 886-6400  
<http://www.chevroninc.com>



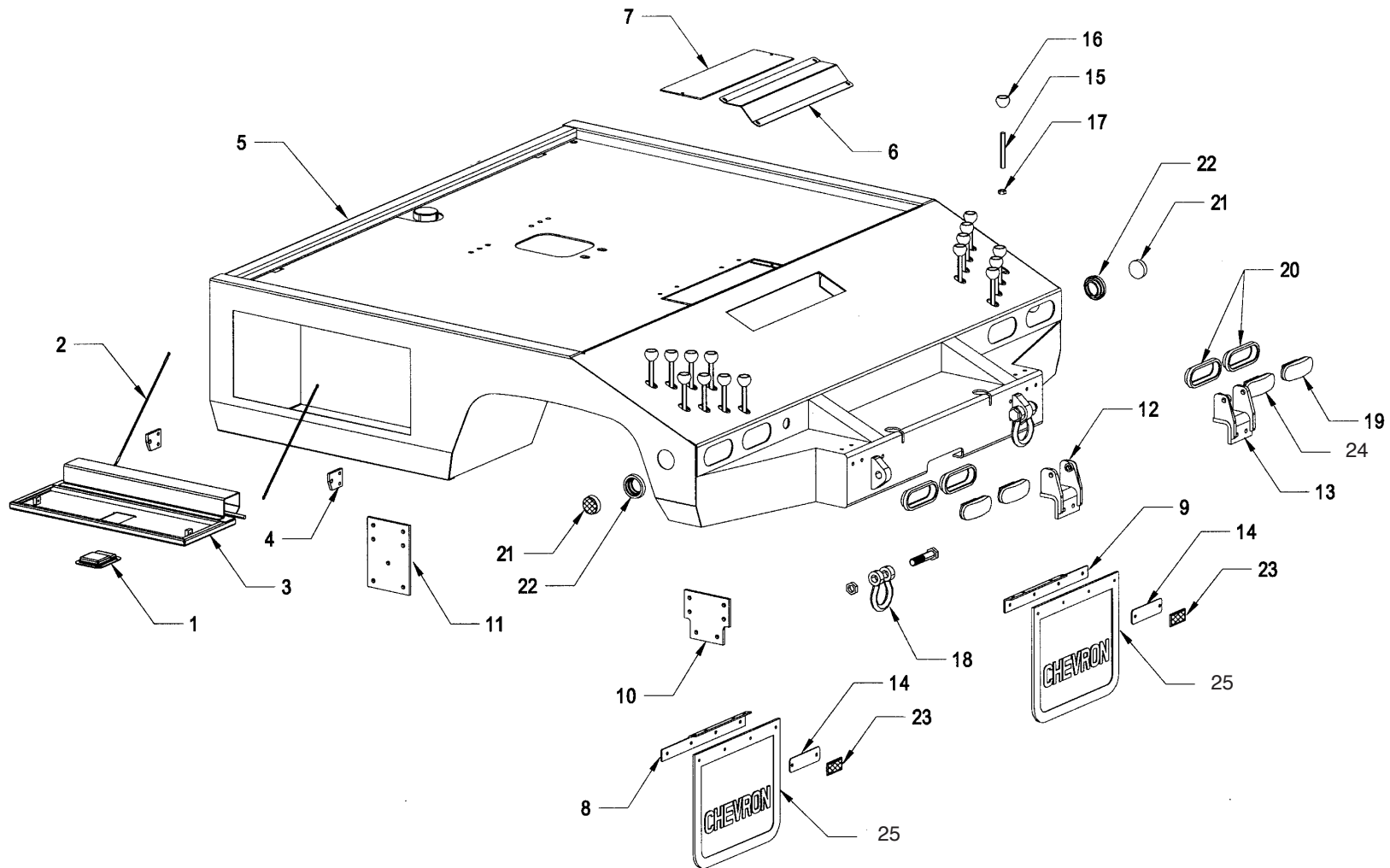
## Section V - PARTS

### DIRECT MOUNT PUMP - 18 GPM



REF	PART #	DESCRIPTION	QPU
1	0320144	18 GPM , 1 IN.15 SPLINE SHAFT, SAE 4-BOLT FLANGE	1
2	SI4604-20 x 16	#16-45 M O-RING x 1-1/4 M NIPPLE	1
	S14603- 20 x 26F	#16 M O-RING x 1-1/4 NIPPLE	1
3	77620	1-1/4 O-RING PLUG 900598-20	2
4	779A7	#16 M O-RING X 3/4 MJIC	1
5	0909434	PRESSURE TRANSDUCER (OPTIONAL)	1

**Section V - PARTS**  
**408, 408A & 512 BODY COMPONENTS**



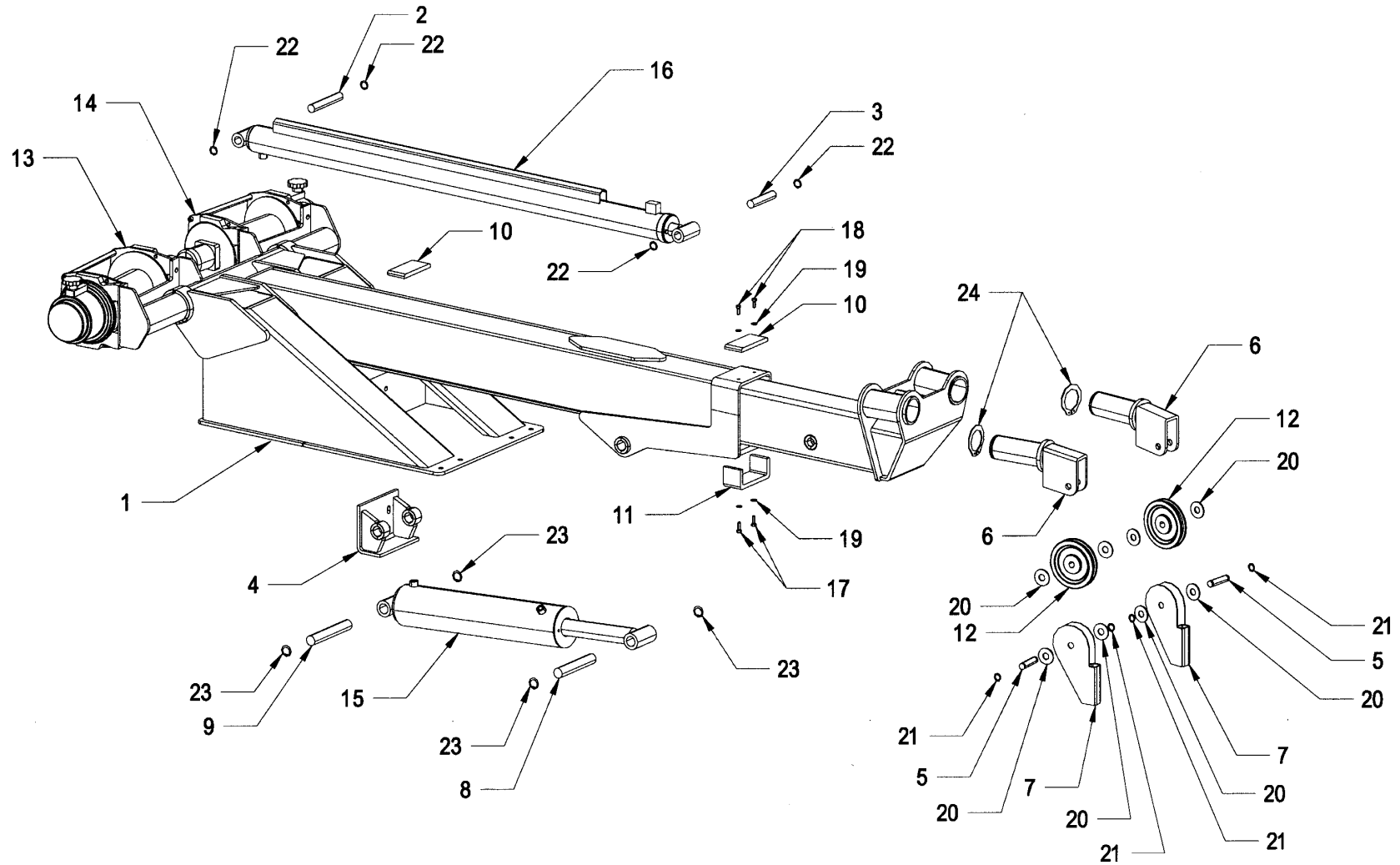
## Section V - PARTS

### 408, 408A & 512 BODY COMPONENTS

REF	PART #	DESCRIPTION	QPU
1	37558	PADDLE LATCH - ROTARY	1
2	5A221	TOOL BOX DOOR LANYARD - 21 INCH	2
3	5A310	TOOL BOX DOOR	1
4	5A316	TOOL BOX DOOR MOUNTING BLOCK	2
5	50340	WRECKER BODY	1
6	51141	STEEL REAR ACCESS COVER	1
7	51145	ALUMINUM REAR ACCESS COVER	1
8	53182L	MUDFLAP MOUNTING BRACKET - LEFT	1
9	53182R	MUDFLAP MOUNTING BRACKET - RIGHT	1
10	53250	MIDDLE MOUNTING BRACKET - 34 IN. FRAME	2
11	53263	FRONT MOUNTING BRACKET - 34 IN. FRAME	2
12	59140L	TOW SLING MOUNTING BRACKET - LEFT	1
13	59140R	TOW SLING MOUNTING BRACKET - RIGHT	1
14	59115	REAR REFLECTOR MOUNTING PLATE	2
15	7A165	CONTROL HANDLE	16
16	7A211	CONTROL KNOB	16
17	83425	5/8 JAM NUT	16
18	84716	6-1/2 TON SHACKLE W/NUT & BOLT	2
19	92600R	TAIL LIGHT	2
20	92650	TAIL LIGHT GROMMET	4
21	93100R	SIDE MARKER LIGHT - RED	2
22	93150	MARKER LIGHT GROMMET - 2-1/2 IN. ROUND	2
23	93300R	REFLECTOR - RED	2
24	95600	BACKUP LIGHT	2
25	A1040	MUDFLAP - 408 & 408A	2
	A1045	MUDFLAP - 512	2

# Section V - PARTS

## 408, 408A & 410 RECOVERY BOOM COMPONENTS

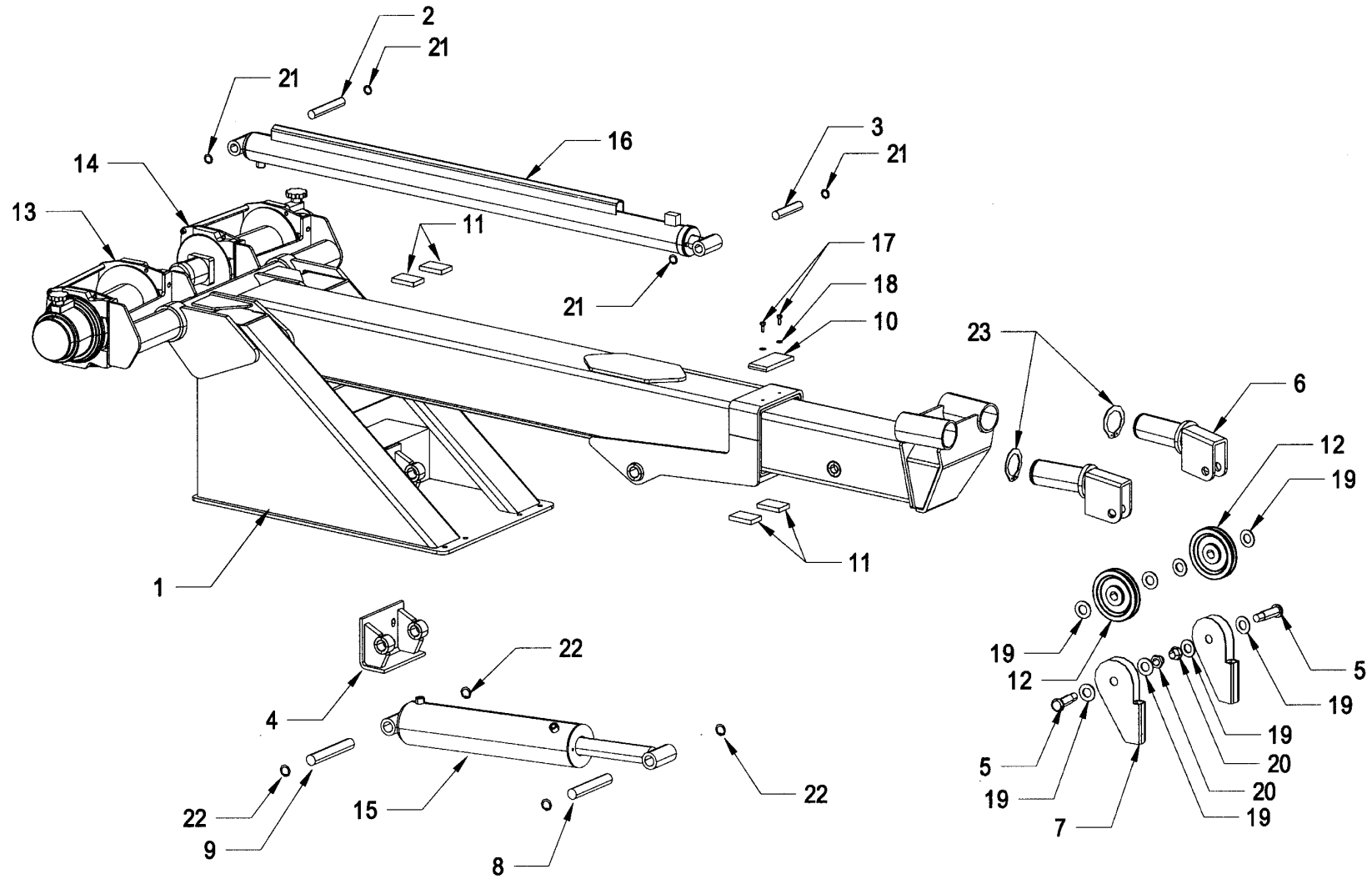


## Section V - PARTS

### 408, 408A & 410 RECOVERY BOOM COMPONENTS

REF	PART #	DESCRIPTION	QPU
1	60125	8-TON RECOVERY BOOM TWIN LINE	1
	60115	8-TON RECOVERY BOOM SINGLE LINE	1
	60145	10-TON RECOVERY BOOM TWIN LINE	1
2	613A1	PIN - BOOM EXTENSION CYLINDER BASE	1
3	613A2	PIN - BOOM EXTENSION CYLINDER ROD	1
4	61320	LIFT CYLINDER BASE MOUNT	1
5	61364	PULLEY PIN - 408 & 408A	1 OR 2
	61368	PULLEY BOLT - 410 & 410A	2
6	61366	SWIVEL INSERT - 408 & 408A	1 OR 2
	61369	SWIVEL INSERT - 410 & 410A	2
7	61370	CABLE FOLLOWER - 408 & 408A	1 OR 2
	61379	CABLE FOLLOWER - 410 & 410A	2
8	61383	PIN - BOOM LIFT CYLINDER ROD	1
9	61384	PIN - BOOM LIFT CYLINDER BASE	1
10	61410	BOOM BEARING PAD	2
11	61412	BOOM BEARING CHANNEL	1
12	69120	PULLEY - 6 INCH 408 & 408A	1 OR 2
	69125	PULLEY - 6 INCH 410 & 410A	2
13	71102L	WINCH - 408 & 408A	0 OR 1
	71105L	WINCH - 410 & 410A	1
14	71102R	WINCH - 408 & 408A	0 OR 1
	71105R	WINCH - 410 & 410A	1
15	72140	CYLINDER - BOOM LIFT	1
16	72150	CYLINDER - BOOM EXTENSION	1
17	81110	BOLT - 5/16 x 1	2
18	81117	BOLT - 5/16 x 7/8	2
19	82130	FLAT WASHER - 5/16	4
20	82510	FLAT WASHER - 3/4 - 408 & 408A	4 OR 8
	82717	FLAT WASHER - 1 x 1.75 - 410 & 410A	8
21	86075E	SNAP-RING .75 INCH EXTERNAL	2 OR 4
	83610	NUT - 7/8 NYLON LOCK - 410 & 410A	2
22	86100I	SNAP-RING 1.00 INCH INTERNAL	4
23	86125I	SNAP-RING 1.25 INCH INTERNAL	4
24	86287E	SNAP-RING 2.875 INCH EXTERNAL	1 OR 2

Section V - PARTS  
512 RECOVERY BOOM COMPONENTS



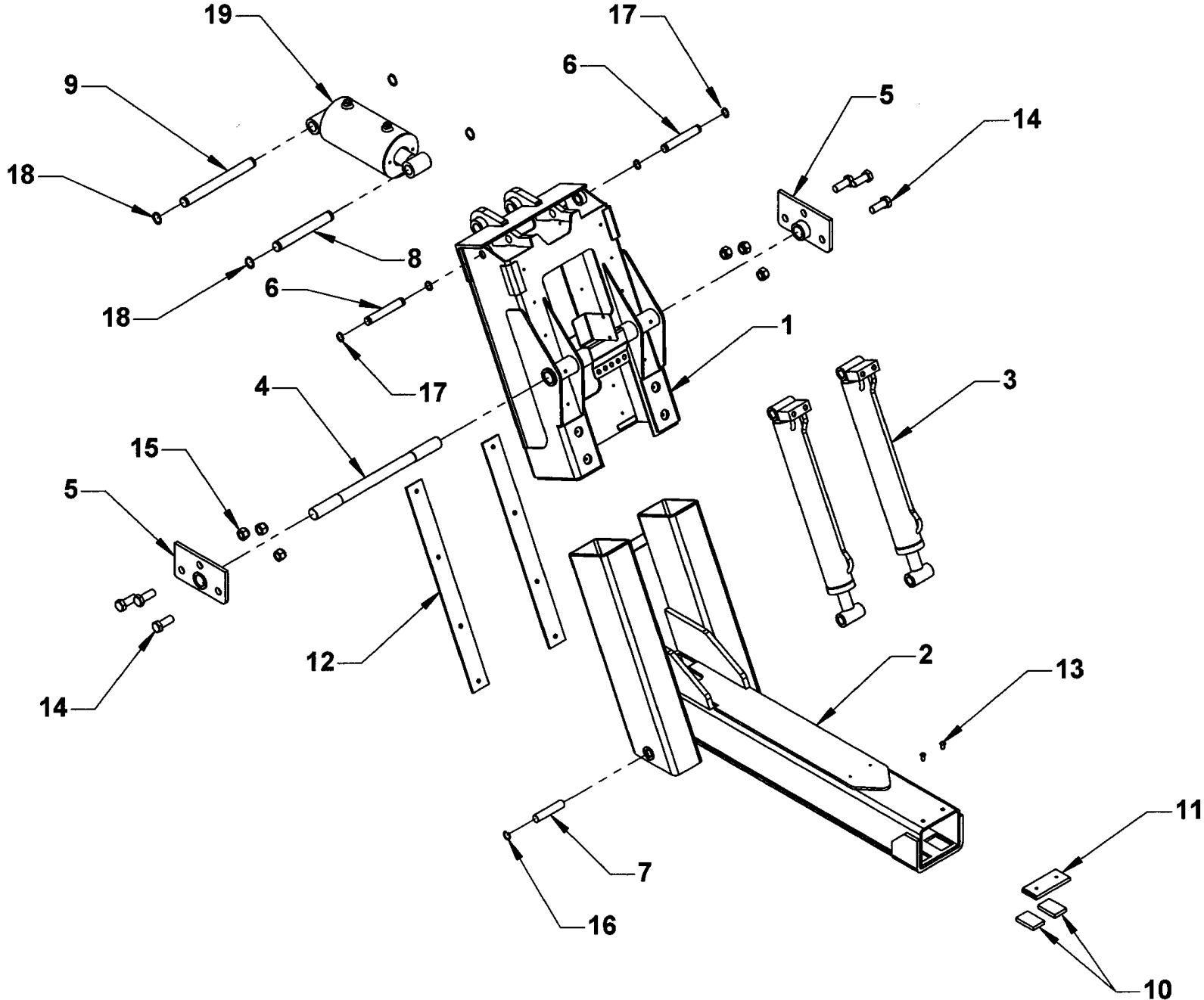


## Section V - PARTS

### 512 RECOVERY BOOM COMPONENTS

REF	PART #	DESCRIPTION	QPU
1	60164	TWIN LINE BOOM 12-1/2 INCH DRUM	1
	60165	TWIN LINE BOOM 10 INCH DRUM	1
2	613A1	PIN - BOOM EXTENSION CYLINDER BASE	1
3	613A2	PIN - BOOM EXTENSION CYLINDER ROD	1
4	61320	LIFT CYLINDER BASE MOUNT	1
5	61368	PULLEY BOLT	2
6	61369	SWIVEL INSERT	2
7	61379	CABLE FOLLOWER	2
8	61383	PIN - BOOM LIFT CYLINDER ROD	1
9	61384	PIN - BOOM LIFT CYLINDER BASE	1
10	61410	BOOM BEARING PAD	1
11	61735	NYLATRON WEAR PAD	4
12	69125	PULLEY - 6 INCH	2
13	71105L	WINCH SERIES 12 (10 INCH DRUM)	1
	71106L	WINCH SERIES 12 (12-1/2 INCH DRUM)	1
14	71105R	WINCH SERIES 12 (10 INCH DRUM)	1
	71106R	WINCH SERIES 12 (12-1/2 INCH DRUM)	1
15	72141	CYLINDER - BOOM LIFT	1
16	72150	CYLINDER - BOOM EXTENSION	1
17	81117	BOLT - 5/16 x 7/8	2
18	82130	FLAT WASHER - 5/16	2
19	82717	FLAT WASHER - 1 x 1.75	8
20	83610	NUT - 7/8 NYLON LOCK	2
21	86100I	SNAP-RING 1.00 INCH INTERNAL	4
22	86125I	SNAP-RING 1.25 INCH INTERNAL	4
23	86287E	SNAP-RING 2.875 INCH EXTERNAL	2

Section V - PARTS  
408 & 408A UNDERLIFT COMPONENTS

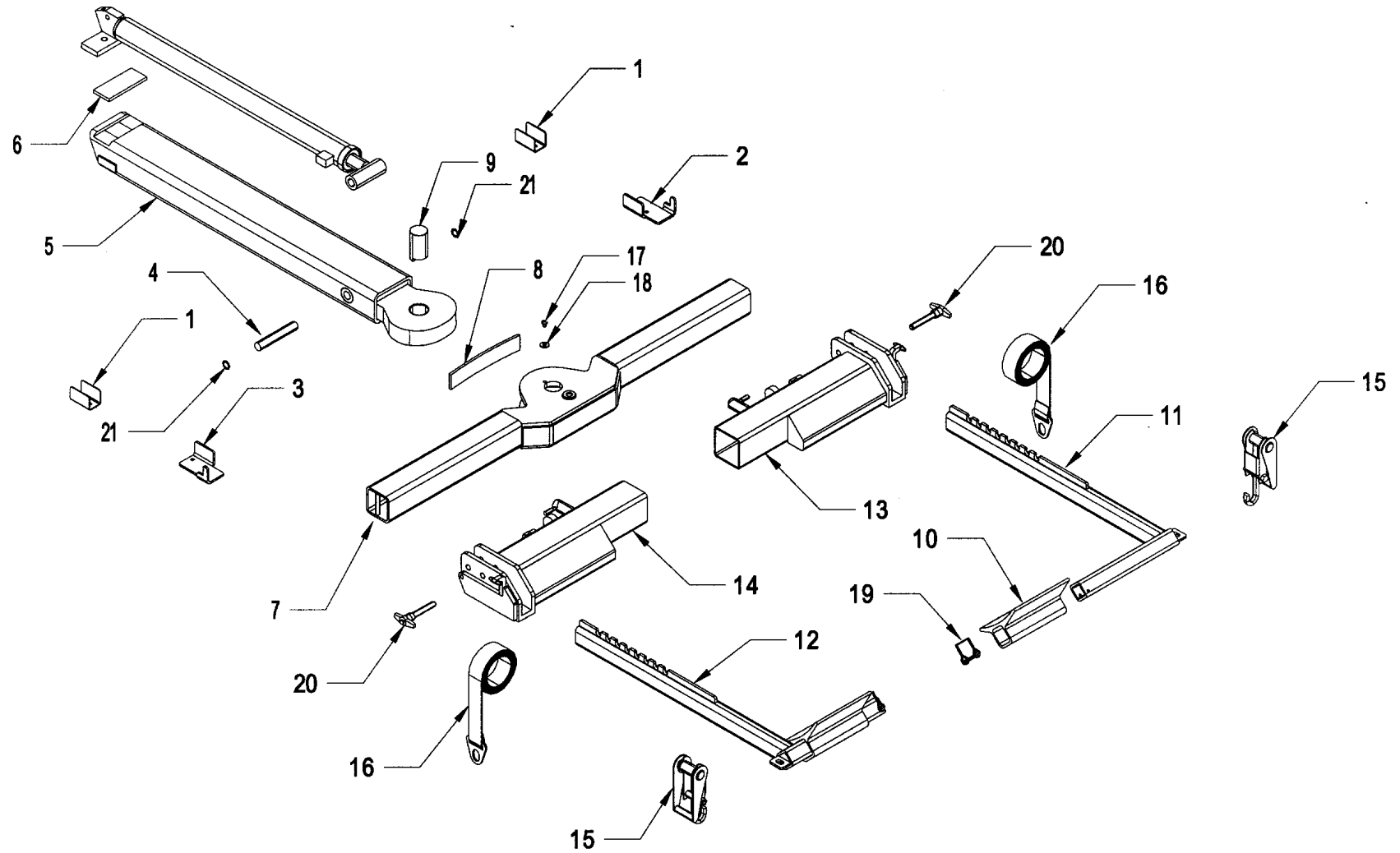


## Section V - PARTS

### 408 & 408A UNDERLIFT COMPONENTS

REF	PART #	DESCRIPTION	QPU
1	657701	STANCHION - 408 & 408A	1
2	65780	OUTER BOOM - 408	1
	65790	OUTER BOOM - 408A	1
3	72190	LIFT CYLINDER - 408 & 408A	2
4	66709	PIVOT PIN - 1.480 x 22	1
5	66701	PIVOT MOUNTING BRACKET	2
6	65712	.980 x 7 SNAP-RING GROOVE PIN	2
7	65714	.980 x 4-5/8 ROD PIN	2
8	65715	1.230 x 9-1/4 SNAP-RING GROOVE ROD PIN	1
9	65716	1.230 x 12-1/4 SNAP-RING GROOVE BASE PIN	1
10	65753	NYLATRON WEAR PAD 1/2 x 2-1/2	1
11	65759	SPACER SHIM PLATE - 408	1
	65758	NYLATRON SHIM PAD - 408A	1
12	65779	1/4 x 2-11/16 PHENOLIC WEAR STRIP	4
13	812A5	BOLT 3/8 x 500 BUTTON HEAD ALLEN	2
14	81710	BOLT 7/8 x 2.250	6
15	83611	NUT 7/8 NYLON LOCK	6
16	86100I-1	SNAP-RING 1.00 INCH INTERNAL	4
17	86100E-1	SNAP-RING 1.00 INCH EXTERNAL	4
18	86125E-1	SNAP-RING 1.25 INCH EXTERNAL	4
19	72188	POWER TILT CYLINDER	1

**Section V - PARTS**  
**408 WHEEL LIFT COMPONENTS**  
**(STANDARD)**

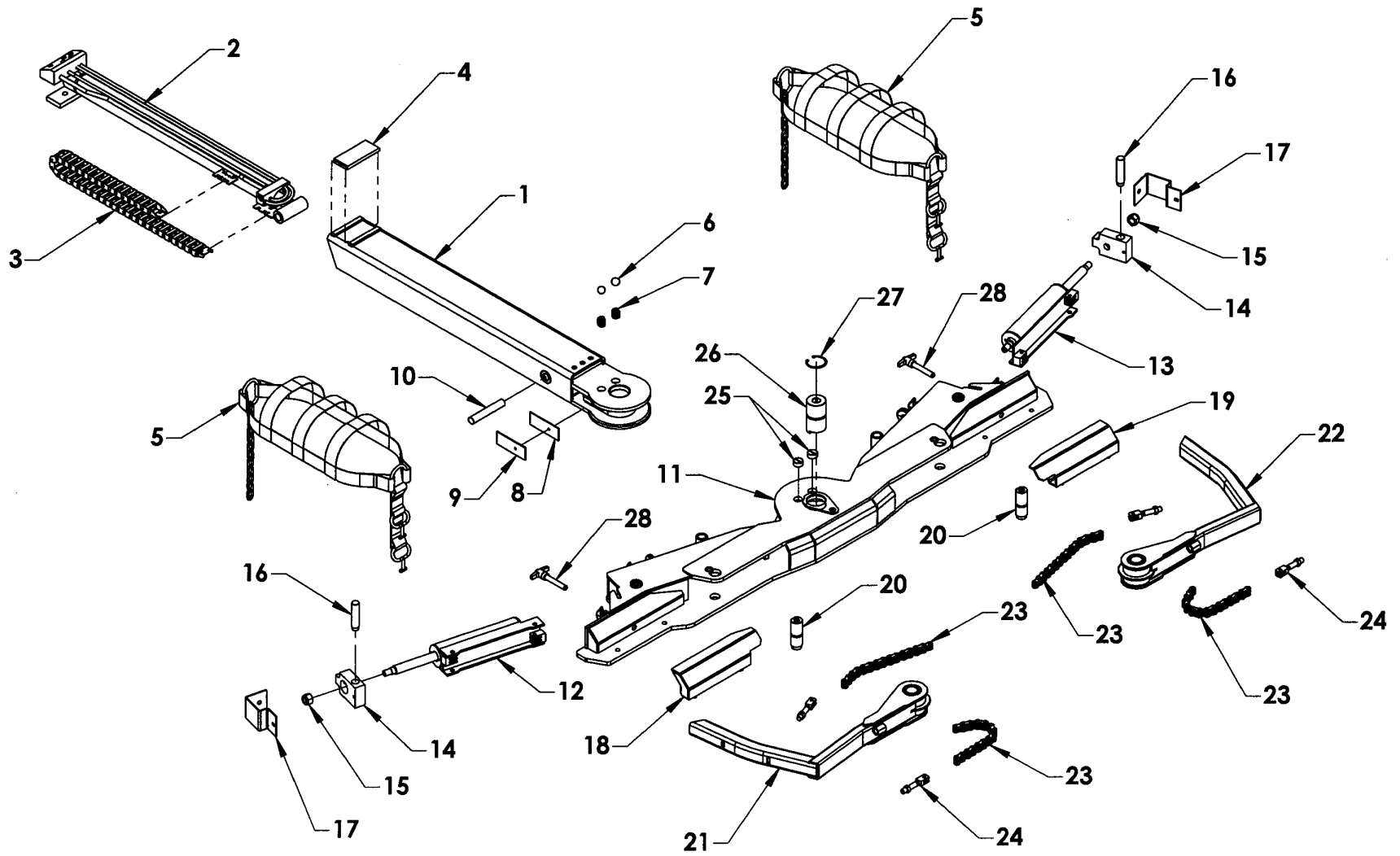


## Section V - PARTS

### 408 WHEEL LIFT COMPONENTS (STANDARD)

REF	PART #	DESCRIPTION	QPU
1	59231	L-ARM CHANNEL BRACKET	2
2	59232R	L-ARM MOUNTING BRACKET - RIGHT	1
3	59232L	L-ARM MOUNTING BRACKET - LEFT	1
4	64357	PIN - .980 x 5.875	1
5	65816	INNER BOOM	1
6	64355	WEAR PAD	1
7	65515	CROSSBAR WELDMENT	1
8	65228	YOKE SPRING	1
9	65435	CROSSBAR PIVOT PIN	1
10	65245	REMOVABLE PAN	2
11	65250R	WHEEL RETAINER - RIGHT	1
12	65250L	WHEEL RETAINER - LEFT	1
13	65265R	WHEEL GRID - RIGHT	1
14	65265L	WHEEL GRID - LEFT	1
15	65280A	RATCHET	2
16	65285	WHEEL STRAP	2
17	812A5	BOLT 3/8 x 1/2 ROUND ALLEN HEAD	1
18	82210	WASHER 3/8 FLAT	1
19	84911	5/16 SAFETY SNAP PIN	2
20	84921	T-PIN WITH LANYARD	2
21	86100I	SNAP-RING 1.00 INCH INTERNAL	2

Section V - PARTS  
408A WHEEL LIFT COMPONENTS

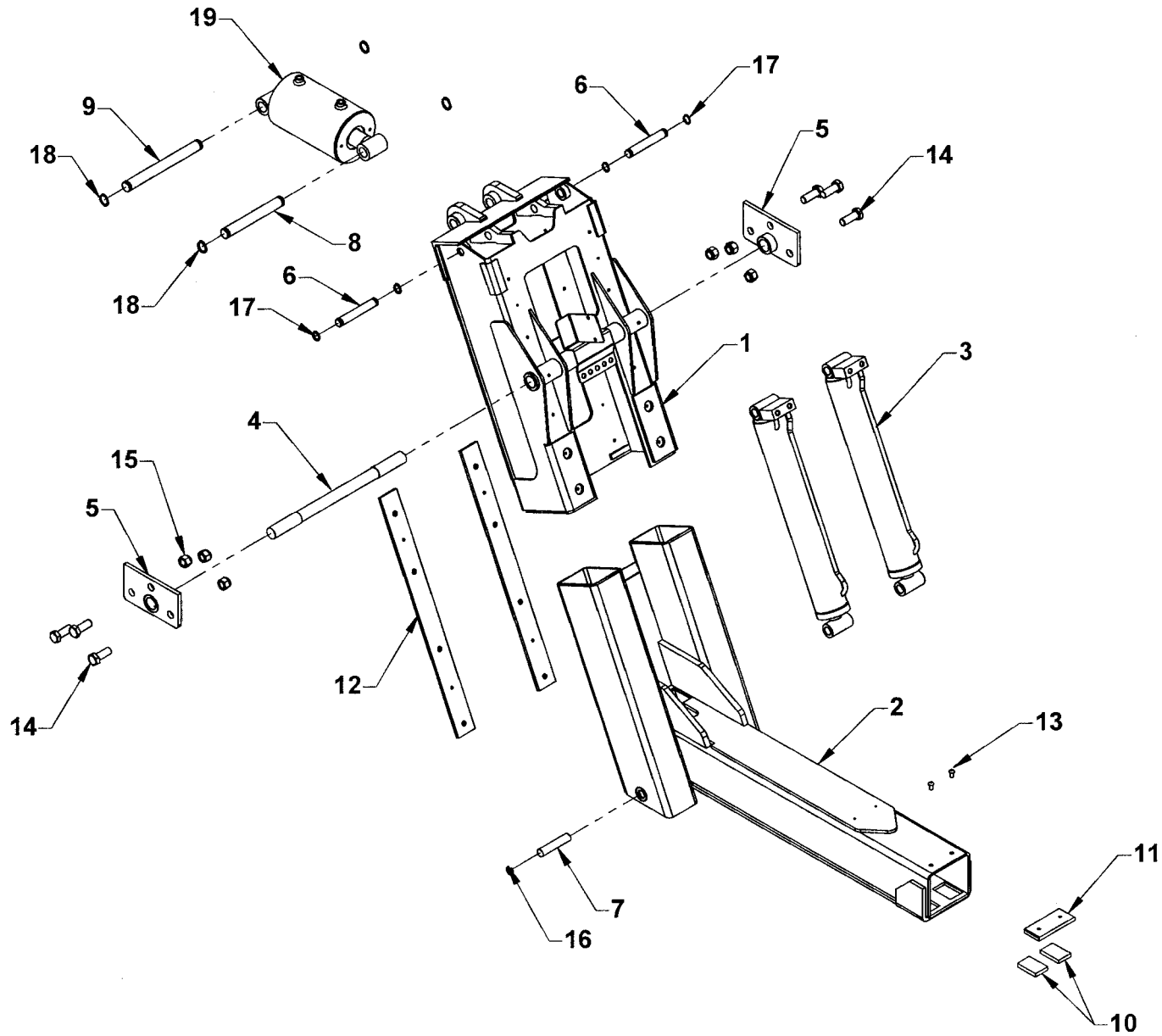


## Section V - PARTS

### 408A WHEEL LIFT COMPONENTS

REF	PART #	DESCRIPTION	QPU
1	658202	INNER TUBE	1
2	72192	EXTENSION CYLINDER	1
3	69726	HOSE TRACK	1
4	65621	NYLATRON WEAR PAD	1
5	65286	BASKET STRAP - AUTO	2
	65287	BASKET STRAP - TRUCK	2
6	69325	DETENT BALL	2
7	69320	DETENT SPRING	2
8	64304R	RUBBER GASKET	2
9	64304C	HOSE CLAMP PLATE	2
10	643572	PIN .980 x 5-7/8	1
11	644002	AUTOGRIP CROSSBAR WELDMENT	1
12	720152L	L-ARM CYLINDER - LEFT	1
13	720152R	L-ARM CYLINDER - RIGHT	1
14	727162	L-ARM CYLINDER MOUNTING BLOCK	2
15	83520	NYLON LOCK NUT 3/4-16 UNF	4
16	644432	L-ARM CYLINDER MOUNTING PIN	2
17	644292	CROSSBAR GRAVEL GUARD	2
18	697402L	WHEEL CHOCK - LEFT	1
19	697402R	WHEEL CHOCK - RIGHT	1
20	644452	L-ARM PIVOT PIN	2
21	644352L	L-ARM - LEFT	1
22	644352R	L-ARM - RIGHT	1
23	87440	L-ARM CHAIN	4
	81127	5/16 x 1-1/4 SHOULDER SHCS 1/4-20 UNC	4
	83105	1/4-20 UNC NYLON LOCK NUT	4
24	64441	L-ARM CHAIN CLEVIS	4
	83411	NYLON LOCK NUT 5/8-11 UNC	4
	81126	5/16 x 1 SHOULDER SHCS 1/4-20 UNC	4
	83105	1/4-20 UNC NYLON LOCK NUT	4
25	64327	DETENT SCREW	2
26	644402	CROSSBAR PIVOT PIN	1
27	86250I	RETAINING RING 2.50 INTERNAL	1
28	84921	5/8 T-PIN	2

Section V - PARTS  
512 UNDERLIFT COMPONENTS





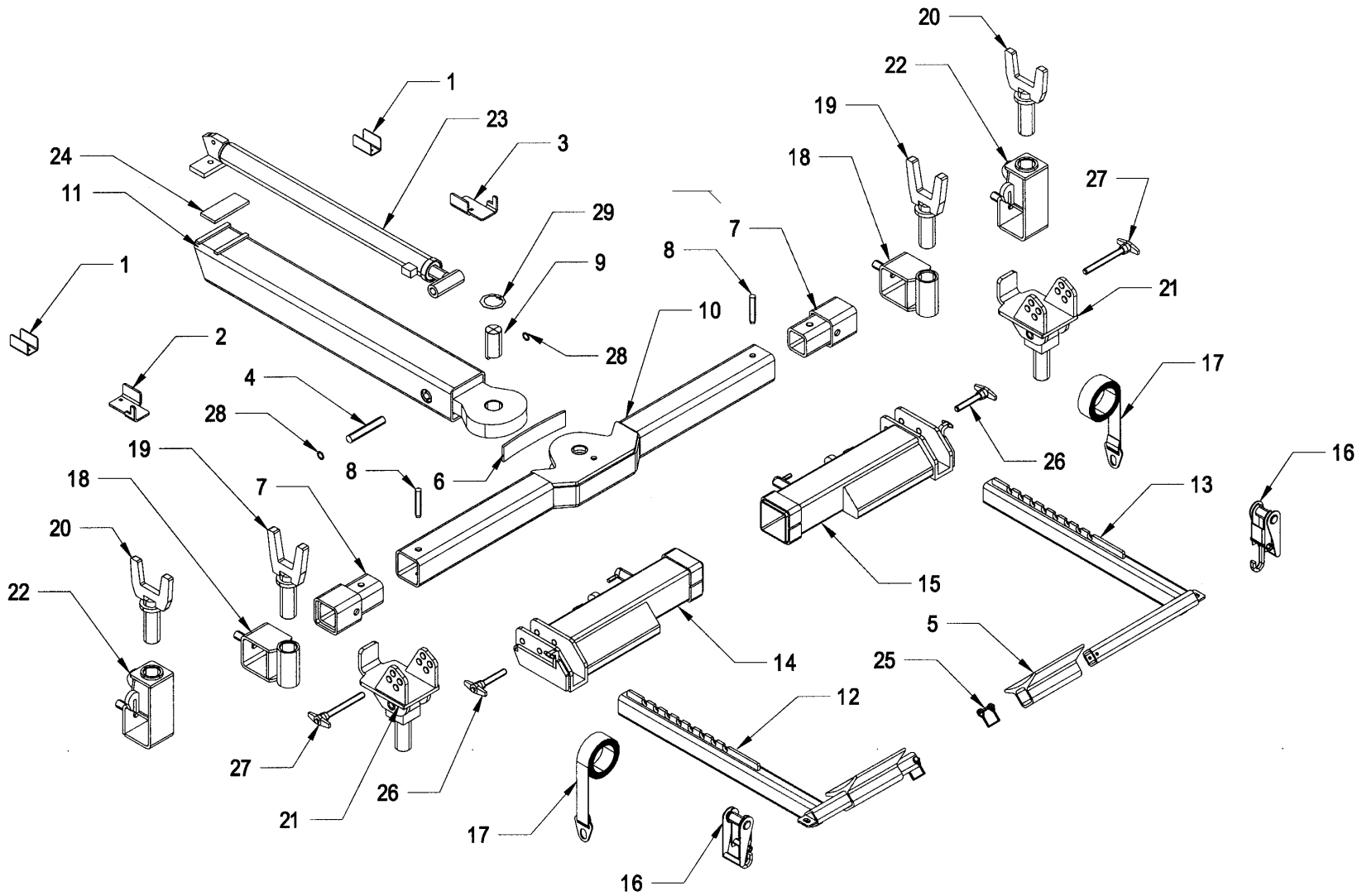
## Section V - PARTS

### 512 UNDERLIFT COMPONENTS

REF	PART #	DESCRIPTION	QPU
1	667702	STANCHION	1
2	66780	OUTER BOOM	1
3	72105	LIFT CYLINDER	2
4	66709	PIVOT PIN - 1.480 x 22	2
5	66701	PIVOT MOUNTING BRACKETS	2
6	65718	.980 x 6-1/4 SNAP-RING GROOVE BASE PIN	2
7	65714	.980 x 4-5/8 ROD PIN	4
8	65715	1.230 x 9-1/2 SNAP-RING GROOVE ROD PIN	1
9	65716	1.230 x 12-1/4 SNAP-RING GROOVE BASE PIN	1
10	65612	NYLATRON WEAR PAD 1/2 x 2 x 3	2
11	65758	NYLATRON SHIM PAD	1
12	66779N	3/8 x 2-3/4 NYLATRON NSM WEAR STRIP	4
13	812A5	BOLT 3/8 x .500 BUTTON HEAD ALLEN	2
14	81710	BOLT 7/8 x 2.250	6
15	83611	NUT 7/8 NYLON LOCK	6
16	86100I	SNAP-RING 1.00 INCH INTERNAL	4
17	86100E-1	SNAP-RING 1.00 INCH EXTERNAL	4
18	86125E-1	SNAP-RING 1.25 INCH EXTERNAL	4
19	72189	POWER TILT CYLINDER	1

# Section V - PARTS

## 512 WHEEL LIFT COMPONENTS AND HOOK-UP ATTACHMENTS (STANDARD)



## Section V - PARTS

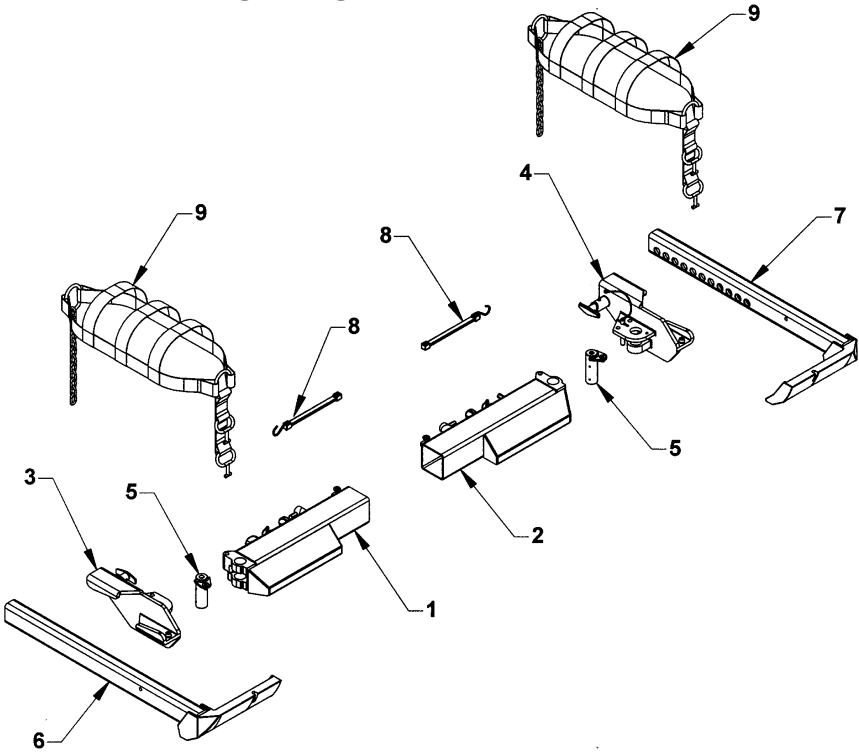
### 512 WHEEL LIFT COMPONENTS AND HOOK-UP ATTACHMENTS (STANDARD)

REF	PART #	DESCRIPTION	QPU
1	59235	L-ARM CHANNEL BRACKET	2
2	59236L	L-ARM MOUNTING BRACKET - LEFT	1
3	5926R	L-ARM MOUNTING BRACKET - RIGHT	1
4	64357	.980 x 5.875 PIN	1
5	65245	REMOVABLE PAN	2
6	65228	YOKE SPRING	1
7	66230	CROSSBAR EXTENSION - OPTIONAL	2
8	66245	CROSSBAR EXTENSION PIN - OPTIONAL	2
9	66430	CROSSBAR PIVOT PIN	1
10	66510	CROSSBAR WELDMENT	1
11	66815	INNER BOOM	1
12	66250L	WHEEL RETAINER - LEFT	1
13	66250R	WHEEL RETAINER - RIGHT	1
14	66260L	WHEEL GRID - LEFT	1
15	66260R	WHEEL GRID - RIGHT	1
16	665280A	RATCHET	2
17	65285	WHEEL STRAP	2
18	66280	FRAME FORK HOLDER	2
19	66290	TWO INCH FRAME FORK	2
20	66300	THREE INCH FRAME FORK	2
	66310	FOUR INCH FRAME FORK - OPTIONAL	2
21	66320	SPRING SHACKLE ADAPTOR	2
22	66330	ELEVATED FRAME FORK HOLDER	2
23	72196	EXTENSION CYLINDER	2
24	64355	WEAR PAD	2
25	84911	5/16 SAFETY SNAP PIN	2
26	84922	T-PIN WITH LANYARD - 3/4 x 3.50	2
27	84923	T-PIN - 3/4 x 6.50	2
28	86100I	SNAP-RING 1.00 INCH INTERNAL	2
29	86200I	SNAP-RING 2.00 INCH INTERNAL	2

## Section V - PARTS

### PIVOT WHEEL GRIDS AND L-ARMS

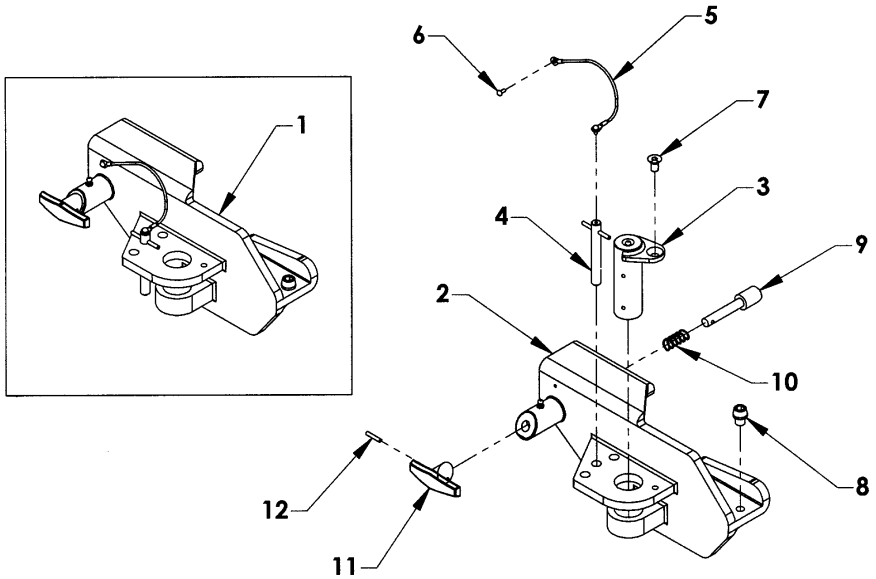
#### 4 - SERIES



REF	PART #	DESCRIPTION	QPU
1	659811L	PIVOT WHEEL GRID-LEFT	1
2	659811R	PIVOT WHEEL GRID-RIGHT	1
3	659820L	PIVOT L-ARM RECEIVER GROUP-LEFT	1
4	659820R	PIVOT L-ARM RECEIVER GROUP-RIGHT	1
5	659822	L-ARM RECEIVER CASTING PIVOT PIN	1
6	659830L	LEFT ALUMINUM L-ARM	1
7	659830R	RIGHT ALUMINUM L-ARM	1
8	AA009G	RUBBER TENSION STRAP WITH S-HOOK	2
9	65286	BASKET STRAP-CAR	2
	65287	BASKET STRAP-TRUCK	2

## Section V - PARTS

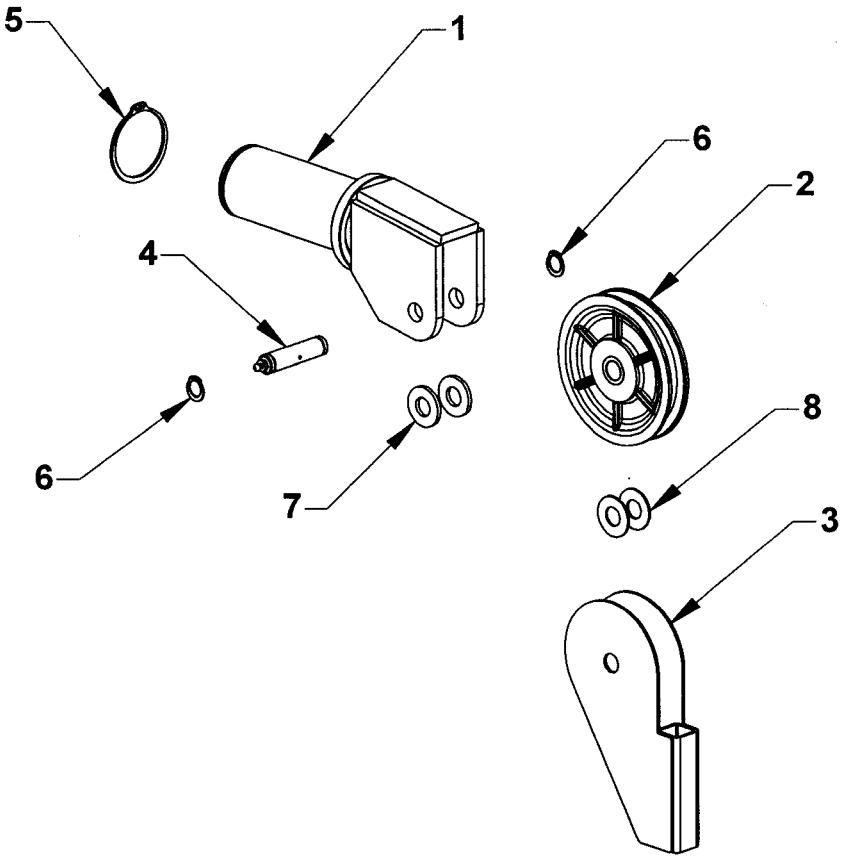
### PIVOT L-ARM RECEIVER GROUP 4-SERIES (OPTIONAL)



REF	PART #	DESCRIPTION	QPU
1	659820L	PIVOT L-ARM RECEIVER GROUP-LEFT	1
	659820R	PIVOT L-ARM RECEIVER GROUP-RIGHT (SHOWN)	1
2	659821L	PIVOT L-ARM RECEIVER CASTING-LEFT	1
	659821R	PIVOT L-ARM RECEIVER CASTING-RIGHT (SHOWN)	1
3	659822	L--ARM RECEIVER CASTING PIVOT PIN	1
4	659826	PIVOT LOCK PIN	1
5	659827	LANYARD	1
6	85016	RIVET	1
7	81225	FLAT HEAD SOCKET CAP SCREW 3/8-16 UNC X 1/2	1
8	81226	TAPERED SOCKET CAP SCREW 1/2-13 UNC X 1/2	1
9	659824	7/8 CAM PIN	1
10	89100	CAM PIN SPRING	1
11	659825	T-HANDLE	1
12	84675	ROLL PIN 3/16 X 1	1

# Section V - PARTS

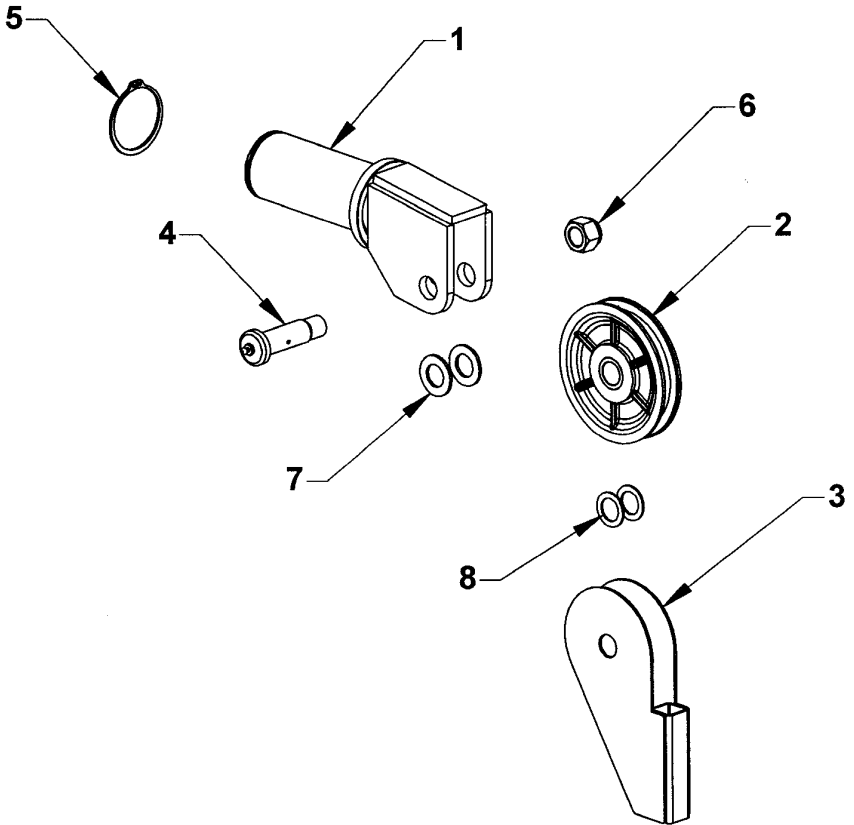
## 4 SERIES BOOM END SWIVEL



REF	PART #	DESCRIPTION	QPU
1	61366	BOOM END SWIVEL	1
2	69120	PULLEY - 6 INCH	1
3	61370	CABLE FOLLOWER	1
4	61364	PIN .750 x 3-1/8	1
5	86287E	RETAINING RING 2-7/8 EXTERNAL	1
6	86075E	RETAINING RING 3/4 EXTERNAL	2
7	82510	FLAT WASHER 3/4 X 1-1/2 x .120	2
8	82511	FLAT WASHER 3/4 X 1-1/2 x .060	2

## Section V - PARTS

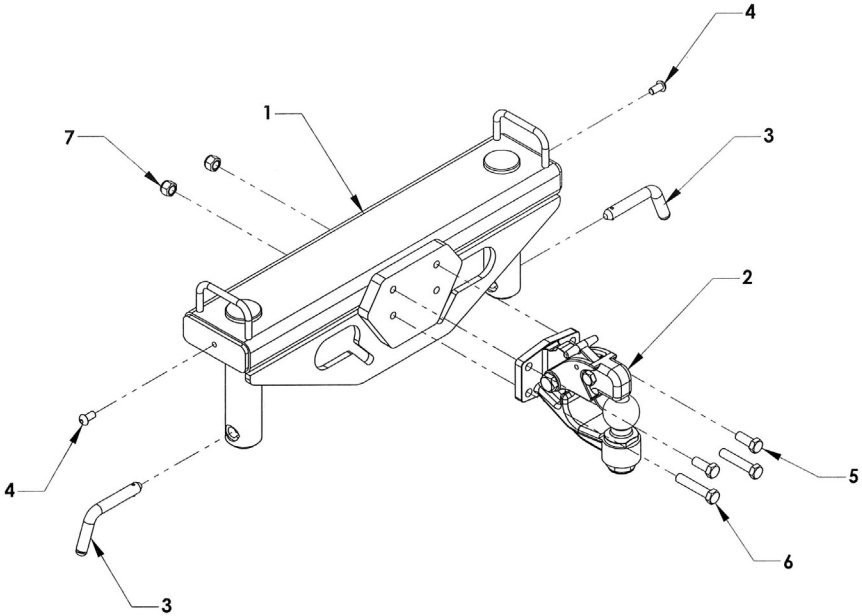
### 5 SERIES BOOM END SWIVEL



REF	PART #	DESCRIPTION	QPU
1	61369	BOOM END SWIVEL	1
2	69125	PULLEY - 6 INCH	1
3	61379	CABLE FOLLOWER	1
4	61368	PIN .980 x 3-5/8	1
5	86287E	RETAINING RING 2-7/8 EXTERNAL	1
6	83611	NYLON LOCK NUT 7/8-9	1
7	82710	FLAT WASHER 1.00 X 1-1/2 x .120	2
8	82718	FLAT WASHER 1.00 X 1-1/2 x .060	2

# Section V - PARTS

## PINTLE HITCH GROUP

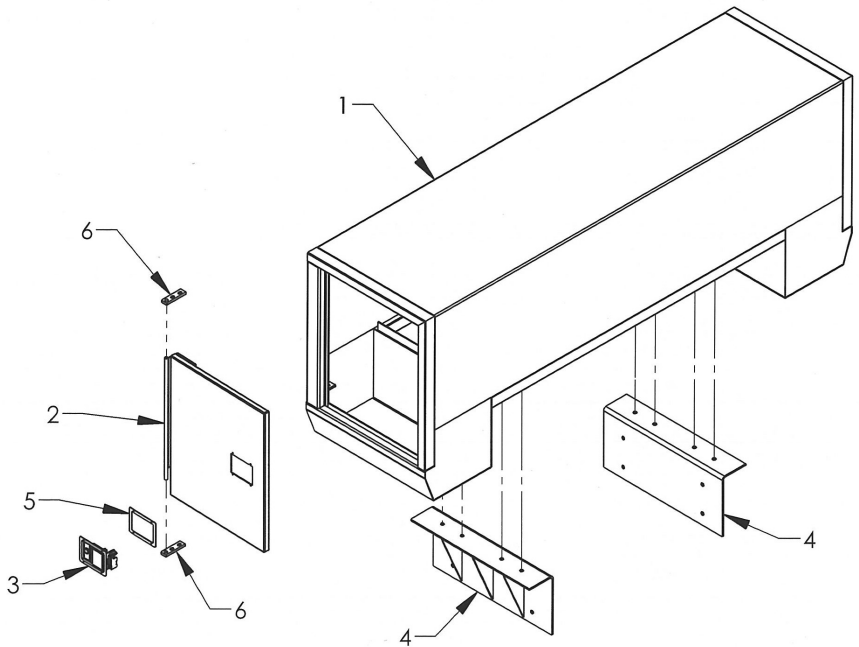


REF	PART #	DESCRIPTION	QPU
	66370G	PINTLE HITCH GROUP	1
1	66370W	PINTLE HITCH WELDMENT	1
2	A3020	TOW BALL PINTLE HITCH	1
3	66378	RETAINING PIN	2
4	812A6	3/8 X 5/8 BUTTON HEAD BOLT	4
	5A220	LANYARD	2
5	81428	BOLT 1/2-13 X 1.25 GRADE 8 SECURE WITH LOCTITE	2
6	81449	BOLT 1/2-13 X 2.5 GRADE 8	2
7	83312	NUT NYLOK 1/2-13	2



# Section V - PARTS

## 24 IN. STEEL TUNNEL BOX GROUP



REF	PART #	DESCRIPTION	QPU
1	5484524	24 INCH STEEL TUNNEL BOX WELDMENT	1
2	5484024	24 INCH TUNNEL BOX DOOR	2
3	54658	ROTARY PADDLE LATCH	2
4	548515	TUNNEL BOX MOUNTING BRACKE	2
5	54657	GASKET - PADDLE LATCH	2
6	54863	TUNNEL BOX DOOR HINGE MOUNT	4