



OWNER'S MANUAL

V-100

PARTS

**NOTE: MANUAL including SPECIFICATIONS, subject to change without notice.
All ratings specified are based on structural factors only,
not vehicle capacities or capabilities.**



Miller Industries Towing Equipment Inc.
8503 Hilltop Drive
Ooltewah, Tennessee 37363
Phone (423) 238-4171 • FAX (423) 238-5371

FORM NO. 0501766
REV. A
08 / 2013
PRICE \$25.00

LIMITED WARRANTY

MILLER INDUSTRIES TOWING EQUIPMENT INC., hereinafter referred to as MILLER, warrants to the original purchaser that each new MILLER wrecker or other MILLER products will be free from defects in material and workmanship for a period of twelve (12) months from date placed in service, but in no event shall such warranty period exceed twenty-four (24) months from date of manufacture by MILLER. The purchaser must promptly notify MILLER in writing of any failure in material or workmanship. In no event shall MILLER accept such notification later than twenty-four (24) months from date of delivery or twelve (12) months from date placed in service, whichever is earlier.

MILLER's obligation under this warranty, statutory or otherwise, is limited to the repair or replacement at the MILLER factory, or at a point designated by MILLER, of such part or parts as shall appear upon inspection by MILLER to be defective in material or workmanship. New or remanufactured parts will be used for any replacement at MILLER's option. This warranty is not transferable. This warranty does not obligate MILLER to bear the cost of labor or transportation charges in connection with the repair or replacement of any parts found to be defective, nor shall it apply to a product upon which repairs or alterations have been made unless authorized by MILLER.

EXCEPT AS EXPRESSLY SET FORTH IN THIS WARRANTY, MILLER MAKES NO OTHER WARRANTY, EXPRESS OR IMPLIED, AND HEREBY DISCLAIMS ALL OTHER WARRANTIES INCLUDING, BUT NOT LIMITED TO, THE IMPLIED WARRANTIES OF MERCHANTABILITY AND FITNESS FOR A PARTICULAR PURPOSE. MILLER shall in no event be liable for claimed downtime, claimed loss of profits or goodwill, or any other special, incidental, indirect, or consequential damages concerning or relating to any product or parts, whether based on negligence, strict liability, breach of contract, breach of warranty, misrepresentation or any other legal theory, regardless of whether the loss resulted from any general or particular requirement which MILLER knew or had reason to know about at the time of sale.

MILLER MAKES NO WARRANTY, EXPRESS OR IMPLIED, AS TO THE FINISHED PRODUCTS MANUFACTURED OR SUPPLIED BY ANOTHER MANUFACTURER AND SUPPLIED BY MILLER TO PURCHASER, including, but not limited to, any vehicle to which a MILLER product may be affixed or any accessories or wire rope, and MILLER EXPRESSLY DISCLAIMS ANY IMPLIED WARRANTIES OF MERCHANTABILITY OR FITNESS FOR A PARTICULAR PURPOSE AS TO SUCH EQUIPMENT OR PRODUCTS. This language shall in no way affect or diminish the rights of the purchaser to rely on such warranties as are extended by such manufacturers or suppliers. MILLER shall, to the extent permitted under applicable law, pass on to the purchaser such manufacturer's or seller's warranty.

MILLER, whose policy is one of continuous improvement, reserves the right to improve its products through changes in design or materials as it may deem desirable without being obligated to incorporate such changes in products previously sold. This warranty is not intended to cover or include the following items, which are set forth by way of example and not limitation:

- A. Normal deterioration of trim, paint, lettering, and appearance items due to wear or exposure to weather, road conditions, road treatments, etc.
- B. Any damage or defect due to accident, misuse, abuse, improper or unauthorized repairs, failure to provide reasonable and necessary maintenance, or uses for which the equipment was not designed or intended.
- C. Alterations or modifications that affect performance, operation or reliability.
- D. Normal maintenance parts including, but not limited to, wear pads, bushings, wire rope, mud flaps, fenderettes, light bulbs, hydraulic oil, filters, and tow sling belts.

IT IS EXPRESSLY UNDERSTOOD THAT MILLER MAKES NO IMPLIED WARRANTY THAT MILLER PRODUCTS SHALL BE FIT FOR THE PURPOSE OF LIFTING OR MOVING PEOPLE OR FOR ANY OTHER IMPROPER USE.



Miller Industries Towing Equipment Inc.
8503 Hilltop Drive
Ooltewah, Tennessee 37363
Telephone (423) 238-4171

SERIAL NUMBER

OWNER, USER AND OPERATOR:

We appreciate your choice of our towing and recovery unit for your application. Our number one priority is user safety which is best achieved by our joint efforts. We feel that you can make a major contribution to safety if you, as the equipment owner and operator:

1. **Comply with Federal, State, and Local Regulations.**
2. **Read, Understand, and Follow the Instructions in this Manual.**
3. **Use Good, Safe Work Practices in a Common Sense Way.**
4. **Only have Authorized and Trained Personnel performing maintenance on the Towing and Recovery Unit.**

TABLE OF CONTENTS

It is assumed by the manufacturer that the Owner/Operator has a thorough knowledge of the accepted and lawful retrieval and towing methods as dictated by his city, county or state. The manufacturer rejects any liability claim that may result from the incorrect or unlawful application of its equipment.

Section I - PARTS

| | |
|--------------------------------------|-------------|
| SUBFRAME ASSEMBLY | I-2 & I-3 |
| LH BODY ASSEMBLY | I-4 & I-5 |
| RH BODY ASSEMBLY | I-6 & I-7 |
| OUTER BOOM ASSEMBLY, 2- STAGE | I-8 & I-9 |
| INNER BOOM ASSEMBLY, 2- STAGE | I-10 & I-11 |
| OUTER BOOM ASSEMBLY, 3-STAGE | I-12 & I-13 |
| INNER BOOM ASSEMBLY, 3-STAGE | I-14 & I-15 |
| 3-STAGE BOOM EXTEND SYSTEM | I-16 & I-17 |
| BOOM SWIVEL ASSEMBLY | I-18 & I-19 |
| STANDARD STINGER ASSEMBLY | I-20 & I-21 |
| CROSSBAR ASSEMBLY | I-22 & I-23 |
| WINCH ASSEMBLY | I-24 & I-25 |
| BOOM LIFT HYDRAULICS | I-26 & I-27 |
| 2-STAGE BOOM EXTEND HYDRAULICS | I-28 & I-29 |
| 3-STAGE BOOM EXTEND HYDRAULICS | I-30 & I-31 |
| UNDERLIFT EXTEND HYDRAULICS | I-32 & I-33 |
| UNDERLIFT TILT HYDRAULICS | I-34 & I-35 |
| WINCH HYDRAULICS | I-36 & I-37 |
| SUBFRAME HYDRAULICS | I-38 & I-39 |
| HYDRAULIC TANK ASSEMBLY | I-40 & I-41 |

TABLE OF CONTENTS (cont'd)

Section I - PARTS

| | |
|--|-------------|
| STANDARD JACKLEG ASSEMBLY | I-42 & I-43 |
| JACKLEG ASSEMBLY W/ FLIPPER FEET | I-44 & I-45 |
| REAR OUTRIGGER OPTION | I-46 & I-47 |
| JACKLEG HYDRAULICS | I-48 & I-49 |
| OUTRIGGER HYDRAULICS | I-50 & I-51 |
| DUAL CONTROL ASSEMBLY | I-52 & I-53 |
| LIFT ADAPTERS | I-54 & I-55 |
| 5X5 BUS LIFT ASSEMBLY | I-56 & I-57 |
| EURO BUS LIFT ASSEMBLY | I-58 & I-59 |
| PINTLE HOOK ADAPTER | I-60 & I-61 |
| 5TH WHEEL ADAPTER | I-62 & I-63 |
| KING PIN ADAPTER | I-64 & I-65 |
| AIR SYSTEM | I-66 & I-67 |

Section II - PARTS LIST

| | |
|--|------------------|
| V-100 2- STAGE BOOM W/ STD STINGER | II-1 thru II-11 |
| V-100 3- STAGE BOOM W/ STD STINGER | II-13 thru II-24 |

Section I - PARTS

This Section is provided by the manufacturer for the purpose of ordering any component part of the **Vulcan V-100** that may be required when part replacement is necessary. Be certain to use only original equipment replacement parts for warranty purposes as well as for keeping your unit in its original state and optimum operating capacities.

When ordering replacement or spare parts be sure to provide the following information to the manufacturer's **Parts Department**.

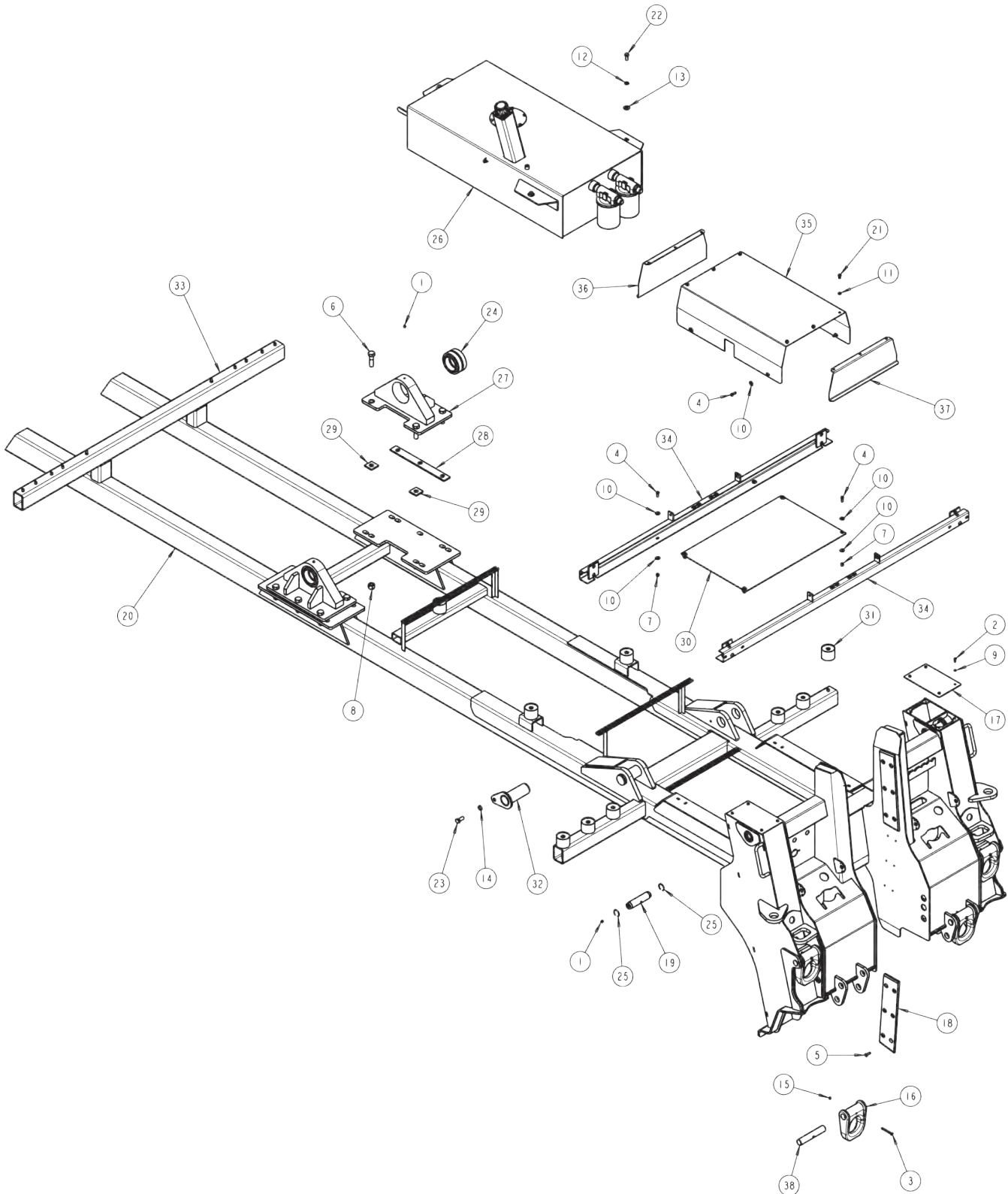
1. **Manual Number & Date of Publication**
2. **Manual Page Number**
3. **Page Title**
4. **Reference Number of Part Desired**
5. **Part Number**
6. **Part Description**
7. **Quantity of Part Desired**

Providing this information will help ensure that the correct parts will be delivered to you in an expedient manner without delay. Should additional information be required for repair or replacement of certain components, contact your Wrecker Manufacturer Authorized Representative.

The Manufacturer reserves the right, without notice or obligation, to improve or modify their products, which may change the specifications, models and feature availability.

Section I - PARTS (cont'd)

SUBFRAME ASSEMBLY



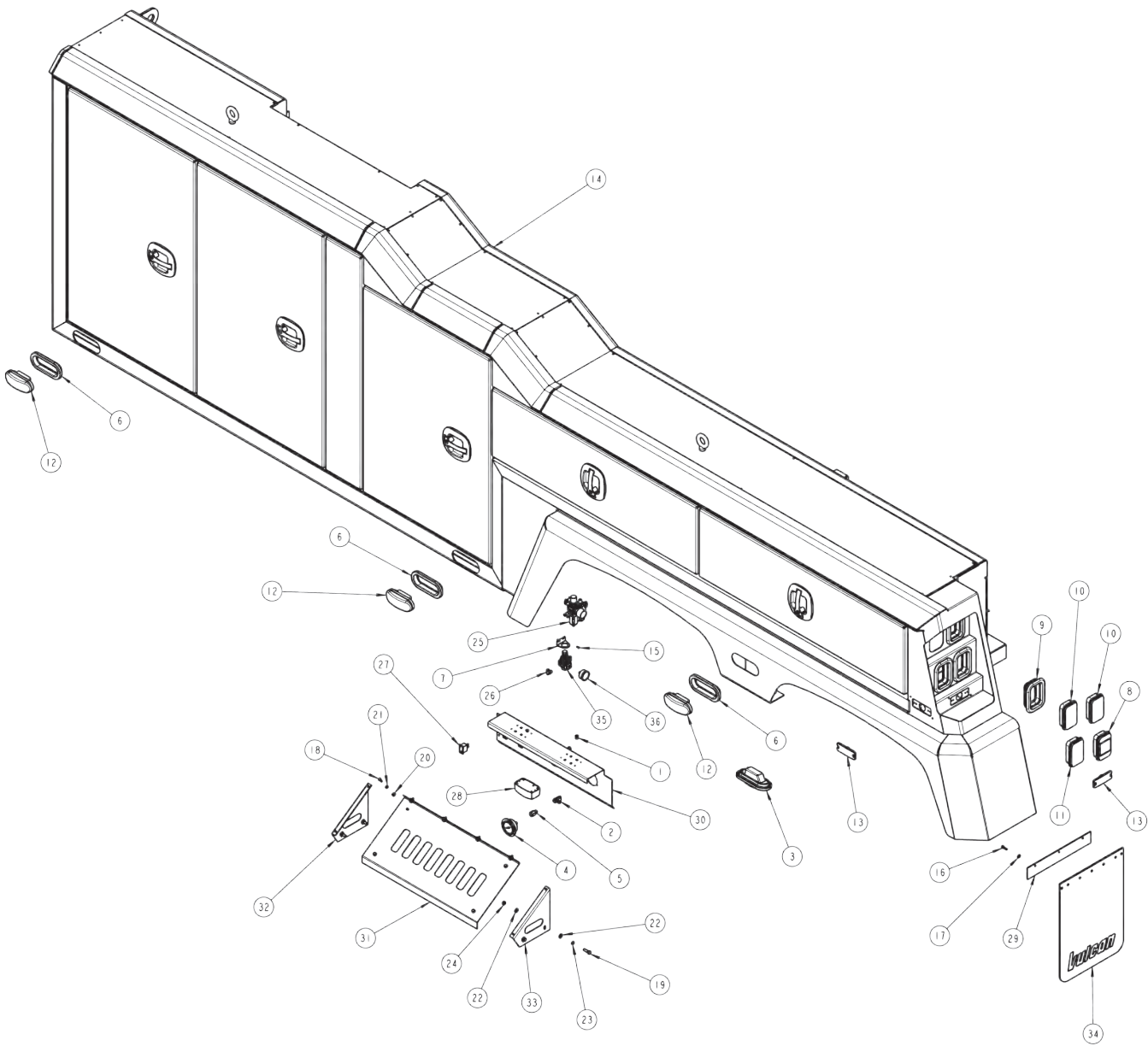
Section I - PARTS (cont'd)

SUBFRAME ASSEMBLY

| ITEM | PART NUMBER | DESCRIPTION | QTY |
|------|-------------|----------------------------------|-----|
| 1 | 0301895 | GREASE FITTING, 1/8 NPT STRAIGHT | 4 |
| 2 | 0400066 | 1/4-20 X 3/4 HHCS GR.5,ZP | 8 |
| 3 | 0400114 | 5/16-18 x 3 HHCS GR 5 ZP | 4 |
| 4 | 0400126 | 3/8-16 X 1 HHCS GR.5,ZP | 12 |
| 5 | 0400128 | 3/8-16X1.25 FLAT HD SOC | 24 |
| 6 | 0400306 | 7/8-9 x 3 HHCS GR. 8 GOLD | 10 |
| 7 | 0400392 | 3/8-16 NYLOCK HEX NUT ZP | 8 |
| 8 | 0400437 | 7/8-9 NYLOCK HEX NUT GR.8 ZP | 10 |
| 9 | 0400452 | 1/4 HELICAL LOCK WASHER ZP | 8 |
| 10 | 0400480 | 3/8 FLAT WASHER ZP | 20 |
| 11 | 0400482 | 3/8 HELICAL LOCK WASHER ZP | 6 |
| 12 | 0400491 | 1/2 HELICAL LOCK WASHER ZP | 3 |
| 13 | 0400492 | 1/2 FLAT WASHER ZP | 3 |
| 14 | 0400508 | 5/8 HELICAL LOCK WASHER ZP | 2 |
| 15 | 0400776 | 5/16-18 HEX NUT JAM NYLOK | 4 |
| 16 | 0719585 | "D" RING - TOWING | 4 |
| 17 | 0724349 | PLATE - SPADE COVER | 2 |
| 18 | 0724476 | NYLATRON PAD | 4 |
| 19 | 0724499 | PIN, UPPER JACK LEG CYLINDER | 2 |
| 20 | 0807731 | SUBFRAME WELDMENT | 1 |
| 21 | 9041202 | 3/8-16 x 5/8 PL GR8 | 6 |
| 22 | 9041402 | 1/2-13NC X 1 1/4 HHCS, ZP,GR.8 | 5 |
| 23 | 9043950 | 5/8-11x1-1/2 | 2 |
| 24 | 9053041 | BEARING, SPHERICAL TORRIN | 2 |
| 25 | 9054150 | SNAP RING, 1-1/4" NOM INTERNAL | 4 |
| 26 | 915780000 | HYDRAULIC TANK ASSY | 1 |
| 27 | 930202500 | PIVOT BLOCK WELD'T | 2 |
| 28 | 930202504 | TIE PLATE | 2 |
| 29 | 930202505 | WASHER PLATE | 4 |
| 30 | 930400009 | PLATE- BOTTOM | 1 |
| 31 | 9402970 | TOOLBOX MTG. PAD | 9 |
| 32 | 945351500 | PIN WELDMENT - LOWER LIFT CYL | 2 |
| 33 | 946210500 | FRONT MTG. TUBE WELD'T | 1 |
| 34 | 946400600 | CHANNEL WELD'T | 2 |
| 35 | 946402501 | TOP PANEL - D.C.V. COVER ASSY | 1 |
| 36 | 946402600 | REAR PANEL WELDMENT | 1 |
| 37 | 946402700 | FRONT PANEL WELDMENT | 1 |
| 38 | GA0215 | PIN, D RING | 4 |

Section I - PARTS (cont'd)

LH BODY ASSEMBLY



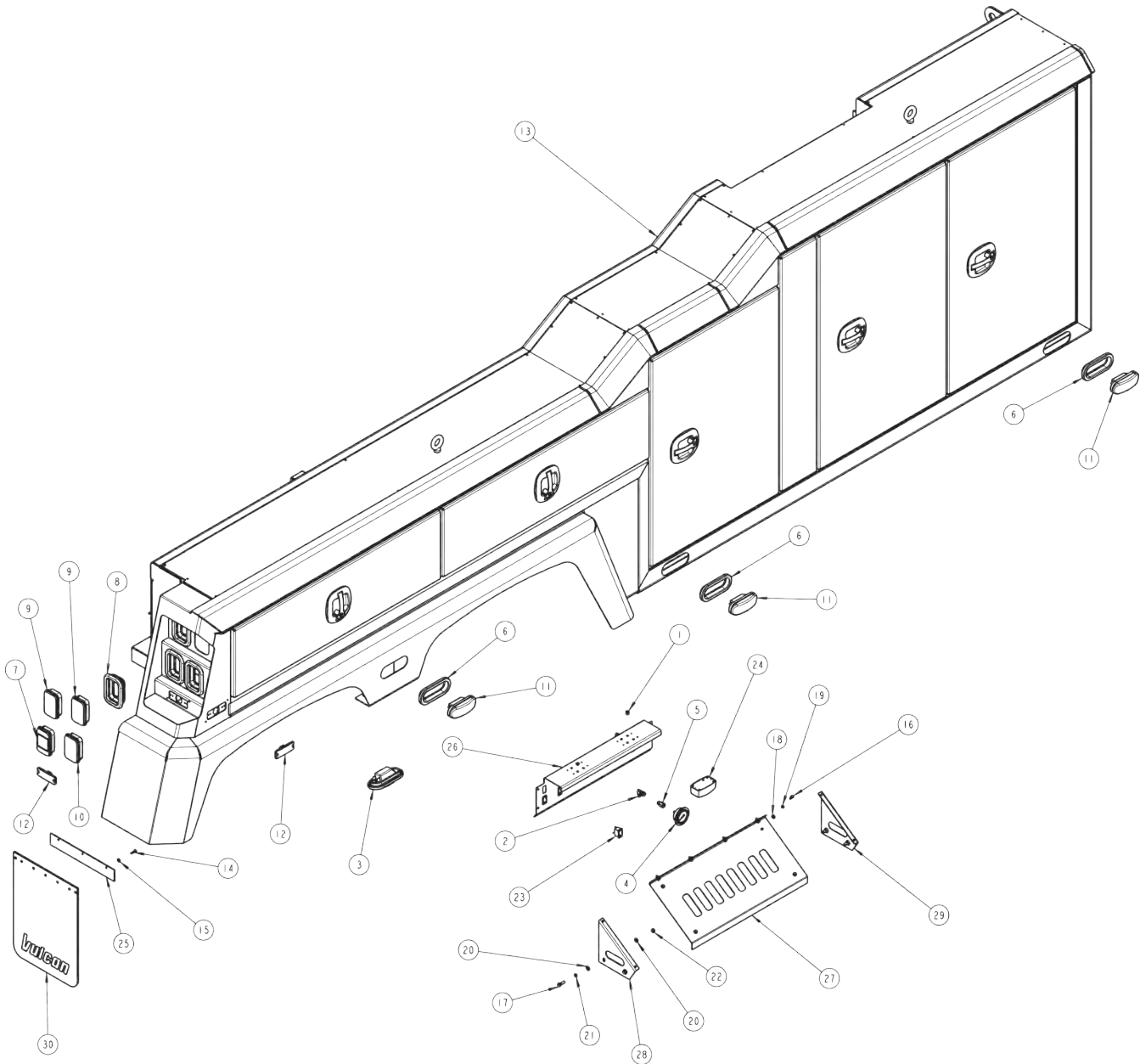
Section I - PARTS (cont'd)

LH BODY ASSEMBLY

| ITEM | PART NUMBER | DESCRIPTION | QTY |
|------|-------------|------------------------------------|-----|
| 1 | 0300117 | GROMMET RUBBER | 2 |
| 2 | 0301696 | ELBOW, 6MJ-6FJX90 | 2 |
| 3 | 0302201 | BACKUP LIGHT W/ GROMMET & PLUG | 1 |
| 4 | 0302205 | GAUGE, FLUSH MOUNT 6000 PSI | 2 |
| 5 | 0302577 | CONNECTOR, 6MJ-4FP | 2 |
| 6 | 0303128 | GROMMET, TAIL LIGHT | 3 |
| 7 | 0303365 | BRKT- MOUNTING | 1 |
| 8 | 0306684 | LIGHT, BACKUP | 1 |
| 9 | 0306685 | GROMMET, LED LIGHT 45 STT | 4 |
| 10 | 0307215 | LED LIGHT, RED 45 STT | 2 |
| 11 | 0307216 | LED LIGHT, AMBER 45 REAR TURN | 1 |
| 12 | 0307220 | LIGHT OVAL AMBER 60 LED | 3 |
| 13 | 0307538 | LIGHT, MRKR-RED LED 4.5 X 1.63 | 2 |
| 14 | 0311016 | 2010 VULCAN AL. BODY 180CB | 1 |
| 15 | 0400021 | #8-32 X .5 FLAT HEAD PHILLIPS S.S. | 4 |
| 16 | 0400070 | 1/4-20 X 1 HHCS GR5 ZP | 3 |
| 17 | 0400451 | 1/4 FLAT WASHER ZP | 3 |
| 18 | 0402020 | 1/4-20 X 3/4 HHCS SS | 8 |
| 19 | 0402043 | 3/8-16 X 1-1/4 HHCS SS | 4 |
| 20 | 0402110 | 1/4 FLATWASHER 316 STAINLESS | 8 |
| 21 | 0402111 | 1/4 LOCKWASHER 316 STAINLESS | 8 |
| 22 | 0402120 | 3/8 FLATWASHER 316 SS | 8 |
| 23 | 0402121 | 3/8 LOCKWASHER 316 STAINLESS | 4 |
| 24 | 0402122 | HEX NUT 316 STAINLESS | 4 |
| 25 | 0909085 | KIT,AIR FLR/REG/LUBE COMBO 1/4 | 1 |
| 26 | 9010520 | FITTING - ELBOW,1/4T-1/4NPT MALE | 2 |
| 27 | 9024041 | MCGILL SWITCH | 4 |
| 28 | 9025049 | INT. COMPARTMENT LIGHT W/ SWITCH | 2 |
| 29 | 920400005 | MUD FLAP BRACE PLATE | 1 |
| 30 | 942480003 | D.C.V. UPPER PANEL | 1 |
| 31 | 942480200 | D.C.V. LOWER PANEL WELDMENT | 1 |
| 32 | 942480300 | LH MTG ANGLE WELDMENT | 1 |
| 33 | 942487300 | RH MTG ANGLE WELDMENT | 1 |
| 34 | 94320052 | MUDFLAP | 1 |
| 35 | HA0131 | AIR FILTER / REGULATOR COMBO | 1 |
| 36 | HA0132 | GAUGE- AIRFILTER/REGULATOR | 1 |

Section I - PARTS (cont'd)

RH BODY ASSEMBLY



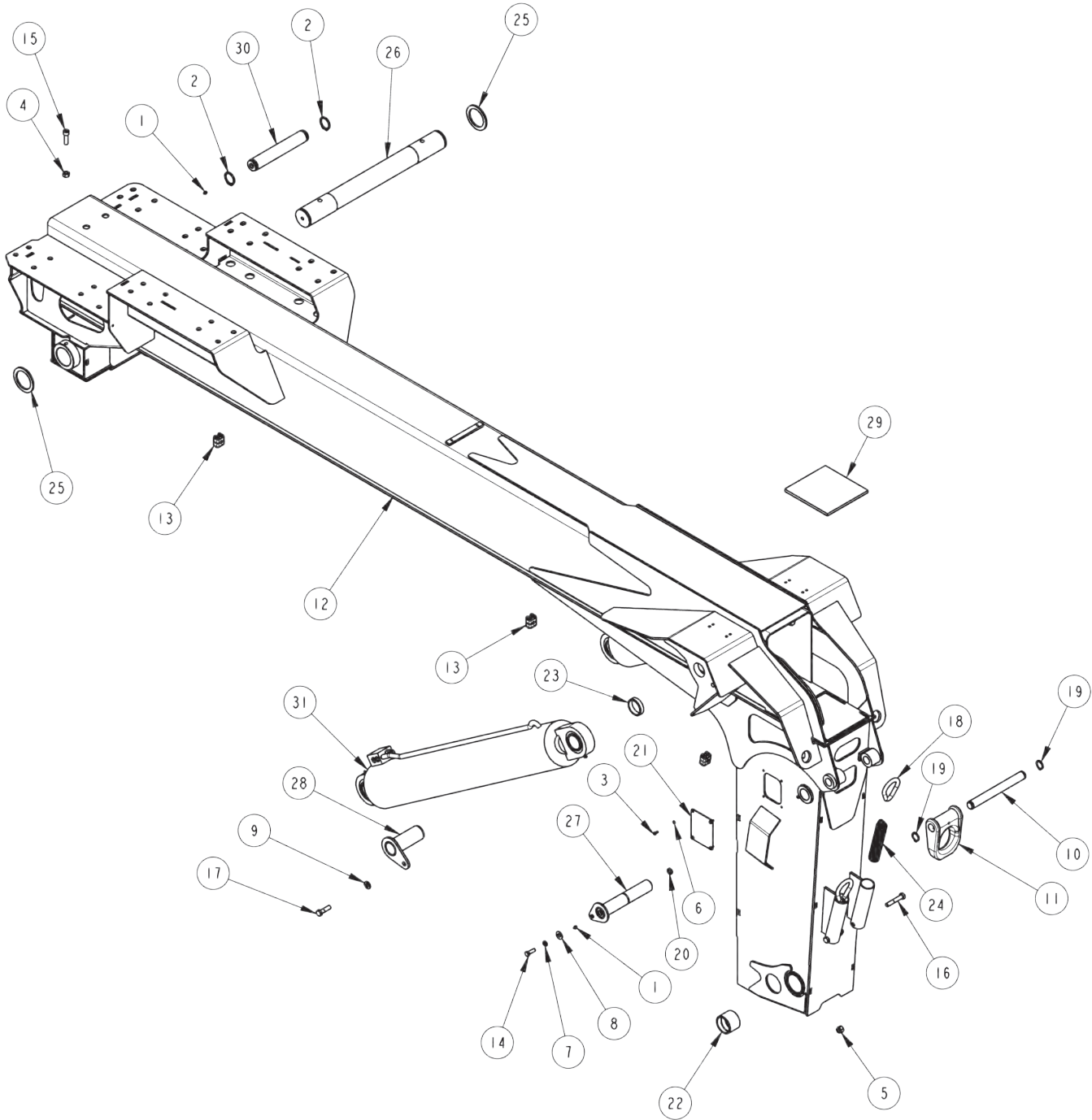
Section I - PARTS (cont'd)

RH BODY ASSEMBLY

| ITEM | PART NUMBER | DESCRIPTION | QTY |
|------|-------------|----------------------------------|-----|
| 1 | 0300117 | GROMMET RUBBER | 2 |
| 2 | 0301696 | ELBOW, 6MJ-6FJX90 | 2 |
| 3 | 0302201 | BACKUP LIGHT W/ GROMMET & PLUG | 1 |
| 4 | 0302205 | GAUGE, FLUSH MOUNT 6000 PSI | 2 |
| 5 | 0302577 | CONNECTOR, 6MJ-4FP | 2 |
| 6 | 0303128 | GROMMET, TAIL LIGHT | 3 |
| 7 | 0306684 | LIGHT, BACKUP | 1 |
| 8 | 0306685 | GROMMET, LED LIGHT 45 STT | 4 |
| 9 | 0307215 | LED LIGHT, RED 45 STT | 2 |
| 10 | 0307216 | LED LIGHT, AMBER 45 REAR TURN | 1 |
| 11 | 0307220 | LIGHT OVAL AMBER 60 LED | 3 |
| 12 | 0307538 | LIGHT, MRKR-RED LED 4.5 X 1.63 | 2 |
| 13 | 0311017 | 2010 VULCAN AL. BODY 180CB | 1 |
| 14 | 0400070 | 1/4-20 X 1 HHCS GR5 ZP | 3 |
| 15 | 0400451 | 1/4 FLAT WASHER ZP | 3 |
| 16 | 0402020 | 1/4-20 X 3/4 HHCS SS | 8 |
| 17 | 0402043 | 3/8-16 X 1-1/4 HHCS SS | 4 |
| 18 | 0402110 | 1/4 FLATWASHER 316 STAINLESS | 8 |
| 19 | 0402111 | 1/4 LOCKWASHER 316 STAINLESS | 8 |
| 20 | 0402120 | 3/8 FLATWASHER 316 SS | 8 |
| 21 | 0402121 | 3/8 LOCKWASHER 316 STAINLESS | 4 |
| 22 | 0402122 | HEX NUT 316 STAINLESS | 4 |
| 23 | 9024041 | MCGILL SWITCH | 4 |
| 24 | 9025049 | INT. COMPARTMENT LIGHT W/ SWITCH | 2 |
| 25 | 920400005 | MUD FLAP BRACE PLATE | 1 |
| 26 | 942480003 | D.C.V. UPPER PANEL | 1 |
| 27 | 942480200 | D.C.V. LOWER PANEL WELDMENT | 1 |
| 28 | 942480300 | LH MTG ANGLE WELDMENT | 1 |
| 29 | 942487300 | RH MTG ANGLE WELDMENT | 1 |
| 30 | 94320052 | MUDFLAP | 1 |

Section I - PARTS (cont'd)

OUTER BOOM ASSEMBLY - 2 STAGE

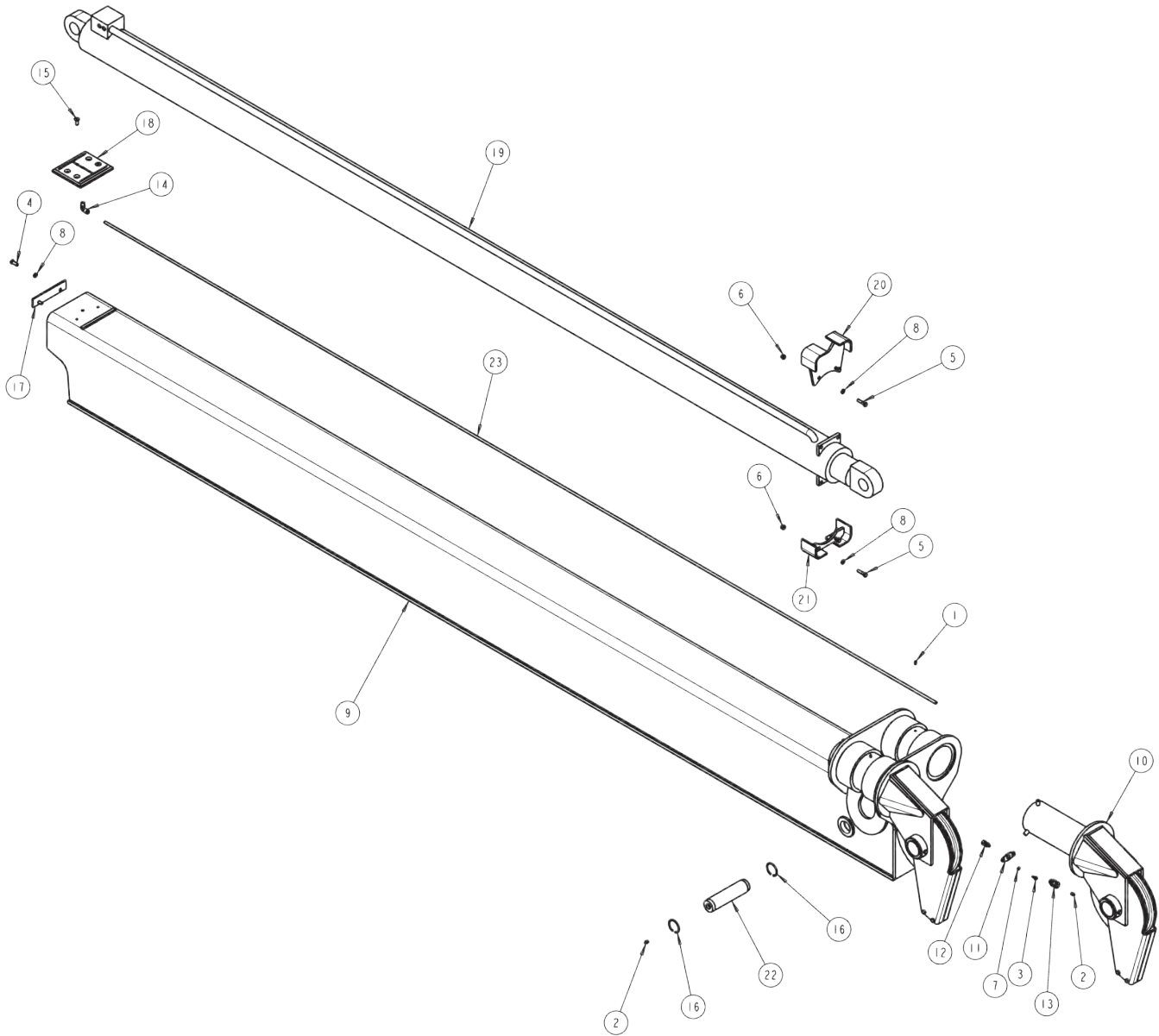


Section I - PARTS (cont'd)

OUTER BOOM ASSEMBLY - 2 STAGE

| ITEM | PART NUMBER | DESCRIPTION | QTY |
|------|-------------|------------------------------------|-----|
| 1 | 0301895 | GREASE FITTING, 1/8 NPT STRAIGHT | 2 |
| 2 | 0302776 | SNAP RING - EXTERNAL 2" | 2 |
| 3 | 0400059 | 1/4-20 x 5/8 HHCS GR 5 ZP | 4 |
| 4 | 0400424 | 5/8-18 HEX NUT ZP | 2 |
| 5 | 0400426 | 5/8-11 NYLOCK NUT GR.8 ZP | 2 |
| 6 | 0400452 | 1/4 HELICAL LOCK WASHER ZP | 4 |
| 7 | 0400491 | 1/2 HELICAL LOCK WASHER ZP | 1 |
| 8 | 0400492 | 1/2 FLAT WASHER ZP | 1 |
| 9 | 0400505 | 5/8 FLAT WASHER SAE | 2 |
| 10 | 0715517 | PIN - "D" RING OUTER BOOM WELDMENT | 1 |
| 11 | 0719585 | "D" RING - TOWING | 1 |
| 12 | 0810006 | OUTER BOOM WLMT (V-100) | 1 |
| 13 | 9018255 | 1/2 TUBE CLAMP FM2127-PP | 12 |
| 14 | 9041403 | 1/2-13 x 1-1/2 HHCS GR 8 ZP | 1 |
| 15 | 9043605 | SCREW, 5/8"-11 X 4-1/2" SKT HD CAP | 2 |
| 16 | 9043975 | 5/8-11 x 3-1/2 UNC HHCS GR 8 | 2 |
| 17 | 9044409 | 5/8-11 x 2-1/4 HHCS GR8 ZP | 2 |
| 18 | 9048800 | 5/8 WELDLESS CHAIN LINK | 2 |
| 19 | 9056137 | SNAP RING, 2-1/4" | 2 |
| 20 | 920255003 | SPACER - LOCK PIN WELD'T | 1 |
| 21 | 930290002 | COVER PLATE | 1 |
| 22 | 9400004 | BRONZE BUSHING | 2 |
| 23 | 945020001 | WASHER PLATE, LOWER LIFT CYLINDER | 2 |
| 24 | 945030007 | SPRING - HOSE TENSIONER | 2 |
| 25 | 945040001 | MAIN BOOM PIVOT | 2 |
| 26 | 945350001 | PIVOT PIN, MAIN BOOM TO SUBFRAME | 1 |
| 27 | 945350500 | PIN WELD'T-TILT CLY UPPER | 1 |
| 28 | 945351500 | PIN WELDMENT - LOWER LIFT CYL | 2 |
| 29 | 946030005 | LOWER WEAR PAD-RECOVERY | 1 |
| 30 | 946350001 | PIN MAIN BOOM EXT CYL FRONT | 1 |
| 31 | 946700000 | CYLINDER ASSEMBLY | 2 |

Section I - PARTS (cont'd)
INNER BOOM ASSEMBLY - 2 STAGE



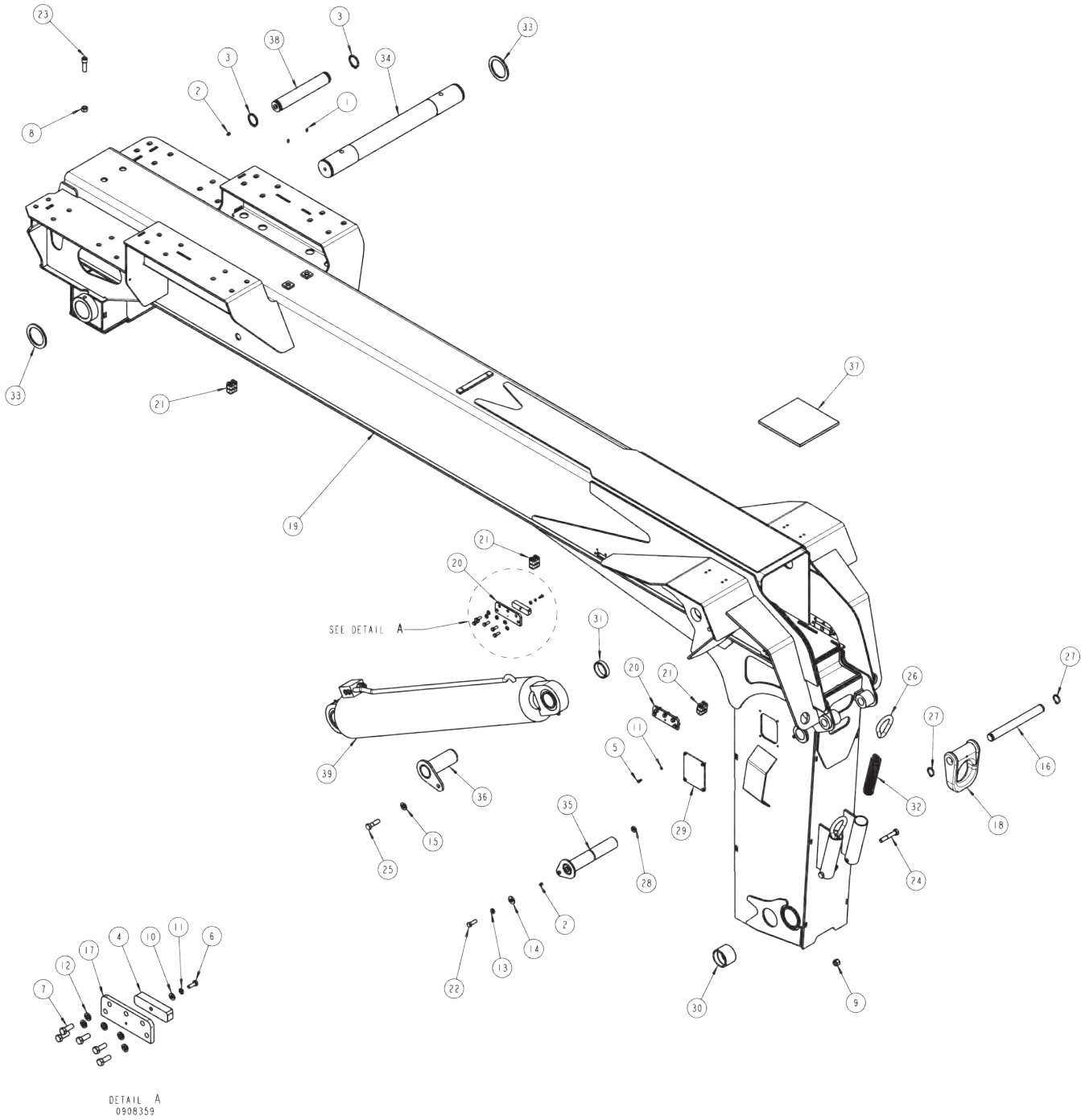
Section I - PARTS (cont'd)

INNER BOOM ASSEMBLY - 2 STAGE

| ITEM | PART NUMBER | DESCRIPTION | QTY |
|------|-------------|------------------------------------|-----|
| 1 | 0300113 | GREASE FITTING, 1/4-28 STRAIGHT SS | 2 |
| 2 | 0301895 | GREASE FITTING, 1/8 NPT STRAIGHT | 2 |
| 3 | 0400059 | 1/4-20 x 5/8 HHCS GR 5 ZP | 2 |
| 4 | 0400126 | 3/8-16 X 1 HHCS GR.5,ZP | 2 |
| 5 | 0400132 | 3/8-16 X 1 1/2 HHCS GR.5 ZP | 4 |
| 6 | 0400392 | 3/8-16 NYLOCK HEX NUT ZP | 4 |
| 7 | 0400452 | 1/4 HELICAL LOCK WASHER ZP | 2 |
| 8 | 0400482 | 3/8 HELICAL LOCK WASHER ZP | 6 |
| 9 | 0806863 | INNER BOOM WELD'T | 1 |
| 10 | 0908424 | SWIVEL ASSEMBLY | 2 |
| 11 | 3012-793001 | PLATE - LUBE MTG | 1 |
| 12 | 9012549 | CONNECTOR, 3/8 TUBE X 1/8 NPT | 1 |
| 13 | 9012552 | BULKHEAD COUPLING, 1/8 | 1 |
| 14 | 9012584 | ELBOW, 1/4 NPT X 3/8 TUBE 90 | 1 |
| 15 | 9044434 | 3/8-16X1 NC FLAT | 2 |
| 16 | 9054200 | INTERNAL RETAINING RING 2H | 2 |
| 17 | 945030001 | PAD RETAINING PLATE - UPPER | 1 |
| 18 | 945030004 | UPPER WEAR PAD - RECOVERY | 1 |
| 19 | 945710000 | RECOVERY BOOM EXTENSION CYLINDER | 1 |
| 20 | 946032000 | TOP SPIDER CLAMP WELDMENT | 1 |
| 21 | 946032500 | BOTTOM SPIDER CLAMP WELDMENT | 1 |
| 22 | 946350002 | PIN-MAIN BOOM EXT | 1 |
| 23 | 0301949 | 3/8" OD AIRLINE, SYNDFLEX | 1 |

Section I - PARTS (cont'd)

OUTER BOOM ASSEMBLY - 3 STAGE



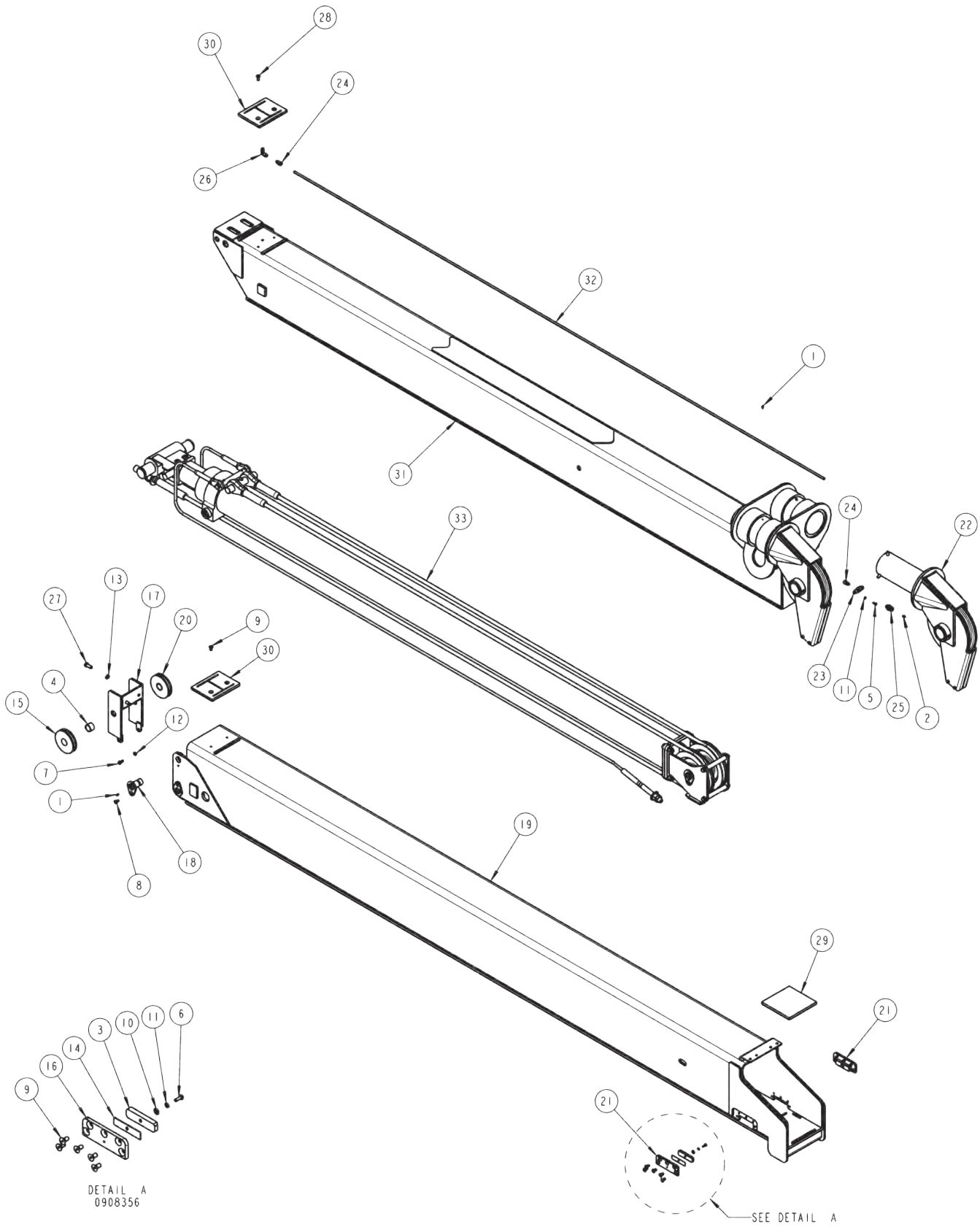
Section I - PARTS (cont'd)

OUTER BOOM ASSEMBLY - 3 STAGE

| ITEM | PART NUMBER | DESCRIPTION | QTY |
|------|-------------|------------------------------------|-----|
| 1 | 0300113 | GREASE FITTING, 1/4-28 STRAIGHT SS | 2 |
| 2 | 0301895 | GREASE FITTING, 1/8 NPT STRAIGHT | 2 |
| 3 | 0302776 | SNAP RING - EXTERNAL 2" | 2 |
| 4 | 0306825 | PAD - WEAR | 4 |
| 5 | 0400059 | 1/4-20 x 5/8 HHCS GR 5 ZP | 8 |
| 6 | 0400066 | 1/4-20 X 3/4 HHCS GR.5,ZP | 4 |
| 7 | 0400126 | 3/8-16 X 1 HHCS GR.5,ZP | 20 |
| 8 | 0400424 | 5/8-18 HEX NUT ZP | 2 |
| 9 | 0400426 | 5/8-11 NYLOCK NUT GR.8 ZP | 2 |
| 10 | 0400451 | 1/4 FLAT WASHER ZP | 4 |
| 11 | 0400452 | 1/4 HELICAL LOCK WASHER ZP | 12 |
| 12 | 0400482 | 3/8 HELICAL LOCK WASHER ZP | 20 |
| 13 | 0400491 | 1/2 HELICAL LOCK WASHER ZP | 1 |
| 14 | 0400492 | 1/2 FLAT WASHER ZP | 1 |
| 15 | 0400505 | 5/8 FLAT WASHER SAE | 2 |
| 16 | 0715517 | PIN - "D" RING OUTER BOOM WELDMENT | 1 |
| 17 | 0717746 | PLATE - SLIDE PAD SUPPORT | 4 |
| 18 | 0719585 | "D" RING - TOWING | 1 |
| 19 | 0807971 | OUTER BOOM WLMT (V-100) | 1 |
| 20 | 0908359 | SLIDE PAD ASSEMBLY | 4 |
| 21 | 9018255 | 1/2 TUBE CLAMP FM2127-PP | 12 |
| 22 | 9041403 | 1/2-13 x 1-1/2 HHCS GR 8 ZP | 1 |
| 23 | 9043605 | SCREW, 5/8"-11 X 4-1/2" SKT HD CAP | 2 |
| 24 | 9043975 | 5/8-11 x 3-1/2 UNC HHCS GR 8 | 2 |
| 25 | 9044409 | 5/8-11 x 2-1/4 HHCS GR8 ZP | 2 |
| 26 | 9048800 | 5/8 WELDLESS CHAIN LINK | 2 |
| 27 | 9056137 | SNAP RING, 2-1/4" | 2 |
| 28 | 920255003 | SPACER - LOCK PIN WELD'T | 1 |
| 29 | 930290002 | COVER PLATE | 2 |
| 30 | 9400004 | BRONZE BUSHING | 2 |
| 31 | 945020001 | WASHER PLATE, LOWER LIFT CYLINDER | 2 |
| 32 | 945030007 | SPRING - HOSE TENSIONER | 2 |
| 33 | 945040001 | MAIN BOOM PIVOT | 2 |
| 34 | 945350001 | PIVOT PIN, MAIN BOOM TO SUBFRAME | 1 |
| 35 | 945350500 | PIN WELD'T-TILT CLY UPPER | 1 |
| 36 | 945351500 | PIN WELDMENT - LOWER LIFT CYL | 2 |
| 37 | 946030005 | LOWER WEAR PAD-RECOVERY | 1 |
| 38 | 946350001 | PIN MAIN BOOM EXT CYL FRONT | 1 |
| 39 | 946700000 | CYLINDER ASSEMBLY | 2 |
| 40 | 946750000 | TILT CYLINDER | 1 |

Section I - PARTS (cont'd)

INNER BOOM ASSEMBLY - 3 STAGE



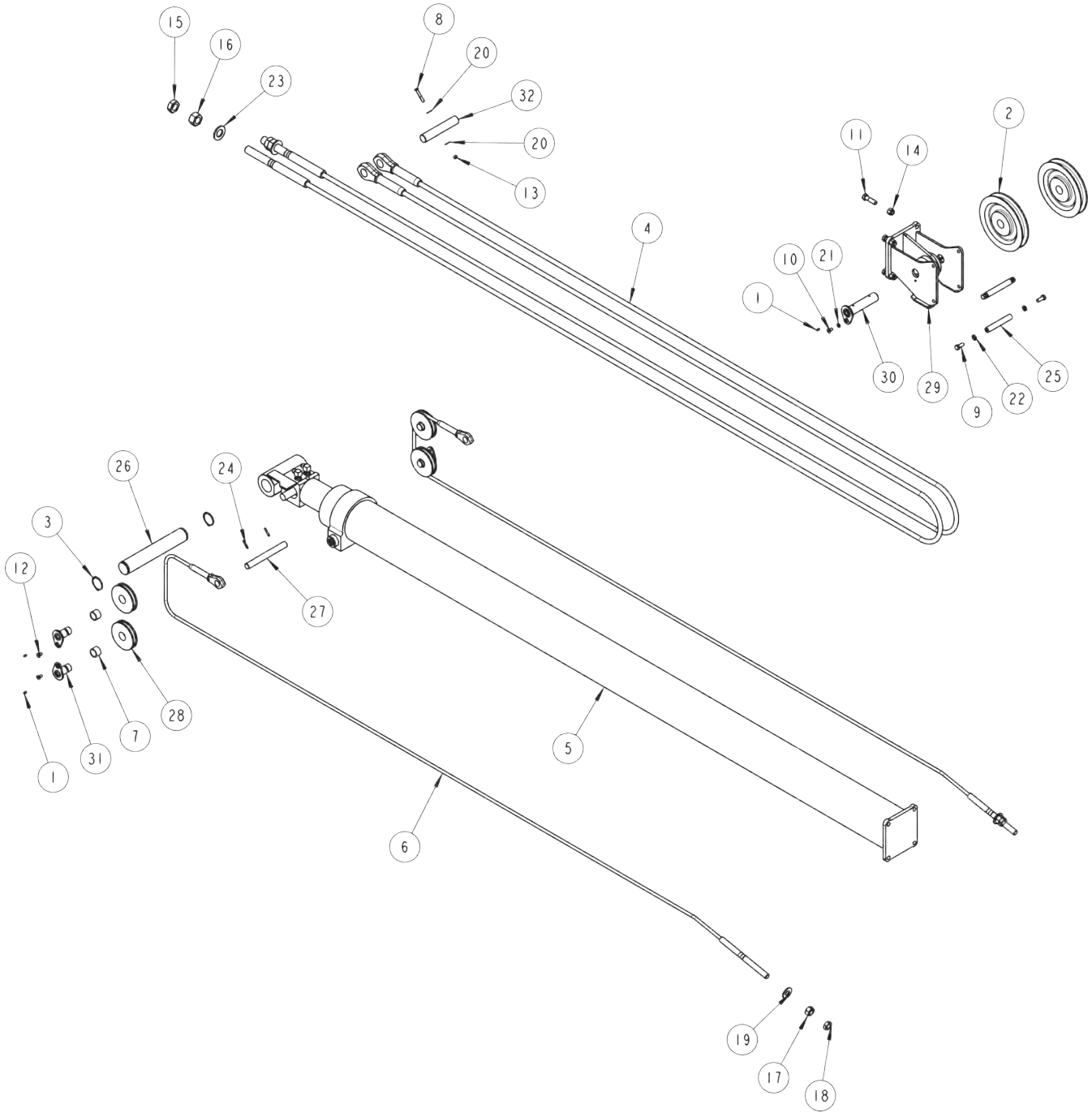
Section I - PARTS (cont'd)

INNER BOOM ASSEMBLY - 3 STAGE

| ITEM | PART NUMBER | DESCRIPTION | QTY |
|------|-------------|------------------------------------|-----|
| 1 | 0300113 | GREASE FITTING, 1/4-28 STRAIGHT SS | 6 |
| 2 | 0301895 | GREASE FITTING, 1/8 NPT STRAIGHT | 1 |
| 3 | 0303490 | WEAR PAD (1/2 x 1 x 4) | 2 |
| 4 | 0307432 | BUSHING - BRONZE | 4 |
| 5 | 0400059 | 1/4-20 x 5/8 HHCS GR 5 ZP | 2 |
| 6 | 0400066 | 1/4-20 X 3/4 HHCS GR.5,ZP | 2 |
| 7 | 0400121 | 3/8-16NC X 3/4 HHCS GR. B | 2 |
| 8 | 0400223 | 3/8-16 X 3/4 FL. HD. SOCKET SCREW | 4 |
| 9 | 0400349 | SCREW, 3/8"-16 X 3/4" FL HD SKT | 12 |
| 10 | 0400451 | 1/4 FLAT WASHER ZP | 2 |
| 11 | 0400452 | 1/4 HELICAL LOCK WASHER ZP | 4 |
| 12 | 0400482 | 3/8 HELICAL LOCK WASHER ZP | 2 |
| 13 | 0400491 | 1/2 HELICAL LOCK WASHER ZP | 2 |
| 14 | 0717262 | SHIM - SLIDE PAD | 2 |
| 15 | 0717909 | SHEAVE - 5" DIA RETRACT | 4 |
| 16 | 0718134 | PLATE - SLIDE PAD SUPPORT | 2 |
| 17 | 0806751 | RETRACT SHEAVE SUPPORT WLD | 1 |
| 18 | 0806752 | SHAFT - RETRACT SHEAVE WELDMENT | 4 |
| 19 | 0806824 | INNER BOOM TUBE WLMT | 1 |
| 20 | 0908118 | SHEAVE ASSEMBLY 5" DIA | 4 |
| 21 | 0908356 | SLIDE PAD ASSEMBLY | 2 |
| 22 | 0908424 | SWIVEL ASSEMBLY | 2 |
| 23 | 3012-793001 | PLATE - LUBE MTG | 1 |
| 24 | 9012549 | CONNECTOR, 3/8 TUBE X 1/8 NPT | 2 |
| 25 | 9012552 | BULKHEAD COUPLING, 1/8 | 1 |
| 26 | 9012584 | ELBOW, 1/4 NPT X 3/8 TUBE 90 | 1 |
| 27 | 9041402 | 1/2-13NC X 1 1/4 HHCS, ZP,GR.8 | 2 |
| 28 | 9044434 | 3/8-16X1 NC FLAT | 2 |
| 29 | 916040004 | WEAR PAD - LOWER | 1 |
| 30 | 946030004 | UPPER WEAR PAD - RECOVERY | 2 |
| 31 | 947270000 | INNER BOOM TUBE WLMT | 1 |
| 32 | 0301949 | 3/8" OD AIRLINE, SYNDFLEX | 1 |
| 33 | 0908119 | EXTENSION SYSTEM | 1 |

Section I - PARTS (cont'd)

3-STAGE BOOM EXTEND SYSTEM



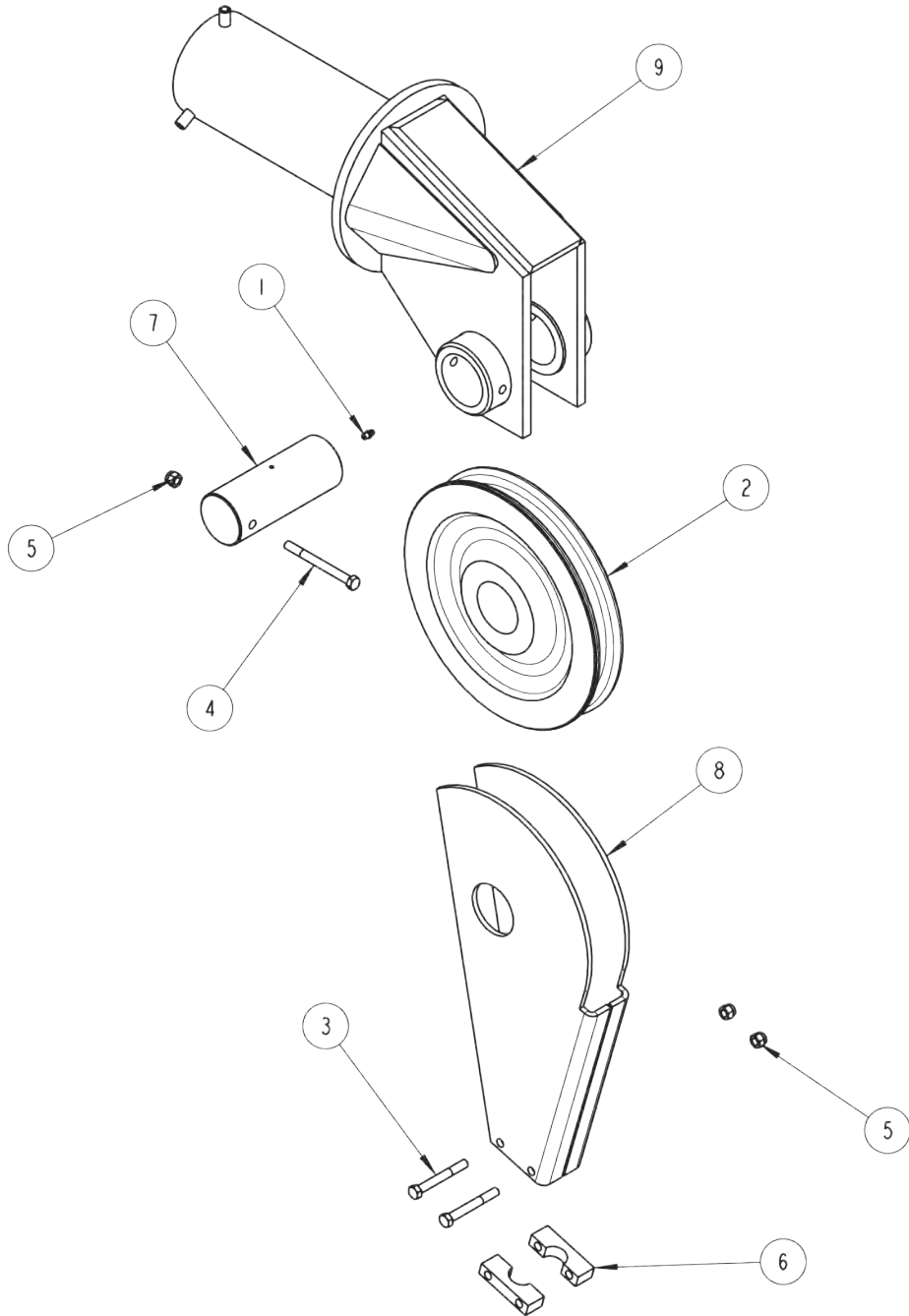
Section I - PARTS (cont'd)

3-STAGE BOOM EXTEND SYSTEM

| ITEM | PART NUMBER | DESCRIPTION | QTY |
|------|-------------|------------------------------------|-----|
| 1 | 0300113 | GREASE FITTING, 1/4-28 STRAIGHT SS | 6 |
| 2 | 0303441 | SHEAVE, 10" | 2 |
| 3 | 0305023 | SNAP RING 5100-0225PP | 2 |
| 4 | 0307160 | CABLE - EXT ASSY 3-STAGE BOOM | 2 |
| 5 | 0307402 | CYLINDER - BOOM EXTEND | 1 |
| 6 | 0307403 | CABLE - ASSY (RETRACT) 3-STAGE | 2 |
| 7 | 0307432 | BUSHING - BRONZE | 4 |
| 8 | 0400146 | 3/8-16 X 2-1/4 HHCS GR.5 ZP | 2 |
| 9 | 0400177 | 1/2-13 X 1 1/4 HHCS GR. 5, ZP | 4 |
| 10 | 0400223 | 3/8-16 X 3/4 FL. HD. SOCKET SCREW | 1 |
| 11 | 0400264 | 5/8-11 X 2-1/4 HHCS GR5 ZP | 4 |
| 12 | 0400349 | SCREW, 3/8"-16 X 3/4" FL HD SKT | 4 |
| 13 | 0400392 | 3/8-16 NYLOCK HEX NUT ZP | 1 |
| 14 | 0400421 | 5/8-11 NYLOCK HEX NUT ZP | 4 |
| 15 | 0400448 | 1-1/4-12 HEX JAM NUT | 2 |
| 16 | 0400461 | 1-1/4-12 NEX NUT GR8 ZP | 2 |
| 17 | 0400471 | 7/8-14 UNF HEX NUT | 2 |
| 18 | 0400472 | 7/8-14 UNF HEX NUT JAM | 2 |
| 19 | 0400473 | 7/8 FLATWASHER HARDENED | 2 |
| 20 | 0400480 | 3/8 FLAT WASHER ZP | 2 |
| 21 | 0400483 | LOCKWASHER, 3/8" COUNTERSUNK | 1 |
| 22 | 0400491 | 1/2 HELICAL LOCK WASHER ZP | 4 |
| 23 | 0400501 | WASH - SAE 1 1/4 HARDENED PL | 2 |
| 24 | 0400587 | 1/4 X 1-1/2 ROLL PIN ZP | 2 |
| 25 | 0717743 | ROD - EXTEND SHEAVE SPACER | 2 |
| 26 | 0717744 | PIN - EXTEND CYLINDER | 1 |
| 27 | 0717747 | PIN - CABLE RETRACT | 1 |
| 28 | 0717909 | SHEAVE - 5" DIA RETRACT | 4 |
| 29 | 0806721 | EXTEND SHEAVE BRACKET WELDMENT | 1 |
| 30 | 0806722 | SHAFT, EXTENSION SHEAVE WELDMENT | 1 |
| 31 | 0806752 | SHAFT - RETRACT SHEAVE WELDMENT | 4 |
| 32 | GA0215 | PIN, D RING | 2 |

Section I - PARTS (cont'd)

BOOM SWIVEL ASSEMBLY



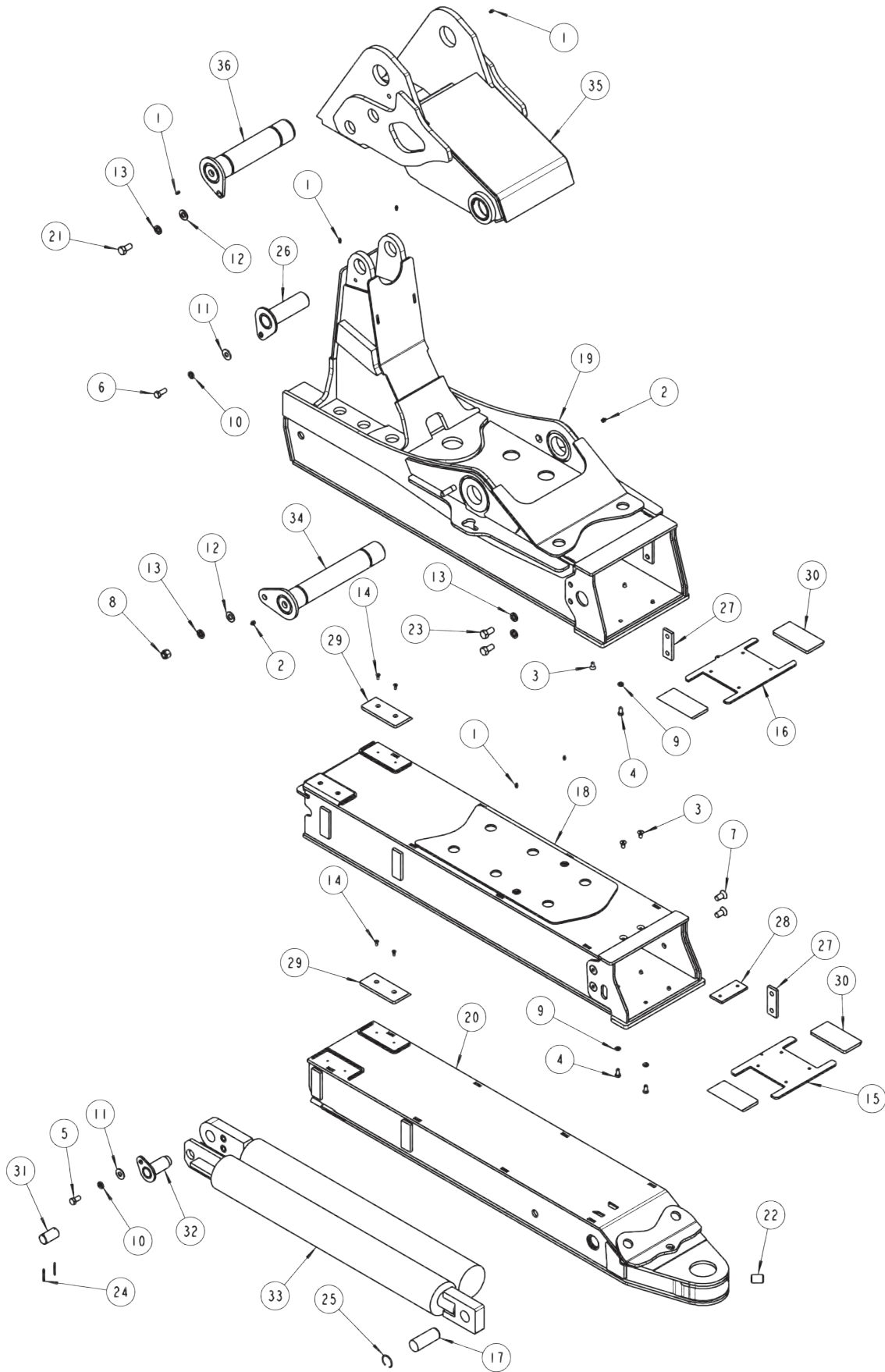
Section I - PARTS (cont'd)

BOOM SWIVEL ASSEMBLY

| ITEM | PART NUMBER | DESCRIPTION | QTY |
|------|-------------|------------------------------------|-----|
| 1 | 0300113 | GREASE FITTING, 1/4-28 STRAIGHT SS | 1 |
| 2 | 0300311 | SHEAVE - 12-10-1BB 10 | 1 |
| 3 | 0400133 | 3/8-16 X 3 HHCS GR.5,ZP | 2 |
| 4 | 0400140 | 3/8-16 X 4 HHCS GR.5,ZP | 1 |
| 5 | 0400392 | 3/8-16 NYLOCK HEX NUT ZP | 3 |
| 6 | 0700511 | GUIDE - BOTTOM CABLE | 2 |
| 7 | 0700563 | SHAFT - SHEAVE | 1 |
| 8 | 0802027 | CABLE GUIDE WELDMENT | 1 |
| 9 | 0806862 | BOOM END SWIVEL WELDMENT | 1 |

Section I - PARTS (cont'd)

STANDARD STINGER ASSEMBLY



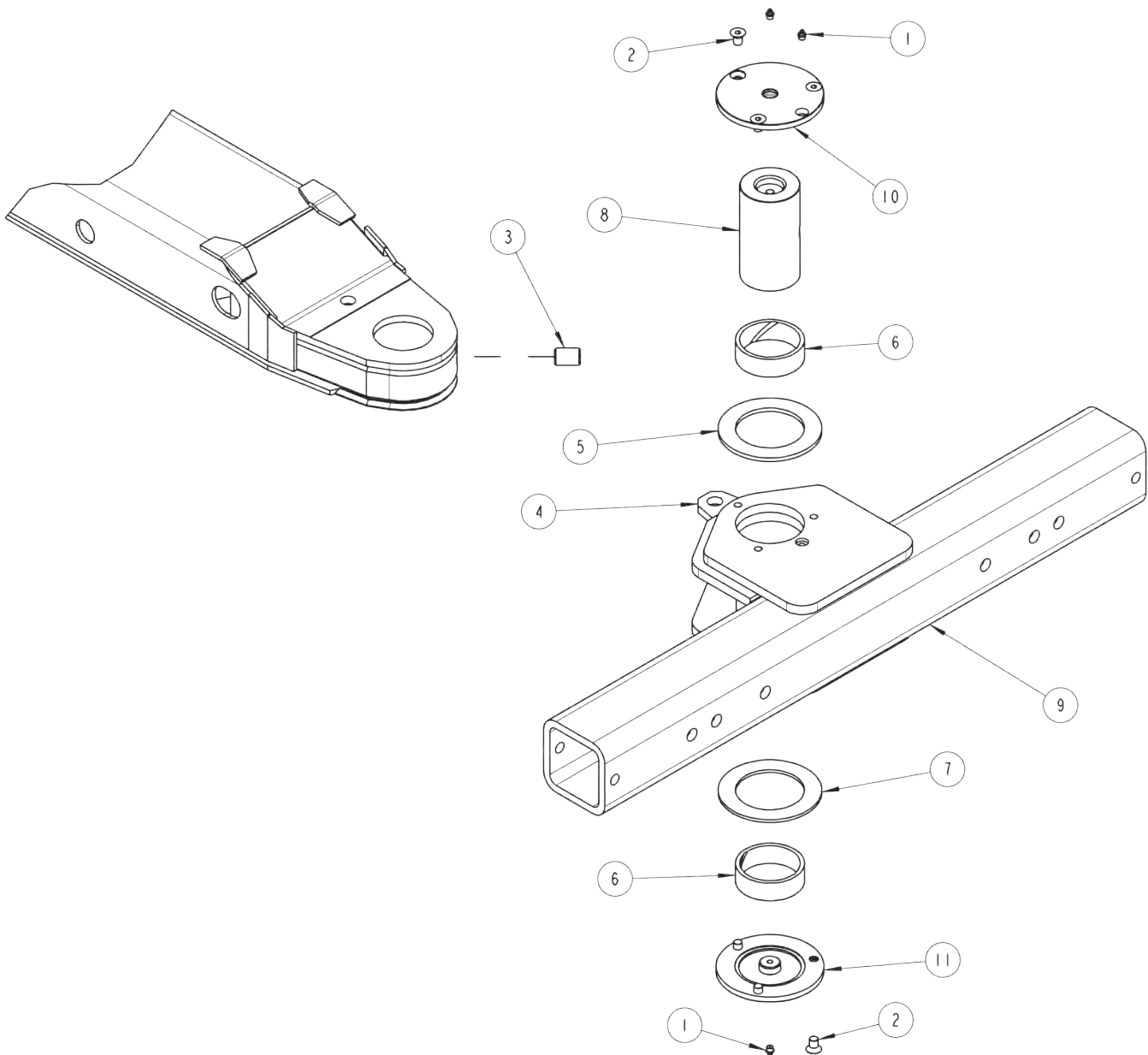
Section I - PARTS (cont'd)

STANDARD STINGER ASSEMBLY

| ITEM | PART NUMBER | DESCRIPTION | QTY |
|------|-------------|---------------------------------------|-----|
| 1 | 0300113 | GREASE FITTING, 1/4-28 STRAIGHT | 6 |
| 2 | 0301895 | GREASE FITTING, 1/8 NPT STRAIGHT | 2 |
| 3 | 0400134 | 3/8-24 X 3/4 FLATHEAD SOCKET SCREW | 4 |
| 4 | 0400151 | 3/8-24 X 3/4 HHCS GR5 ZP | 6 |
| 5 | 0400176 | 1/2-13 X 1 HHCS GR5 ZP | 1 |
| 6 | 0400177 | 1/2-13 X 1 1/4 HHCS GR5 ZP | 1 |
| 7 | 0400345 | SCREW - 1/4"-20 X 5/8" FL SKT HD | 4 |
| 8 | 0400421 | 5/8-11 NYLOCK HEX NUT ZP | 1 |
| 9 | 0400482 | 3/8 HELICAL LOCKWASHER ZP | 6 |
| 10 | 0400491 | 1/2 HELICAL LOCKWASHER ZP | 2 |
| 11 | 0400492 | 1/2 FLAT WASHER ZP | 2 |
| 12 | 0400505 | 5/8 FLAT WASHER SAE | 2 |
| 13 | 0400508 | 5/8 HELICAL LOCK WASHER ZP | 6 |
| 14 | 0400594 | SCREW - 1/4"-20 X 5/8" FL SKT HD | 8 |
| 15 | 0723463 | PLATE, PAD CAGE - 1ST STAGE STINGER | 1 |
| 16 | 0723476 | PLATE, PAD CAGE - FOLDING BOOM | 1 |
| 17 | 0724348 | PIN, PIN WELD'T - STINGER EXT. - REAR | 1 |
| 18 | 0807763 | 1ST STAGE STINGER WELDMENT | 1 |
| 19 | 0807765 | FOLDING BOOM WELDMENT - 116" REACH | 1 |
| 20 | 0810009 | 2ND STAGE STINGER WELDMENT | 1 |
| 21 | 9040602 | 5/8-11 X 1-1/4 HHCS GR8 ZP | 1 |
| 22 | 9044170 | 1-8X1-1/2 SOC SET SCREW | 1 |
| 23 | 9044471 | SCREW, 5/8"-18 X 1-1/4" HEX HD CAP | 4 |
| 24 | 9046315 | ROLL PIN, 3/16" X 1" | 2 |
| 25 | 9054150 | SNAP RING, 1-1/4" NOM INTERNAL | 1 |
| 26 | 924902000 | LOWER PIN WELDMENT TILT CYLINDER | 1 |
| 27 | 930150001 | STOP PAD (FOLDING BOOM) | 4 |
| 28 | 930150002 | SPACER (1ST STAGE STINGER) | 1 |
| 29 | 930150003 | TOP PAD | 4 |
| 30 | 930150004 | BOTTOM PAD | 4 |
| 31 | 930150011 | PIN CYLINDER 1ST STAGE STINGER | 1 |
| 32 | 930152000 | FRONT MTG. PIN WELDMENT STINGER | 1 |
| 33 | 930770500 | STINGER EXT. CYLINDER | 1 |
| 34 | 930901500 | SHAFT WELDMENT FOLDING BOOM PIVOT | 1 |
| 35 | 945300000 | PIVOT FOOT WELDMENT | 1 |
| 36 | 945351000 | SHAFT WELDMENT FOLDING BOOM PIVOT | 1 |

Section I - PARTS (cont'd)

CROSSBAR ASSEMBLY



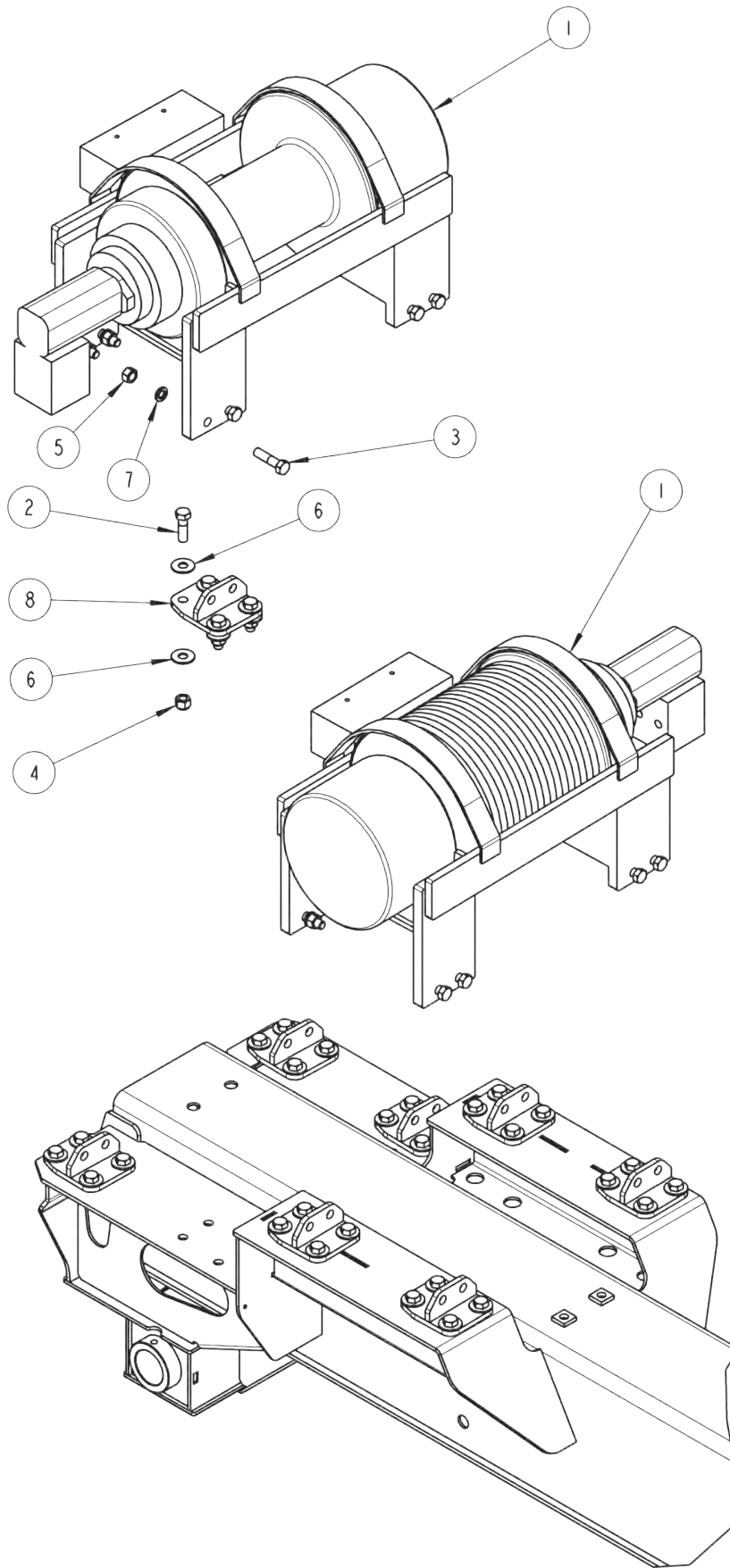
Section I - PARTS (cont'd)

CROSSBAR ASSEMBLY

| ITEM | PART NUMBER | DESCRIPTION | QTY |
|------|-------------|-------------------------------------|-----|
| 1 | 0301895 | GREASE FITTING, 1/8 NPT STRAIGHT | 3 |
| 2 | 9043800 | 1/2-13 X 1 FLAT HEAD SOCKET CAP SCR | 6 |
| 3 | 9044170 | 1-8X1-1/2 SOC SET SCREW | 1 |
| 4 | 915150004 | LUG PLATE CROSSBAR ASSEMBLY | 1 |
| 5 | 915150005 | THURST WASHER (.25 THK) | 1 |
| 6 | 945510006 | BEARING - ALUMINUM BRONZE | 2 |
| 7 | 945510007 | THURST WASHER (.19 THK) | 1 |
| 8 | 946350005 | PIVOT PIN | 1 |
| 9 | 946570500 | 5" CROSSBAR WELDMENT | 1 |
| 10 | 946571000 | TOP COVER PLATE WELDMENT | 1 |
| 11 | 946571100 | BOTTOM COVER PLATE WELDMENT | 1 |

Section I - PARTS (cont'd)

WINCH ASSEMBLY



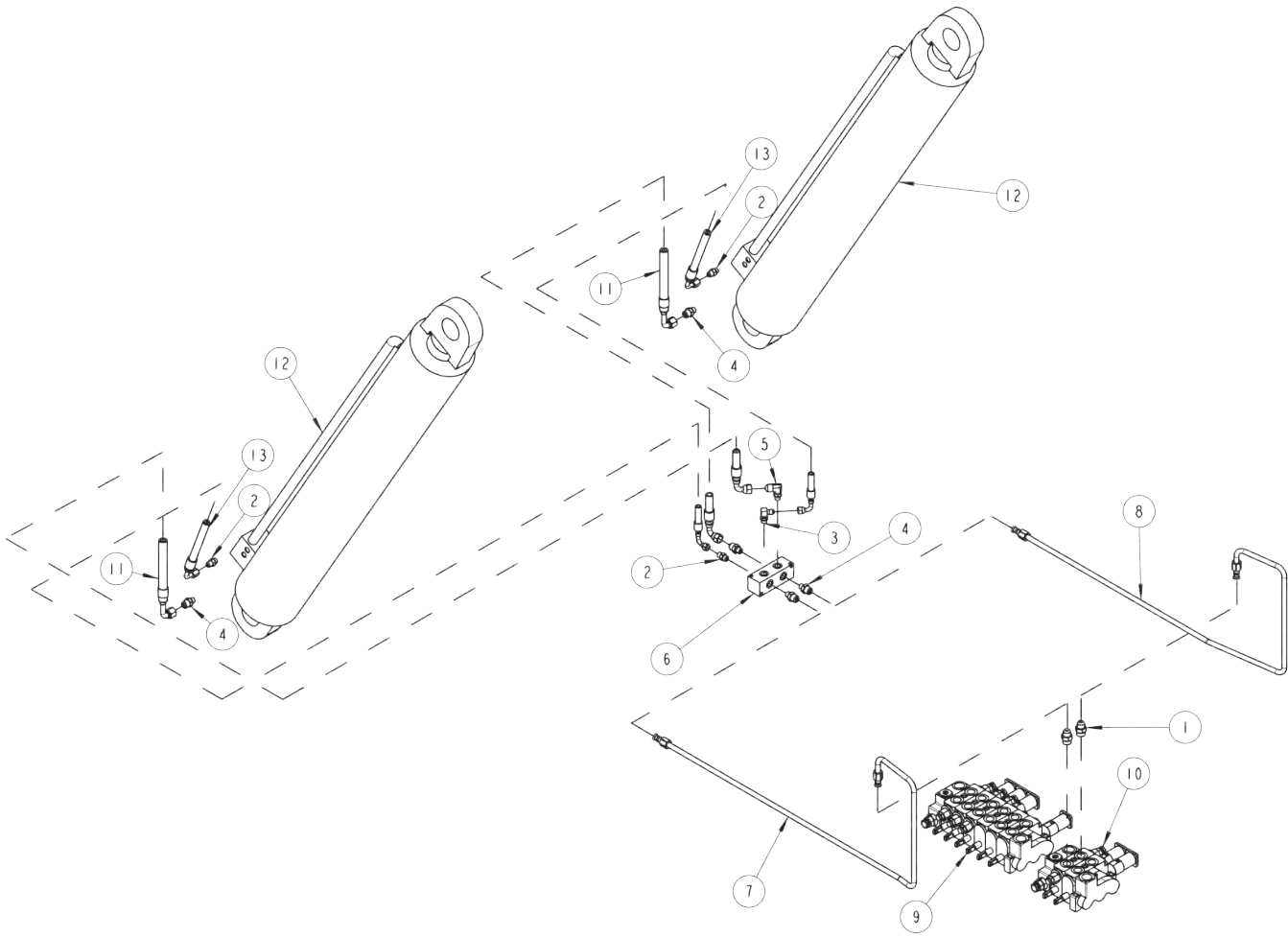
Section I - PARTS (cont'd)

WINCH ASSEMBLY

| ITEM | PART NUMBER | DESCRIPTION | QTY |
|------|-------------|-------------------------------|-----|
| 1 | 0303505 | WINCH, DP MODEL S50-50K | 2 |
| 2 | 0400288 | 3/4-10 X 2-1/2 HHCS GR.8 GOLD | 32 |
| 3 | 0400289 | 3/4-10 X 3 HHCS GR.8 GOLD | 16 |
| 4 | 0400431 | 3/4-10 NYLOCK HEX NUT GR.8 ZP | 32 |
| 5 | 0400440 | NUT, 3/4"-10 HEX JAM ZP | 16 |
| 6 | 0400489 | WASHER, 3/4 SAE FLAT HARDENED | 64 |
| 7 | 0400511 | 3/4 HELICAL LOCK WASHER ZP | 16 |
| 8 | 0807965 | WINCH MTG BRACKET | 8 |

Section I - PARTS (cont'd)

BOOM LIFT HYDRAULICS



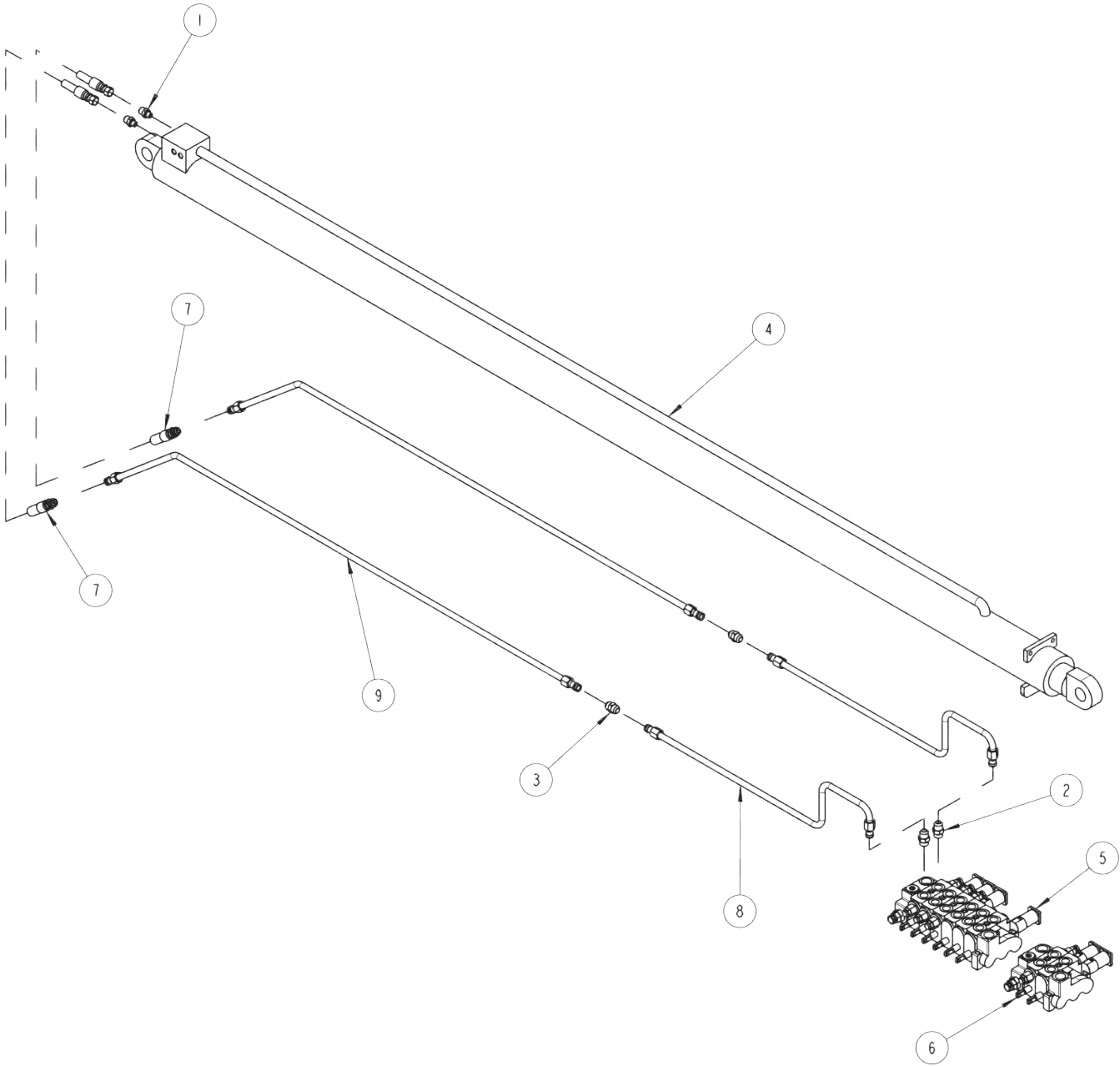
Section I - PARTS (cont'd)

BOOM LIFT HYDRAULICS

| ITEM | PART NUMBER | DESCRIPTION | QTY |
|------|-------------|-----------------------------------|-----|
| 1 | 0301376 | CONNECTOR 8MJX10MB | 2 |
| 2 | 0301522 | CONNECTOR 6MJ-6MB | 3 |
| 3 | 0301620 | FITTING, ELBOW, 6MJ-6MB90 | 1 |
| 4 | 0302275 | CONNECTOR 8MJX6MB | 5 |
| 5 | 0302276 | ELBOW, 8MJ-6MB90 | 1 |
| 6 | 0306700 | MANIFOLD BLOCK | 1 |
| 7 | 0310840 | HYD TUBE ASSY BOOM LIFT -"A" PORT | 1 |
| 8 | 0310841 | HYD TUBE ASSY BOOM LIFT (PORT B) | 1 |
| 9 | 9016021 | VALVE 6 SPOOL | 1 |
| 10 | 9016022 | VALVE 2 SPOOL | 1 |
| 11 | 915770002 | HOSE ASSEMBLY, 12" LG | 2 |
| 12 | 946700000 | BOOM LIFT CYLINDER | 2 |
| 13 | 946770001 | HOSE ASSEMBLY MAIN LIFT CYLINDER | 2 |

Section I - PARTS (cont'd)

2-STAGE BOOM EXTEND HYDRAULICS



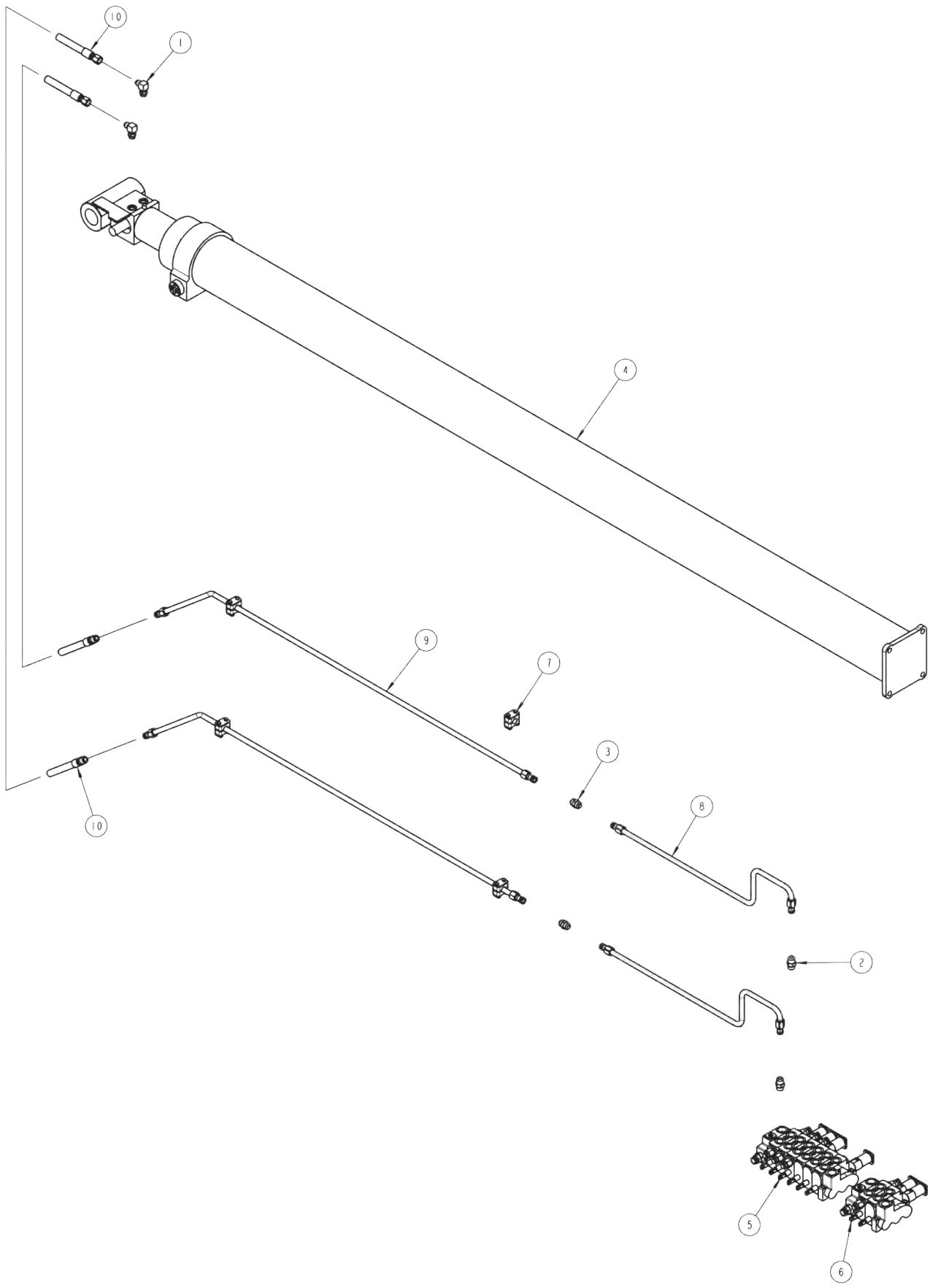
Section I - PARTS (cont'd)

2-STAGE BOOM EXTEND HYDRAULICS

| ITEM | PART NUMBER | DESCRIPTION | QTY |
|------|-------------|---------------------------------|-----|
| 1 | 0302275 | CONNECTOR 8MJX6MB | 2 |
| 2 | 0302827 | CONNECTOR 10MJX10MB | 2 |
| 3 | 0307003 | INLINE ORIFICE | 2 |
| 4 | 945710000 | CYLINDER - BOOM EXTEND | 1 |
| 5 | 9016021 | VALVE 6 SPOOL | 1 |
| 6 | 9016022 | VALVE 2 SPOOL | 1 |
| 7 | 945770007 | 8AT2(10MJ-8FJ) HCL 48 | 2 |
| 8 | 946760003 | HYD TUBE ASSY. MAIN BOOM EXT. | 2 |
| 9 | 946760017 | HYD TUBE ASSY. 5/8" END SECTION | 2 |

Section I - PARTS (cont'd)

3-STAGE BOOM EXTEND HYDRAULICS

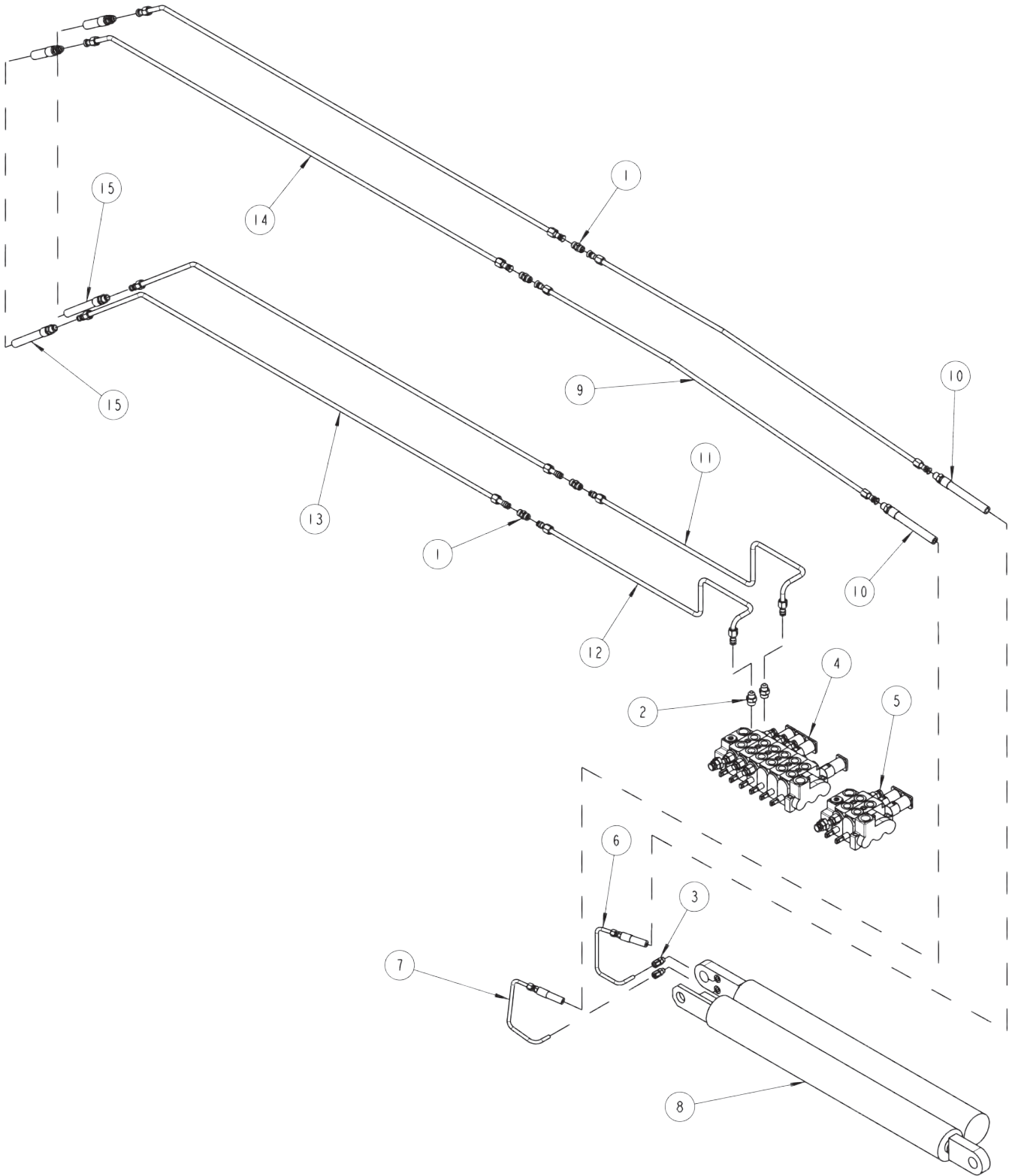


Section I - PARTS (cont'd)

3-STAGE BOOM EXTEND HYDRAULICS

| ITEM | PART NUMBER | DESCRIPTION | QTY |
|------|-------------|---------------------------------------|-----|
| 1 | 0301388 | ELBOW, 8MJ-8MB90 | 2 |
| 2 | 0302827 | CONNECTOR 10MJX10MB | 2 |
| 3 | 0307003 | INLINE ORIFICE | 2 |
| 4 | 0307402 | CYLINDER - BOOM EXTEND | 1 |
| 5 | 9016021 | VALVE 6 SPOOL | 1 |
| 6 | 9016022 | VALVE 2 SPOOL | 1 |
| 7 | 9018256 | TUBE CLAMP, 3/4" | 4 |
| 8 | 946760003 | HYDRAULIC TUBE ASSY. MAIN BOOM EXT. | 2 |
| 9 | 946760017 | HYDRAULIC TUBE ASSY. 5/8" END SECTION | 2 |
| 10 | 946770006 | HOSE ASSEMBLY, 30" LG | 2 |

Section I - PARTS (cont'd)
UNDERLIFT EXTEND HYDRAULICS



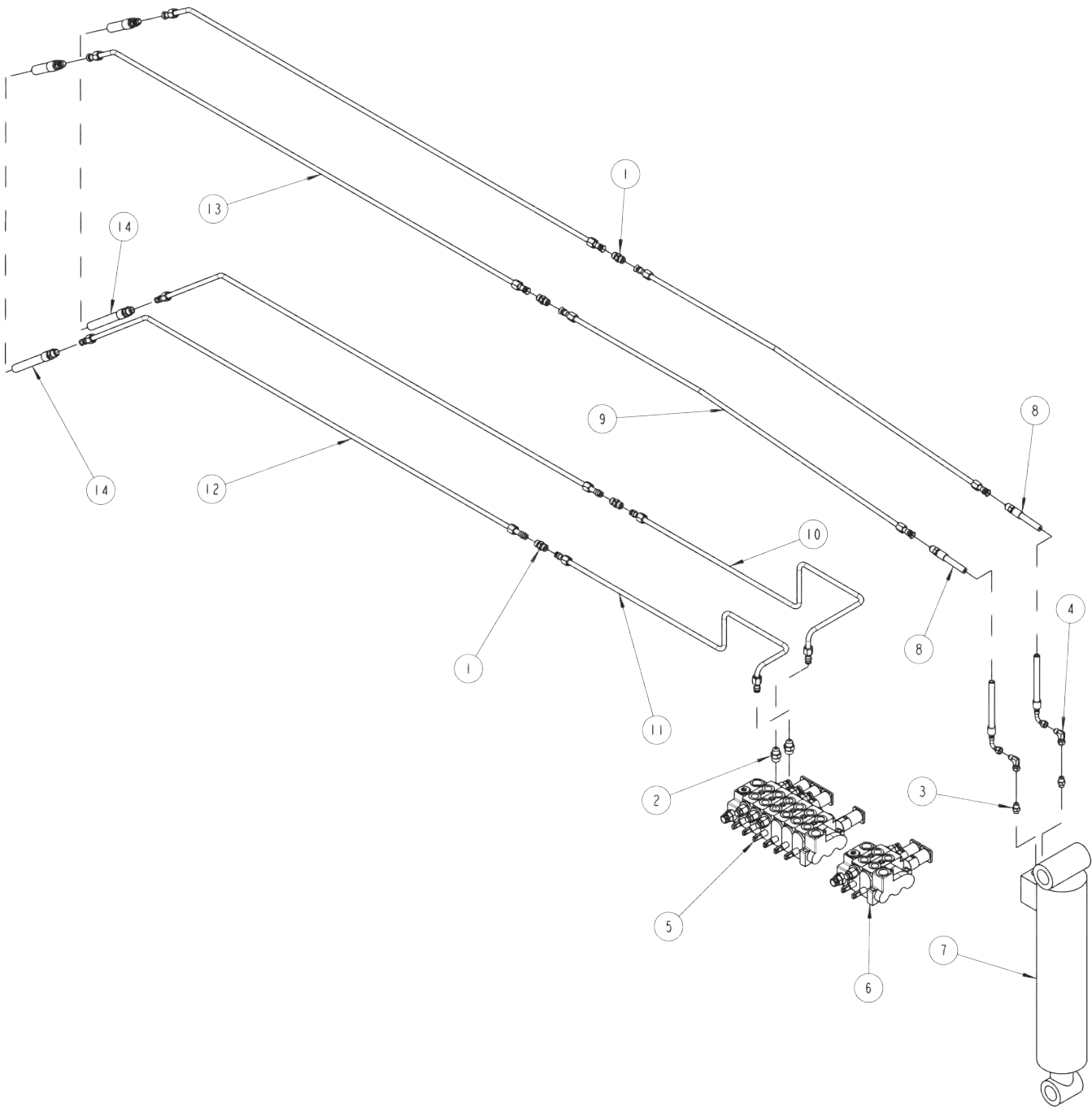
Section I - PARTS (cont'd)

UNDERLIFT EXTEND HYDRAULICS

| ITEM | PART NUMBER | DESCRIPTION | QTY |
|------|-------------|------------------------------------|-----|
| 1 | 0300865 | ADAPTER, 8MJ-6MJ | 4 |
| 2 | 0301376 | CONNECTOR 8MJX10MB | 2 |
| 3 | 9012510 | CONNECTOR, 9/16" SAE X 3/8" TUBE | 2 |
| 4 | 9016021 | VALVE 6 SPOOL | 1 |
| 5 | 9016022 | VALVE 2 SPOOL | 1 |
| 6 | 915760022 | STINGER SUPPLY TUBE | 1 |
| 7 | 915760023 | STINGER SUPPLY TUBE | 1 |
| 8 | 916720000 | STINGER EXT. CYLINDER | 1 |
| 9 | 916760001 | HYDRAULIC TUBE ASSY | 2 |
| 10 | 916770001 | HOSE ASSEMBLY, 30" LG | 2 |
| 11 | 946760004 | HYD TUBE ASSY. STINGER EXT. A PORT | 1 |
| 12 | 946760005 | HYD TUBE ASSY. STINGER EXT. B PORT | 1 |
| 13 | 946760018 | HYD TUBE ASSY. 1/2" END SECTION | 2 |
| 14 | 946760019 | HYD TUBE ASSY | 2 |
| 15 | 946770003 | HOSE ASSEMBLY, 45" LG | 2 |

Section I - PARTS (cont'd)

UNDERLIFT TILT HYDRAULICS

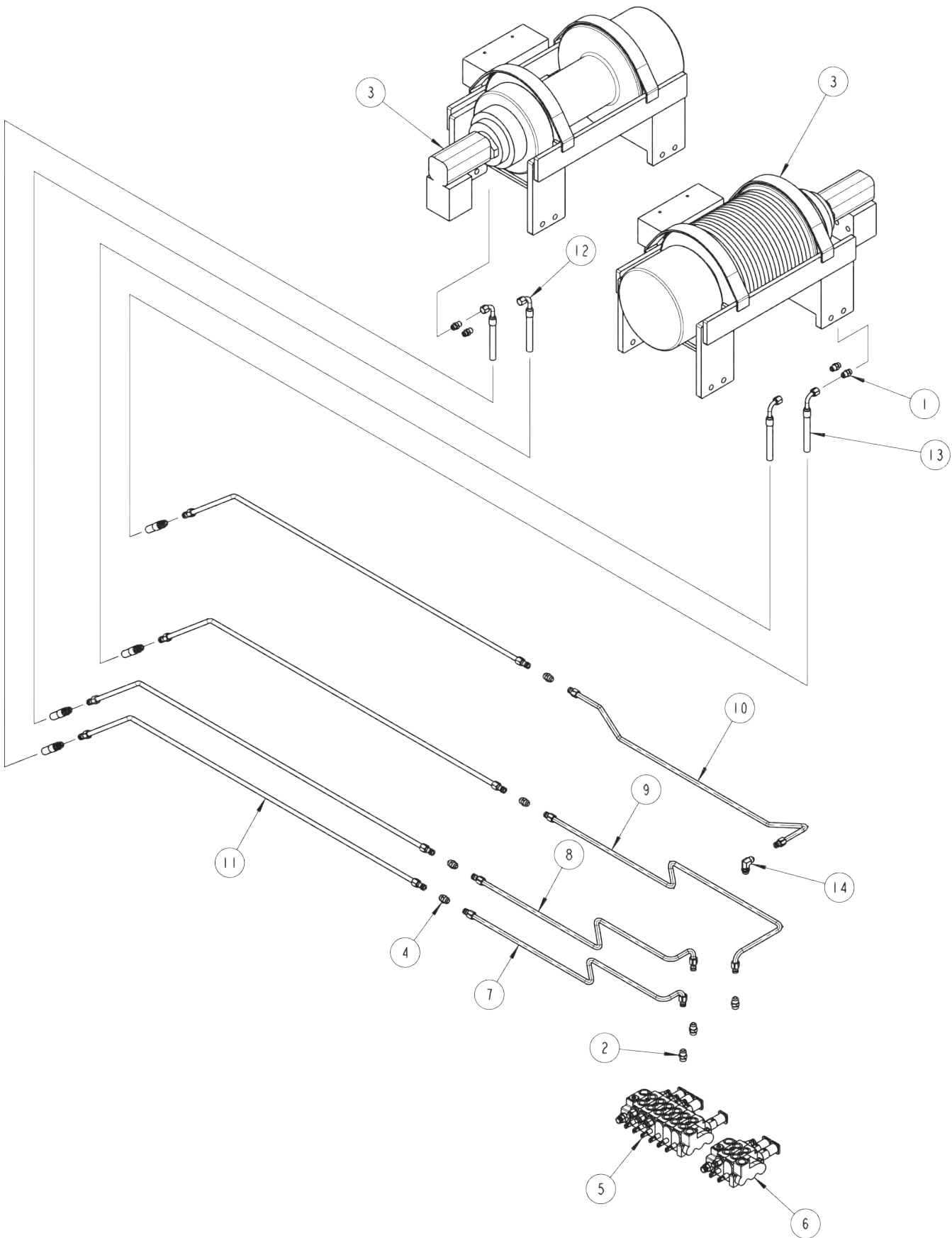


Section I - PARTS (cont'd)**UNDERLIFT TILT HYDRAULICS**

| ITEM | PART NUMBER | DESCRIPTION | QTY |
|------|-------------|------------------------------------|-----|
| 1 | 0300865 | ADAPTER, 8MJ-6MJ | 4 |
| 2 | 0301376 | CONNECTOR 8MJX10MB | 2 |
| 3 | 0301522 | CONNECTOR 6MJ-6MB | 2 |
| 4 | 0301696 | ELBOW, 6MJ-6FJX90 | 2 |
| 5 | 9016021 | VALVE 6 SPOOL | 1 |
| 6 | 9016022 | VALVE 2 SPOOL | 1 |
| 7 | 915740000 | TILT CYLINDER | 1 |
| 8 | 915770008 | 6AT2(6T90S-8MJ) HCL 42 | 2 |
| 9 | 916760001 | HYDRAULIC TUBE ASSY | 2 |
| 10 | 946760006 | HYD TUBE ASSY. STINGER TILT A PORT | 1 |
| 11 | 946760007 | HYD TUBE ASSY. STINGER TILT B PORT | 1 |
| 12 | 946760018 | HYD TUBE ASSY. 1/2" END SECTION | 2 |
| 13 | 946760019 | HYD TUBE ASSY | 2 |
| 14 | 946770003 | HOSE ASSEMBLY, 45" LG | 2 |

Section I - PARTS (cont'd)

WINCH HYDRAULICS



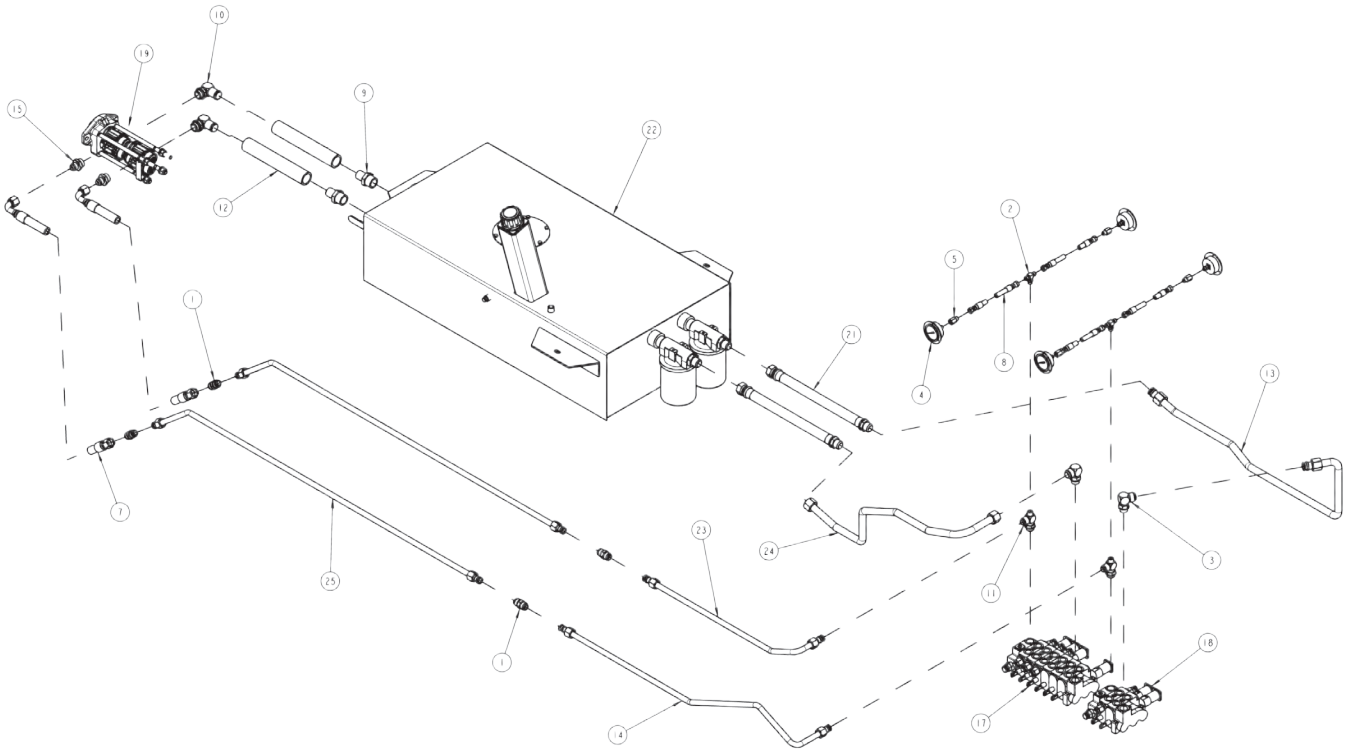
Section I - PARTS (cont'd)

WINCH HYDRAULICS

| ITEM | PART NUMBER | DESCRIPTION | QTY |
|------|-------------|---------------------------------------|-----|
| 1 | 0300041 | CONNECTOR 8MJX8MB | 4 |
| 2 | 0302827 | CONNECTOR 10MJX10MB | 3 |
| 3 | 0303505 | WINCH, DP MODEL S50-50K | 1 |
| 4 | 0307003 | INLINE ORIFICE | 4 |
| 5 | 9016021 | VALVE 6 SPOOL | 1 |
| 6 | 9016022 | VALVE 2 SPOOL | 1 |
| 7 | 946760010 | HYDRAULIC TUBE ASSEMBLY | 1 |
| 8 | 946760011 | HYDRAULIC TUBE ASSEMBLY | 1 |
| 9 | 946760013 | TUBE, HYD 5/8X48 3/8 | 1 |
| 10 | 946760014 | TUBE, HYD 5/8X29 3/4 | 1 |
| 11 | 946760017 | HYDRAULIC TUBE ASSY. 5/8" END SECTION | 4 |
| 12 | 946770007 | HOSE ASSEMBLY, 89" LG | 2 |
| 13 | 946770009 | HOSE ASSEMBLY, 89" LG | 2 |
| 14 | GX263 | FITTING, ELB 10MJ-10MB90 | 1 |

Section I - PARTS (cont'd)

SUBFRAME HYDRAULICS



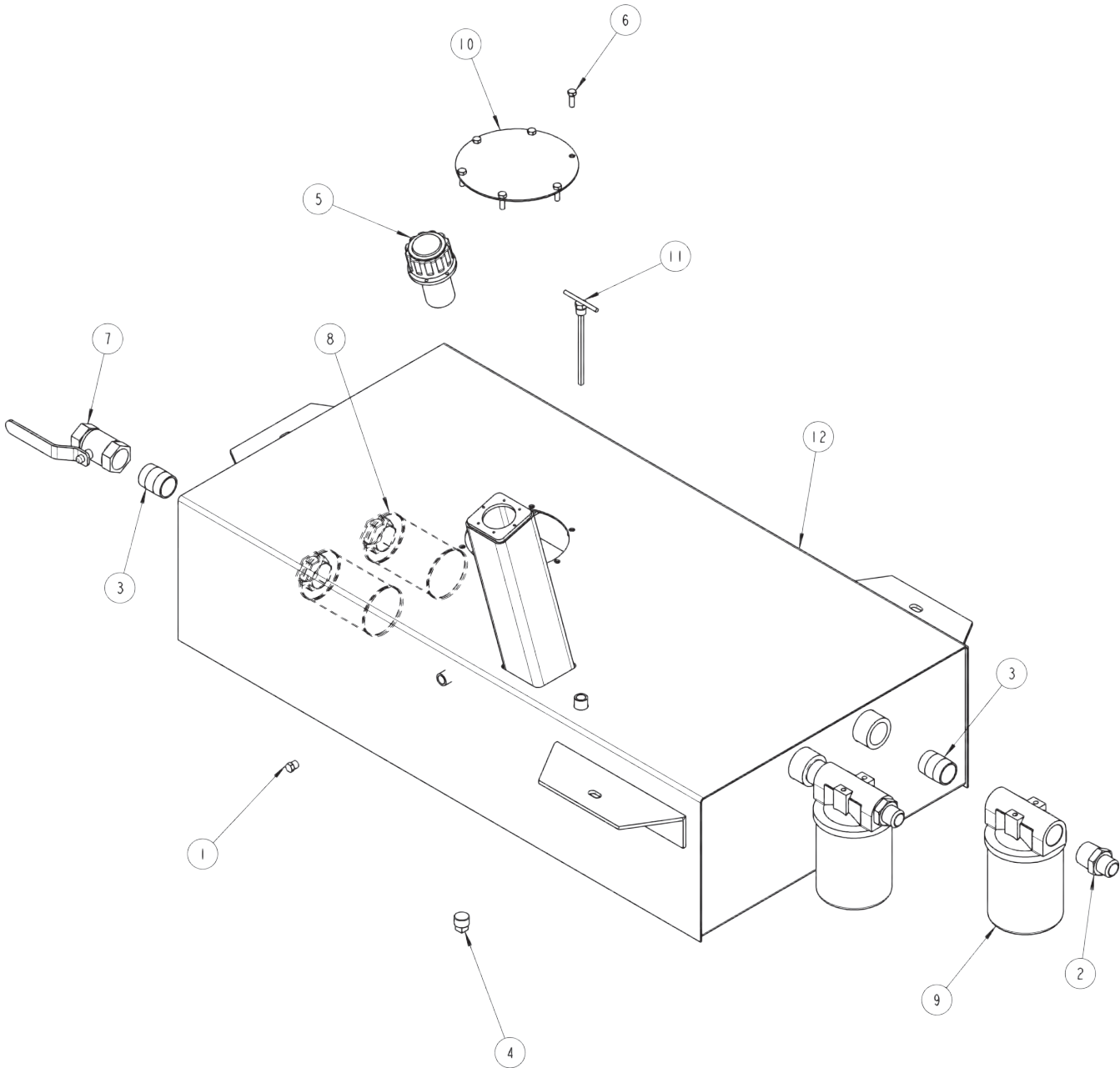
Section I - PARTS (cont'd)

SUBFRAME HYDRAULICS

| ITEM | PART NUMBER | DESCRIPTION | QTY |
|------|-------------|---------------------------------|-----|
| 1 | 0300649 | CONNECTOR, 12MJ-12MJ | 4 |
| 2 | 0301619 | BRANCH TEE, 6MJ-6MJ-6MB | 2 |
| 3 | 0302083 | 16MJ-12MB 90 ELBOW | 2 |
| 4 | 0302205 | GAUGE, FLUSH MOUNT 6000 PSI | 4 |
| 5 | 0302577 | CONNECTOR, 6MJ-4FP | 4 |
| 6 | 0302696 | CONNECTOR, 16MJ-20MP | 2 |
| 7 | 0302901 | HOSE ASSEMBLY, 120" LG | 2 |
| 8 | 0303394 | HOSE ASSEMBLY, 46" LG | 4 |
| 9 | 0306538 | HOSE BARB, 20HOSE-20MP | 2 |
| 10 | 0306539 | HOSE BARB, 20HOSE-16MB90 | 2 |
| 11 | 0306984 | ELBOW, 12MJ-12MB90 | 2 |
| 12 | 0310010 | SUCTION HOSE, 1-1/2" I.D. 100R4 | 2 |
| 13 | 0310837 | HYD TUBE, RETURN REAR VALVE | 1 |
| 14 | 0310839 | HYD TUBE ASSY, PRESSURE | 1 |
| 15 | 9012968 | CONNECTOR 8MJX10MB | 2 |
| 16 | 9015571 | BALL VALVE 1-1/4" | 2 |
| 17 | 9016021 | VALVE 6 SPOOL | 1 |
| 18 | 9016022 | VALVE 2 SPOOL | 1 |
| 19 | 9016815 | MUNCIE PUMP TSPKS17-17-2B | 1 |
| 20 | 9018140 | FILTER ASSEMBLY, SPIN-ON | 2 |
| 21 | 915770017 | HOSE ASSEMBLY | 2 |
| 22 | 915780000 | HYDRAULIC TANK ASSY | 1 |
| 23 | 946760001 | HYD TUBE ASSEMBLY | 1 |
| 24 | 946760012 | HYD TUBE ASSY, RETURN LINE | 1 |
| 25 | 946760016 | HYD TUBE ASSY | 2 |

Section I - PARTS (cont'd)

HYDRAULIC TANK ASSEMBLY

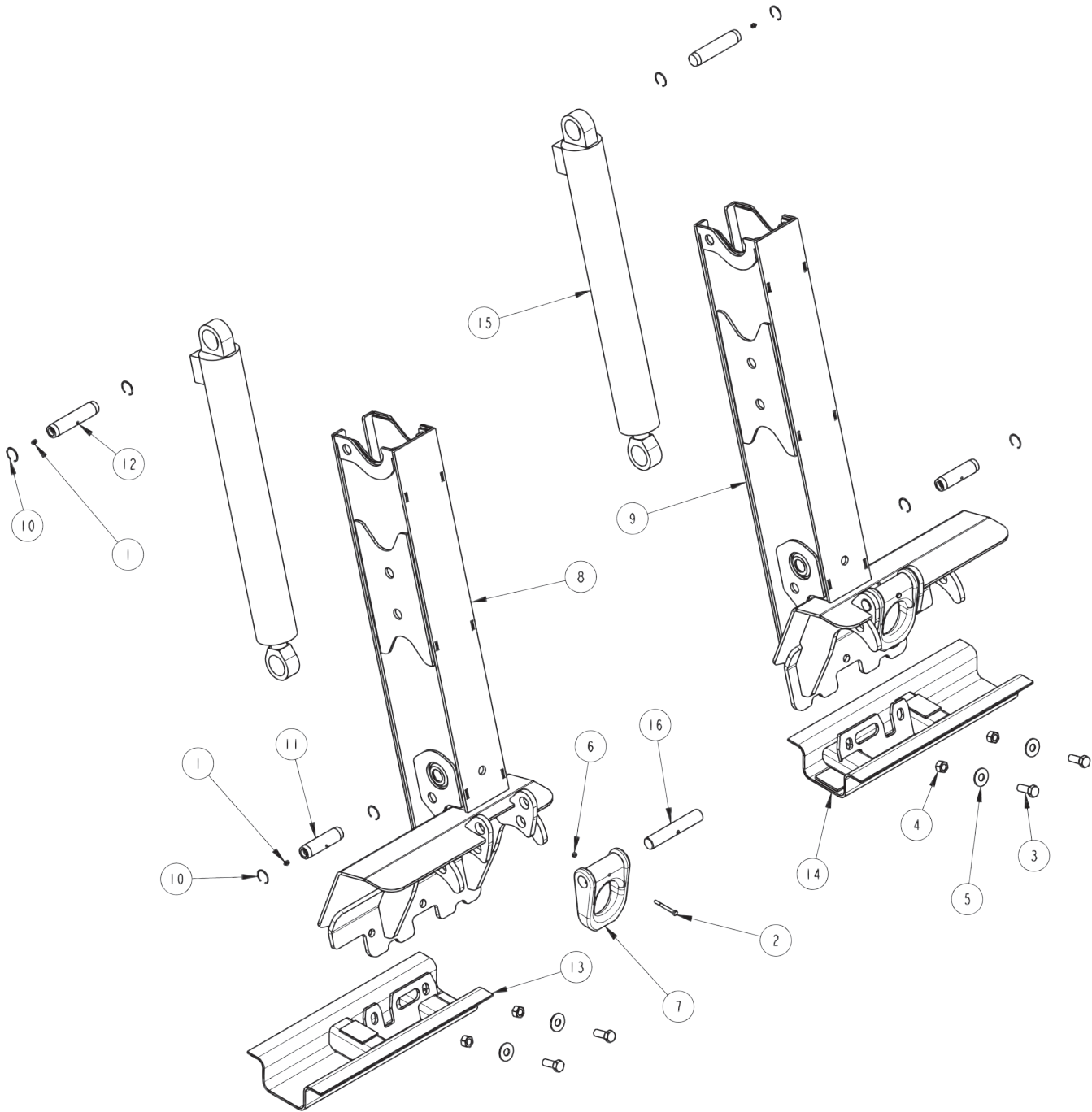


Section I - PARTS (cont'd)

HYDRAULIC TANK ASSEMBLY

| ITEM | PART NUMBER | DESCRIPTION | QTY |
|------|-------------|--------------------------------|-----|
| 1 | 0301618 | FITTING, BRASS PLUG 1/4 | 1 |
| 2 | 0302696 | CONNECTOR, 16MJ-20MP | 2 |
| 3 | 0302699 | PIPE NIPPLE - 1-1/4 X 2 | 4 |
| 4 | 0303155 | PIPE PLUG - 3/4 NPT (MAGNETIC) | 1 |
| 5 | 0305006 | FILLER CAP | 1 |
| 6 | 0400109 | 5/16-18 X 1 HHCS GR5 ZP | 6 |
| 7 | 9015571 | BALL VALVE 1-1/4" | 2 |
| 8 | 9018139 | SUCTION STRAINERS | 2 |
| 9 | 9018140 | FILTER ASSEMBLY, SPIN-ON | 2 |
| 10 | 9401408 | INSPECT COVER | 1 |
| 11 | 9401418 | DIPSTICK WELDMENT | 1 |
| 12 | 915780500 | HYDRAULIC TANK WELDMENT | 1 |

Section I - PARTS (cont'd)
STANDARD JACKLEG ASSEMBLY

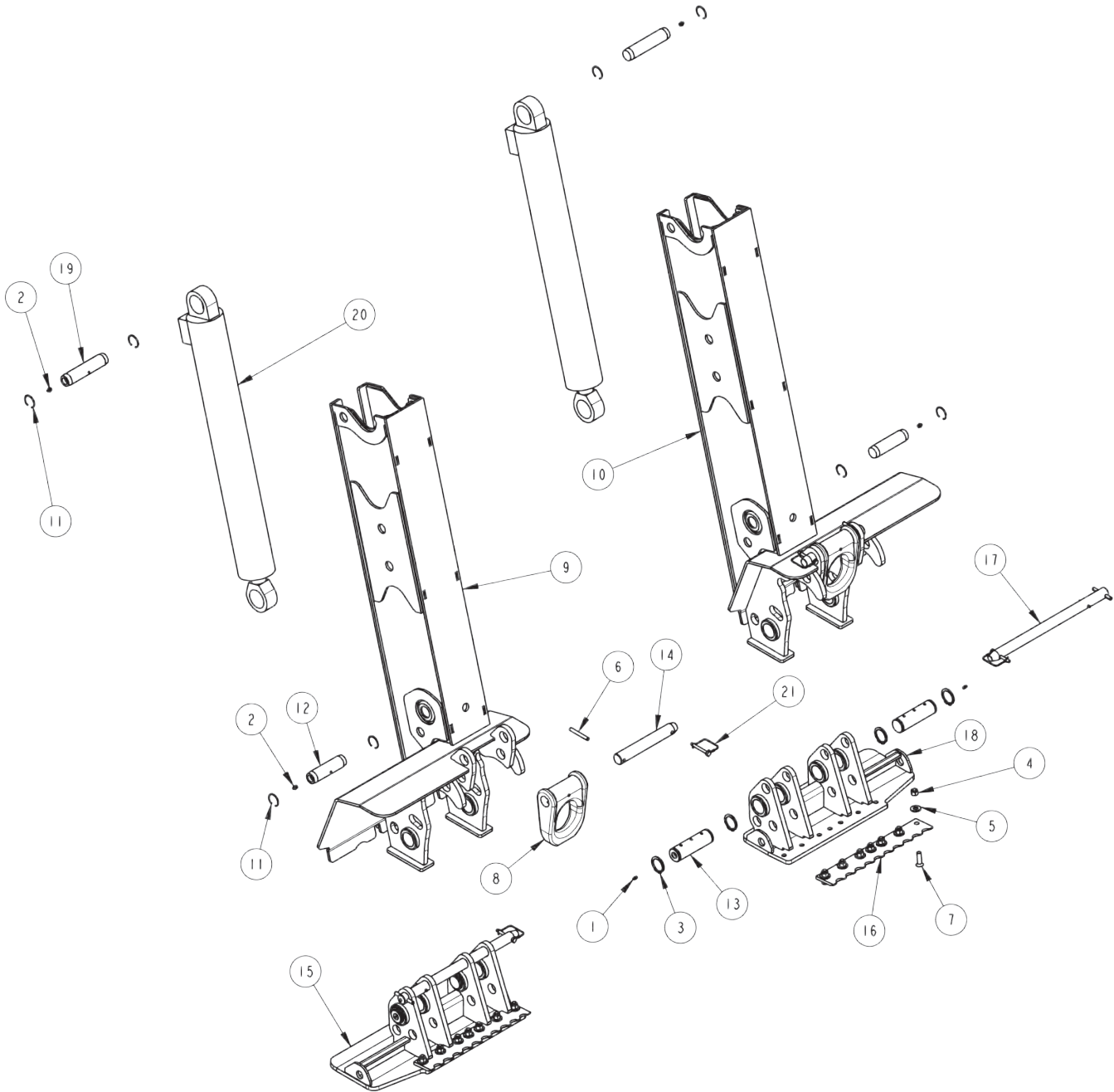


Section I - PARTS (cont'd)

STANDARD JACKLEG ASSEMBLY

| ITEM | PART NUMBER | DESCRIPTION | QTY |
|------|-------------|----------------------------------|-----|
| 1 | 0301895 | GREASE FITTING, 1/8 NPT STRAIGHT | 6 |
| 2 | 0400114 | 5/16-18 X 3 HHCS GR 5 ZP | 2 |
| 3 | 0400283 | 3/4-10 X 2 GR8 HHCS | 4 |
| 4 | 0400438 | 3/4-10 HEX NUT ZP | 4 |
| 5 | 0400490 | 3/4 FLAT WASHER GR.8 | 4 |
| 6 | 0400776 | 5/16-18 HEX NUT JAM NYLOK | 2 |
| 7 | 0719585 | "D" RING - TOWING | 2 |
| 8 | 0807947 | LH JACK LEG WELDMENT - STANDARD | 1 |
| 9 | 0807948 | RH JACK LEG WELDMENT - STANDARD | 1 |
| 10 | 9054150 | SNAP RING, 1-1/4" NOM INTERNAL | 8 |
| 11 | 920900007 | PIN, LOWER STIFFLEG CYLINDER | 2 |
| 12 | 930350001 | PIN, UPPER STIFFLEG | 2 |
| 13 | 945550500 | LH STABILIZER WELDMENT | 1 |
| 14 | 945557500 | RH STABILIZER WELDMENT | 1 |
| 15 | 945720000 | STIFF LEG CYLINDER - 45 | 2 |
| 16 | GA0215 | PIN, D RING | 2 |

Section I - PARTS (cont'd)
JACKLEG ASSEMBLY W/ FLIPPER FEET



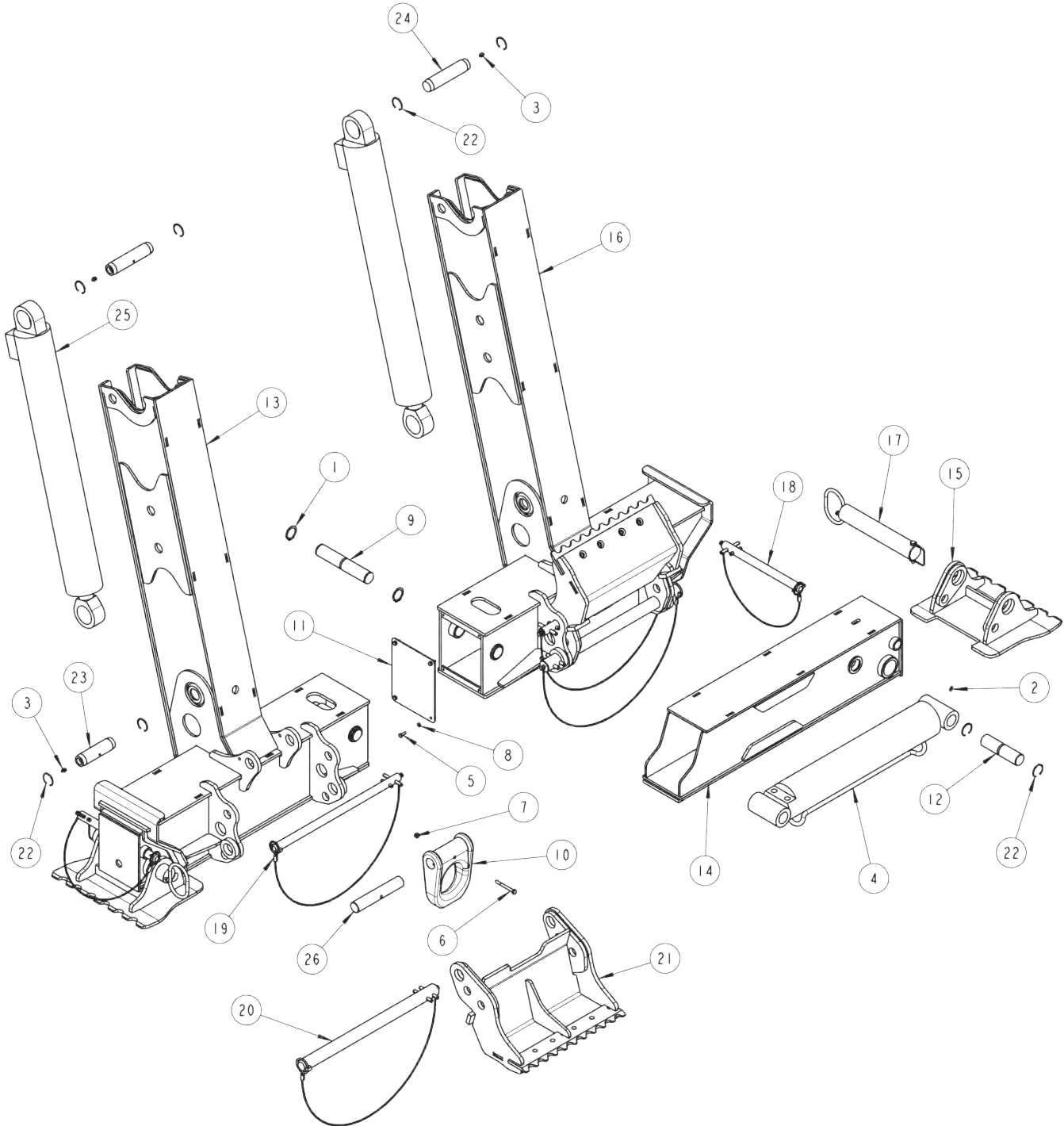
Section I - PARTS (cont'd)

JACKLEG ASSEMBLY W/ FLIPPER FEET

| ITEM | PART NUMBER | DESCRIPTION | QTY |
|------|-------------|---------------------------------------|-----|
| 1 | 0300113 | GREASE FITTING, 1/4-28 STRAIGHT | 4 |
| 2 | 0301895 | GREASE FITTING, 1/8 NPT STRAIGHT | 6 |
| 3 | 0310121 | RETAINING RING, 1-1/2" | 8 |
| 4 | 0400416 | 1/2-13 NYLOCK HEX NUT GR.8, ZP | 14 |
| 5 | 0400497 | 1/2 FLAT WASHER GR 8 ZP | 14 |
| 6 | 0400568 | 3/8 X 3 ROLL PIN ZP | 2 |
| 7 | 0400774 | 1/2-13 X 1 FLAT HEAD SOCKET CAP SCR | 14 |
| 8 | 0719585 | "D" RING - TOWING | 2 |
| 9 | 0807725 | LH JACK LEG WELDMENT | 1 |
| 10 | 0807726 | RH JACK LEG WELDMENT | 1 |
| 11 | 9054150 | SNAP RING, 1-1/4" NOM INTERNAL | 8 |
| 12 | 920900007 | PIN, LOWER STIFFLEG CYLINDER | 2 |
| 13 | 930230101 | PIN - SWIVEL PADS | 4 |
| 14 | 930230103 | PIN - D RING - INNER LEG FLIPPER TYPE | 2 |
| 15 | 930232000 | FLIPPER PAD WELDMENT -INNER LEG (LH) | 1 |
| 16 | 930232005 | BLADE FLIPPER PAD WELDMENT | 2 |
| 17 | 930233000 | PIN ASSEMBLY, LOCK FLIPPER FEET | 2 |
| 18 | 930239000 | FLIPPER PAD WELDMENT -INNER LEG (RH) | 1 |
| 19 | 930350001 | PIN, UPPER STIFFLEG | 2 |
| 20 | 945720000 | STIFF LEG CYLINDER - 45 | 2 |
| 21 | HD1259 | PIN, SAFETY SNAP | 2 |

Section I - PARTS (cont'd)

REAR OUTRIGGER OPTION



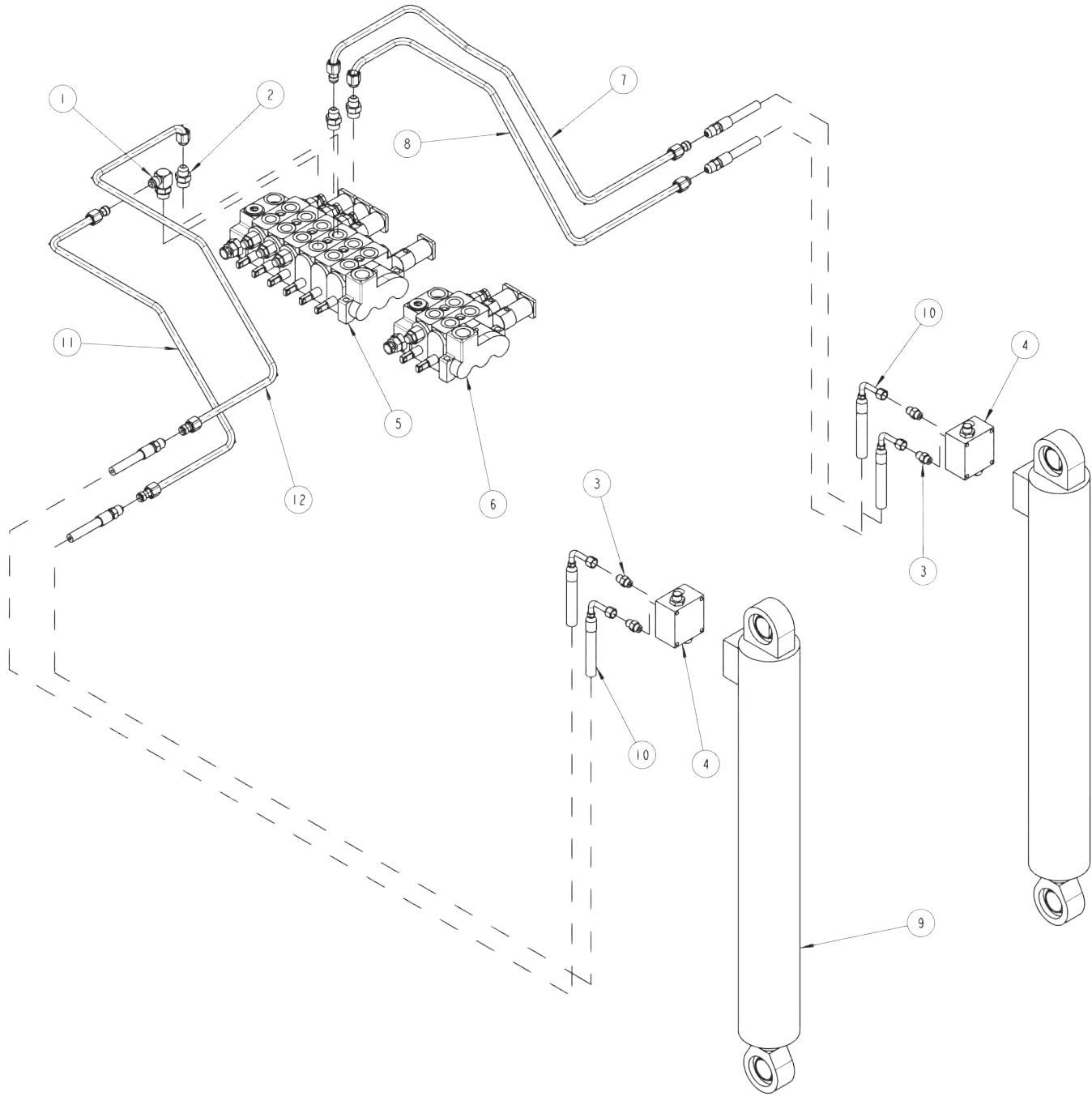
Section I - PARTS (cont'd)

REAR OUTRIGGER OPTION

| ITEM | PART NUMBER | DESCRIPTION | QTY |
|------|-------------|----------------------------------|-----|
| 1 | 0300109 | RETAINING RING, 1-1/2" | 4 |
| 2 | 0300113 | GREASE FITTING, 1/4-28 STRAIGHT | 2 |
| 3 | 0301895 | GREASE FITTING, 1/8 NPT STRAIGHT | 6 |
| 4 | 0310145 | CYLINDER ASSEMBLY | 2 |
| 5 | 0400066 | 1/4-20 X 3/4 HHCS GR.5,ZP | 16 |
| 6 | 0400114 | 5/16-18 X 3 HHCS GR 5 ZP | 2 |
| 7 | 0400382 | 5/16-18 NYLOCK HEX NUT ZP | 2 |
| 8 | 0400452 | 1/4 HELICAL LOCK WASHER ZP | 16 |
| 9 | 0719540 | PIN - EXTEND CYLINDER (BASE END) | 2 |
| 10 | 0719585 | "D" RING - TOWING | 2 |
| 11 | 0724617 | PLATE - OUTRIGGER COVER | 2 |
| 12 | 0724635 | PIN - EXTEND CYLINDER | 2 |
| 13 | 0810030 | LH REAR OUTER OUTRIGGER | 1 |
| 14 | 0810033 | REAR INNER OUTRIGGER WELD'T | 2 |
| 15 | 0810035 | REAR OUTRIGGER PAD WELDMT | 2 |
| 16 | 0810047 | RH REAR OUTER OUTRIGGER | 1 |
| 17 | 0906963 | PIN REAR OUTRIGGER PAD ASSY | 2 |
| 18 | 0911122 | RETAINER PIN ASSEMBLY | 2 |
| 19 | 0911123 | RETAINER PIN ASSEMBLY | 2 |
| 20 | 0911124 | RETAINER PIN ASSEMBLY | 2 |
| 21 | 0911167 | SPADE WELDMENT - REAR OUTRIGGER | 2 |
| 22 | 9054150 | SNAP RING, 1-1/4" NOM INTERNAL | 12 |
| 23 | 920900007 | PIN, LOWER STIFFLEG CYLINDER | 2 |
| 24 | 930350001 | PIN, UPPER STIFFLEG | 2 |
| 25 | 945720000 | STIFF LEG CYLINDER - 45 | 2 |
| 26 | GA0215 | PIN, D RING | 2 |

Section I - PARTS (cont'd)

JACKLEG HYDRAULICS



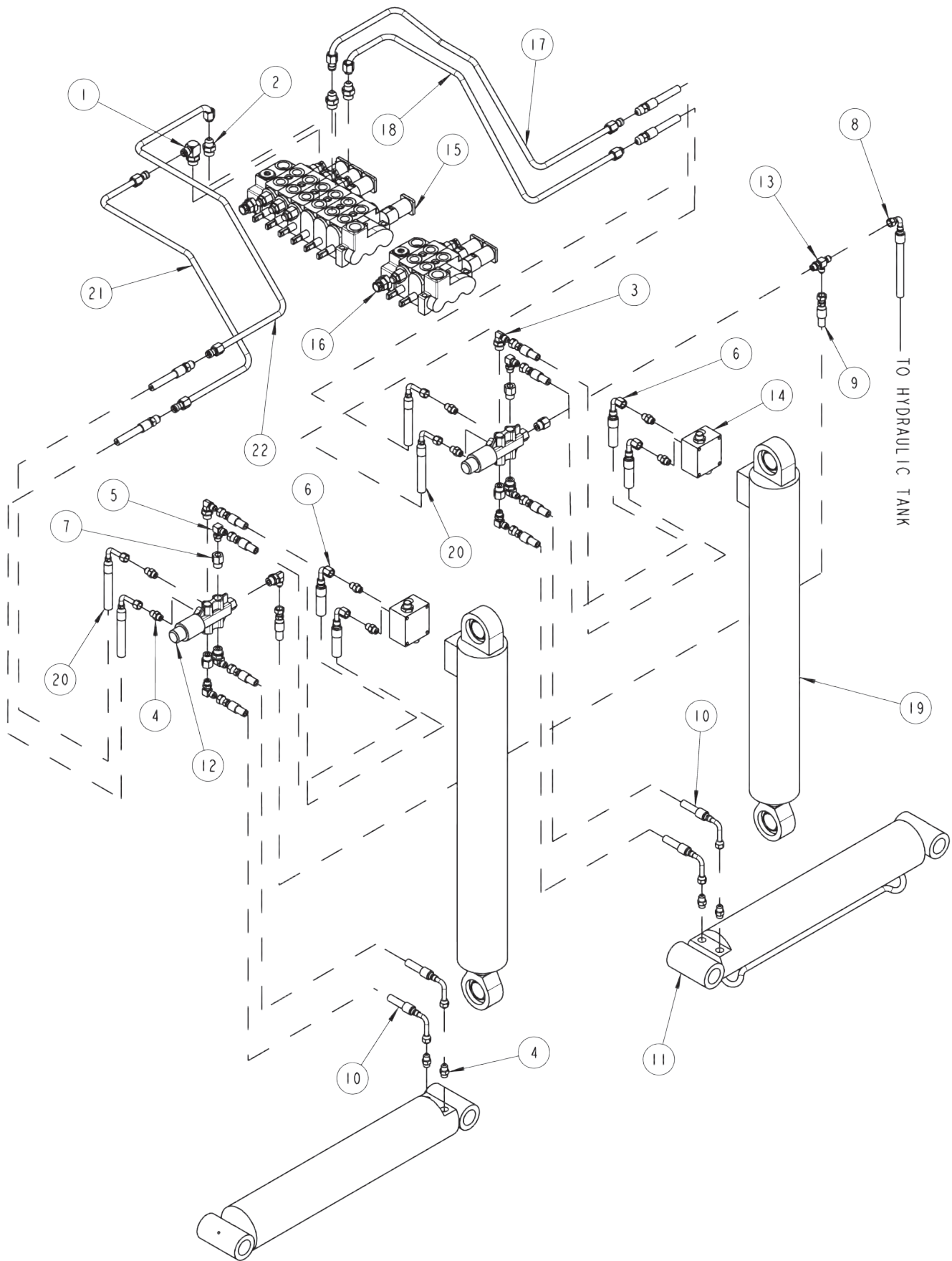
Section I - PARTS (cont'd)

JACKLEG HYDRAULICS

| ITEM | PART NUMBER | DESCRIPTION | QTY |
|------|-------------|-----------------------------------|-----|
| 1 | 0300052 | ELBOW, 8MJ-10MB90 | 1 |
| 2 | 0301376 | CONNECTOR 8MJX10MB | 3 |
| 3 | 0301522 | CONNECTOR 6MJ-6MB | 4 |
| 4 | 9015738 | HOLDING VALVE | 2 |
| 5 | 9016021 | VALVE 6 SPOOL | 1 |
| 6 | 9016022 | VALVE 2 SPOOL | 1 |
| 7 | 930760010 | HYDRAULIC TUBE ASSEMBLY | 1 |
| 8 | 930760011 | HYDRAULIC TUBE ASSEMBLY | 1 |
| 9 | 945720000 | STIFF LEG CYLINDER | 2 |
| 10 | 945770003 | HOSE ASSEMBLY - STIFFLEG CYLINDER | 4 |
| 11 | 946760008 | HYDRAULIC TUBE ASSEMBLY | 1 |
| 12 | 946760009 | HYDRAULIC TUBE ASSEMBLY | 1 |

Section I - PARTS (cont'd)

OUTRIGGER HYDRAULICS



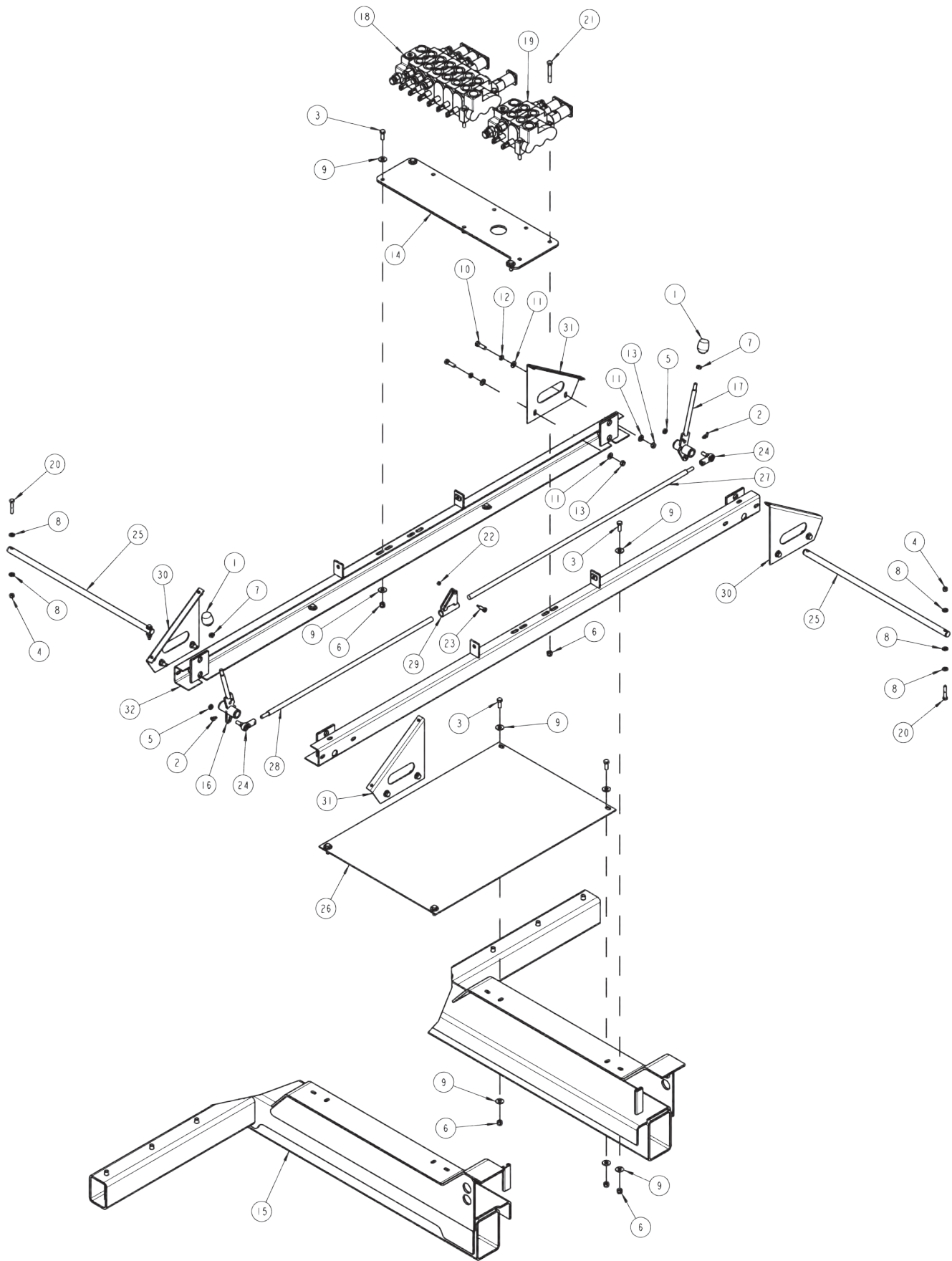
Section I - PARTS (cont'd)

OUTRIGGER HYDRAULICS

| ITEM | PART NUMBER | DESCRIPTION | QTY |
|------|-------------|-------------------------------------|-----|
| 1 | 0300052 | ELBOW, 8MJ-10MB90 | 1 |
| 2 | 0301376 | CONNECTOR 8MJX10MB | 3 |
| 3 | 0301470 | FITTING - HYDRAULIC ELBOW 6MJ-8MB90 | 5 |
| 4 | 0301522 | CONNECTOR 6MJ-6MB | 12 |
| 5 | 0301620 | FITTING, ELBOW, 6MJ-6MB90 | 4 |
| 6 | 0301998 | HOSE HYD, 24" LG | 4 |
| 7 | 0303017 | CONNECTOR 8MBX6FB | 5 |
| 8 | 0303170 | HOSE ASSY - 75" LG. | 1 |
| 9 | 0303185 | HOSE ASSY - 66" LG. | 1 |
| 10 | 0307525 | HOSE ASSY - 120" LG | 4 |
| 11 | 0310145 | CYLINDER ASSEMBLY | 2 |
| 12 | 0310881 | 6 WAY DIVERTER VALVE | 2 |
| 13 | 9012594 | FITTING, HYD RUN TEE, 6MJ-6MB-6MJ | 1 |
| 14 | 9015738 | HOLDING VALVE | 2 |
| 15 | 9016021 | VALVE 6 SPOOL | 1 |
| 16 | 9016022 | VALVE 2 SPOOL | 1 |
| 17 | 930760010 | HYDRAULIC TUBE ASSEMBLY | 1 |
| 18 | 930760011 | HYDRAULIC TUBE ASSEMBLY | 1 |
| 19 | 945720000 | STIFF LEG CYLINDER | 2 |
| 20 | 945770003 | HOSE ASSEMBLY - STIFFLEG CYLINDER | 4 |
| 21 | 946760008 | HYDRAULIC TUBE ASSEMBLY | 1 |
| 22 | 946760009 | HYDRAULIC TUBE ASSEMBLY | 1 |

Section I - PARTS (cont'd)

DUAL CONTROL ASSEMBLY



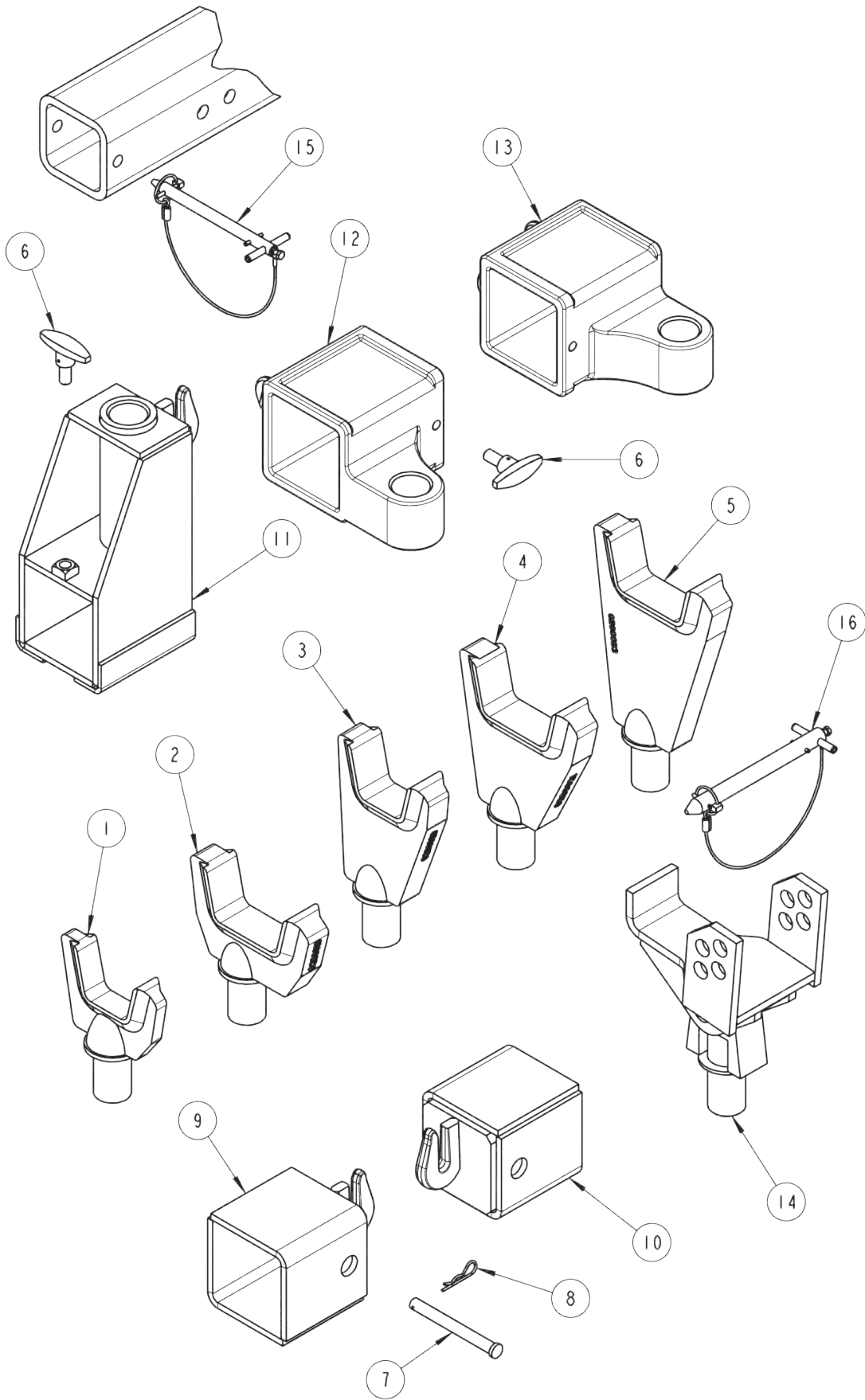
Section I - PARTS (cont'd)

DUAL CONTROL ASSEMBLY

| ITEM | PART NUMBER | DESCRIPTION | QTY |
|------|-------------|-------------------------------|-----|
| 1 | 0300341 | KNOB, BLACK (BLANK) | 16 |
| 2 | 0302726 | GREASE FITTING, 1/4"-28 X 45° | 16 |
| 3 | 0400126 | 3/8-16 X 1 HHCS GR.5,ZP | 11 |
| 4 | 0400382 | 5/16-18 NYLOCK HEX NUT ZP | 4 |
| 5 | 0400387 | 3/8-24 HEX JAM NUT ZP | 16 |
| 6 | 0400392 | 3/8-16 NYLOCK HEX NUT ZP | 17 |
| 7 | 0400393 | 3/8"-16 HEX JAM NUT | 16 |
| 8 | 0400463 | 5/16 FLAT WASHER ZP | 12 |
| 9 | 0400480 | 3/8 FLAT WASHER ZP | 22 |
| 10 | 0402043 | 3/8-16 X 1-1/4 HHCS SS | 8 |
| 11 | 0402120 | 3/8 FLATWASHER 316 SS | 16 |
| 12 | 0402121 | 3/8 LOCKWASHER 316 STAINLESS | 8 |
| 13 | 0402122 | HEX NUT 316 STAINLESS | 8 |
| 14 | 0723377 | D.C.V. MTG. PLATE | 1 |
| 15 | 0810080 | NV-50 SUBFRAME | 1 |
| 16 | 0907441 | CONTROL HANDLE ASSY | 8 |
| 17 | 0907442 | CONTROL HANDLE ASSY | 8 |
| 18 | 9016021 | VALVE 6 SPOOL | 1 |
| 19 | 9016022 | VALVE 2 SPOOL | 1 |
| 20 | 9041108 | 5/16-18 X 1-3/4 HHCS GR 8 ZP | 4 |
| 21 | 9041212 | 3/8-16 X 2-3/4 LG. HHCS GR.8 | 6 |
| 22 | 9043371 | 3/8-16 NYLOCK HEX NUT ZP | 8 |
| 23 | 9043713 | M8 X 20 SOCKET SHOULDER BOLT | 8 |
| 24 | 9048513 | SPHERICAL ROD END | 16 |
| 25 | 930400001 | PIVOT PIN | 2 |
| 26 | 930400009 | PLATE- BOTTOM | 1 |
| 27 | 930400012 | RH CONTROL ROD (SHORT) | 8 |
| 28 | 930400013 | LH CONTROL ROD (SHORT) | 8 |
| 29 | 930402600 | SHORT LUG WELDMENT | 8 |
| 30 | 942480300 | LH MTG ANGLE WELDMENT | 2 |
| 31 | 942487300 | RH MTG ANGLE WELDMENT | 2 |
| 32 | 946400600 | CHANNEL WELDMENT | 2 |

Section I - PARTS (cont'd)

LIFT ADAPTERS



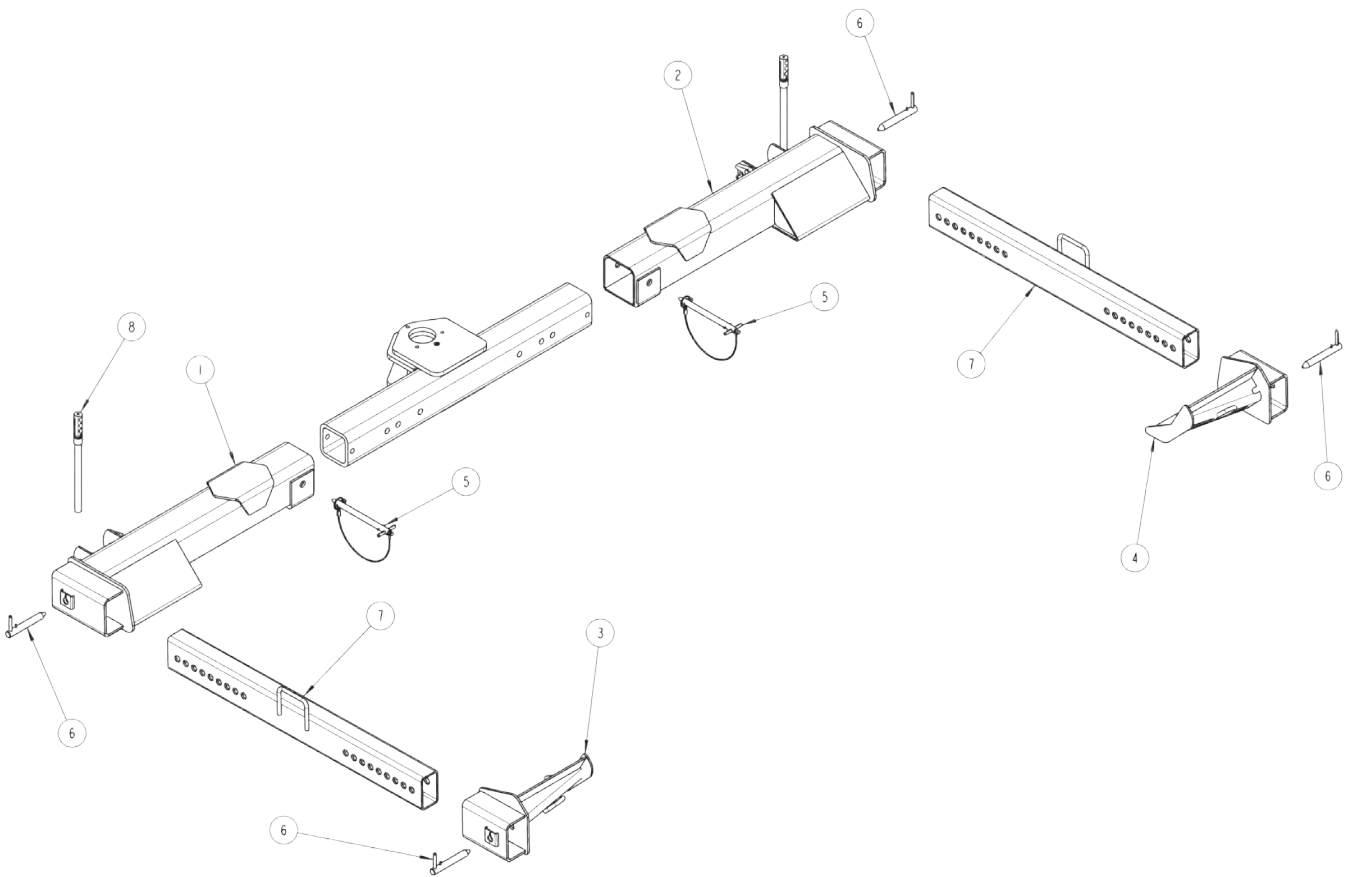
Section I - PARTS (cont'd)

LIFT ADAPTERS

| ITEM | PART NUMBER | DESCRIPTION | QTY |
|------|-------------|---------------------------------------|-----|
| 1 | 0200018 | FORK, SHORT (3" OPENING) | 2 |
| 2 | 0200019 | FORK, SHORT (3" OPENING) | 2 |
| 3 | 0200020 | FORK, MEDIUM (3" OPENING) | 2 |
| 4 | 0200021 | FORK, MEDIUM (3" OPENING) | 2 |
| 5 | 0200023 | FORK, LONG (3" OPENING) | 2 |
| 6 | 0306564 | T HANDLE | 4 |
| 7 | 0310230 | CLEVIS PIN, 5/8 X 6 ZP | 2 |
| 8 | 0400886 | COTTER PIN, 1-1/4" HAIR PIN | 2 |
| 9 | 0801186 | CHAIN ADAPTER, RIGHT | 1 |
| 10 | 0801187 | CHAIN ADAPTER, LEFT | 1 |
| 11 | 0801459 | RISER BRACKET, HDU | 2 |
| 12 | 0803591 | LH OFFSET FORK RECIEVER | 1 |
| 13 | 0803592 | RH OFFSET FORK RECIEVER | 1 |
| 14 | 0807023 | PIVOT SPRING LIFT BRACKET, EXTRA WIDE | 2 |
| 15 | 0900900 | RETAINING PIN ASSEMBLY | 2 |
| 16 | 0908672 | RETAINING PIN, SPRING LIFT | 2 |

Section I - PARTS (cont'd)

5X5 BUS LIFT ASSEMBLY

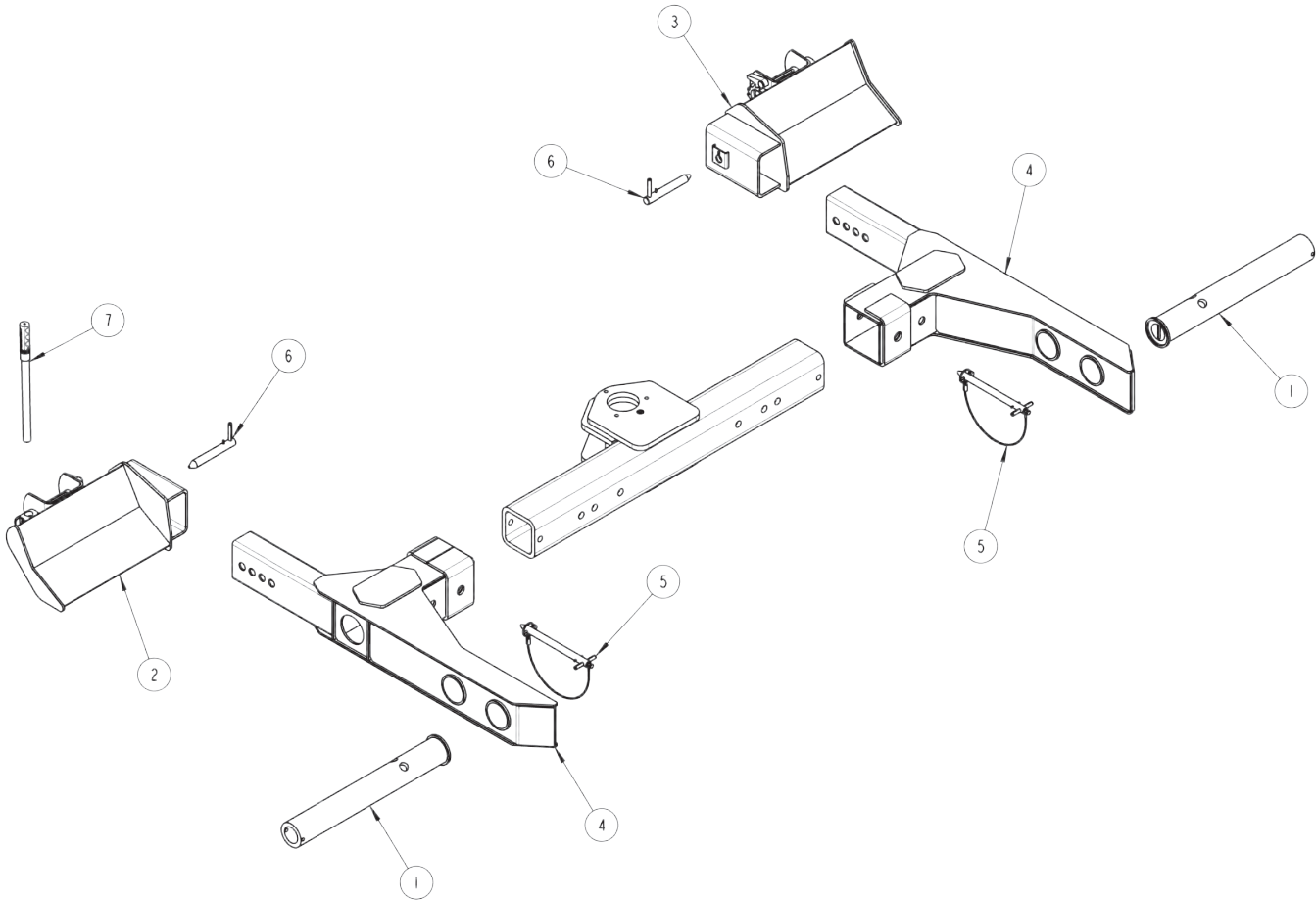


Section I - PARTS (cont'd)

5X5 BUS LIFT ASSEMBLY

| ITEM | PART NUMBER | DESCRIPTION | QTY |
|------|-------------|--------------------------------|-----|
| 1 | 0804491 | OUTER CROSSTUBE-WELDMENT-LH 5" | 1 |
| 2 | 0804492 | OUTER CROSSTUBE-WELDMENT-RH 5" | 1 |
| 3 | 0804495 | SUPPORT - TIRE WELDMENT-LH | 1 |
| 4 | 0804496 | SUPPORT - TIRE WELDMENT-RH | 1 |
| 5 | 0902947 | PIN- RETAINER ASSY | 2 |
| 6 | 0903089 | PIN-RETAINER ASSY | 4 |
| 7 | 0903480 | TUBE - ADJUSTMENT & DECAL | 2 |
| 8 | 945520100 | RATCHET HANDLE ASSY - BUS LIFT | 1 |
| 9 | 945525000 | BUS LIFT WHEEL STRAP ASSY (NS) | 1 |

Section I - PARTS (cont'd)
EURO BUS LIFT ASSEMBLY



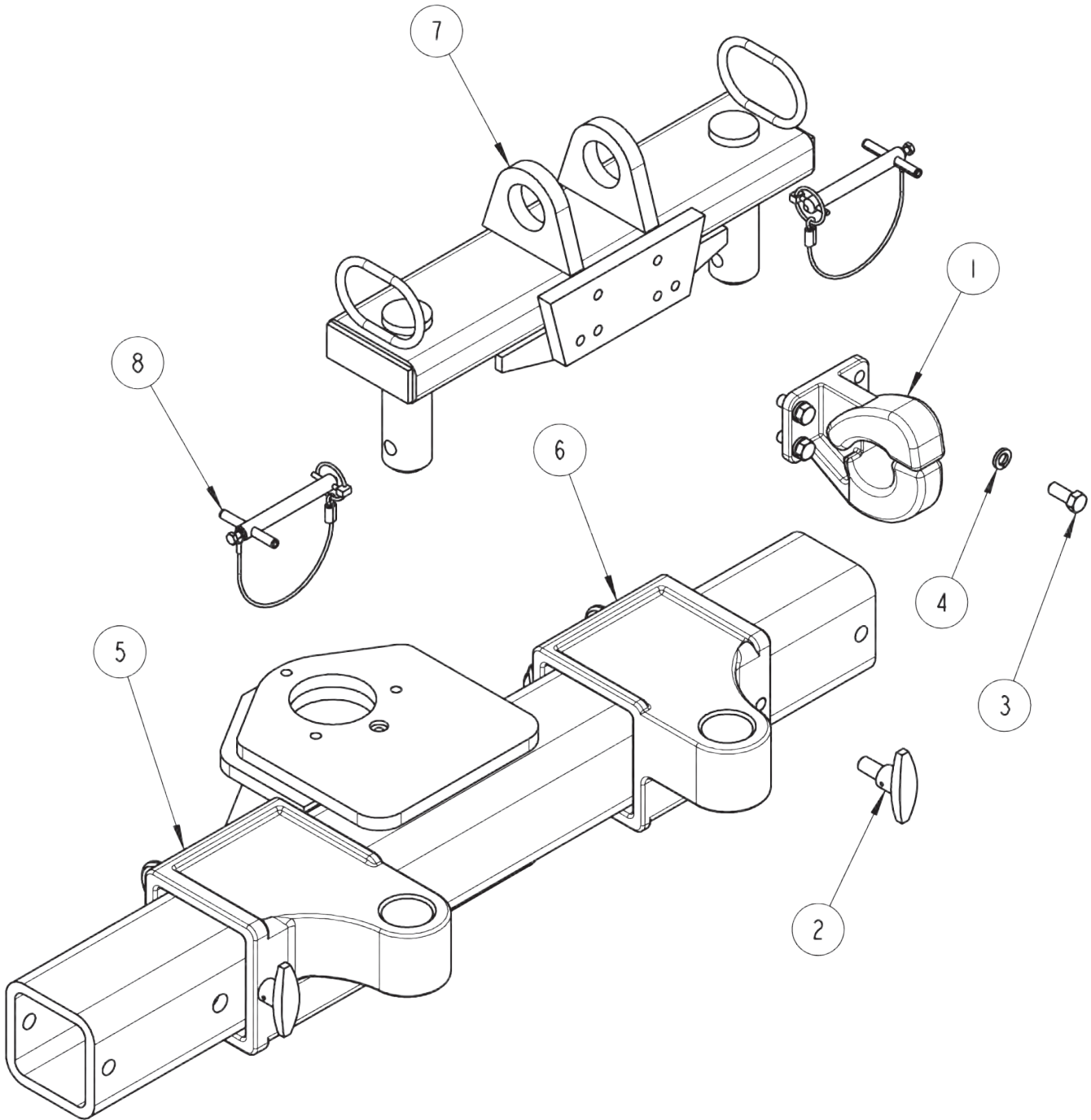
Section I - PARTS (cont'd)

EURO BUS LIFT ASSEMBLY

| ITEM | PART NUMBER | DESCRIPTION | QTY |
|------|-------------|--------------------------------|-----|
| 1 | 0804499 | TIRE SUPPORT TUBE WELDMENT | 2 |
| 2 | 0804501 | SUPPORT - TIRE WELDMENT-LH | 1 |
| 3 | 0804502 | TIRE SUPPORT PLATE ASSY (RH) | 1 |
| 4 | 0805974 | ARM WELDMENT | 2 |
| 5 | 0902947 | PIN- RETAINER ASSY | 2 |
| 6 | 0903089 | PIN-RETAINER ASSY | 2 |
| 7 | 945520100 | RATCHET HANDLE ASSY - BUS LIFT | 1 |
| 9 | 945525000 | BUS LIFT WHEEL STRAP ASSY (NS) | 1 |

Section I - PARTS (cont'd)

PINTLE HOOK ADAPTER



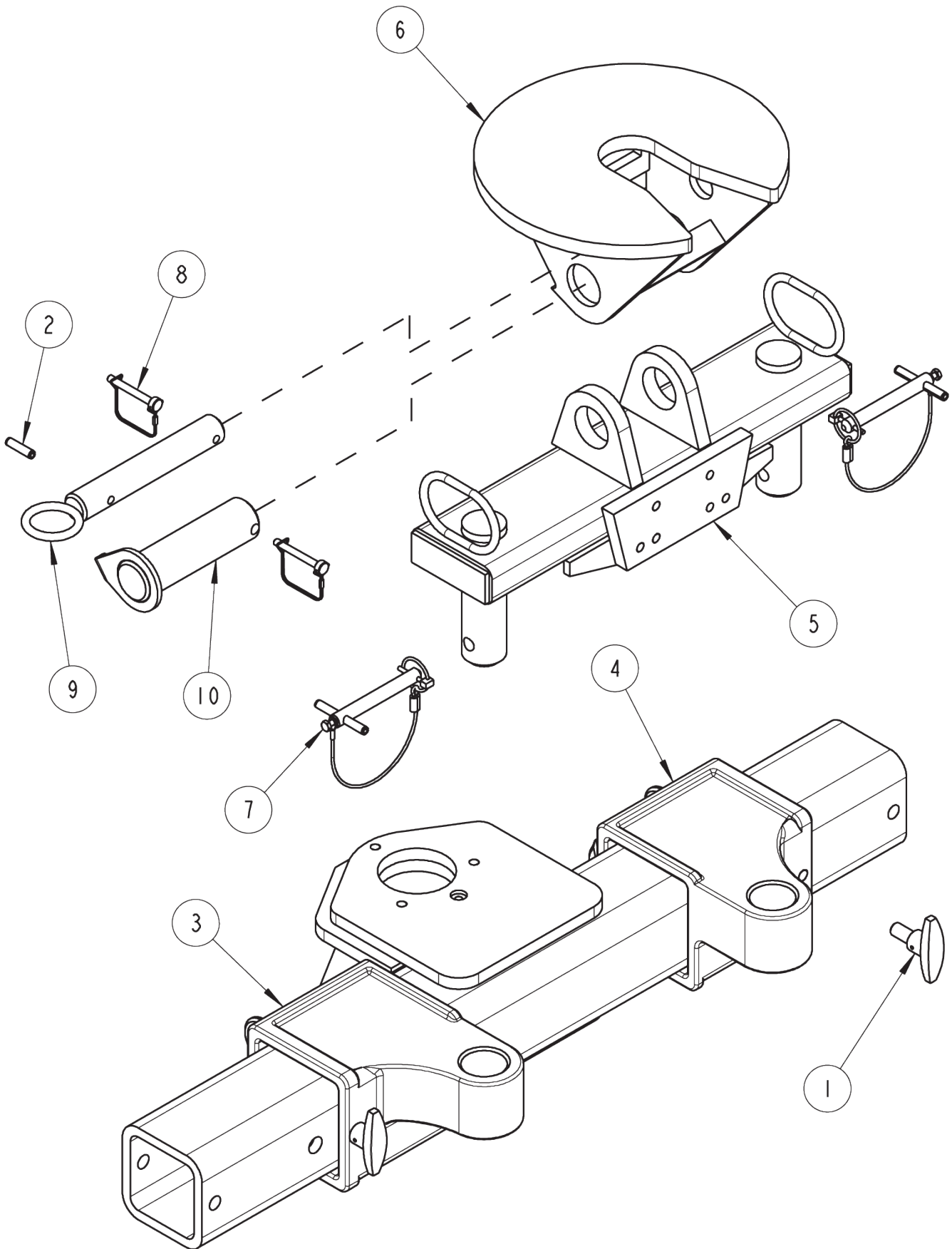
Section I - PARTS (cont'd)

PINTLE HOOK ADAPTER

| ITEM | PART NUMBER | DESCRIPTION | QTY |
|------|-------------|------------------------------|-----|
| 1 | 0302198 | PINTLE HOOK | 1 |
| 2 | 0306564 | T HANDLE | 2 |
| 3 | 0400177 | 1/2-13 X 1 1/4 HHCS GR 5, ZP | 4 |
| 4 | 0400491 | 1/2 HELICAL LOCK WASHER ZP | 4 |
| 5 | 0803591 | LH OFFSET FORK RECIEVER | 1 |
| 6 | 0803592 | RH OFFSET FORK RECIEVER | 1 |
| 7 | 0803831 | 5TH WHEEL & KING PIN ADAPTER | 1 |
| 8 | 0902378 | RETAINER PIN ASSEMBLY, 3224 | 2 |

Section I - PARTS (cont'd)

5TH WHEEL ADAPTER



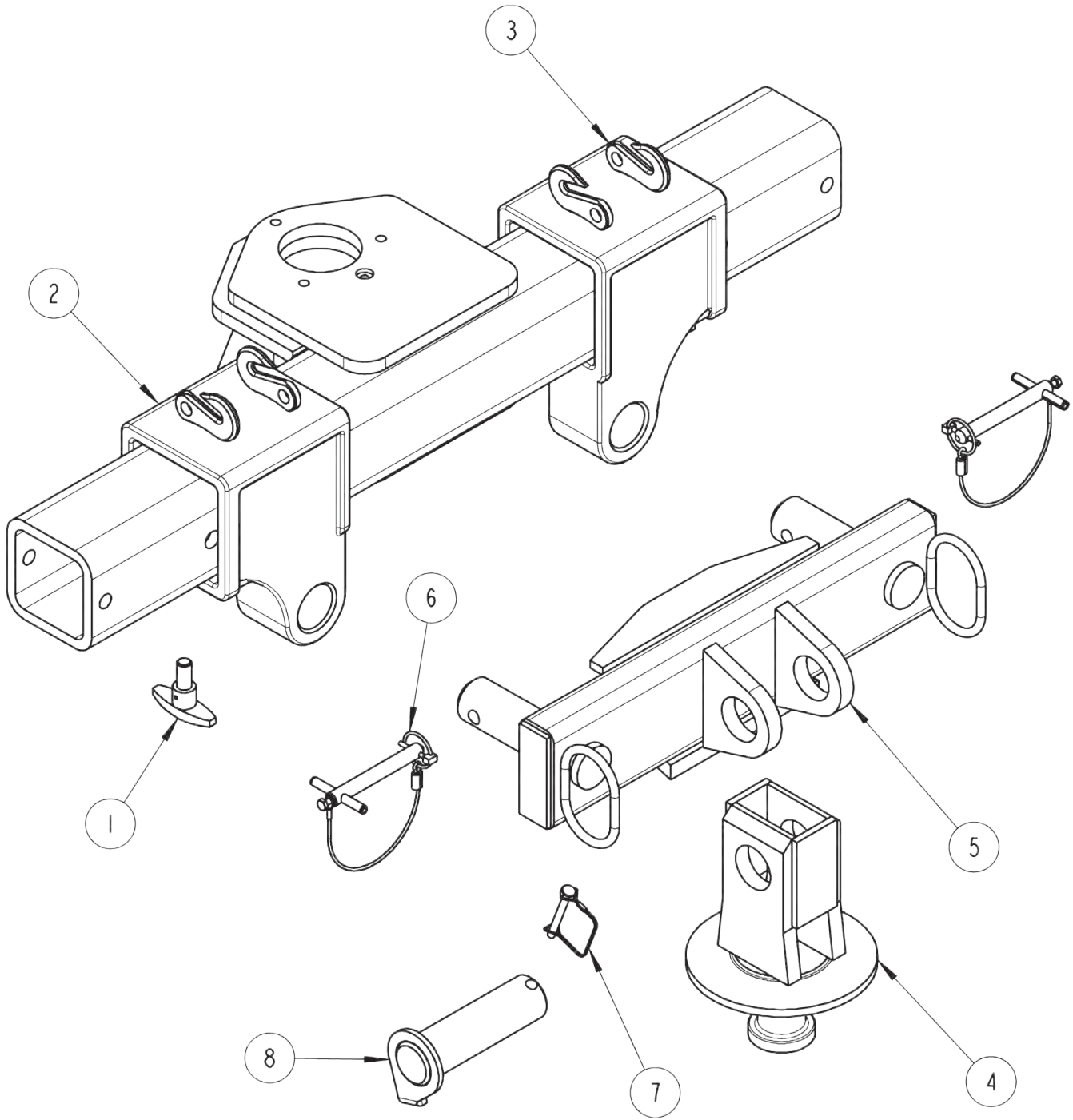
Section I - PARTS (cont'd)

5TH WHEEL ADAPTER

| ITEM | PART NUMBER | DESCRIPTION | QTY |
|------|-------------|--------------------------------|-----|
| 1 | 0306564 | T HANDLE | 2 |
| 2 | 0400555 | 3/8 X 1-1/2 ROLL PIN ZP | 1 |
| 3 | 0803591 | LH OFFSET FORK RECIEVER | 1 |
| 4 | 0803592 | RH OFFSET FORK RECIEVER | 1 |
| 5 | 0803831 | 5TH WHEEL & KING PIN ADAPTER | 1 |
| 6 | 0804053 | 5TH WHEEL PIVOT PLATE WELDMENT | 1 |
| 7 | 0902378 | RETAINER PIN ASSEMBLY, 3224 | 2 |
| 8 | HD1259 | PIN, SAFETY SNAP | 2 |
| 9 | VA0661 | PULL PIN WELDMENT | 1 |
| 10 | VA0662 | PIVOT PIN WELDMENT | 1 |

Section I - PARTS (cont'd)

KING PIN ADAPTER



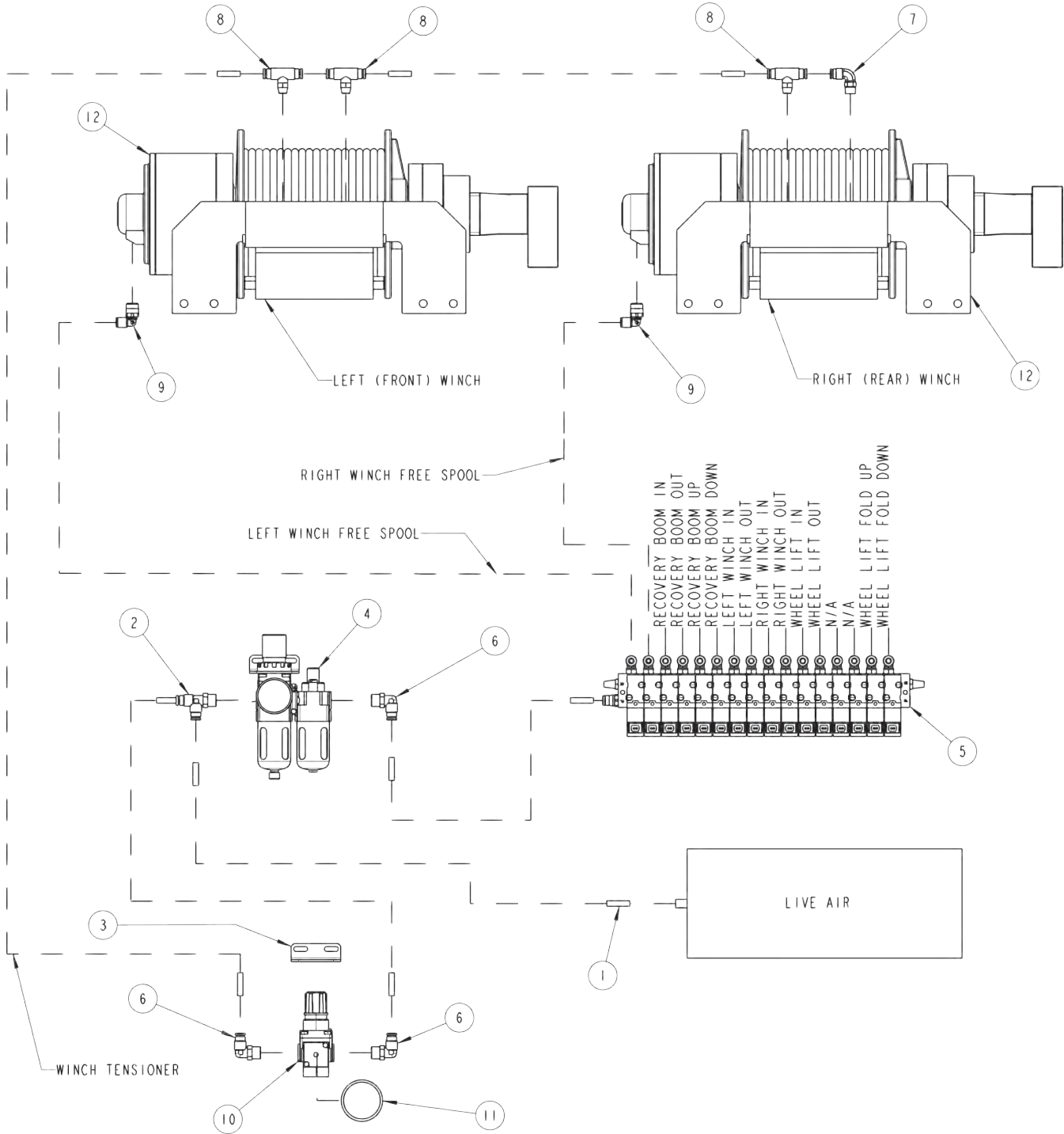
Section I - PARTS (cont'd)

KING PIN ADAPTER

| ITEM | PART NUMBER | DESCRIPTION | QTY |
|------|-------------|------------------------------|-----|
| 1 | 0306564 | T HANDLE | 2 |
| 2 | 0803591 | LH OFFSET FORK RECIEVER | 1 |
| 3 | 0803592 | RH OFFSET FORK RECIEVER | 1 |
| 4 | 0803605 | ADAPTER - KINGPIN WELDMENT | 1 |
| 5 | 0803831 | 5TH WHEEL & KING PIN ADAPTER | 1 |
| 6 | 0902378 | RETAINER PIN ASSEMBLY, 3224 | 2 |
| 7 | HD1259 | PIN, SAFETY SNAP | 1 |
| 8 | VA0662 | PIVOT PIN WELDMENT | 1 |

Section I - PARTS (cont'd)

AIR SYSTEM



Section I - PARTS (cont'd)

AIR SYSTEM

| ITEM | PART NUMBER | DESCRIPTION | QTY |
|------|-------------|--------------------------------------|--------|
| 1 | 0301577 | TUBING- PLASTIC 1/4 OD X 5" AIR LINE | 220 FT |
| 2 | 0306983 | MALE RUN TEE, 1/4T-1/4NPT MALE | 1 |
| 3 | 0311365 | BRACKET | 2 |
| 4 | 0909085 | KIT, AIR FLR/REG/LUBE COMBO 1/4 | 1 |
| 5 | 0910536 | MNFLD PKG 16 VALVE 24VDC | 1 |
| 6 | 9010520 | ELBOW, 1/4T-1/4NPT MALE | 3 |
| 7 | 9012537 | ELBOW, 1/4 NPT X 3/8 TUBE 90 | 1 |
| 8 | 9012575 | TEE FITTING AIR 1/4T-1/4T-1/8 MPX | 3 |
| 9 | 9012623 | ELBOW, 1/4 TUBE X 1/4 NPT 90 | 2 |
| 10 | HA0131 | AIR FILTER / REGULATOR COMBO | 1 |
| 11 | HA0132 | GAUGE- AIR FILTER/REGULATOR | 2 |
| 12 | 0303505 | WINCH DP 2-SPD S50-50K | 2 |

Section II - PARTS LIST

V-100 2-STAGE W/STD STINGER

| ITEM | PART NUMBER | DESCRIPTION | QTY |
|------|-------------|--------------------------------|-----|
| -- | 125100200 | V-100 2-STG, STD STINGER | |
| 1 | 0910998 | BUA, V-100, STD STINGER | 1 |
| 2 | 0911031 | SHIP KIT, V-100 | 1 |
| -- | 0910998 | BUA, V-100, STD STINGER | |
| 3 | 0910786 | STINGER ASSY - STD - 114" | 1 |
| 4 | 0911008 | SUBFRAME ASSY V-100 | 1 |
| 5 | 0911011 | RECOVERY BOOM INSTALL V100 2-S | 1 |
| -- | 0910786 | STINGER ASSY - STD - 114" | |
| 6 | 0300113 | GREASE FITTING,1/4-28 STRAIGHT | 4 |
| 7 | 0301895 | GREASE FITTING,STR 1/8 PTF | 4 |
| 8 | 0303193 | BLACK SKUFF JACKET SJ16 | 19 |
| 9 | 0400134 | 3/8-24X3/4 FLTHDSKTSCR | 3 |
| 10 | 0400176 | 1/2-13X1 HHCS GR5 ZP | 1 |
| 11 | 0400177 | 1/2-13X1.25 HHCS GR5 ZP | 1 |
| 12 | 0400248 | 5/8-11X1HHCS GR 8 ZP | 1 |
| 13 | 0400491 | 1/2" HCL LKWSHR ZP | 2 |
| 14 | 0400492 | 1/2" FLATWASHER ZP | 2 |
| 15 | 0400505 | 5/8" SAE WASHER | 2 |
| 16 | 0400508 | 5/8" HELICAL LCKWSHR ZP | 10 |
| 17 | 0400594 | 1/4-20X5/8 SOC FLT HD | 8 |
| 18 | 0723463 | PLATE, PAD RETAINER | 1 |
| 19 | 0723476 | PLATE, PAD RETAINER | 1 |
| 20 | 0724348 | PIN, EXT CYL REAR MTG -STINGER | 1 |
| 21 | 0807763 | 1ST STAGE STINGER WELD'T 116" | 1 |
| 22 | 0807765 | FOLDING BOOM WELD'T 116" | 1 |
| 23 | 0810009 | 2ND STAGE STINGER - 116" | 1 |
| 24 | 124004468 | ALUM HEEL PLATE 12" 9055 VULCN | 1 |
| 25 | 9012510 | CONNECTOR 6SAE MALE-3/8 | 2 |
| 26 | 9040602 | 5/8NC X 1 1/4 HHCS GR 8 | 1 |
| 27 | 9044170 | 1-8X1-1/2 SOC SET SCREW | 1 |
| 28 | 9044471 | 5/8-18 X 1 1/4 HHCS PL GR8 | 8 |
| 29 | 9046315 | 3/16 DIAX1 3/4LG ROLL PI | 2 |
| 30 | 9046625 | 7/8X6 1/2 LG HITCH PIN | 1 |
| 31 | 9054150 | 1 1/2 INT. RET. RING (C | 1 |
| 32 | 915760022 | HYD.TUBE 3/8 STINGER EX | 1 |
| 33 | 915760023 | HYD.TUBE 3/8 STINGER EX | 1 |
| 34 | 916770001 | HOSE- HYD. 3/8 - 105" 8MJ-6MFA | 2 |
| 35 | 924902000 | LOWER PIN WELD'T | 1 |
| 36 | 930150001 | STOP PAD (FOLDING BOOM) | 4 |
| 37 | 930150002 | SPACER (1ST STAGE STINGE | 1 |
| 38 | 930150003 | TOP PADS | 4 |
| 39 | 930150004 | BOTTOM PADS | 4 |
| 40 | 930150011 | PIN (CYL STIFFENER PLATE | 1 |
| 41 | 930152000 | FRONT MTG. PIN WELD'T | 1 |
| 42 | 930770500 | TWIN CYL. ARRANGEMENT WELD-ON | 1 |
| 43 | 930901500 | SHAFT WELD'T - FOLD.BOOM PIVOT | 1 |
| 44 | 945300000 | PIVOT FOOT WELDMENT | 1 |
| 45 | 945351000 | SHAFT WELDT-FOLDING BOOM PIVOT | 1 |

Section II - PARTS LIST (cont'd)

V-100 2-STAGE W/STD STINGER (cont'd)

| ITEM | PART NUMBER | DESCRIPTION | QTY |
|------|-------------|------------------------------------|-----|
| -- | 0910786 | STINGER ASSY - STD - 114" (cont'd) | |
| 46 | 946750000 | TILT CYLINDER 6 DIA | 1 |
| -- | 124004468 | ALUM HEEL PLATE 12" 9055 VULCN | |
| 47 | 0400155 | 3/8-16X3/4 FHSCS ZP | 6 |
| 48 | 0724687 | U/L HEEL PLATE-9055 | 1 |
| -- | 0911008 | SUBFRAME ASSY V-100 | |
| 49 | 0300649 | UNION, STRAIGHT 12MJ - 12MJ | 2 |
| 50 | 0300865 | FITTING, CONNECTOR 8MJ-8MJ | 4 |
| 51 | 0301522 | FITTING, CONN. 6MJ-6MB | 7 |
| 52 | 0301577 | 1/4 OD PLASTIC AIRLINE, BLACK | 222 |
| 53 | 0301620 | FITTING, HYD. 6MJ - 6MB90 | 1 |
| 54 | 0301895 | GREASE FITTING,STR 1/8 PTF | 6 |
| 55 | 0302275 | FITTING, CONN 8MJ-6MB W/STEP | 5 |
| 56 | 0302276 | FITTING, ELB 90 DEG | 1 |
| 57 | 0302696 | FITTING, CONNECTOR | 2 |
| 58 | 0302726 | GREASE FITTING, 1/4-28 X 45DEG | 16 |
| 59 | 0303193 | BLACK SKUFF JACKET SJ16 | 75 |
| 60 | 0303394 | HOSE HYD, 46" | 4 |
| 61 | 0307003 | FITT, HYD UNION 10MJ-10MJ | 6 |
| 62 | 0311189 | HITCH PIN 1/4" DIA. | 2 |
| 63 | 0400002 | 4X1/4 DRIVE SCREW RD HD | 4 |
| 64 | 0400066 | 1/4-20X3/4 HHCS GR5 ZP | 6 |
| 65 | 0400109 | 5/16-18X1 HHCS GR5 ZP | 4 |
| 66 | 0400114 | 5/16-18X3 HHCS GR5 ZP | 2 |
| 67 | 0400126 | 3/8-16X1 HHCS GR5 ZP. | 22 |
| 68 | 0400128 | 3/8-16X1.25 FLAT HD SOC | 12 |
| 69 | 0400149 | 3/8-16 X 5/8 HHCS GR5 ZP | 3 |
| 70 | 0400176 | 1/2-13X1 HHCS GR5 ZP | 14 |
| 71 | 0400205 | 1/2-13X3 HHCS GR5 ZP | 1 |
| 72 | 0400306 | 7/8-9X3HHCS GR 8 GOLD | 18 |
| 73 | 0400393 | 3/8-16 HEX NUT JAM ZP | 16 |
| 74 | 0400437 | 7/8-9 NYLOK HEX GR 8 ZP | 18 |
| 75 | 0400452 | 1/4" HELICAL LCKWASHR ZP | 16 |
| 76 | 0400463 | 5/16" FLATWASHER ZP. | 8 |
| 77 | 0400482 | 3/8" HELICAL LCKWSHR - ZP | 3 |
| 78 | 0400491 | 1/2" HCL LKWSHR ZP | 10 |
| 79 | 0400492 | 1/2" FLATWASHER ZP | 6 |
| 80 | 0400508 | 5/8" HELICAL LCKWSHR ZP | 2 |
| 81 | 0400776 | 5/16-18 HEX NUT JAM NYLOK ZP | 2 |
| 82 | 0501420 | PLATE - SERIAL/DATA (V-70) | 1 |
| 83 | 0719585 | D-RING, TOWING | 4 |
| 84 | 0724349 | PLATE, JACK LEG COVER | 2 |
| 85 | 0724499 | PIN - UPPER JACK LEG CYL | 2 |
| 86 | 0724500 | PIN - LOWER JACK LEG CYL | 2 |
| 87 | 0807731 | SUBFRAME WELD'T, V-70, V-100 | 1 |
| 88 | 0810005 | PIN - FORK RETAINING | 2 |
| 89 | 0910705 | CONTROL STATION ASSY | 1 |
| 90 | 0910757 | HYD. TUBE KIT - VULCAN HD | 1 |

Section II - PARTS LIST (cont'd)

V-100 2-STAGE W/STD STINGER (cont'd)

| ITEM | PART NUMBER | DESCRIPTION | QTY |
|------|-------------|--------------------------------|-----|
| -- | 0911008 | SUBFRAME ASSY V-100 (cont'd) | |
| 91 | 9012515 | 1 1/16 -12 37 JIC PLUG | 2 |
| 92 | 9012525 | 9/16 -18 37 JIC MALE PLUG | 4 |
| 93 | 9015738 | HOLDING VALVE MHB-015-L | 2 |
| 94 | 9018241 | SINGLE TUBE CLAMP-1 | 2 |
| 95 | 9018254 | 5/8 TUBE CLAMP SM2160-PP | 12 |
| 96 | 9018255 | 1/2 TUBE CLAMP FM2127-PP | 12 |
| 97 | 9018256 | 3/4 TUBE CLAMP SM3190-PP | 4 |
| 98 | 9018271 | TRANSITION BLOCK 9E0001 | 1 |
| 99 | 9041011 | 1/4 NC X 2 1/2 HHCS PL GR8 | 8 |
| 100 | 9041402 | 1/2 NC X 1 1/4 HHCS PLT GR8 | 5 |
| 101 | 9043950 | 5/8 NC X 1 1/2 HHCS PL GR 8 | 2 |
| 102 | 9053041 | BEARING-SPHERICAL TORRIN | 2 |
| 103 | 9054150 | 1 1/2 INT. RET. RING (C | 8 |
| 104 | 915770002 | 8AT2(8T90S-8T90S) HCL | 2 |
| 105 | 915770017 | 16R4(16MJ-16FJ) HCL | 2 |
| 106 | 915780000 | HYD TANK ASSY 3 POINT M | 1 |
| 107 | 930020001 | SPACER PLATE STIFFLEG SU | 2 |
| 108 | 930202500 | PIVOT BLOCK WELD'T | 2 |
| 109 | 930202504 | TIE PLATE - BOOM PIVOT A | 2 |
| 110 | 930202505 | WASHER PLATE - BOOM PIVO | 4 |
| 111 | 930400009 | BOTTOM PLATE - DCV DUAL | 1 |
| 112 | 9401418 | DIPSTICK WELDMENT HYDR TANK | 1 |
| 113 | 9402970 | TOOLBOX MTG. PAD | 3 |
| 114 | 945000001 | LOCK PLATE - SPHERICAL B | 2 |
| 115 | 945020001 | WASHER PLATE-LOWER LIFT | 2 |
| 116 | 945351500 | PIN WELD'T LOWER LIFT CY | 2 |
| 117 | 945720000 | STIFF LEG CYLINDER - 45/ | 2 |
| 118 | 945770003 | 6AT2(6T90L-8MJ) 24 HYD | 4 |
| 119 | 946402500 | COVER ASSEMBLY | 1 |
| 120 | 946700000 | 45/50 BOOM LIFT CYLINDER | 2 |
| 121 | 946770001 | 6AT2(6T90S-6T90S) HCL | 2 |
| 122 | DE1381 | 1/2 WASHER SAE 17/32 ID | 4 |
| 123 | GA0215 | PIN-"D" RING | 4 |
| -- | 0910705 | CONTROL STATION ASSY | |
| 124 | 0300052 | FITTING, ELB 8MJ-10MB 90 | 1 |
| 125 | 0301376 | CONNECTOR 8 MJ - 10 MB | 9 |
| 126 | 0301619 | FITT, 6MJ-6MJ-6MB BRANCH TEE | 2 |
| 127 | 0302083 | 16 MJ - 12 MB 90 ELBOW | 2 |
| 128 | 0302827 | FITTING, CONNECTOR 10MJ-10MB | 5 |
| 129 | 0306984 | FITT, HYD ELB 12MB-12MJ90 W/HO | 2 |
| 130 | 0400382 | 5/16-18 NYLOK HEX NUT ZP | 8 |
| 131 | 0400387 | 3/8-24 HEX JAM NUT ZP(DE1206) | 32 |
| 133 | 0400392 | 3/8-16 NYLOK HEX NUT ZINC | 40 |
| 134 | 0400480 | 3/8 FLATWASHER ZP | 44 |
| 135 | 0723377 | PLATE, DCV MTG. - VULCAN HD | 1 |
| 136 | 0907441 | CONTROL HANDLE ASSY - SHORT | 8 |
| 137 | 0907442 | CONTROL HANDLE ASSY - LONG | 8 |
| 138 | 9010030 | FITT, BRASS ELB 1/4T-1/8MPX | 12 |

Section II - PARTS LIST (cont'd)

V-100 2-STAGE W/STD STINGER (cont'd)

| ITEM | PART NUMBER | DESCRIPTION | QTY |
|------|-------------|--------------------------------|-----|
| -- | 0910705 | CONTROL STATION ASSY (cont'd) | |
| 139 | 9016021 | VALVE 6 SPOOL 346-9206-018 | 1 |
| 140 | 9016022 | VALVE 2 SPOOL 346-9202-018 | 1 |
| 141 | 9041108 | 5/16 NC X 1 3/4 HHCS PL GR8 | 4 |
| 142 | 9041212 | 3/8 NC X 2 3/4 HHCS PL GR8 | 6 |
| 143 | 9043371 | 6 MM LOCKNUT FOR 9043817 | 8 |
| 144 | 9043713 | M8 X 20 SOC SHOULDER BOL | 8 |
| 145 | 9048513 | SPHERICAL ROD END REBPJH- | 16 |
| 146 | 930400001 | PIN - CONTROL HANDLE PIV | 2 |
| 147 | 930400012 | RH CONTROL ROD (LONG) - | 8 |
| 148 | 930400013 | LH CONTROL ROD (SHORT) - | 8 |
| 149 | 930402600 | SHORT LUG WELD'T - DUAL | 6 |
| 150 | 930402700 | LONG LUG WELD'T - DUAL C | 2 |
| 151 | 946400600 | CHANNEL WELD'T | 2 |
| 152 | GX263 | FITTING, ELB 10MJ-10MB90 | 1 |
| -- | 0907441 | CONTROL HANDLE ASSY - SHORT | |
| 153 | 0806515 | CONTROL HANDLE WELD'T | 1 |
| 154 | 9053524 | BEARING BR. FLG.752 X .879X.75 | 2 |
| -- | 0907442 | CONTROL HANDLE ASSY - LONG | |
| 155 | 0806531 | CONTROL HANDLE WELD'T | 1 |
| 156 | 9053524 | BEARING BR. FLG.752 X .879X.75 | 2 |
| -- | 0910757 | HYD. TUBE KIT - VULCAN HD | |
| 157 | 0310837 | HYD TUBE ASSY, RETURN - REAR | 1 |
| 158 | 0310838 | HYD TUBE ASSY, RH WINCH - B | 1 |
| 159 | 0310839 | HYD TUBE ASSY, REAR PRESSURE | 1 |
| 160 | 0310840 | HYD TUBE ASSY, BOOM LIFT - A | 1 |
| 161 | 0310841 | HYD TUBE ASSY, BOOM LIFT - B | 1 |
| 162 | 0310842 | HYD TUBE ASSY, RH WINCH - A | 1 |
| 163 | 930760010 | TUBE, HYD 1/2 X 17 15/16 RH ST | 1 |
| 164 | 930760011 | TUBE, HYD 1/2 X 17 13/16 RH ST | 1 |
| 165 | 946760001 | TUBE, HYD 3/4 X 30 3/4 FR.VALV | 1 |
| 166 | 946760003 | TUBE, HYD 5/8 X 32 9/16 MAIN B | 2 |
| 167 | 946760004 | TUBE, HYD 1/2 X 34 7/16 ST.EXT | 1 |
| 168 | 946760005 | TUBE, HYD 1/2 X 34 7/16 ST.EXT | 1 |
| 169 | 946760006 | TUBE, HYD 1/2 X 36 1/16 ST.TIL | 1 |
| 170 | 946760007 | TUBE, HYD 1/2 X 36 1/16 ST.TIL | 1 |
| 171 | 946760008 | TUBE, HYD 1/2 LH STIFFLEG | 1 |
| 172 | 946760009 | TUBE, HYD 1/2 LH STIFFLEG B PO | 1 |
| 173 | 946760010 | TUBE, HYD 5/8 X 40 11/16 FR.WI | 1 |
| 174 | 946760011 | TUBE, HYD 5/8 X 40 11/16 FR.WI | 1 |
| 175 | 946760012 | TUBE, HYD 1" RETURN LINE FR.VA | 1 |
| 176 | 946760016 | TUBE, HYD 3/4X77 1/4 END SECTI | 2 |
| 177 | 946760017 | TUBE, HYD 5/8X80 3/8 END SECTI | 6 |
| 178 | 946760018 | TUBE, HYD 1/2X77 3/8 END SECTI | 4 |
| -- | 915780000 | HYD TANK ASSY 3 POINT M | |
| 179 | 0301611 | PIPE, 1-1/4 SCH40 BLK | 2 |

Section II - PARTS LIST (cont'd)

V-100 2-STAGE W/STD STINGER (cont'd)

| ITEM | PART NUMBER | DESCRIPTION | QTY |
|------|-------------|----------------------------------|-----|
| -- | 915780000 | HYD TANK ASSY 3 POINT M (cont'd) | |
| 180 | 0302696 | FITTING, CONNECTOR | 2 |
| 181 | 0302699 | PIPE NIPPLE - 1-1/4 X 2 | 2 |
| 182 | 0305006 | FILLER CAP (GO205,FB194) | 1 |
| 183 | 9011014 | 1/4NPT SOCKET STL PLUG * | 1 |
| 184 | 9012913 | MAGNETIC PIPE PLUG 3/4NP | 1 |
| 185 | 9015571 | BALL VALVE - 1 1/4 CV5 | 2 |
| 186 | 9018139 | SUCT.STRAINER LHA SEH-2 | 2 |
| 187 | 9018140 | OIL FILTER HEAD-LHA SP50NAHN- | 2 |
| 188 | 9032122 | GASKET, HYD. TANK COVER | 1 |
| 189 | 9043477 | 5/16-18X1 SOC HD CAP SCREW | 6 |
| 190 | 915780500 | HYDRAULIC TANK WELD'T | 1 |
| 191 | 9401408 | INSPECT COVER | 1 |
| -- | 946402500 | COVER ASSEMBLY | |
| 192 | 0301851 | TRIM-LOCK 150B2X1/8 | 5 |
| 193 | 9041202 | 3/8-16 X 5/8 HHCS PL GR8 | 6 |
| 194 | 9045057 | 0400482 3/8 BS LOCK WASHER | 6 |
| 195 | 946402501 | TOP PANNEL - COVER | 1 |
| 196 | 946402600 | REAR PANEL WELD'T | 1 |
| 197 | 946402700 | FRONT PANEL WELD'T | 1 |
| -- | 0911011 | RECOVERY BOOM INSTALL V100 2-STG | |
| 198 | 0301577 | 1/4 OD PLASTIC AIRLINE, BLACK | 105 |
| 199 | 0310194 | HARNESS, WIRING 2-SPEED | 1 |
| 200 | 0400066 | 1/4-20X3/4 HHCS GR5 ZP | 8 |
| 201 | 0400126 | 3/8-16X1 HHCS GR5 ZP. | 4 |
| 202 | 0400132 | 3/8-16X1.5 HHCS GR5 ZP | 6 |
| 203 | 0400392 | 3/8-16 NYLOK HEX NUT ZINC | 12 |
| 204 | 0400424 | 5/8-18 HEX NUT ZP | 2 |
| 205 | 0400426 | 5/8-11 GR 8 NYLOK NUT YZ PLT | 4 |
| 206 | 0400452 | 1/4" HELICAL LCKWASHR ZP | 8 |
| 207 | 0400482 | 3/8" HELICAL LCKWSHR - ZP | 4 |
| 208 | 0400505 | 5/8" SAE WASHER | 2 |
| 209 | 0911034 | RECOVERY BOOM ASSY V-100 2-STG | 1 |
| 210 | 9018255 | 1/2 TUBE CLAMP FM2127-PP | 12 |
| 211 | 9041058 | 1/4 X 1 3/4 HHCS GR8 | 2 |
| 212 | 9043605 | 5/8-18 X 2 SOC HD CAP | 2 |
| 213 | 9043975 | H.H.C.SCREW 5/8N.C.X3 1/ | 2 |
| 214 | 9044409 | 5/8-11 X 2 1/4 HHCS PL GR8 | 2 |
| 215 | 9044434 | 3/8-16X1 NC FLAT SOCKET HD CAP | 2 |
| 216 | 9048800 | 5/8 WELDLESS CHAIN LINK | 2 |
| 217 | 930290001 | STOP BLOCK VERT BOOM WEL | 2 |
| 218 | 9400004 | BRONZE BUSHING | 2 |
| 219 | 945020001 | WASHER PLATE-LOWER LIFT | 2 |
| 220 | 945030007 | CABLE TIE BACK SPRING-1 | 2 |
| 221 | 945040001 | SPACER, MAIN BOOM PIVOT | 2 |
| 222 | 945291500 | LOWER GUIDE PAD WELD'T | 2 |
| 223 | 945350001 | PIVOT PIN, MAIN BOOM | 1 |
| 224 | 945351500 | PIN WELD'T LOWER LIFT CY | 2 |

Section II - PARTS LIST (cont'd)

V-100 2-STAGE W/STD STINGER (cont'd)

| ITEM | PART NUMBER | DESCRIPTION | QTY |
|------|-------------|--------------------------------|-----|
| -- | 0911011 | RECOVERY BOOM INSTALL (cont'd) | |
| 225 | 945760021 | HYD TUBE UNDER BOOM STIN | 4 |
| 226 | 946770003 | HOSE ASSEMBLY - 8MJ-8MJ X 45 | 4 |
| 227 | 946770007 | HOSE ASSEMBLY - 79 | 2 |
| 228 | 946770009 | HOSE ASSEMBLY - 104 | 2 |
| -- | 0911034 | RECOVERY BOOM ASSY V-100 2-STG | |
| 229 | 0300041 | FITTING, CONNECTOR 8MJ-8MB | 4 |
| 230 | 0300052 | FITTING, ELB 8MJ-10MB 90 | 1 |
| 231 | 0301522 | FITTING, CONN. 6MJ-6MB | 2 |
| 232 | 0301696 | FITTING, ELB 90 DEG 6MJ-6FJX90 | 2 |
| 233 | 0301895 | GREASE FITTING,STR 1/8 PTF | 6 |
| 234 | 0301895 | GREASE FITTING,STR 1/8 PTF | 7 |
| 235 | 0301949 | 3/8" OD AIRLINE,SYNFLEX HOSE | 14 |
| 236 | 0302776 | SNAP RING,EXTERNAL 2 | 2 |
| 237 | 0303505 | WINCH-DP MODEL S50-50K (2)SPD | 2 |
| 238 | 0400059 | 1/4-20X5/8 HHCS GR5 ZP | 10 |
| 239 | 0400059 | 1/4-20X5/8 HHCS GR5 ZP | 2 |
| 240 | 0400288 | 3/4-10X2.5HHCS GR 8GOLD | 32 |
| 241 | 0400431 | 3/4-10 NYLOK HEX GR 8 ZP | 32 |
| 242 | 0400492 | 1/2" FLATWASHER ZP | 1 |
| 243 | 0400512 | 3/4 FLAT WASHER(SPECIAL) | 64 |
| 244 | 0715517 | PIN - "D"-RING OUT BOOM WELD'T | 1 |
| 245 | 0719585 | D-RING, TOWING | 1 |
| 246 | 0724343 | BAR, CABLE SUPPORT | 1 |
| 247 | 0724344 | CHANNEL, ROPE GUIDE | 1 |
| 248 | 0806863 | INNER BOOM WELDMENT V-100 | 1 |
| 249 | 0807965 | WINCH MTG BRACKET | 8 |
| 250 | 0810006 | OUTER BOOM WELD'T V-100 | 1 |
| 251 | 0908425 | KIT - BOOM SWIVEL | 1 |
| 252 | 3012-793001 | PLATE - LUBE MTG. | 1 |
| 253 | 9010030 | FITT, BRASS ELB 1/4T-1/8MPX | 1 |
| 254 | 9010520 | FITT, BRASS ELB 1/4T-1/4MP | 2 |
| 255 | 9012549 | CONNECTOR-MALE 3/8TUBEX1 | 1 |
| 256 | 9012552 | BULKHEAD ADAPTER 1/8M-1/8F NPT | 1 |
| 257 | 9012575 | LEGRIS- 3108-56-11 1/8NP | 3 |
| 258 | 9012584 | ELBOW-1/4NPT X 3/8TUBE 9 | 1 |
| 259 | 9041403 | 1/2 NC X 1 1/2 HHCS PL GR8 | 1 |
| 260 | 9054200 | INTERNAL RETN'G RING 2 H | 2 |
| 261 | 9056137 | RETAINING RING - 1 3/8 | 2 |
| 262 | 920110015 | ROPE CATCHER | 1 |
| 263 | 920255003 | SPACER - LOCK PIN WELD'T | 1 |
| 264 | 930250018 | CABLE RETAINER OUTER BOOM | 1 |
| 265 | 930290002 | COVER PLATE VERT BOOM MA | 2 |
| 266 | 945030001 | PAD RETAINING PLATE-UPPE | 1 |
| 267 | 945350500 | PIN WELD'T-TILT CYL UPPE | 1 |
| 268 | 945710000 | RECOVERY BOOM EXTENSION CYL. | 1 |
| 269 | 945770002 | 6AT2(6T90S-8MJ) HCL 48 | 2 |
| 270 | 946030004 | UPPER WEAR PAD-RECOVERY | 1 |
| 271 | 946030005 | LOWER WEAR PAD-RECOVERY | 1 |

Section II - PARTS LIST (cont'd)

V-100 2-STAGE W/STD STINGER (cont'd)

| ITEM | PART NUMBER | DESCRIPTION | QTY |
|------|-------------|---|-----|
| -- | 0911034 | RECOVERY BOOM ASSY V-100 2-STG (cont'd) | |
| 272 | 946032000 | TOP SPIDER CLAMP WELD'T | 1 |
| 273 | 946032500 | BOTTOM SPIDER CLAMP WELD | 1 |
| 274 | 946350001 | PIN MAIN BOOM EXT CYL FR | 1 |
| 275 | 946350002 | PIN MAIN BOOM EXT CYL RE | 1 |
| 276 | 946760200 | HYD. TUBE KIT | 1 |
| 277 | 946770006 | HOSE ASSEMBLY - 62 | 4 |
| 278 | 946770008 | HOSE ASSEMBLY - 116 | 1 |
| -- | 0908425 | KIT - BOOM SWIVEL | |
| 279 | 0400557 | 1/2X1-1/4 ROLL PIN ZP | 6 |
| 280 | 0908424 | SWIVEL-BOOM ASSEMBLY | 2 |
| -- | 0908424 | SWIVEL-BOOM ASSEMBLY | |
| 281 | 0300113 | GREASE FITTING,1/4-28 STRAIGHT | 1 |
| 282 | 0300311 | SHEAVE, 12-10-1BB 10 | 1 |
| 283 | 0400133 | 3/8-16X3 HHCS GR5 ZP | 2 |
| 284 | 0400140 | 3/8-16X4 HHCS GR5 ZP | 1 |
| 285 | 0400392 | 3/8-16 NYLOK HEX NUT ZINC | 3 |
| 286 | 0700511 | GUIDE, BOTTOM CABLE | 2 |
| 287 | 0700563 | SHAFT, SHEAVE | 1 |
| 288 | 0802027 | GUIDE-CABLE WELDMENT | 1 |
| 289 | 0806862 | BOOM END SWIVEL WELDMENT V-70 | 1 |
| -- | 0911031 | SHIP KIT, V-100 | |
| 290 | 0301215 | WIRE ROPE 3/4X6X37 IWRC 250' | 2 |
| 291 | 0303056 | D GASKET- H2 ADHESIVE | 8 |
| 292 | 0307626 | SAFETY CHAIN ASY,1/2X14' GR100 | 2 |
| 293 | 0310599 | CRC HD CORROSION INHIBIT SPRAY | 1 |
| 294 | 0400128 | 3/8-16X1.25 FLAT HD SOC | 12 |
| 295 | 0501128 | V-90/V-100 OWNERS MANUAL | 1 |
| 296 | 0723437 | CHANNEL SUPPORT VULCAN | 2 |
| 297 | 0724476 | PAD - NYLATORN - BBOM GUIDE | 4 |
| 298 | 0904217 | HARDWARE-BODY MOUNTING | 1 |
| 299 | 0908202 | KIT, FORK - VULCAN LWRK | 1 |
| 300 | 0908203 | KIT, HDU CHAIN ADPTR -VUL LWRK | 1 |
| 301 | 0908204 | KIT, HDU RISER BRKT -VUL LWRK | 1 |
| 302 | 0908205 | KIT, SPRG LIFT BRKT -VUL LWRK | 1 |
| 303 | 0908206 | KIT, FORK ADAPTER -VUL LWRK | 1 |
| 304 | 0908207 | KIT, PUMP -VUL LWRK | 1 |
| 305 | 0908208 | KIT, MOUNTING -VUL LWRK | 1 |
| 306 | 0911146 | PURCHASED SHIP KIT-VULCAN HVY | 1 |
| 307 | 0911148 | VULCAN HD ADDTL BOLT KIT | 1 |
| 308 | 9401902 | TRAILER RECOVERY LOOP (EA) | 1 |
| 309 | 946990200 | V-100 DECALS | 1 |
| -- | 0904217 | HARDWARE-BODY MOUNTING | |
| 310 | 0400286 | 3/4-10X2.75" HHCSGR 8GOLD | 44 |
| 311 | 0400301 | 7/8-9X3HHCS GR5 ZP | 4 |
| 312 | 0400431 | 3/4-10 NYLOK HEX GR 8 ZP | 44 |

Section II - PARTS LIST (cont'd)

V-100 2-STAGE W/STD STINGER (cont'd)

| ITEM | PART NUMBER | DESCRIPTION | QTY |
|------|-------------|----------------------------------|-----|
| -- | 0904217 | HARDWARE-BODY MOUNTING (cont'd) | |
| 313 | 0400436 | 7/8-9 NYLOK HEX NUT ZP | 4 |
| -- | 0908202 | KIT, FORK - VULCAN LWRK | |
| 314 | 0200018 | FORK-SHORT, 3IN OPNG | 2 |
| 315 | 0200019 | FORK-SHORT, 4-1/2IN OPNG | 2 |
| 316 | 0200020 | FORK-MED, 3IN OPNG | 2 |
| 317 | 0200021 | FORK-MED, 4-1/2IN OPNG | 2 |
| 318 | 0200023 | FORK-LONG, 4-1/2IN OPNG | 2 |
| 319 | 0200024 | FORK - OFFSET REAR AXLE | 2 |
| 320 | 0200042 | FORK - MEDIUM ROUND AXLE | 2 |
| 321 | 0200058 | FORK - AXLE | 2 |
| -- | 0908203 | KIT, HDU CHAIN ADPTR -VUL LWRK | |
| 322 | 0310230 | CLEVIS PIN, 5/8 X 6 ZINC PLT | 2 |
| 323 | 0400886 | HITCH PIN CLIP,1/8 DIA X 2.6 OAL | 2 |
| 324 | 0801186 | ADAPTER-HDU CHAIN (LH OR RH) | 1 |
| 325 | 0801186 | ADAPTER-HDU CHAIN (LH OR RH) | 1 |
| -- | 0908204 | KIT, HDU RISER BRKT -VUL LWRK | |
| 326 | 0306564 | ALUM T HANDLE 5/8" X 1-1/4" | 2 |
| 327 | 0801459 | BRKT-RISER-HDU | 2 |
| -- | 0908205 | KIT, SPRG LIFT BRKT -VUL LWRK | |
| 328 | 0807023 | BRKT-PIVOT SPRING LIFT | 2 |
| 329 | 0908672 | PIN-RET.-SPRING LIFT | 2 |
| -- | 0908672 | PIN-RET.-SPRING LIFT | |
| 330 | 0302474 | PIN, LINCH 3/16 | 1 |
| 331 | 0311167 | 3/16 SWAGE FOR 1/8 COATED CABL | 1 |
| 332 | 0311210 | CABLE, PIN RETAINER ASSY .125 | 1 |
| 333 | 0400568 | 3/8X3" ROLL PIN ZP | 1 |
| 334 | 0400573 | 3/16X1-1/4ROLL PIN ZP | 1 |
| 335 | 0402020 | 1/4-20NC X 3/4 HEX HD SS | 1 |
| 336 | 0718917 | PIN, RETAINER | 1 |
| -- | 0908206 | KIT, FORK ADAPTER -VUL LWRK | |
| 337 | 0306564 | ALUM T HANDLE 5/8" X 1-1/4" | 2 |
| 338 | 0803591 | ADAPTER-LEFT FORK | 1 |
| 339 | 0803592 | ADAPTER-RIGHT FORK | 1 |
| 340 | 0900900 | PIN-ASSY, RETAINER | 2 |
| -- | 0900900 | PIN-ASSY, RETAINER | |
| 341 | 0302474 | PIN, LINCH 3/16 | 1 |
| 342 | 0311167 | 3/16 SWAGE FOR 1/8 COATED CABL | 1 |
| 343 | 0311210 | CABLE, PIN RETAINER ASSY .125 | 1 |
| 344 | 0400568 | 3/8X3" ROLL PIN ZP | 1 |
| 345 | 0400573 | 3/16X1-1/4ROLL PIN ZP | 1 |
| 346 | 0402020 | 1/4-20NC X 3/4 HEX HD SS | 1 |
| 347 | 0703426 | PIN,RETAINER | 1 |

Section II - PARTS LIST (cont'd)

V-100 2-STAGE W/STD STINGER (cont'd)

| ITEM | PART NUMBER | DESCRIPTION | QTY |
|------|-------------|--------------------------------|-----|
| -- | 0908207 | KIT, PUMP -VUL LWRK | |
| 348 | 0302901 | HOSE HYD, 120" 12C12 | 2 |
| 349 | 0307995 | HOSE, HYD 103" LG | 2 |
| 350 | 0310010 | SUCTION HOSE,1-1/4ID X50 100R4 | 1 |
| 351 | 9016815 | MUNCIE PUMP TSPKS17-17-2BSSB | 1 |
| -- | 0908208 | KIT, MOUNTING -VUL LWRK | |
| 352 | 920000501 | REAR MOUNTING PLATE | 2 |
| 353 | 9401501 | FRONT MTG. PLATE | 2 |
| 354 | 9401530 | FRONT MTG. BRKT. LOWER | 2 |
| 355 | 9401540 | FRONT MTG. BRKT. UPPER | 2 |
| -- | 0911146 | PURCHASED SHIP KIT-VULCAN HVY | |
| 356 | 0300341 | KNOB, BLACK (BLANK) | 12 |
| 357 | 0307604 | KNOB, RED LONG - SK0700-07 | 4 |
| 358 | 0902333 | KIT-GLAD HAND | 1 |
| 359 | 0904183 | KIT-AIR TENSIONER | 1 |
| 360 | 0906024 | KIT BOX, V100 SHIP-DUAL CNTRL | 1 |
| 361 | 0908209 | KIT, MUDFLAP -VUL LWRK | 1 |
| 362 | 0908550 | KIT, SAFETY TREAD DECAL-VULCAN | 1 |
| -- | 0902333 | KIT-GLAD HAND | |
| 363 | 0301909 | RECEPTACLE BOOT | 1 |
| 364 | 0301946 | FITTING, BLKHD CONNECT | 2 |
| 365 | 0301948 | HD 7 WAY TRAILER CONNECT | 1 |
| 366 | 0304363 | QUICK DISCONNECT 1/2 FPT | 2 |
| 367 | 0400070 | 1/4-20X1 HHCS GR5 ZP | 2 |
| 368 | 0400367 | 1/4-20 NYLOK HEX NUT ZP | 2 |
| 369 | 0400451 | 1/4 FLATWASHER ZP | 2 |
| -- | 0904183 | KIT-AIR TENSIONER | |
| 370 | 0301577 | 1/4 OD PLASTIC AIRLINE, BLACK | 25 |
| 371 | 0302495 | CONVOLUTED LOOM 1/4 | 25 |
| 372 | 0311193 | 6" CABLE TIE | 25 |
| 373 | 0400062 | 1/4-20X3/4 THRD CUT HEX | 2 |
| 374 | 0700188 | BRKT,BULKHEAD | 2 |
| 375 | 0909085 | KIT,AIR FLR/REG/LUBE COMBO 1/4 | 1 |
| 376 | HA0132 | GAUGE 0-160 PSI | 1 |
| -- | 0909085 | KIT,AIR FLR/REG/LUBE COMBO 1/4 | |
| 377 | 0302123 | HEX NIPPLE 4MP-4MP | 1 |
| 378 | 0303363 | AIR FLTR/REGULATOR COMBO | 1 |
| 379 | 0306983 | FITT, BRASS RUNTEE 1/4T-1/4MPX | 1 |
| 380 | 9010520 | FITT, BRASS ELB 1/4T-1/4MP | 1 |
| -- | 0906024 | KIT BOX, V100 SHIP-DUAL CNTRL | |
| 381 | 0906018 | H.D. LIGHTING PARTS BAG | 1 |
| 382 | 0906028 | H.D. FITTINGS BAG | 1 |
| 383 | 0906839 | GROUND KIT MTG.HARNESS VULCAN | 1 |
| 384 | 0907304 | KIT - QUICK DISCONNECT AIR | 1 |

Section II - PARTS LIST (cont'd)

V-100 2-STAGE W/STD STINGER (cont'd)

| ITEM | PART NUMBER | DESCRIPTION | QTY |
|------|-------------|--|-----|
| -- | 0906024 | KIT BOX, V100 SHIP-DUAL CNTRL (cont'd) | |
| 385 | 124002186 | QUICK CONNECT AIR SUPPLY | 1 |
| 386 | 945990400 | DUAL CONTROL COMMON DECA | 1 |
| -- | 0906018 | H.D. LIGHTING PARTS BAG | |
| 387 | 0303226 | 80 AMP CIRCUIT BREAKER | 2 |
| 388 | 9032096 | DECORATIVE TRIM 7500036 | 25 |
| -- | 0906028 | H.D. FITTINGS BAG | |
| 389 | 0300364 | CLAMP-HOSE,0.875"-2.75" 50"LBS | 4 |
| 390 | 0300649 | UNION, STRAIGHT 12MJ - 12MJ | 4 |
| 391 | 0302698 | FITTING, HOSE BARB,1-1/4 | 2 |
| 392 | 0303290 | INSULATED CLAMP 2 1/2 | 10 |
| 393 | 0303948 | FTG-90DEG ELL 12MJ-16MB90 | 2 |
| 394 | 0306539 | HOSE BARB 20HOSE16MB90 | 2 |
| 395 | 0400122 | 3/8-16X1.25 HHCS GR5 ZP | 5 |
| 396 | 0400392 | 3/8-16 NYLOK HEX NUT ZINC | 5 |
| 397 | 0400480 | 3/8 FLATWASHER ZP | 5 |
| -- | 0906839 | GROUND KIT MTG.HARNES VULCAN | |
| 398 | 0400126 | 3/8-16X1 HHCS GR5 ZP. | 4 |
| 399 | 0400382 | 5/16-18 NYLOK HEX NUT ZP | 4 |
| 400 | 0400481 | 3/8" EXT.Tooth LOCKWASHER | 4 |
| 401 | 0400495 | 5/8" EXT.Tooth LOCKWASHER | 4 |
| 402 | 0402122 | 3/8-16NC HEX NUT 316 SS | 4 |
| 403 | 0716468 | LUG - GROUNDING | 4 |
| -- | 0907304 | KIT - QUICK DISCONNECT AIR | |
| 404 | 0301621 | PRESSURE PROTECTION VLV. | 1 |
| 405 | 0301946 | FITTING, BLKHD CONNECT | 1 |
| 406 | 0302123 | HEX NIPPLE 4MP-4MP | 1 |
| 407 | 0302125 | PIPE, BUSHING 1/2MPT X 1/4FPT | 1 |
| 408 | 0302534 | FITTING, 45 DEG ELBOW | 2 |
| 409 | 0302740 | AIR HOSE, 1/2" SYN FLEX DOT | 20 |
| 410 | 0303538 | FITT, ADAPTER -BRASS 8FP-6MP | 1 |
| 411 | 0303539 | QUICK DISCONNECT 3/8 FPT | 1 |
| -- | 124002186 | QUICK CONNECT AIR SUPPLY | |
| 412 | 0302740 | AIR HOSE, 1/2" SYN FLEX DOT | 20 |
| 413 | 0311037 | 3/8" RED RUBER HOSE 50' PRECUT | 1 |
| 414 | 0910488 | FITTINGS BOX, QUICK CONN AIR | 1 |
| -- | 0910488 | FITTINGS BOX, QUICK CONN AIR | |
| 415 | 0301621 | PRESSURE PROTECTION VLV. | 1 |
| 416 | 0301946 | FITTING, BLKHD CONNECT | 1 |
| 417 | 0302123 | HEX NIPPLE 4MP-4MP | 1 |
| 418 | 0302125 | PIPE, BUSHING 1/2MPT X 1/4FPT | 1 |
| 419 | 0302534 | FITTING, 45 DEG ELBOW | 2 |
| 420 | 0303538 | FITT, ADAPTER -BRASS 8FP-6MP | 1 |
| 421 | 0303539 | QUICK DISCONNECT 3/8 FPT | 1 |

Section II - PARTS LIST (cont'd)

V-100 2-STAGE W/STD STINGER (cont'd)

| ITEM | PART NUMBER | DESCRIPTION | QTY |
|------|-------------|---------------------------------------|-----|
| -- | 0910488 | FITTINGS BOX, QUICK CONN AIR (cont'd) | |
| 422 | 0303540 | NIPPLE, QUICK DISCONNECT 3/8 | 1 |
| 423 | 0303541 | NIPPLE, QUICK DISCONNECT | 1 |
| 424 | 0303542 | QUICK DISCONNECT - BARB | 1 |
| -- | 945990400 | DUAL CONTROL COMMON DECA | |
| 425 | 0500554 | FLAG, AMERICAN LT | 2 |
| 426 | 0500686 | DECAL - RETRACT CAUTION | 2 |
| 427 | 0500773 | DECAL PLATE-THROTTLE | 2 |
| 428 | 0501101 | DECAL-CTRL CABLE SPEED | 2 |
| 429 | 0501157 | TAG-CAUTION WINCH CABLE DAMAGE | 2 |
| 430 | 9033194 | WARNING DECAL MOVING PAR | 2 |
| 431 | 9033196 | WARN.DECAL,DONT WALK UND | 2 |
| 432 | 9033197 | WARNING DECAL-CABLE TENS | 2 |
| 433 | 9033198 | DECAL-SAFETY CHAINS | 2 |
| 434 | 9033212 | NAME PLATE- VULCAN 4 X1 | 4 |
| 435 | 9033575 | DECAL - REMOTE | 2 |
| 436 | 9033576 | DECAL - FREE SPOOL LH WINCH | 2 |
| 437 | 9033577 | DECAL - TENSIONER | 2 |
| 438 | 9033578 | DECAL - FREE SPOOL RH WI | 2 |
| 439 | 9033579 | DECAL - DUAL CONTROL UPP | 1 |
| 440 | 9033580 | DECAL - DUAL CONTROL LOW | 1 |
| 441 | 9033581 | DECAL - NEW VULCAN | 2 |
| 442 | 9033586 | DECAL DUAL CONTROL UPPER | 1 |
| 443 | 9033587 | DECAL DUAL CONTROL LOWER | 1 |
| 444 | 920950009 | DECAL - WARNING FOR STIF | 2 |
| -- | 0908209 | KIT, MUDFLAP -VUL LWRK | |
| 445 | 920400005 | MUD FLAP BRACE PLATE | 2 |
| 446 | 94320052 | MUD FLAP 920-940 RUBBER | 1 |
| -- | 0911148 | VULCAN HD ADDTL BOLT KIT | |
| 447 | 0400431 | 3/4-10 NYLOK HEX GR 8 ZP | 2 |
| 448 | 0400490 | 3/4 FLATWASHER GR 8 | 4 |
| 449 | 9044454 | 3/4-10NC X 7 LG HHCS GRD | 2 |
| -- | 946990200 | V-100 DECALS | |
| 450 | 9033583 | DECAL - V100 | 2 |
| 451 | 9033603 | DECAL WARNING V-100 BOOM | 2 |
| 452 | 9033606 | DECAL WARNING V-90, V-10 | 2 |
| 453 | 9033612 | DECAL WARNING V-100 WINC | 2 |

Section II - PARTS LIST (cont'd)
V-100 3-STAGE W/STD STINGER

| ITEM | PART NUMBER | DESCRIPTION | QTY |
|------|-------------|--------------------------------|-----|
| -- | 125100300 | V-100 3-STG, STD STINGER | |
| 1 | 0911002 | BUA, V-100 3-STG STD STINGER | 1 |
| 2 | 0911031 | SHIP KIT, V-100 | 1 |
| -- | 0911002 | BUA, V-100 3-STG STD STINGER | |
| 3 | 0910786 | STINGER ASSY - STD - 114" | 1 |
| 4 | 0911008 | SUBFRAME ASSY V-100 | 1 |
| 5 | 0911012 | RECOVERY BOOM INSTALL V100 3-S | 1 |
| -- | 0910786 | STINGER ASSY - STD - 114" | |
| 6 | 0300113 | GREASE FITTING,1/4-28 STRAIGHT | 4 |
| 7 | 0301895 | GREASE FITTING,STR 1/8 PTF | 4 |
| 8 | 0303193 | BLACK SKUFF JACKET SJ16 | 19 |
| 9 | 0400134 | 3/8-24X3/4 FLTHDSKTSCR | 3 |
| 10 | 0400176 | 1/2-13X1 HHCS GR5 ZP | 1 |
| 11 | 0400177 | 1/2-13X1.25 HHCS GR5 ZP | 1 |
| 12 | 0400248 | 5/8-11X1HHCS GR 8 ZP | 1 |
| 13 | 0400491 | 1/2" HCL LKWSHR ZP | 2 |
| 14 | 0400492 | 1/2" FLATWASHER ZP | 2 |
| 15 | 0400505 | 5/8" SAE WASHER | 2 |
| 16 | 0400508 | 5/8" HELICAL LCKWSHR ZP | 10 |
| 17 | 0400594 | 1/4-20X5/8 SOC FLT HD | 8 |
| 18 | 0723463 | PLATE, PAD RETAINER | 1 |
| 19 | 0723476 | PLATE, PAD RETAINER | 1 |
| 20 | 0724348 | PIN, EXT CYL REAR MTG -STINGER | 1 |
| 21 | 0807763 | 1ST STAGE STINGER WELD'T 116" | 1 |
| 22 | 0807765 | FOLDING BOOM WELD'T 116" | 1 |
| 23 | 0810009 | 2ND STAGE STINGER - 116" | 1 |
| 24 | 124004468 | ALUM HEEL PLATE 12" 9055 VULCN | 1 |
| 25 | 9012510 | CONNECTOR 6SAE MALE-3/8 | 2 |
| 26 | 9040602 | 5/8NC X 1 1/4 HHCS GR 8 | 1 |
| 27 | 9044170 | 1-8X1-1/2 SOC SET SCREW | 1 |
| 28 | 9044471 | 5/8-18 X 1 1/4 HHCS PL GR8 | 8 |
| 29 | 9046315 | 3/16 DIAX1 3/4LG ROLL PI | 2 |
| 30 | 9046625 | 7/8X6 1/2 LG HITCH PIN | 1 |
| 31 | 9054150 | 1 1/2 INT. RET. RING (C | 1 |
| 32 | 915760022 | HYD.TUBE 3/8 STINGER EX | 1 |
| 33 | 915760023 | HYD.TUBE 3/8 STINGER EX | 1 |
| 34 | 916770001 | HOSE- HYD. 3/8 - 105" 8MJ-6MFA | 2 |
| 35 | 924902000 | LOWER PIN WELD'T | 1 |
| 36 | 930150001 | STOP PAD (FOLDING BOOM) | 4 |
| 37 | 930150002 | SPACER (1ST STAGE STINGE | 1 |
| 38 | 930150003 | TOP PADS | 4 |
| 39 | 930150004 | BOTTOM PADS | 4 |
| 40 | 930150011 | PIN (CYL STIFFENER PLATE | 1 |
| 41 | 930152000 | FRONT MTG. PIN WELD'T | 1 |
| 42 | 930770500 | TWIN CYL. ARRANGEMENT WELD-ON | 1 |
| 43 | 930901500 | SHAFT WELD'T - FOLD.BOOM PIVOT | 1 |
| 44 | 945300000 | PIVOT FOOT WELDMENT | 1 |
| 45 | 945351000 | SHAFT WELDT-FOLDING BOOM PIVOT | 1 |

Section II - PARTS LIST (cont'd)

V-100 3-STAGE W/STD STINGER (cont'd)

| ITEM | PART NUMBER | DESCRIPTION | QTY |
|------|-------------|------------------------------------|-----|
| -- | 0910786 | STINGER ASSY - STD - 114" (cont'd) | |
| 46 | 946750000 | TILT CYLINDER 6 DIA | 1 |
| -- | 124004468 | ALUM HEEL PLATE 12" 9055 VULCN | |
| 47 | 0400155 | 3/8-16X3/4 FHSCS ZP | 6 |
| 48 | 0724687 | U/L HEEL PLATE-9055 | 1 |
| -- | 0911008 | SUBFRAME ASSY V-100 | |
| 49 | 0300649 | UNION, STRAIGHT 12MJ - 12MJ | 2 |
| 50 | 0300865 | FITTING, CONNECTOR 8MJ-8MJ | 4 |
| 51 | 0301522 | FITTING, CONN. 6MJ-6MB | 7 |
| 52 | 0301577 | 1/4 OD PLASTIC AIRLINE, BLACK | 222 |
| 53 | 0301620 | FITTING, HYD. 6MJ - 6MB90 | 1 |
| 54 | 0301895 | GREASE FITTING,STR 1/8 PTF | 6 |
| 55 | 0302275 | FITTING, CONN 8MJ-6MB W/STEP | 5 |
| 56 | 0302276 | FITTING, ELB 90 DEG | 1 |
| 57 | 0302696 | FITTING, CONNECTOR | 2 |
| 58 | 0302726 | GREASE FITTING, 1/4-28 X 45DEG | 16 |
| 59 | 0303193 | BLACK SKUFF JACKET SJ16 | 75 |
| 60 | 0303394 | HOSE HYD, 46" | 4 |
| 61 | 0307003 | FITT, HYD UNION 10MJ-10MJ | 6 |
| 62 | 0311189 | HITCH PIN 1/4" DIA. | 2 |
| 63 | 0400002 | 4X1/4 DRIVE SCREW RD HD | 4 |
| 64 | 0400066 | 1/4-20X3/4 HHCS GR5 ZP | 6 |
| 65 | 0400109 | 5/16-18X1 HHCS GR5 ZP | 4 |
| 66 | 0400114 | 5/16-18X3 HHCS GR5 ZP | 2 |
| 67 | 0400126 | 3/8-16X1 HHCS GR5 ZP. | 22 |
| 68 | 0400128 | 3/8-16X1.25 FLAT HD SOC | 12 |
| 69 | 0400149 | 3/8-16 X 5/8 HHCS GR5 ZP | 3 |
| 70 | 0400176 | 1/2-13X1 HHCS GR5 ZP | 14 |
| 71 | 0400205 | 1/2-13X3 HHCS GR5 ZP | 1 |
| 72 | 0400306 | 7/8-9X3HHCS GR 8 GOLD | 18 |
| 73 | 0400393 | 3/8-16 HEX NUT JAM ZP | 16 |
| 74 | 0400437 | 7/8-9 NYLOK HEX GR 8 ZP | 18 |
| 75 | 0400452 | 1/4" HELICAL LCKWASHR ZP | 16 |
| 76 | 0400463 | 5/16" FLATWASHER ZP. | 8 |
| 77 | 0400482 | 3/8" HELICAL LCKWSHR - ZP | 3 |
| 78 | 0400491 | 1/2" HCL LKWSHR ZP | 10 |
| 79 | 0400492 | 1/2" FLATWASHER ZP | 6 |
| 80 | 0400508 | 5/8" HELICAL LCKWSHR ZP | 2 |
| 81 | 0400776 | 5/16-18 HEX NUT JAM NYLOK ZP | 2 |
| 82 | 0501420 | PLATE - SERIAL/DATA (V-70) | 1 |
| 83 | 0719585 | D-RING, TOWING | 4 |
| 84 | 0724349 | PLATE, JACK LEG COVER | 2 |
| 85 | 0724499 | PIN - UPPER JACK LEG CYL | 2 |
| 86 | 0724500 | PIN - LOWER JACK LEG CYL | 2 |
| 87 | 0807731 | SUBFRAME WELD'T, V-70, V-100 | 1 |
| 88 | 0810005 | PIN - FORK RETAINING | 2 |
| 89 | 0910705 | CONTROL STATION ASSY | 1 |
| 90 | 0910757 | HYD. TUBE KIT - VULCAN HD | 1 |

Section II - PARTS LIST (cont'd)

V-100 3-STAGE W/STD STINGER (cont'd)

| ITEM | PART NUMBER | DESCRIPTION | QTY |
|------|-------------|--------------------------------|-----|
| -- | 0911008 | SUBFRAME ASSY V-100 (cont'd) | |
| 91 | 9012515 | 1 1/16 -12 37 JIC PLUG | 2 |
| 92 | 9012525 | 9/16 -18 37 JIC MALE PLUG | 4 |
| 93 | 9015738 | HOLDING VALVE MHB-015-L | 2 |
| 94 | 9018241 | SINGLE TUBE CLAMP-1 | 2 |
| 95 | 9018254 | 5/8 TUBE CLAMP SM2160-PP | 12 |
| 96 | 9018255 | 1/2 TUBE CLAMP FM2127-PP | 12 |
| 97 | 9018256 | 3/4 TUBE CLAMP SM3190-PP | 4 |
| 98 | 9018271 | TRANSITION BLOCK 9E0001 | 1 |
| 99 | 9041011 | 1/4 NC X 2 1/2 HHCS PL GR8 | 8 |
| 100 | 9041402 | 1/2 NC X 1 1/4 HHCS PLT GR8 | 5 |
| 101 | 9043950 | 5/8 NC X 1 1/2 HHCS PL GR 8 | 2 |
| 102 | 9053041 | BEARING-SPHERICAL TORRIN | 2 |
| 103 | 9054150 | 1 1/2 INT. RET. RING (C | 8 |
| 104 | 915770002 | 8AT2(8T90S-8T90S) HCL | 2 |
| 105 | 915770017 | 16R4(16MJ-16FJ) HCL | 2 |
| 106 | 915780000 | HYD TANK ASSY 3 POINT M | 1 |
| 107 | 930020001 | SPACER PLATE STIFFLEG SU | 2 |
| 108 | 930202500 | PIVOT BLOCK WELD'T | 2 |
| 109 | 930202504 | TIE PLATE - BOOM PIVOT A | 2 |
| 110 | 930202505 | WASHER PLATE - BOOM PIVO | 4 |
| 111 | 930400009 | BOTTOM PLATE - DCV DUAL | 1 |
| 112 | 9401418 | DIPSTICK WELDMENT HYDR TANK | 1 |
| 113 | 9402970 | TOOLBOX MTG. PAD | 3 |
| 114 | 945000001 | LOCK PLATE - SPHERICAL B | 2 |
| 115 | 945020001 | WASHER PLATE-LOWER LIFT | 2 |
| 116 | 945351500 | PIN WELD'T LOWER LIFT CY | 2 |
| 117 | 945720000 | STIFF LEG CYLINDER - 45/ | 2 |
| 118 | 945770003 | 6AT2(6T90L-8MJ) 24 HYD | 4 |
| 119 | 946402500 | COVER ASSEMBLY | 1 |
| 120 | 946700000 | 45/50 BOOM LIFT CYLINDER | 2 |
| 121 | 946770001 | 6AT2(6T90S-6T90S) HCL | 2 |
| 122 | DE1381 | 1/2 WASHER SAE 17/32 ID | 4 |
| 123 | GA0215 | PIN-"D" RING | 4 |
| -- | 0910705 | CONTROL STATION ASSY | |
| 124 | 0300052 | FITTING, ELB 8MJ-10MB 90 | 1 |
| 125 | 0301376 | CONNECTOR 8 MJ - 10 MB | 9 |
| 126 | 0301619 | FITT, 6MJ-6MJ-6MB BRANCH TEE | 2 |
| 127 | 0302083 | 16 MJ - 12 MB 90 ELBOW | 2 |
| 128 | 0302827 | FITTING, CONNECTOR 10MJ-10MB | 5 |
| 129 | 0306984 | FITT, HYD ELB 12MB-12MJ90 W/HO | 2 |
| 130 | 0400382 | 5/16-18 NYLOK HEX NUT ZP | 8 |
| 131 | 0400387 | 3/8-24 HEX JAM NUT ZP(DE1206) | 32 |
| 133 | 0400392 | 3/8-16 NYLOK HEX NUT ZINC | 40 |
| 134 | 0400480 | 3/8 FLATWASHER ZP | 44 |
| 135 | 0723377 | PLATE, DCV MTG. - VULCAN HD | 1 |
| 136 | 0907441 | CONTROL HANDLE ASSY - SHORT | 8 |
| 137 | 0907442 | CONTROL HANDLE ASSY - LONG | 8 |
| 138 | 9010030 | FITT, BRASS ELB 1/4T-1/8MPX | 12 |

Section II - PARTS LIST (cont'd)

V-100 3-STAGE W/STD STINGER (cont'd)

| ITEM | PART NUMBER | DESCRIPTION | QTY |
|------|-------------|--------------------------------|-----|
| -- | 0910705 | CONTROL STATION ASSY (cont'd) | |
| 139 | 9016021 | VALVE 6 SPOOL 346-9206-018 | 1 |
| 140 | 9016022 | VALVE 2 SPOOL 346-9202-018 | 1 |
| 141 | 9041108 | 5/16 NC X 1 3/4 HHCS PL GR8 | 4 |
| 142 | 9041212 | 3/8 NC X 2 3/4 HHCS PL GR8 | 6 |
| 143 | 9043371 | 6 MM LOCKNUT FOR 9043817 | 8 |
| 144 | 9043713 | M8 X 20 SOC SHOULDER BOL | 8 |
| 145 | 9048513 | SPHERICAL ROD END REBPJH- | 16 |
| 146 | 930400001 | PIN - CONTROL HANDLE PIV | 2 |
| 147 | 930400012 | RH CONTROL ROD (LONG) - | 8 |
| 148 | 930400013 | LH CONTROL ROD (SHORT) - | 8 |
| 149 | 930402600 | SHORT LUG WELD'T - DUAL | 6 |
| 150 | 930402700 | LONG LUG WELD'T - DUAL C | 2 |
| 151 | 946400600 | CHANNEL WELD'T | 2 |
| 152 | GX263 | FITTING, ELB 10MJ-10MB90 | 1 |
| -- | 0907441 | CONTROL HANDLE ASSY - SHORT | |
| 153 | 0806515 | CONTROL HANDLE WELD'T | 1 |
| 154 | 9053524 | BEARING BR. FLG.752 X .879X.75 | 2 |
| -- | 0907442 | CONTROL HANDLE ASSY - LONG | |
| 155 | 0806531 | CONTROL HANDLE WELD'T | 1 |
| 156 | 9053524 | BEARING BR. FLG.752 X .879X.75 | 2 |
| -- | 0910757 | HYD. TUBE KIT - VULCAN HD | |
| 157 | 0310837 | HYD TUBE ASSY, RETURN - REAR | 1 |
| 158 | 0310838 | HYD TUBE ASSY, RH WINCH - B | 1 |
| 159 | 0310839 | HYD TUBE ASSY, REAR PRESSURE | 1 |
| 160 | 0310840 | HYD TUBE ASSY, BOOM LIFT - A | 1 |
| 161 | 0310841 | HYD TUBE ASSY, BOOM LIFT - B | 1 |
| 162 | 0310842 | HYD TUBE ASSY, RH WINCH - A | 1 |
| 163 | 930760010 | TUBE, HYD 1/2 X 17 15/16 RH ST | 1 |
| 164 | 930760011 | TUBE, HYD 1/2 X 17 13/16 RH ST | 1 |
| 165 | 946760001 | TUBE, HYD 3/4 X 30 3/4 FR.VALV | 1 |
| 166 | 946760003 | TUBE, HYD 5/8 X 32 9/16 MAIN B | 2 |
| 167 | 946760004 | TUBE, HYD 1/2 X 34 7/16 ST.EXT | 1 |
| 168 | 946760005 | TUBE, HYD 1/2 X 34 7/16 ST.EXT | 1 |
| 169 | 946760006 | TUBE, HYD 1/2 X 36 1/16 ST.TIL | 1 |
| 170 | 946760007 | TUBE, HYD 1/2 X 36 1/16 ST.TIL | 1 |
| 171 | 946760008 | TUBE, HYD 1/2 LH STIFFLEG | 1 |
| 172 | 946760009 | TUBE, HYD 1/2 LH STIFFLEG B PO | 1 |
| 173 | 946760010 | TUBE, HYD 5/8 X 40 11/16 FR.WI | 1 |
| 174 | 946760011 | TUBE, HYD 5/8 X 40 11/16 FR.WI | 1 |
| 175 | 946760012 | TUBE, HYD 1" RETURN LINE FR.VA | 1 |
| 176 | 946760016 | TUBE, HYD 3/4X77 1/4 END SECTI | 2 |
| 177 | 946760017 | TUBE, HYD 5/8X80 3/8 END SECTI | 6 |
| 178 | 946760018 | TUBE, HYD 1/2X77 3/8 END SECTI | 4 |
| -- | 915780000 | HYD TANK ASSY 3 POINT M | |
| 179 | 0301611 | PIPE, 1-1/4 SCH40 BLK | 2 |

Section II - PARTS LIST (cont'd)

V-100 3-STAGE W/STD STINGER (cont'd)

| ITEM | PART NUMBER | DESCRIPTION | QTY |
|------|-------------|----------------------------------|-----|
| -- | 915780000 | HYD TANK ASSY 3 POINT M (cont'd) | |
| 180 | 0302696 | FITTING, CONNECTOR | 2 |
| 181 | 0302699 | PIPE NIPPLE - 1-1/4 X 2 | 2 |
| 182 | 0305006 | FILLER CAP (GO205,FB194) | 1 |
| 183 | 9011014 | 1/4NPT SOCKET STL PLUG * | 1 |
| 184 | 9012913 | MAGNETIC PIPE PLUG 3/4NP | 1 |
| 185 | 9015571 | BALL VALVE - 1 1/4 CV5 | 2 |
| 186 | 9018139 | SUCT.STRAINER LHA SEH-2 | 2 |
| 187 | 9018140 | OIL FILTER HEAD-LHA SP50NAHN- | 2 |
| 188 | 9032122 | GASKET, HYD. TANK COVER | 1 |
| 189 | 9043477 | 5/16-18X1 SOC HD CAP SCREW | 6 |
| 190 | 915780500 | HYDRAULIC TANK WELD'T | 1 |
| 191 | 9401408 | INSPECT COVER | 1 |
| -- | 946402500 | COVER ASSEMBLY | |
| 192 | 0301851 | TRIM-LOCK 150B2X1/8 | 5 |
| 193 | 9041202 | 3/8-16 X 5/8 HHCS PL GR8 | 6 |
| 194 | 9045057 | 0400482 3/8 BS LOCK WASHER | 6 |
| 195 | 946402501 | TOP PANNEL - COVER | 1 |
| 196 | 946402600 | REAR PANEL WELD'T | 1 |
| 197 | 946402700 | FRONT PANEL WELD'T | 1 |
| -- | 0911012 | RECOVERY BOOM INSTALL 3-STAGE | |
| 198 | 0301577 | 1/4 OD PLASTIC AIRLINE, BLACK | 105 |
| 199 | 0310194 | HARNESS, WIRING 2-SPEED | 1 |
| 200 | 0400066 | 1/4-20X3/4 HHCS GR5 ZP | 8 |
| 201 | 0400126 | 3/8-16X1 HHCS GR5 ZP. | 4 |
| 202 | 0400132 | 3/8-16X1.5 HHCS GR5 ZP | 6 |
| 203 | 0400392 | 3/8-16 NYLOK HEX NUT ZINC | 12 |
| 204 | 0400424 | 5/8-18 HEX NUT ZP | 2 |
| 205 | 0400426 | 5/8-11 GR 8 NYLOK NUT YZ PLT | 4 |
| 206 | 0400452 | 1/4" HELICAL LCKWASHR ZP | 8 |
| 207 | 0400482 | 3/8" HELICAL LCKWSHR - ZP | 4 |
| 208 | 0400505 | 5/8" SAE WASHER | 2 |
| 209 | 0911035 | RECOVERY BOOM ASSY V100 3-STG | 1 |
| 210 | 9018255 | 1/2 TUBE CLAMP FM2127-PP | 12 |
| 211 | 9041058 | 1/4 X 1 3/4 HHCS GR8 | 2 |
| 212 | 9043605 | 5/8-18 X 2 SOC HD CAP | 2 |
| 213 | 9043975 | H.H.C.SCREW 5/8N.C.X3 1/2 | 2 |
| 214 | 9044409 | 5/8-11 X 2 1/4 HHCS PL GR8 | 2 |
| 215 | 9044434 | 3/8-16X1 NC FLAT SOCKET HD CAP | 2 |
| 216 | 9048800 | 5/8 WELDLESS CHAIN LINK | 2 |
| 217 | 930290001 | STOP BLOCK VERT BOOM WEL | 2 |
| 218 | 9400004 | BRONZE BUSHING | 2 |
| 219 | 945020001 | WASHER PLATE-LOWER LIFT | 4 |
| 220 | 945030007 | CABLE TIE BACK SPRING-1 | 2 |
| 221 | 945040001 | SPACER, MAIN BOOM PIVOT | 2 |
| 222 | 945291500 | LOWER GUIDE PAD WELD'T | 2 |
| 223 | 945350001 | PIVOT PIN, MAIN BOOM | 1 |
| 224 | 945351500 | PIN WELD'T LOWER LIFT CY | 2 |

Section II - PARTS LIST (cont'd)

V-100 3-STAGE W/STD STINGER (cont'd)

| ITEM | PART NUMBER | DESCRIPTION | QTY |
|------|-------------|--|------|
| -- | 0911012 | RECOVERY BOOM INSTALL 3-STAGE (cont'd) | |
| 225 | 945760021 | HYD TUBE UNDER BOOM STIN | 4 |
| 226 | 946770003 | HOSE ASSEMBLY - 8MJ-8MJ X 45 | 4 |
| 227 | 946770007 | HOSE ASSEMBLY - 79 | 2 |
| 228 | 946770009 | HOSE ASSEMBLY - 104 | 2 |
| -- | 0911035 | RECOVERY BOOM ASSY V100 3-STG | |
| 229 | 0300041 | FITTING, CONNECTOR 8MJ-8MB | 4 |
| 230 | 0301522 | FITTING, CONN. 6MJ-6MB | 2 |
| 231 | 0301895 | GREASE FITTING,STR 1/8 PTF | 1 |
| 232 | 0303505 | WINCH-dp MODEL S50-50K (2)SPD | 2 |
| 233 | 0307406 | PAD, SLIDE - (3) STAGE 9055 | 1 |
| 234 | 0309343 | 1/4 TUBE TO 1/8MP STRAIGHT FTG | 1 |
| 235 | 0310797 | 1" WIRE LOOM | 0.01 |
| 236 | 0311460 | 1/4" GREASE TUBING | 14 |
| 237 | 0311575 | 1/4x1/4 PTC SWIVEL MALE ELBOW | 1 |
| 238 | 0400059 | 1/4-20X5/8 HHCS GR5 ZP | 10 |
| 239 | 0400288 | 3/4-10X2.5HHCS GR 8GOLD | 32 |
| 240 | 0400426 | 5/8-11 GR 8 NYLOK NUT YZ PLT | 4 |
| 241 | 0400431 | 3/4-10 NYLOK HEX GR 8 ZP | 32 |
| 242 | 0400452 | 1/4" HELICAL LCKWASHR ZP | 10 |
| 243 | 0400489 | WASHER -FLAT 3/4 SAE HARDENED | 64 |
| 244 | 0400491 | 1/2" HCL LKWSHR ZP | 1 |
| 245 | 0400492 | 1/2" FLATWASHER ZP | 1 |
| 246 | 0715517 | PIN - "D"-RING OUT BOOM WELD'T | 1 |
| 247 | 0719585 | D-RING, TOWING | 1 |
| 248 | 0724343 | BAR, CABLE SUPPORT | 1 |
| 249 | 0724344 | CHANNEL, ROPE GUIDE | 1 |
| 250 | 0806824 | BOOM, MID STAGE WELD'T | 1 |
| 251 | 0807965 | WINCH MTG BRACKET | 8 |
| 252 | 0807971 | V-100 3-STAGE OUTER BOOM | 1 |
| 253 | 0908119 | BOOM EXTEND SYSTEM 9055 3STAGE | 1 |
| 254 | 0908356 | SLIDE PAD ASSY (9055 3 STAGE) | 2 |
| 255 | 0908359 | SLIDE PAD ASSY (V100 3 STAGE) | 4 |
| 256 | 0908425 | KIT - BOOM SWIVEL | 1 |
| 257 | 3012-793001 | PLATE - LUBE MTG. | 1 |
| 258 | 9010030 | FITT, BRASS ELB 1/4T-1/8MPX | 1 |
| 259 | 9010520 | FITTING-ELBOW 1/4T-1/4NPT | 2 |
| 260 | 9012552 | BULKHEAD ADAPTER 1/8M-1/8F NPT | 1 |
| 261 | 9012575 | LEGRIS- 3108-56-11 1/8NP | 3 |
| 262 | 9018255 | 1/2 TUBE CLAMP FM2127-PP | 12 |
| 263 | 9041403 | 1/2 NC X 1 1/2 HHCS PL GR8 | 1 |
| 264 | 9044434 | 3/8-16X1 NC FLAT SOCKET HD CAP | 4 |
| 265 | 9056137 | RETAINING RING - 1 3/8 | 2 |
| 266 | 916040004 | WEAR PAD - LOWER | 1 |
| 267 | 920255003 | SPACER - LOCK PIN WELD'T | 1 |
| 268 | 930290002 | COVER PLATE VERT BOOM MA | 2 |
| 269 | 945350500 | PIN WELD'T-TILT CYL UPPE | 1 |
| 270 | 945770002 | 6AT2(6T90S-8MJ) HCL 48 | 2 |
| 271 | 946030004 | UPPER WEAR PAD-RECOVERY | 2 |

Section II - PARTS LIST (cont'd)

V-100 3-STAGE W/STD STINGER (cont'd)

| ITEM | PART NUMBER | DESCRIPTION | QTY |
|-----------|----------------------|--|-----|
| -- 272 | 0911035 947270000 | RECOVERY BOOM ASSY V100 3-STG (cont'd) INNER BOOM TUBE WLMT | 1 |
| -- 273 | 0908119 0300113 | BOOM EXTEND SYSTEM 9055 3STAGE GREASE FITTING,1/4-28 STRAIGHT | 4 |
| 274 | 0301388 | FITTING, 90ELL, 8MJ-8MB90 | 2 |
| 275 | 0305023 | SNAP RING 5100-0225PP | 2 |
| 276 | 0307160 | CABLE - EXT ASSY 3-STAGE BOOM | 2 |
| 277 | 0307402 | CYL HYD 6.5 BORE 3-STAGE 9055& | 1 |
| 278 | 0307403 | CABLE - ASSY (RETRACT) 3-STAGE | 2 |
| 279 | 0400146 | 3/8-16X2.25 HHCS GR5 ZP | 1 |
| 280 | 0400223 | 3/8-16X3/4 FL HEAD | 4 |
| 281 | 0400264 | 5/8-11X2.25 HHCS GR5 ZP | 4 |
| 282 | 0400398 | 3/8-16 NYLOK HALF-NUT ZP | 1 |
| 283 | 0400421 | 5/8-11 NYLOK HEX NUT ZP | 4 |
| 284 | 0400448 | 1.25-12X1/2 HEX JAM NUT | 2 |
| 285 | 0400461 | NUT, HEX 1.25-12 GR8 PL | 2 |
| 286 | 0400471 | NUT, HEX 7/8-14 UNF GR8 ZP | 2 |
| 287 | 0400472 | NUT, JAM 7/8-14 UNF GR8 ZP | 2 |
| 288 | 0400473 | WASH, FLAT 7/8" PL HARD'N | 2 |
| 289 | 0400480 | 3/8 FLATWASHER ZP | 6 |
| 290 | 0400501 | WASH, SAE 1 1/4 HARDENED PL | 2 |
| 291 | 0717744 | PIN, EXTEND CYL. BASE | 1 |
| 292 | 0717747 | PIN, RETRACT CABLE | 1 |
| 293 | 0806752 | SHAFT-RETRACT SHEAVE WELD'T | 4 |
| 294 | 0908022 | EXTEND SHEAVE ASSY 9055 3STAGE | 1 |
| 295 | 0908118 | SHEAVE ASSY 5" DIA | 4 |
| 296 | GA0215 | PIN-"D" RING | 1 |
| -- 297 | 0908022 0300113 | EXTEND SHEAVE ASSY 9055 3STAGE GREASE FITTING,1/4-28 STRAIGHT | 2 |
| 298 | 0303441 | SHEAVE-10" DIA X 1.5 BORE | 2 |
| 299 | 0400177 | 1/2-13X1.25 HHCS GR5 ZP | 4 |
| 300 | 0400223 | 3/8-16X3/4 FL HEAD | 1 |
| 301 | 0400483 | 3/8 CNTR'SUNK LOCKWASHER | 1 |
| 302 | 0400491 | 1/2" HCL LKWSHR ZP | 4 |
| 303 | 0717743 | ROD, EXTEND SHEAVE SPACER | 2 |
| 304 | 0806721 | BRKT WELD'T - EXTEND SHEAVE | 1 |
| 305 | 0806722 | SHAFT - EXTEND SHEAVE WELD'T | 1 |
| -- 306 | 0908118 0307432 | SHEAVE ASSY 5" DIA BUSHING - BRONZE | 1 |
| 307 | 0717909 | SHEAVE, 5" DIA RETRACT | 1 |
| -- 308 | 0908356 0303490 | SLIDE PAD ASSY (9055 3 STAGE) PAD-WEAR 1/2" X 1" X 4" | 1 |
| 309 | 0400066 | 1/4-20X3/4 HHCS GR5 ZP | 1 |
| 310 | 0400349 | 3/8-16X3/4 FLT SOC HD | 5 |
| 311 | 0400451 | 1/4 FLATWASHER ZP | 1 |
| 312 | 0400452 | 1/4" HELICAL LCKWASHR ZP | 1 |

Section II - PARTS LIST (cont'd)

V-100 3-STAGE W/STD STINGER (cont'd)

| ITEM | PART NUMBER | DESCRIPTION | QTY |
|------|-------------|--|-----|
| -- | 0908356 | SLIDE PAD ASSY (9055 3 STAGE) (cont'd) | |
| 313 | 0717262 | SHIM - SLIDE PAD | 2 |
| 314 | 0718134 | PLATE - SLIDE PAD SUPPORT | 1 |
| -- | 0908359 | SLIDE PAD ASSY (V100 3 STAGE) | |
| 315 | 0306825 | SLIDE PAD - 3/4 x 1 x 4 | 1 |
| 316 | 0400066 | 1/4-20X3/4 HHCS GR5 ZP | 1 |
| 317 | 0400126 | 3/8-16X1 HHCS GR5 ZP. | 5 |
| 318 | 0400451 | 1/4 FLATWASHER ZP | 1 |
| 319 | 0400452 | 1/4" HELICAL LCKWASHR ZP | 1 |
| 320 | 0400482 | 3/8" HELICAL LCKWSHR - ZP | 5 |
| 321 | 0717746 | PLATE, SLIDE PAD SUPPORT | 1 |
| -- | 0908425 | KIT - BOOM SWIVEL | |
| 322 | 0400557 | 1/2X1-1/4 ROLL PIN ZP | 6 |
| 323 | 0908424 | SWIVEL-BOOM ASSEMBLY | 2 |
| -- | 0911031 | SHIP KIT, V-100 | |
| 324 | 0301215 | WIRE ROPE 3/4X6X37 IWRC 250' | 2 |
| 325 | 0303056 | D GASKET- H2 ADHESIVE | 8 |
| 326 | 0307626 | SAFETY CHAIN ASY,1/2X14' GR100 | 2 |
| 327 | 0310599 | CRC HD CORROSION INHIBIT SPRAY | 1 |
| 328 | 0400128 | 3/8-16X1.25 FLAT HD SOC | 12 |
| 329 | 0501128 | V-90/V-100 OWNERS MANUAL | 1 |
| 330 | 0723437 | CHANNEL SUPPORT VULCAN | 2 |
| 331 | 0724476 | PAD - NYLATORN - BBOM GUIDE | 4 |
| 332 | 0904217 | HARDWARE-BODY MOUNTING | 1 |
| 333 | 0908202 | KIT, FORK - VULCAN LWRK | 1 |
| 334 | 0908203 | KIT, HDU CHAIN ADPTR -VUL LWRK | 1 |
| 335 | 0908204 | KIT, HDU RISER BRKT -VUL LWRK | 1 |
| 336 | 0908205 | KIT, SPRG LIFT BRKT -VUL LWRK | 1 |
| 337 | 0908206 | KIT, FORK ADAPTER -VUL LWRK | 1 |
| 338 | 0908207 | KIT, PUMP -VUL LWRK | 1 |
| 339 | 0908208 | KIT, MOUNTING -VUL LWRK | 1 |
| 340 | 0911146 | PURCHASED SHIP KIT-VULCAN HVY | 1 |
| 341 | 0911148 | VULCAN HD ADDTL BOLT KIT | 1 |
| 342 | 9401902 | TRAILER RECOVERY LOOP (EA) | 1 |
| 343 | 946990200 | V-100 DECALS | 1 |
| -- | 0904217 | HARDWARE-BODY MOUNTING | |
| 344 | 0400286 | 3/4-10X2.75" HHCSGR 8GOLD | 44 |
| 345 | 0400301 | 7/8-9X3HHCS GR5 ZP | 4 |
| 346 | 0400431 | 3/4-10 NYLOK HEX GR 8 ZP | 44 |
| 347 | 0400436 | 7/8-9 NYLOK HEX NUT ZP | 4 |
| -- | 0908202 | KIT, FORK - VULCAN LWRK | |
| 348 | 0200018 | FORK-SHORT, 3IN OPNG | 2 |
| 349 | 0200019 | FORK-SHORT, 4-1/2IN OPNG | 2 |
| 350 | 0200020 | FORK-MED, 3IN OPNG | 2 |
| 351 | 0200021 | FORK-MED, 4-1/2IN OPNG | 2 |

Section II - PARTS LIST (cont'd)

V-100 3-STAGE W/STD STINGER (cont'd)

| ITEM | PART NUMBER | DESCRIPTION | QTY |
|------|-------------|----------------------------------|-----|
| -- | 0908202 | KIT, FORK - VULCAN LWRK (cont'd) | |
| 352 | 0200024 | FORK - OFFSET REAR AXLE | 2 |
| 353 | 0200042 | FORK - MEDIUM ROUND AXLE | 2 |
| 354 | 0200058 | FORK - AXLE | 2 |
| -- | 0908203 | KIT, HDU CHAIN ADPTR -VUL LWRK | |
| 355 | 0310230 | CLEVIS PIN, 5/8 X 6 ZINC PLT | 2 |
| 356 | 0400886 | HITCH PIN CLIP,1/8 DIA X 2.6 OAL | 2 |
| 357 | 0801186 | ADAPTER-HDU CHAIN (LH OR RH) | 1 |
| 358 | 0801186 | ADAPTER-HDU CHAIN (LH OR RH) | 1 |
| -- | 0908204 | KIT, HDU RISER BRKT -VUL LWRK | |
| 359 | 0306564 | ALUM T HANDLE 5/8" X 1-1/4" | 2 |
| 360 | 0801459 | BRKT-RISER-HDU | 2 |
| -- | 0908205 | KIT, SPRG LIFT BRKT -VUL LWRK | |
| 361 | 0807023 | BRKT-PIVOT SPRING LIFT | 2 |
| 362 | 0908672 | PIN-RET.-SPRING LIFT | 2 |
| -- | 0908672 | PIN-RET.-SPRING LIFT | |
| 363 | 0302474 | PIN, LINCH 3/16 | 1 |
| 364 | 0311167 | 3/16 SWAGE FOR 1/8 COATED CABL | 1 |
| 365 | 0311210 | CABLE, PIN RETAINER ASSY .125 | 1 |
| 366 | 0400568 | 3/8X3" ROLL PIN ZP | 1 |
| 367 | 0400573 | 3/16X1-1/4ROLL PIN ZP | 1 |
| 368 | 0402020 | 1/4-20NC X 3/4 HEX HD SS | 1 |
| 369 | 0718917 | PIN, RETAINER | 1 |
| -- | 0908206 | KIT, FORK ADAPTER -VUL LWRK | |
| 370 | 0306564 | ALUM T HANDLE 5/8" X 1-1/4" | 2 |
| 371 | 0803591 | ADAPTER-LEFT FORK | 1 |
| 372 | 0803592 | ADAPTER-RIGHT FORK | 1 |
| 373 | 0900900 | PIN-ASSY, RETAINER | 2 |
| -- | 0900900 | PIN-ASSY, RETAINER | |
| 374 | 0302474 | PIN, LINCH 3/16 | 1 |
| 375 | 0311167 | 3/16 SWAGE FOR 1/8 COATED CABL | 1 |
| 376 | 0311210 | CABLE, PIN RETAINER ASSY .125 | 1 |
| 377 | 0400568 | 3/8X3" ROLL PIN ZP | 1 |
| 378 | 0400573 | 3/16X1-1/4ROLL PIN ZP | 1 |
| 379 | 0402020 | 1/4-20NC X 3/4 HEX HD SS | 1 |
| 380 | 0703426 | PIN,RETAINER | 1 |
| -- | 0908207 | KIT, PUMP -VUL LWRK | |
| 381 | 0302901 | HOSE HYD, 120" 12C12 | 2 |
| 382 | 0307995 | HOSE, HYD 103" LG | 2 |
| 383 | 0310010 | SUCTION HOSE,1-1/4ID X50 100R4 | 1 |
| 384 | 9016815 | MUNCIE PUMP TSPKS17-17-2BSSB | 1 |

Section II - PARTS LIST (cont'd)

V-100 3-STAGE W/STD STINGER (cont'd)

| ITEM | PART NUMBER | DESCRIPTION | QTY |
|------|-------------|--------------------------------|-----|
| -- | 0908208 | KIT, MOUNTING -VUL LWRK | |
| 385 | 920000501 | REAR MOUNTING PLATE | 2 |
| 386 | 9401501 | FRONT MTG. PLATE | 2 |
| 387 | 9401530 | FRONT MTG. BRKT. LOWER | 2 |
| 388 | 9401540 | FRONT MTG. BRKT. UPPER | 2 |
| -- | 0911146 | PURCHASED SHIP KIT-VULCAN HVY | |
| 389 | 0300341 | KNOB, BLACK (BLANK) | 12 |
| 390 | 0307604 | KNOB, RED LONG - SK0700-07 | 4 |
| 391 | 0902333 | KIT-GLAD HAND | 1 |
| 392 | 0904183 | KIT-AIR TENSIONER | 1 |
| 393 | 0906024 | KIT BOX, V100 SHIP-DUAL CNTRL | 1 |
| 394 | 0908209 | KIT, MUDFLAP -VUL LWRK | 1 |
| 395 | 0908550 | KIT, SAFETY TREAD DECAL-VULCAN | 1 |
| -- | 0902333 | KIT-GLAD HAND | |
| 396 | 0301909 | RECEPTACLE BOOT | 1 |
| 397 | 0301946 | FITTING, BLKHD CONNECT | 2 |
| 398 | 0301948 | HD 7 WAY TRAILER CONNECT | 1 |
| 399 | 0304363 | QUICK DISCONNECT 1/2 FPT | 2 |
| 400 | 0400070 | 1/4-20X1 HHCS GR5 ZP | 2 |
| 401 | 0400367 | 1/4-20 NYLOK HEX NUT ZP | 2 |
| 402 | 0400451 | 1/4 FLATWASHER ZP | 2 |
| -- | 0904183 | KIT-AIR TENSIONER | |
| 403 | 0301577 | 1/4 OD PLASTIC AIRLINE, BLACK | 25 |
| 404 | 0302495 | CONVOLUTED LOOM 1/4 | 25 |
| 405 | 0311193 | 6" CABLE TIE | 25 |
| 406 | 0400062 | 1/4-20X3/4 THRD CUT HEX | 2 |
| 407 | 0700188 | BRKT,BULKHEAD | 2 |
| 408 | 0909085 | KIT,AIR FLR/REG/LUBE COMBO 1/4 | 1 |
| 409 | HA0132 | GAUGE 0-160 PSI | 1 |
| -- | 0909085 | KIT,AIR FLR/REG/LUBE COMBO 1/4 | |
| 410 | 0302123 | HEX NIPPLE 4MP-4MP | 1 |
| 411 | 0303363 | AIR FLTR/REGULATOR COMBO | 1 |
| 412 | 0306983 | FITT, BRASS RUNTEE 1/4T-1/4MPX | 1 |
| 413 | 9010520 | FITT, BRASS ELB 1/4T-1/4MP | 1 |
| -- | 0906024 | KIT BOX, V100 SHIP-DUAL CNTRL | |
| 414 | 0906018 | H.D. LIGHTING PARTS BAG | 1 |
| 415 | 0906028 | H.D. FITTINGS BAG | 1 |
| 416 | 0906839 | GROUND KIT MTG.HARNESS VULCAN | 1 |
| 417 | 0907304 | KIT - QUICK DISCONNECT AIR | 1 |
| 418 | 124002186 | QUICK CONNECT AIR SUPPLY | 1 |
| 419 | 945990400 | DUAL CONTROL COMMON DECA | 1 |
| -- | 0906018 | H.D. LIGHTING PARTS BAG | |
| 420 | 0303226 | 80 AMP CIRCUIT BREAKER | 2 |
| 421 | 9032096 | DECORATIVE TRIM 7500036 | 25 |

Section II - PARTS LIST (cont'd)

V-100 3-STAGE W/STD STINGER (cont'd)

| ITEM | PART NUMBER | DESCRIPTION | QTY |
|------|-------------|--------------------------------|-----|
| -- | 0906028 | H.D. FITTINGS BAG | |
| 422 | 0300364 | CLAMP-HOSE,0.875"-2.75" 50"LBS | 4 |
| 423 | 0300649 | UNION, STRAIGHT 12MJ - 12MJ | 4 |
| 424 | 0302698 | FITTING, HOSE BARB,1-1/4 | 2 |
| 425 | 0303290 | INSULATED CLAMP 2 1/2 | 10 |
| 426 | 0303948 | FTG-90DEG ELL 12MJ-16MB90 | 2 |
| 427 | 0306539 | HOSE BARB 20HOSE16MB90 | 2 |
| 428 | 0400122 | 3/8-16X1.25 HHCS GR5 ZP | 5 |
| 429 | 0400392 | 3/8-16 NYLOK HEX NUT ZINC | 5 |
| 430 | 0400480 | 3/8 FLATWASHER ZP | 5 |
| -- | 0906839 | GROUND KIT MTG.HARNES VULCAN | |
| 431 | 0400126 | 3/8-16X1 HHCS GR5 ZP. | 4 |
| 432 | 0400382 | 5/16-18 NYLOK HEX NUT ZP | 4 |
| 433 | 0400481 | 3/8" EXT.Tooth LOCKWASHER | 4 |
| 434 | 0400495 | 5/8" EXT.Tooth LOCKWASHER | 4 |
| 435 | 0402122 | 3/8-16NC HEX NUT 316 SS | 4 |
| 436 | 0716468 | LUG - GROUNDING | 4 |
| -- | 0907304 | KIT - QUICK DISCONNECT AIR | |
| 437 | 0301621 | PRESSURE PROTECTION VLV. | 1 |
| 438 | 0301946 | FITTING, BLKHD CONNECT | 1 |
| 439 | 0302123 | HEX NIPPLE 4MP-4MP | 1 |
| 440 | 0302125 | PIPE, BUSHING 1/2MPT X 1/4FPT | 1 |
| 441 | 0302534 | FITTING, 45 DEG ELBOW | 2 |
| 442 | 0302740 | AIR HOSE, 1/2" SYN FLEX DOT | 20 |
| 443 | 0303538 | FITT, ADAPTER -BRASS 8FP-6MP | 1 |
| 444 | 0303539 | QUICK DISCONNECT 3/8 FPT | 1 |
| -- | 124002186 | QUICK CONNECT AIR SUPPLY | |
| 445 | 0302740 | AIR HOSE, 1/2" SYN FLEX DOT | 20 |
| 446 | 0311037 | 3/8" RED RUBER HOSE 50' PRECUT | 1 |
| 447 | 0910488 | FITTINGS BOX, QUICK CONN AIR | 1 |
| -- | 0910488 | FITTINGS BOX, QUICK CONN AIR | |
| 448 | 0301621 | PRESSURE PROTECTION VLV. | 1 |
| 449 | 0301946 | FITTING, BLKHD CONNECT | 1 |
| 450 | 0302123 | HEX NIPPLE 4MP-4MP | 1 |
| 451 | 0302125 | PIPE, BUSHING 1/2MPT X 1/4FPT | 1 |
| 452 | 0302534 | FITTING, 45 DEG ELBOW | 2 |
| 453 | 0303538 | FITT, ADAPTER -BRASS 8FP-6MP | 1 |
| 454 | 0303539 | QUICK DISCONNECT 3/8 FPT | 1 |
| 455 | 0303540 | NIPPLE, QUICK DISCONNECT 3/8 | 1 |
| 456 | 0303541 | NIPPLE, QUICK DISCONNECT | 1 |
| 457 | 0303542 | QUICK DISCONNECT - BARB | 1 |
| -- | 945990400 | DUAL CONTROL COMMON DECA | |
| 458 | 0500554 | FLAG, AMERICAN LT | 2 |
| 459 | 0500686 | DECAL - RETRACT CAUTION | 2 |
| 460 | 0500773 | DECAL PLATE-THROTTLE | 2 |

Section II - PARTS LIST (cont'd)

V-100 3-STAGE W/STD STINGER (cont'd)

| ITEM | PART NUMBER | DESCRIPTION | QTY |
|------|-------------|-----------------------------------|-----|
| -- | 945990400 | DUAL CONTROL COMMON DECA (cont'd) | |
| 461 | 0501101 | DECAL-CTRL CABLE SPEED | 2 |
| 462 | 0501157 | TAG-CAUTION WINCH CABLE DAMAGE | 2 |
| 463 | 9033194 | WARNING DECAL MOVING PAR | 2 |
| 464 | 9033196 | WARN.DECAL,DONT WALK UND | 2 |
| 465 | 9033197 | WARNING DECAL-CABLE TENS | 2 |
| 466 | 9033198 | DECAL-SAFETY CHAINS | 2 |
| 467 | 9033212 | NAME PLATE- VULCAN 4 X1 | 4 |
| 468 | 9033575 | DECAL - REMOTE | 2 |
| 469 | 9033576 | DECAL - FREE SPOOL LH WINCH | 2 |
| 470 | 9033577 | DECAL - TENSIONER | 2 |
| 471 | 9033578 | DECAL - FREE SPOOL RH WI | 2 |
| 472 | 9033579 | DECAL - DUAL CONTROL UPP | 1 |
| 473 | 9033580 | DECAL - DUAL CONTROL LOW | 1 |
| 474 | 9033581 | DECAL - NEW VULCAN | 2 |
| 475 | 9033586 | DECAL DUAL CONTROL UPPER | 1 |
| 476 | 9033587 | DECAL DUAL CONTROL LOWER | 1 |
| 477 | 920950009 | DECAL - WARNING FOR STIF | 2 |
| -- | 0908209 | KIT, MUDFLAP -VUL LWRK | |
| 478 | 920400005 | MUD FLAP BRACE PLATE | 2 |
| 479 | 94320052 | MUD FLAP 920-940 RUBBER | 1 |
| -- | 0911148 | VULCAN HD ADDTL BOLT KIT | |
| 480 | 0400431 | 3/4-10 NYLOK HEX GR 8 ZP | 2 |
| 481 | 0400490 | 3/4 FLATWASHER GR 8 | 4 |
| 482 | 9044454 | 3/4-10NC X 7 LG HHCS GRD | 2 |
| -- | 946990200 | V-100 DECALS | |
| 483 | 9033583 | DECAL - V100 | 2 |
| 484 | 9033603 | DECAL WARNING V-100 BOOM | 2 |
| 485 | 9033606 | DECAL WARNING V-90, V-10 | 2 |
| 486 | 9033612 | DECAL WARNING V-100 WINC | 2 |



Miller Industries Towing Equipment Inc.
8503 Hilltop Drive • Ooltewah, Tennessee 37363 • (423) 238-4171
www.millerind.com