



## OWNER'S MANUAL

# MODEL 805

## INSTALLATION, OPERATION, MAINTENANCE & PARTS

**NOTE: MANUAL including SPECIFICATIONS, subject to change without notice  
All ratings specified are based on structural factors only,  
not vehicle capacities or capabilities.**



Miller Industries Towing Equipment Inc.  
8503 Hilltop Drive  
Ooltewah, Tennessee 37363  
Phone (423) 238-7227 i FAX (423) 238-7237

FORM NO. 0501191  
05 / 02  
PRICE \$25.00

## LIMITED WARRANTY

MILLER INDUSTRIES TOWING EQUIPMENT INC., hereinafter referred to as MILLER, warrants to the original purchaser that each new MILLER wrecker or other MILLER products will be free from defects in material and workmanship for a period of twelve (12) months from date placed in service, but in no event shall such warranty period exceed twenty-four (24) months from date of manufacture by MILLER. The purchaser must promptly notify MILLER in writing of any failure in material or workmanship. In no event shall MILLER accept such notification later than twenty-four (24) months from date of delivery or twelve (12) months from date placed in service, whichever is earlier.

MILLER's obligation under this warranty, statutory or otherwise, is limited to the repair or replacement at the MILLER factory, or at a point designated by MILLER, of such part or parts as shall appear upon inspection by MILLER to be defective in material or workmanship. New or remanufactured parts will be used for any replacement at MILLER's option. This warranty is not transferable. This warranty does not obligate MILLER to bear the cost of labor or transportation charges in connection with the repair or replacement of any parts found to be defective, nor shall it apply to a product upon which repairs or alterations have been made unless authorized by MILLER.

EXCEPT AS EXPRESSLY SET FORTH IN THIS WARRANTY, MILLER MAKES NO OTHER WARRANTY, EXPRESS OR IMPLIED, AND HEREBY DISCLAIMS ALL OTHER WARRANTIES INCLUDING, BUT NOT LIMITED TO, THE IMPLIED WARRANTIES OF MERCHANTABILITY AND FITNESS FOR A PARTICULAR PURPOSE. MILLER shall in no event be liable for claimed downtime, claimed loss of profits or goodwill, or any other special, incidental, indirect, or consequential damages concerning or relating to any product or parts, whether based on negligence, strict liability, breach of contract, breach of warranty, misrepresentation or any other legal theory, regardless of whether the loss resulted from any general or particular requirement which MILLER knew or had reason to know about at the time of sale.

MILLER MAKES NO WARRANTY, EXPRESS OR IMPLIED, AS TO THE FINISHED PRODUCTS MANUFACTURED OR SUPPLIED BY ANOTHER MANUFACTURER AND SUPPLIED BY MILLER TO PURCHASER, including, but not limited to, any vehicle to which a MILLER product may be affixed or any accessories or wire rope, and MILLER EXPRESSLY DISCLAIMS ANY IMPLIED WARRANTIES OF MERCHANTABILITY OR FITNESS FOR A PARTICULAR PURPOSE AS TO SUCH EQUIPMENT OR PRODUCTS. This language shall in no way affect or diminish the rights of the purchaser to rely on such warranties as are extended by such manufacturers or suppliers. MILLER shall, to the extent permitted under applicable law, pass on to the purchaser such manufacturer's or seller's warranty.

MILLER, whose policy is one of continuous improvement, reserves the right to improve its products through changes in design or materials as it may deem desirable without being obligated to incorporate such changes in products previously sold. This warranty is not intended to cover or include the following items, which are set forth by way of example and not limitation:

- A. Normal deterioration of trim, paint, lettering, and appearance items due to wear or exposure to weather, road conditions, road treatments, etc.
- B. Any damage or defect due to accident, misuse, abuse, improper or unauthorized repairs, failure to provide reasonable and necessary maintenance, or uses for which the equipment was not designed or intended.
- C. Alterations or modifications that affect performance, operation or reliability.
- D. Normal maintenance parts including, but not limited to, wear pads, bushings, wire rope, mud flaps, fenderettes, light bulbs, hydraulic oil, filters, and tow sling belts.

**IT IS EXPRESSLY UNDERSTOOD THAT MILLER MAKES NO IMPLIED WARRANTY THAT MILLER PRODUCTS SHALL BE FIT FOR THE PURPOSE OF LIFTING OR MOVING PEOPLE OR FOR ANY OTHER IMPROPER USE.**



Miller Industries Towing Equipment Inc.  
8503 Hilltop Drive  
Ooltewah, Tennessee 37363

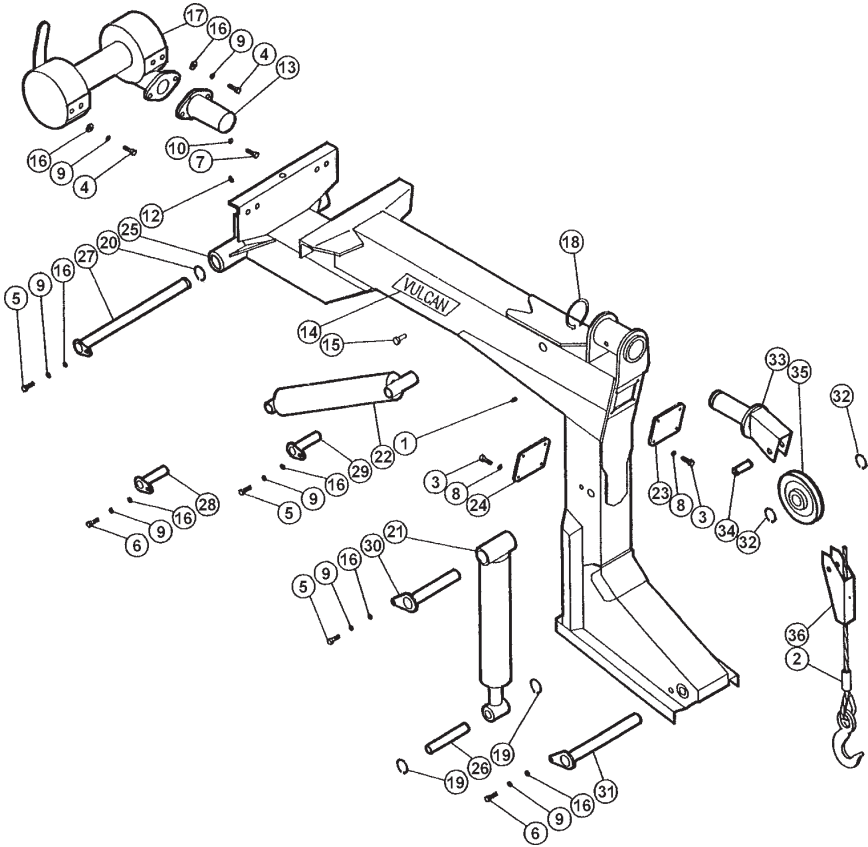
Telephone (423) 238-4171

**SERIAL NUMBER**

## REPLACEMENT PARTS

# REPLACEMENT PARTS (cont'd)

## BOOM ASSEMBLY

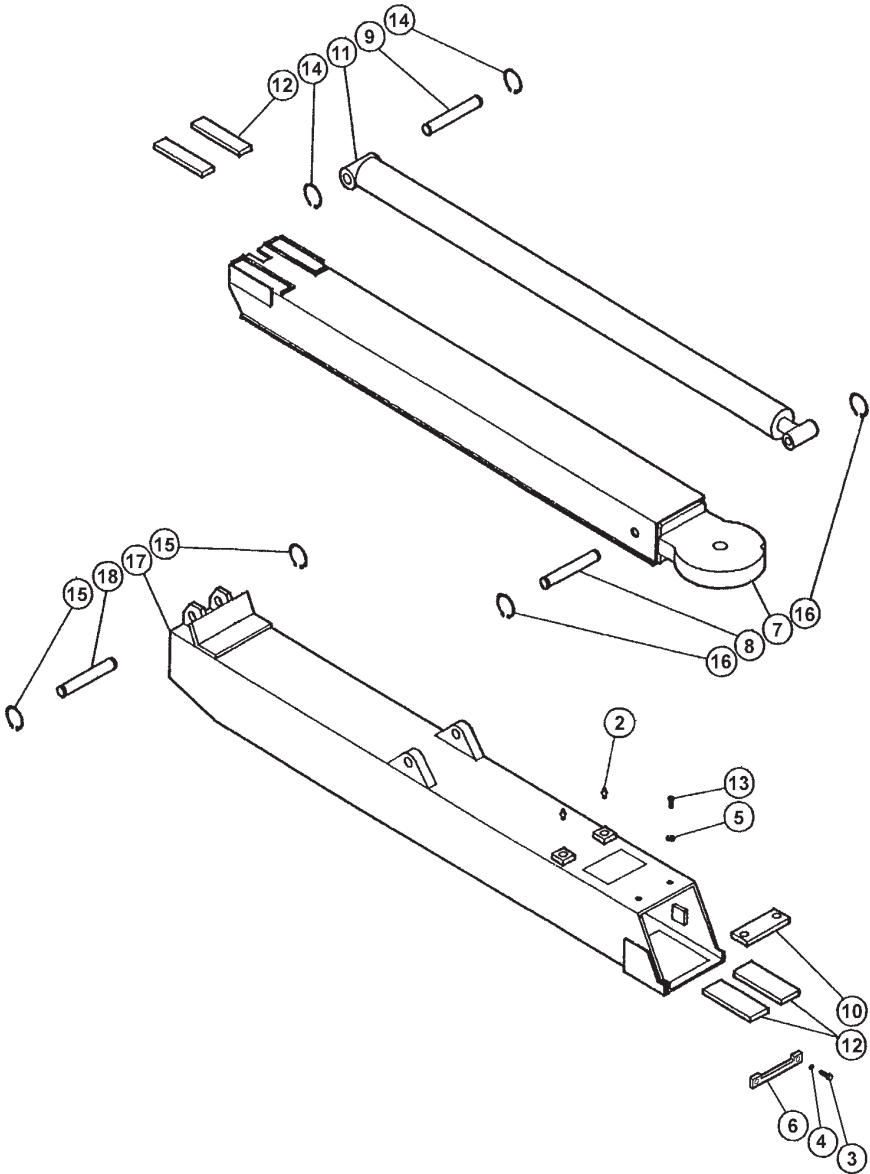


# REPLACEMENT PARTS (cont'd)

## BOOM ASSEMBLY

ID NO	PART NO	DESCRIPTION	QTY
--	805040000	BOOM ASSEMBLY	
1	0300113	GREASE FITTING, 1/4"-28 STRAIGHT	2
2	0300219	WIRE ROPE, 3/8" X 100'	1
3	0400066	1/4"-20 X 3/4" HHCS GR5 ZP	8
4	0400121	3/8"-16 X 3/4" HHCS GR5 ZP	8
5	0400122	3/8"-16 X 1-1/4" HHCS GR5 ZP	3
6	0400126	3/8"-16 X 1" HHCS GR5 ZP	2
7	0400177	1/2"-13 X 1-1/4" HHCS GR5 ZP	2
8	0400452	1/4" HELICAL LOCKWASHER ZP	8
9	0400482	3/8" HELICAL LOCKWASHER ZP	12
10	0400491	1/2" HELICAL LOCKWASHER ZP (HD0695)	2
11	0906029	WINCH FREESPOOL ASSEMBLY (N.S.)	1
12	9012536	GREASE NIPPLE, 1/8" NPT X90	1
13	9016734	MOTOR, 4 TON ROSS MK0406	1
14	9033208	NAMEPLATE, VULCAN	1
15	9044456	#10 DRIVE SCREW	8
16	9045255	3/8" BS FLATWASHER ZP	12
17	9048136	4 TON HYD WINCH RAMSEY L	1
18	9055275	SNAP RING EXT. 2-3/4" 5160-275	1
19	9056098	1" NOM HEAVY DUTY EXT RET RING	2
20	9056150	1-1/2" HEAVY DUTY EXT RET RING	1
21	804360000	TILT CYLINDER	1
22	804370000	LIFT CYLINDER	1
23	805040005	BOOM REAR COVER PLATE	1
24	805040007	BOOM FRONT COVER PLATE	1
25	805110000	SINGLE WINCH BOOM	1
26	805350001	PIN LOWER TILT CYL	1
27	805350500	SHAFT WELDMENT	1
28	805351000	PIN WELDMENT, LOWER LIFT CYL	1
29	805351500	PIN WELDMENT, UPPER LIFT CYL	1
30	805352500	PIN WELDMENT, UPPER TILT CYL	1
31	805353000	PIN WELDMENT, STINGER PIVOT	1
--	805180000	SHEAVE HOUSING ASSEMBLY	
32	9056098	1" NOM HEAVY DUTY EXT RET RING	2
33	804181500	SHEAVE HOUSING CASTING	1
34	805180001	SHEAVE SHAFT	1
35	805180002	SHEAVE CASTING (WAS 9050504)	1
36	852060100	CABLE GUIDE CASTING	1

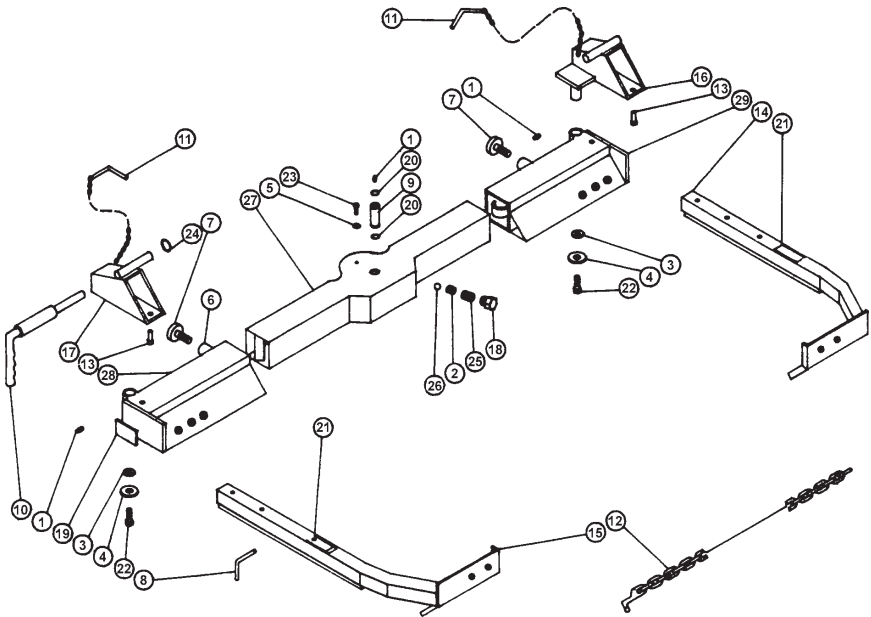
# REPLACEMENT PARTS (cont'd) STINGER ASSEMBLY



## REPLACEMENT PARTS (cont'd) STINGER ASSEMBLY

ID NO	PART NO	DESCRIPTION	QTY
--	804210000	STINGER ASSEMBLY	
1	DE1381	1/2 WASHER SAE 17/32 ID	2
2	0300113	GREASE FITTING, 1/4"-28 STRAIGHT	1
3	0400141	3/8"-16 X 7/8" HHCS GR5 ZP	2
4	0400482	3/8" HELICAL LOCKWASHER ZP	2
5	0400491	1/2" HELICAL LOCKWASHER ZP (HD0695)	2
6	8211301	WEAR PAD RETAINER PLATE	1
7	8300400	STINGER INNER BOOM WELDMENT	1
8	8600208	ROD PIN (EXT CYL.)	1
9	8700102	BASE PIN STINGER EXT CYL	1
10	8700103	SPACER BAR	1
11	9018279	STINGER EXT CYL	1
12	9031158	5/8 X 1-1/2 X 6 UMHW WEAR BAR	4
13	9043969	1/2" NC X 7/8" HHCS PL GR8	2
14	9056087	EXT. RETAINING RING 7/8"	2
15	9056098	1" NOM HEAVY DUTY EXT RET RING	2
16	9056125	1-1/4" NOM HVY DUTY RET RING	2
17	804160000	FOLDING BOOM WELDMENT	1
18	805350001	PIN LOWER TILT CYL	1
19	880060001	SPACER BAR	1

# REPLACEMENT PARTS (cont'd) CROSSBEAM ASSEMBLY WITH WHEEL RETAINERS





# REPLACEMENT PARTS (cont'd)

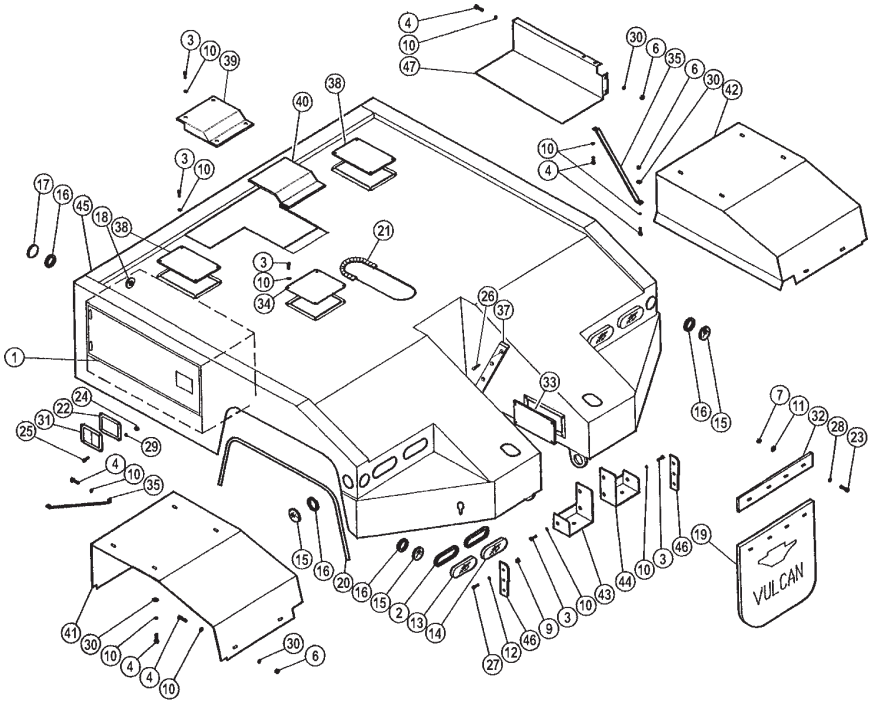
## CROSSBEAM ASSEMBLY WITH WHEEL RETAINERS

ID NO	PART NO	DESCRIPTION	QTY
1	0300113	GREASE NIPPLE	3
2	0400480	3/8" FLAT WASHER	4
3	0400505	5/8" FLAT WASHER	2
4	8600404	WASHER, 11/16" ID X 2" OD	2
20	8600406	1" OD X 3/8" ID FLAT WASHER	1
27	8601608	SLIDE LOCK SOCKET	2
7	8601900	SLIDE LOCK HANDLE KNOB ASSEMBLY	2
29	8602001	LOCK PIN	2
3	8609001	CROSSBAR PIVOT PIN	1
8	8621400	STOP PIN ASSEMBLY	2
26	8621900	LOCK PIN W/CHAIN	2
5	8622850	SAFETY CHAIN, 10 FT.	2
9	8700109	SCOOP LOCK PIN	2
11	8700180	WHEEL RETAINER, RH	1
12	8700190	WHEEL RETAINER, LH	1
14	8701500	RH SCOOP BRACKET	1
13	8701600	LH SCOOP BRACKET	1
15	9012944	PIPE PLUG	1
4	9025068	REFLECTOR	2
24	9030214	O-RING	2
28	9033198	SAFETY CHAIN DECAL	2
16	9043950	5/8" NC X 1-1/2" HEX HD CAP SCREW	2
17	9043956	3/8" NC X 3/4" BUTTON HD ALLEN SCR	1
25	9046310	ROLL PIN HEAVY DUTY RETAINER RING	2
21	9047057	DIE SPRING	1
22	9052013	1" DIA. BALL BEARING	1
10	880360500	STINGER CROSSBAR	1
2	880410000	WHEEL GRID, LH	1
1	880417000	WHEEL GRID, RH	1

# REPLACEMENT PARTS (cont'd)

## BODY ASSEMBLY

(Continued on Page VI-10)



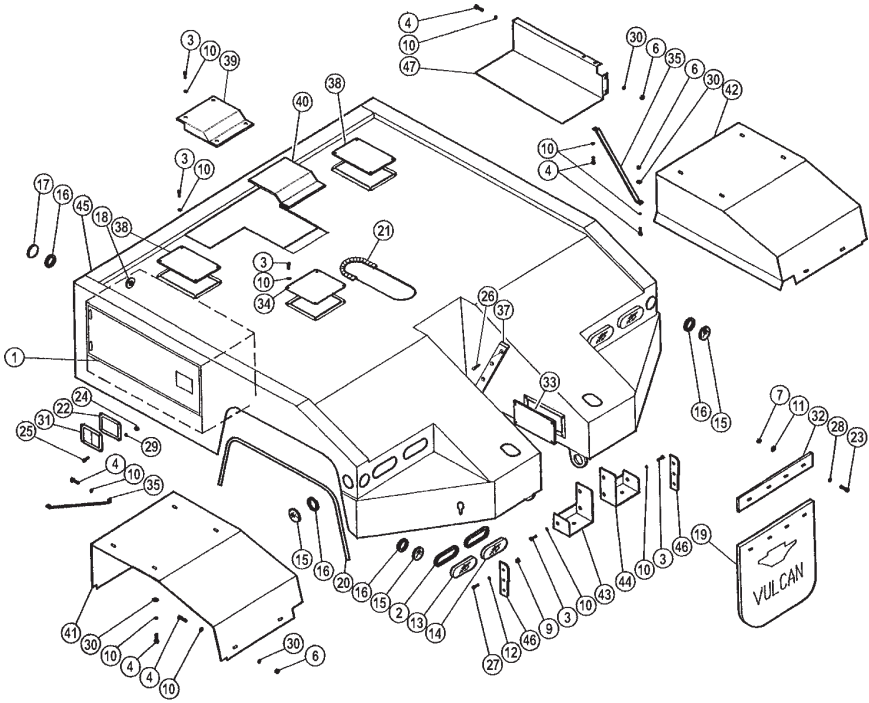
**REPLACEMENT PARTS (cont'd)**  
**BODY ASSEMBLY**  
**(Continued on Page VI-11)**

ID NO	PART NO	DESCRIPTION	QTY
--	0906048	BODY ASSEMBLY, 90" WIDE	--
1	0300844	3/4" X 1/8" CLOSED CELL SPNG W/ADHBK	8.1 FT
2	0303128	GROMMET, TAIL LIGHT	4
3	0400059	1/4"-20 X 5/8" HHCS GR5 ZP	8
4	0400066	1/4"-20 X 3/4" HHCS GR5 ZP	36
5	0400181	1/2"-13 X 1-1/2" HHCS GR5 ZP	10
6	0400367	1/4"-20 NYLOK HEX NUT ZP	4
7	0400381	5/16"-18 HEX NUT ZP	8
8	0400382	5/16"-18 NYLOK HEX NUT ZP	16
9	0400408	1/2"-13 NYLOK HEX NUT ZP	10
10	0400452	1/4" HELICAL LOCKWASHER ZP	48
11	0400465	5/16" BS FLAT WASHER	8
12	0400492	1/2" FLAT WASHER ZP	20
13	9025069	STOP/TAIL LIGHT	2
14	9025070	BACK UP LIGHT	2
15	9025116	MARKER LIGHT, RED 2-1/2"	4
16	9025117	GROMMET, 2-1/2"	6
17	9025119	MARKER LIGHT, AMBER 2-1/2"	2
18	9032053	RUBBER GROMMET	1
19	9032092	MUD FLAP	2
20	9032096	DECORATIVE TRIM	8.5 FT
21	9032114	RUBBER TRIM	1.1 FT
22	9032155	GASKET, PADDLE HANDLE	2
23	9041104	5/16" NC X 7/8" HHCS ZP GR8	8
24	9043399	#8-32 NYLOCK HEX NUT	8

# REPLACEMENT PARTS (cont'd)

## BODY ASSEMBLY

(Continued from Page VI-8)

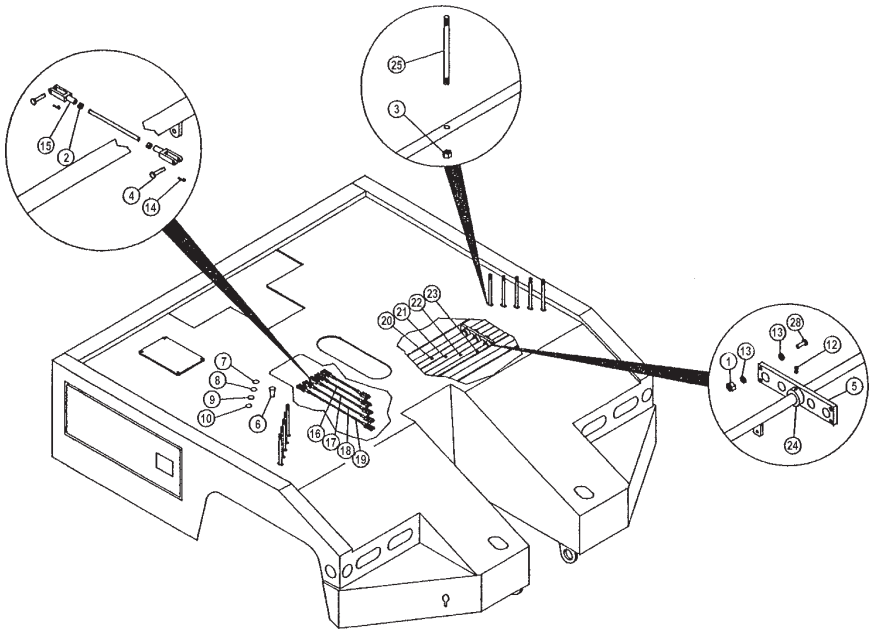


**REPLACEMENT PARTS (cont'd)**  
**BODY ASSEMBLY**  
**(Continued from Page VI-9)**

ID NO	PART NO	DESCRIPTION	QTY
--	0906048	BODY ASSEMBLY, 90" WIDE	--
25	9043951	#8-32 X 1" ONE WAY SCREW	8
26	9043973	5/16"-18 X 1 1/2" FL HD SOC	8
27	9044405	1/2" NC X 1 3/4" HHCS ZP GR8	4
28	9045056	5/16" BS LOCKWASHER	8
29	9045251	6 FLAT WASHER ZP	8
30	9045253	1/4" BS FLAT WASHER ZP	16
31	9048147	PADDLE HANDLE	2
32	804500001	MUD FLAP PLATE	2
33	805040001	ACCESS COVER PLATE - REAR BODY	2
34	805040002	ACCESS COVER PLATE (DCV)	1
35	805040008	SUPPORT STRAP, LH INNER FENDER	2
36	805040010	SUPPORT CHANNEL	2
37	805040011	VERTICAL BOOM GUIDE PAD	2
38	805040012	ACCESS COVER PLATE HYD TANK	2
39	805040100	LH COVER PLATE WELDMENT, BOOM PIVOT	1
40	805040200	RH COVER PLATE WELDMENT, BOOM PIVOT	1
41	805042000	LH INNER FENDER WELDMENT	1
42	805049000	RH INNER FENDER WELDMENT	1
43	805050500	CHAIN POCKET, LH	1
44	805057500	CHAIN POCKET, RH	1
45	805470000	90W BODY WELDMENT, 2 BOX	1
46	880090002	REAR CHASSIS MOUNTING PLATE	2
47	880090008	COVER PLATE (DCV)	1

# REPLACEMENT PARTS (cont'd)

## ROD CONTROLS



## REPLACEMENT PARTS (cont'd)

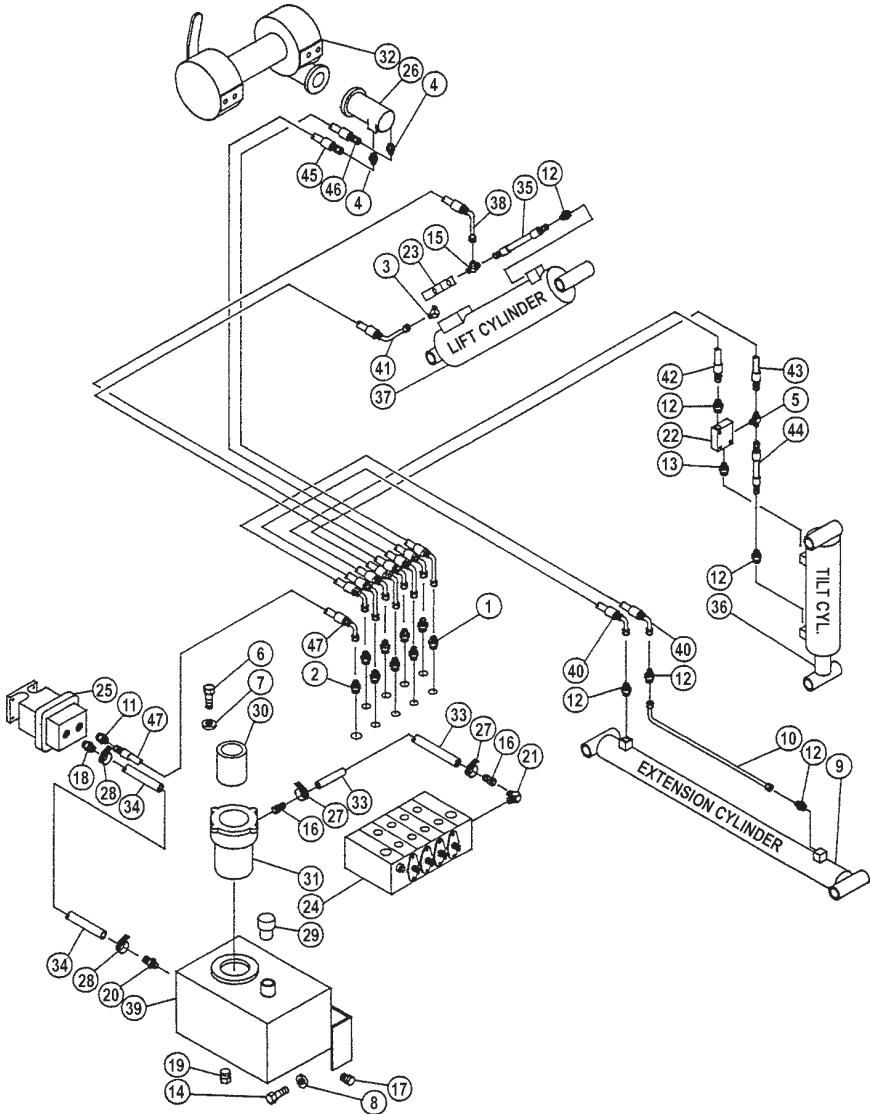
### ROD CONTROLS

ID NO	PART NO	DESCRIPTION	QTY
1	0400382	5/16"-18 NYLOK HEX NUT ZP	8
2	0400383	5/16"-24 HEX NUT ZP	8
3	0400407	1/2"-13 HEX NUT ZP	12
4	0400532	5/16" X 1" CLEVIS PIN ZP	8
5	9031240	CONTROL ROD MOUNTING PLATE	2
6	9032106	CONTROL KNOB	10
7	9033150	DECAL, WINCH	2
8	9033152	DECAL, BOOM UP/DOWN	2
9	9033153	DECAL, STINGER TILT	2
10	9033154	DECAL, STINGER IN/OUT	2
11	9041108	5/16" NC X 1-3/4" HHCS GR8 ZP	8
12	9043939	5/16" NC X 3/8" NYL SELF LK SCREW	8
13	9045353	5/16" BS SAE FLAT WASHER ZP	16
14	9046009	3/32" X 3/4" COTTER PIN	8
15	9048006	YOKE, 5/16" X 2-1/4" PLATED	8
16	804400032	TIE ROD, WINCH	1
17	804400033	TIE ROD, BOOM LIFT	1
18	804400034	TIE ROD, STINGER TILT	1
19	804400035	TIE ROD, STINGER EXTEND	1
20	805400005	CONTROL ROD, WINCH	1
21	805400100	CONTROL ROD, BOOM LIFT	1
22	805400200	CONTROL ROD, STINGER TILT	1
23	805400300	CONTROL ROD, STINGER EXTEND	1
24	880460005	COLLAR	8
25	880460008	CONTROL HANDLE	8

# REPLACEMENT PARTS (cont'd)

## HYDRAULICS

(Continued on Page VI-16)





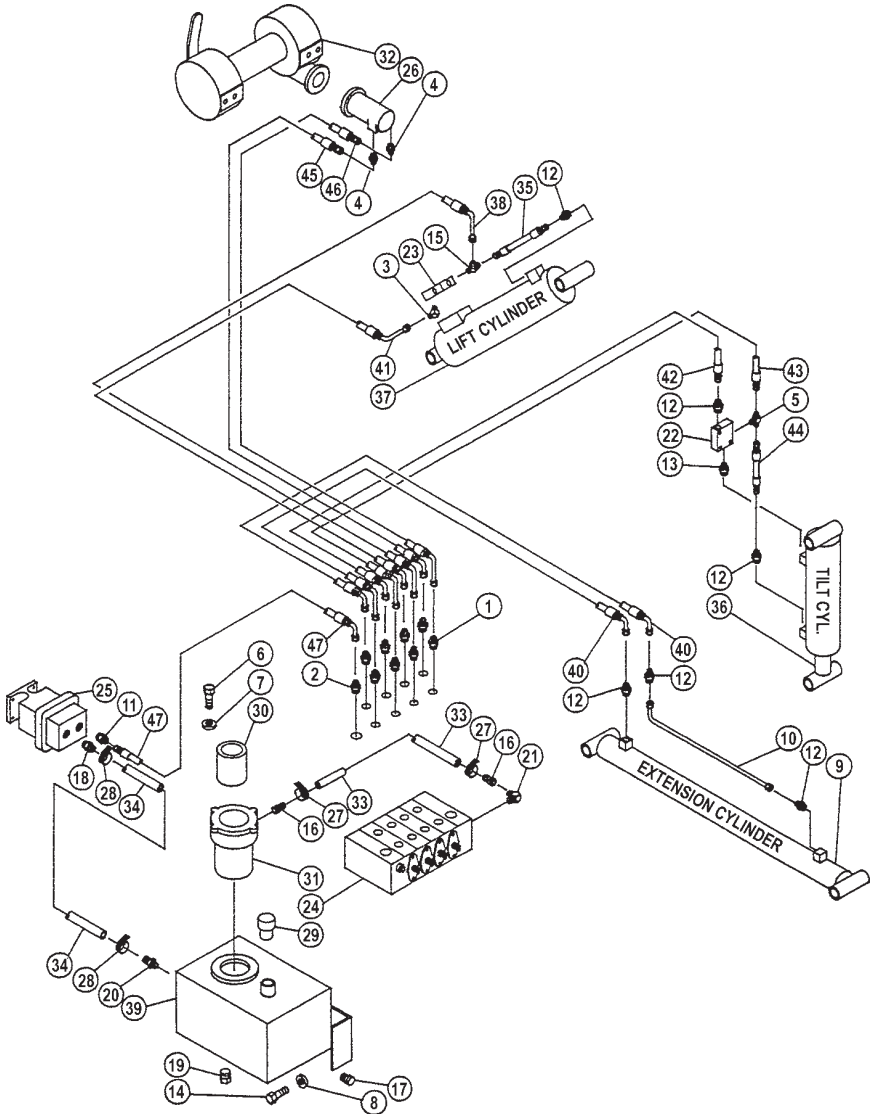
**REPLACEMENT PARTS (cont'd)**  
**HYDRAULICS**  
**(Continued on Page VI-17)**

ID NO	PART NO	DESCRIPTION	QTY
1	0300044	FITTING HYD CONNECTOR, 6MJ-8MB	8
2	0301376	CONNECTOR, 8MJ-10MB	1
3	0301620	FITTING HYD, 6MJ-6MB90	1
4	0301778	STR MALE ADAPTER, 6MJ-10MB	2
5	0301855	FITTING BRANCH TEE, 6MJ-6MJ-6MP	1
6	0400109	5/16"-18 X 1" HHCS GR5 ZP	2
7	0400464	5/16" HELICAL LOCKWASHER	2
8	0400491	1/2" HELICAL LOCKWASHER ZP	4
9	9018279	EXTENSION CYLINDER	1
10	8301301	HYD TUBING	1
11	8606811	HOSE BARB, 1" NPT	2
12	9011039	FITTING, MALE CONNECTOR, 6MJ-4MP	4
13	9011054	SWIVEL ADAPTER, 1/4" NPT(M) X 6J(F)	1
14	9041402	1/2" NC X 1-1/4" HHCS PL GR8	4
15	9012594	FITTING HYD RUN TEE, 6MJ	2
16	9012817	3/4" NPT X 3/4" BRASS HOSE BARB	1
17	9012839	1" PIPE PLUG	1
18	9012857	HEX BUSHING, 1" TO 3/4"	1
19	9012913	MAGNETIC PIPE PLUG, 3/4" NPT	1
20	9012927	1" NPT X 1-1/4" HOSE BARB	2
21	9012981	12 SAE X 3/4" NPT SWIVEL 90 ELBOW	1
22	9015714	HOLDING VALVE	1
23	9015739	HOLDING VALVE	1
24	9015970	CONTROL VALVE, VDP11DDDD102	1

# REPLACEMENT PARTS (cont'd)

## HYDRAULICS

(Continued from Page VI-14)

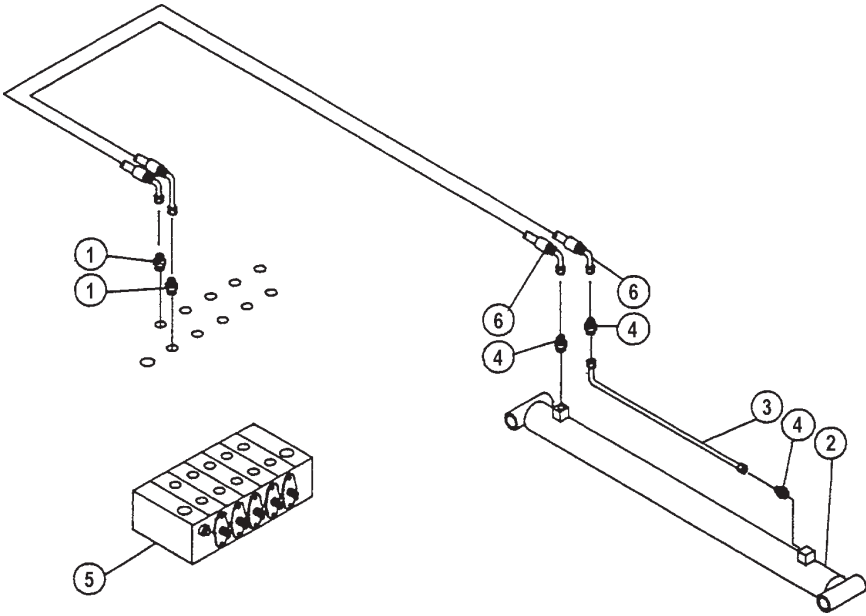


**REPLACEMENT PARTS (cont'd)**  
**HYDRAULICS**  
**(Continued from Page VI-15)**

ID NO	PART NO	DESCRIPTION	QTY
25	9016664	HYDRAULIC PUMP	1
26	9016706	HYDRAULIC MOTOR	1
27	9018016	HOSE CLAMP, 1-1/4"	2
28	9018092	HOSE CLAMP, #24	2
29	9018113	BREATHER CAP, 3/4" NPT	1
30	9018309	FILTER ELEMENT	1
31	9018399	FILTER ASSEMBLY	1
32	9048137	WINCH, RH (4 TON)	1
33	804290013	HOSE ASSEMBLY, 3/4" X 53"	1
34	804290016	HOSE ASSEMBLY, 1-1/4" X 90"	1
35	804345001	HOSE ASSEMBLY, 15-3/4"	1
36	804360000	TILT CYLINDER	1
37	804370000	LIFT CYLINDER	1
38	804395002	HOSE ASSEMBLY	1
39	805031500	HYDRAULIC TANK ASSEMBLY	1
40	805290001	HOSE ASSEMBLY	2
41	805290003	HOSE ASSEMBLY, 39"	1
42	805290006	HOSE ASSEMBLY, 107"	1
43	805290007	HOSE ASSEMBLY, 109"	1
44	805290008	HOSE ASSEMBLY	1
45	880010009	HOSE ASSEMBLY, 75"	1
46	880010010	HOSE ASSEMBLY, 75"	1
47	880010023	HOSE ASSEMBLY	1

# REPLACEMENT PARTS (cont'd)

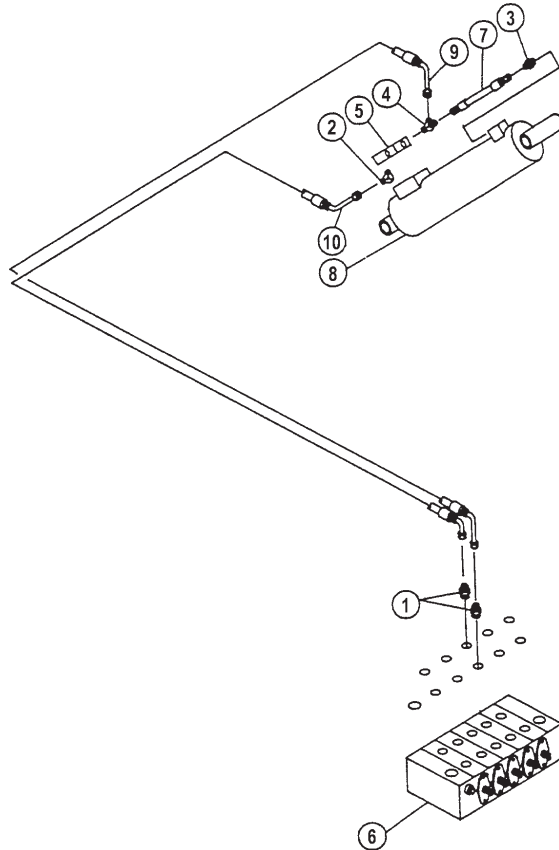
## EXTEND CYLINDER HYDRAULICS



ID NO	PART NO	DESCRIPTION	QTY
1	0300044	FITTING HYD CONNECTOR, 6MJ-8MB	2
2	9018279	EXTENSION CYLINDER	1
3	8301301	HYD TUBING	1
4	9011039	FITTING, MALE CONNECTOR, 6MJ-4MP	3
5	9015970	CONTROL VALVE, VDP11DDDD102	1
6	805290001	HOSE ASSEMBLY	2

# REPLACEMENT PARTS (cont'd)

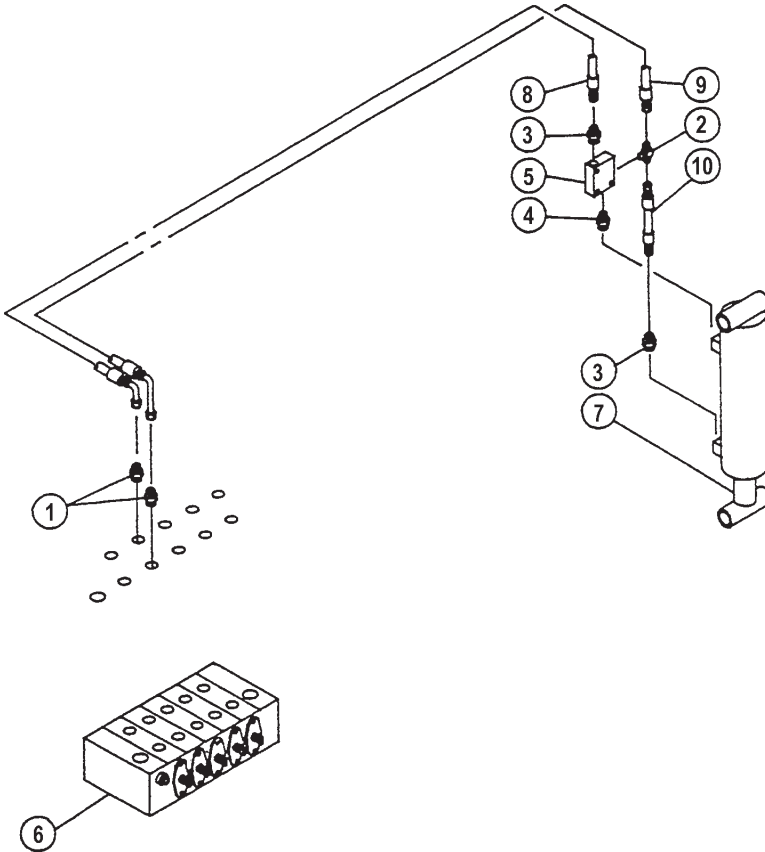
## LIFT CYLINDER HYDRAULICS



ID NO	PART NO	DESCRIPTION	QTY
1	0300044	FITTING HYD CONNECTOR, 6MJ-8MB	2
2	0301620	FITTING HYD, 6MJ-6MB90	1
3	9011039	FITTING, MALE CONNECTOR, 6MJ-4MP	1
4	9012594	FITTING HYD RUN TEE, 6MJ	2
5	9015739	HOLDING VALVE	1
6	9015970	CONTROL VALVE, VDP11DDDD102	1
7	804345001	HOSE ASSEMBLY, 15-3/4"	1
8	804370000	LIFT CYLINDER	1
9	804395002	HOSE ASSEMBLY	1
10	805290003	HOSE ASSEMBLY, 39"	1

# REPLACEMENT PARTS (cont'd)

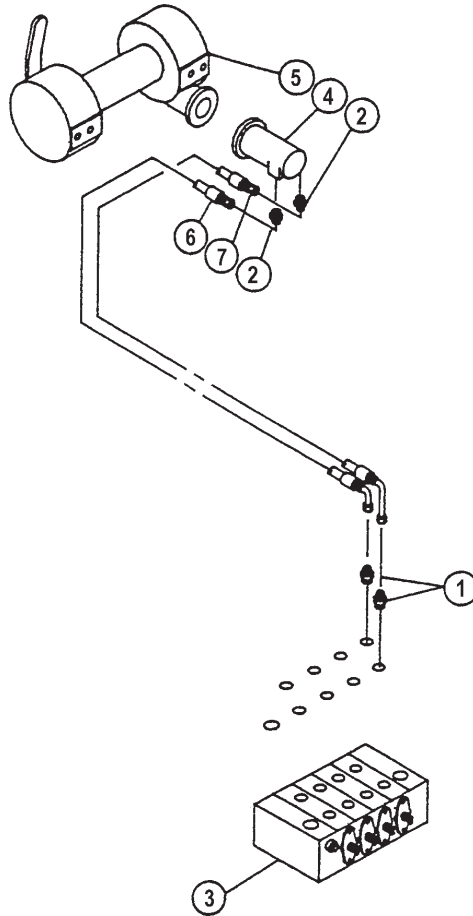
## TILT CYLINDER HYDRAULICS



ID NO	PART NO	DESCRIPTION	QTY
1	0300044	FITTING HYD CONNECTOR, 6MJ-8MB	2
2	0301855	FITTING BRANCH TEE, 6MJ-6MJ-6MP	1
3	9011039	FITTING, MALE CONNECTOR, 6MJ-4MP	2
4	9011054	SWIVEL ADAPTER, 1/4" NPT(M) X 6J(F)	1
5	9015714	HOLDING VALVE	1
6	9015970	CONTROL VALVE, VDP11DDDD102	1
7	804360000	TILT CYLINDER	1
8	805290006	HOSE ASSEMBLY, 107"	1
9	805290007	HOSE ASSEMBLY, 109"	1
10	805290008	HOSE ASSEMBLY	1

# REPLACEMENT PARTS (cont'd)

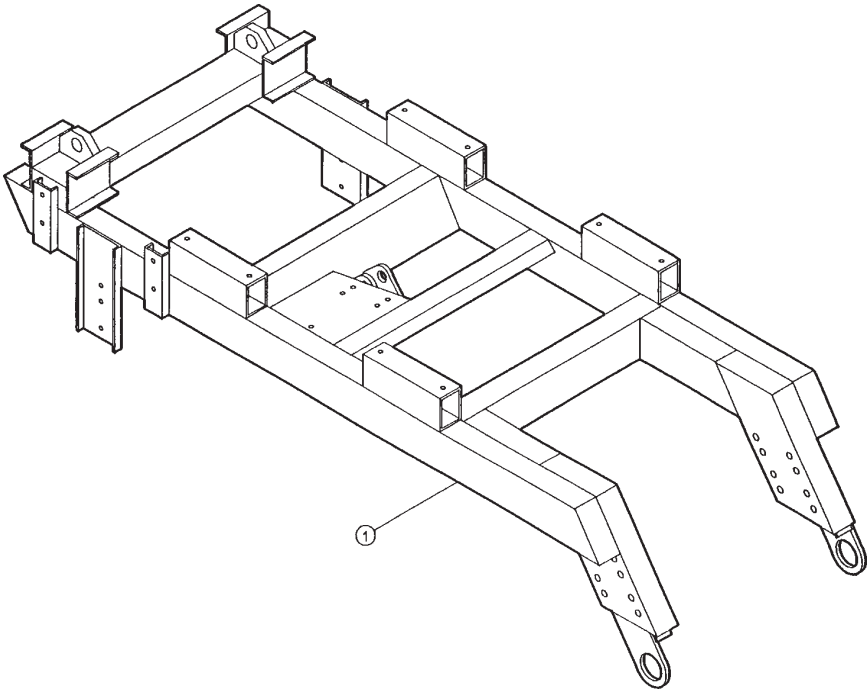
## WINCH HYDRAULICS



ID NO	PART NO	DESCRIPTION	QTY
1	0300044	FITTING HYD CONNECTOR, 6MJ-8MB	2
2	0301778	STR MALE ADAPTER, 6MJ-10MB	2
3	9015970	CONTROL VALVE, VDP11DDDD102	1
4	9016706	HYDRAULIC MOTOR	1
5	9048137	WINCH, RH (4 TON)	1
6	880010009	HOSE ASSEMBLY, 75"	1
7	880010010	HOSE ASSEMBLY, 75"	1

# REPLACEMENT PARTS (cont'd)

## SUBFRAME

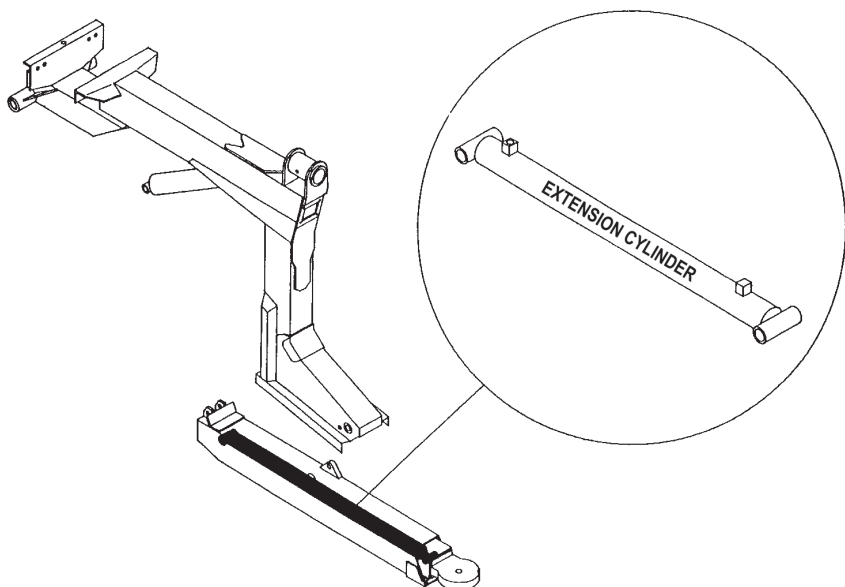


ID NO	PART NO	DESCRIPTION	QTY
1	805050000	SUBFRAME	1



# REPLACEMENT PARTS (cont'd)

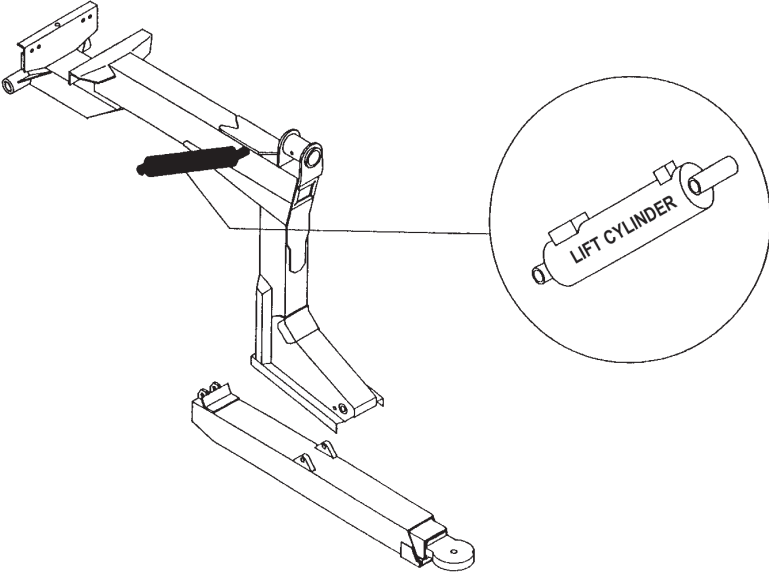
## EXTEND CYLINDER



ID NO	PART NO	DESCRIPTION	QTY
1	9018279	EXTEND CYLINDER	1

# REPLACEMENT PARTS (cont'd)

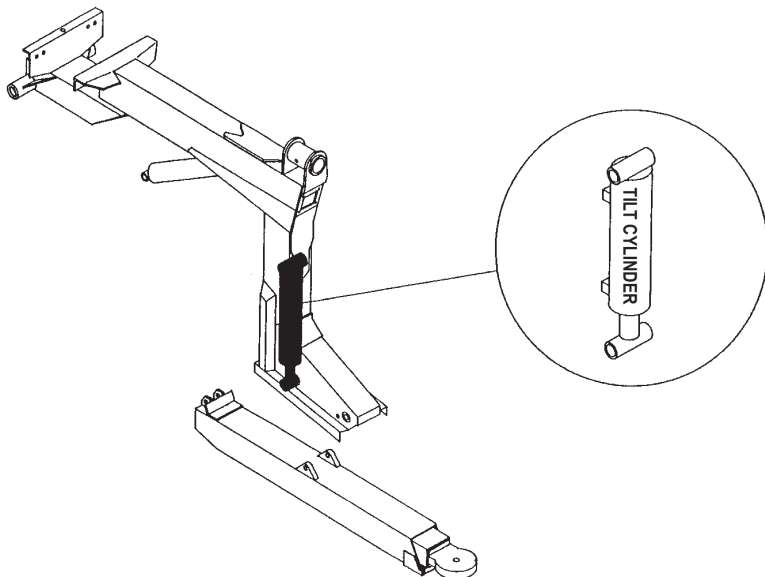
## LIFT CYLINDER



ID NO	PART NO	DESCRIPTION	QTY
1	804370000	LIFT CYLINDER	1

# REPLACEMENT PARTS (cont'd)

## TILT CYLINDER



ID NO	PART NO	DESCRIPTION	QTY
1	804360000	TILT CYLINDER	1







Miller Industries Towing Equipment Inc.  
8503 Hilltop Drive • Ooltewah, Tennessee 37363 • (423) 238-7227  
[www.millerind.com](http://www.millerind.com)