



## OWNER'S MANUAL

# NV-50

## PARTS

**NOTE: MANUAL including SPECIFICATIONS, subject to change without notice.  
All ratings specified are based on structural factors only,  
not vehicle capacities or capabilities.**



Miller Industries Towing Equipment Inc.  
8503 Hilltop Drive  
Ooltewah, Tennessee 37363  
Phone (423) 238-4171 • FAX (423) 238-5371

FORM NO. 0501780  
10 / 2011  
PRICE \$25.00

## LIMITED WARRANTY

MILLER INDUSTRIES TOWING EQUIPMENT INC., hereinafter referred to as MILLER, warrants to the original purchaser that each new MILLER wrecker or other MILLER products will be free from defects in material and workmanship for a period of twelve (12) months from date placed in service, but in no event shall such warranty period exceed twenty-four (24) months from date of manufacture by MILLER. The purchaser must promptly notify MILLER in writing of any failure in material or workmanship. In no event shall MILLER accept such notification later than twenty-four (24) months from date of delivery or twelve (12) months from date placed in service, whichever is earlier.

MILLER's obligation under this warranty, statutory or otherwise, is limited to the repair or replacement at the MILLER factory, or at a point designated by MILLER, of such part or parts as shall appear upon inspection by MILLER to be defective in material or workmanship. New or remanufactured parts will be used for any replacement at MILLER's option. This warranty is not transferable. This warranty does not obligate MILLER to bear the cost of labor or transportation charges in connection with the repair or replacement of any parts found to be defective, nor shall it apply to a product upon which repairs or alterations have been made unless authorized by MILLER.

EXCEPT AS EXPRESSLY SET FORTH IN THIS WARRANTY, MILLER MAKES NO OTHER WARRANTY, EXPRESS OR IMPLIED, AND HEREBY DISCLAIMS ALL OTHER WARRANTIES INCLUDING, BUT NOT LIMITED TO, THE IMPLIED WARRANTIES OF MERCHANTABILITY AND FITNESS FOR A PARTICULAR PURPOSE. MILLER shall in no event be liable for claimed downtime, claimed loss of profits or goodwill, or any other special, incidental, indirect, or consequential damages concerning or relating to any product or parts, whether based on negligence, strict liability, breach of contract, breach of warranty, misrepresentation or any other legal theory, regardless of whether the loss resulted from any general or particular requirement which MILLER knew or had reason to know about at the time of sale.

MILLER MAKES NO WARRANTY, EXPRESS OR IMPLIED, AS TO THE FINISHED PRODUCTS MANUFACTURED OR SUPPLIED BY ANOTHER MANUFACTURER AND SUPPLIED BY MILLER TO PURCHASER, including, but not limited to, any vehicle to which a MILLER product may be affixed or any accessories or wire rope, and MILLER EXPRESSLY DISCLAIMS ANY IMPLIED WARRANTIES OF MERCHANTABILITY OR FITNESS FOR A PARTICULAR PURPOSE AS TO SUCH EQUIPMENT OR PRODUCTS. This language shall in no way affect or diminish the rights of the purchaser to rely on such warranties as are extended by such manufacturers or suppliers. MILLER shall, to the extent permitted under applicable law, pass on to the purchaser such manufacturer's or seller's warranty.

MILLER, whose policy is one of continuous improvement, reserves the right to improve its products through changes in design or materials as it may deem desirable without being obligated to incorporate such changes in products previously sold. This warranty is not intended to cover or include the following items, which are set forth by way of example and not limitation:

- A. Normal deterioration of trim, paint, lettering, and appearance items due to wear or exposure to weather, road conditions, road treatments, etc.
- B. Any damage or defect due to accident, misuse, abuse, improper or unauthorized repairs, failure to provide reasonable and necessary maintenance, or uses for which the equipment was not designed or intended.
- C. Alterations or modifications that affect performance, operation or reliability.
- D. Normal maintenance parts including, but not limited to, wear pads, bushings, wire rope, mud flaps, fenderettes, light bulbs, hydraulic oil, filters, and tow sling belts.

**IT IS EXPRESSLY UNDERSTOOD THAT MILLER MAKES NO IMPLIED WARRANTY THAT MILLER PRODUCTS SHALL BE FIT FOR THE PURPOSE OF LIFTING OR MOVING PEOPLE OR FOR ANY OTHER IMPROPER USE.**



Miller Industries Towing Equipment Inc.  
8503 Hilltop Drive  
Ooltewah, Tennessee 37363  
Telephone (423) 238-4171

**SERIAL NUMBER**

## **OWNER, USER AND OPERATOR:**

We appreciate your choice of our towing and recovery unit for your application. Our number one priority is user safety which is best achieved by our joint efforts. We feel that you can make a major contribution to safety if you, as the equipment owner and operator:

1. **Comply with Federal, State, and Local Regulations.**
2. **Read, Understand, and Follow the Instructions in this Manual.**
3. **Use Good, Safe Work Practices in a Common Sense Way.**
4. **Only have Authorized and Trained Personnel performing maintenance on the Towing and Recovery Unit.**

# TABLE OF CONTENTS

It is assumed by the manufacturer that the Owner/Operator has a thorough knowledge of the accepted and lawful retrieval and towing methods as dictated by his city, county or state. The manufacturer rejects any liability claim that may result from the incorrect or unlawful application of its equipment.

## Section I - PARTS

SUBFRAME ASSEMBLY .....	I-2 & I-3
LH BODY ASSEMBLY .....	I-4 & I-5
RH BODY ASSEMBLY .....	I-6 & I-7
OUTER BOOM ASSEMBLY .....	I-8 & I-9
INNER BOOM ASSEMBLY .....	I-10 & I-11
WINCH ASSEMBLY .....	I-12 & I-13
UNDERLIFT ASSEMBLY .....	I-14 & I-15
CROSSBAR ASSEMBLY .....	I-16 & I-17
BOOM LIFT HYDRAULICS .....	I-18 & I-19
BOOM EXTEND HYDRAULICS .....	I-20 & I-21
WINCH HYDRAULICS .....	I-22 & I-23
UNDERLIFT EXTEND HYDRAULICS.....	I-24 & I-25
UNDERLIFT TILT HYDRAULICS.....	I-26 & I-27
SUBFRAME HYDRAULICS .....	I-28 & I-29

# TABLE OF CONTENTS (cont'd)

## Section I - PARTS

HYDRAULIC TANK ASSEMBLY .....	I-30 & I-31
STANDARD JACKLEG ASSEMBLY .....	I-32 & I-33
JACKLEG ASSEMBLY W/ FLIPPER FEET .....	I-34 & I-35
REAR OUTRIGGER OPTION .....	I-36 & I-37
JACKLEG HYDRAULICS .....	I-38 & I-39
DUAL CONTROL ASSEMBLY .....	I-40 & I-41
LIFT ADAPTERS .....	I-42 & I-43
5X5 BUS LIFT ASSEMBLY .....	I-44 & I-45
EURO BUS LIFT ASSEMBLY .....	I-46 & I-47
PINTLE HOOK ADAPTER .....	I-48 & I-49
5TH WHEEL ADAPTER .....	I-50 & I-51
KING PIN ADAPTER .....	I-52 & I-53
AIR SYSTEM .....	I-54 & I-55
PARTS LIST NV-50 .....	I-56 thru I-66



## **Section I - PARTS**

This Section is provided by the manufacturer for the purpose of ordering any component part of the **Vulcan NV-50** that may be required when part replacement is necessary. Be certain to use only original equipment replacement parts for warranty purposes as well as for keeping your unit in its original state and optimum operating capacities.

When ordering replacement or spare parts be sure to provide the following information to the manufacturer's **Parts Department**.

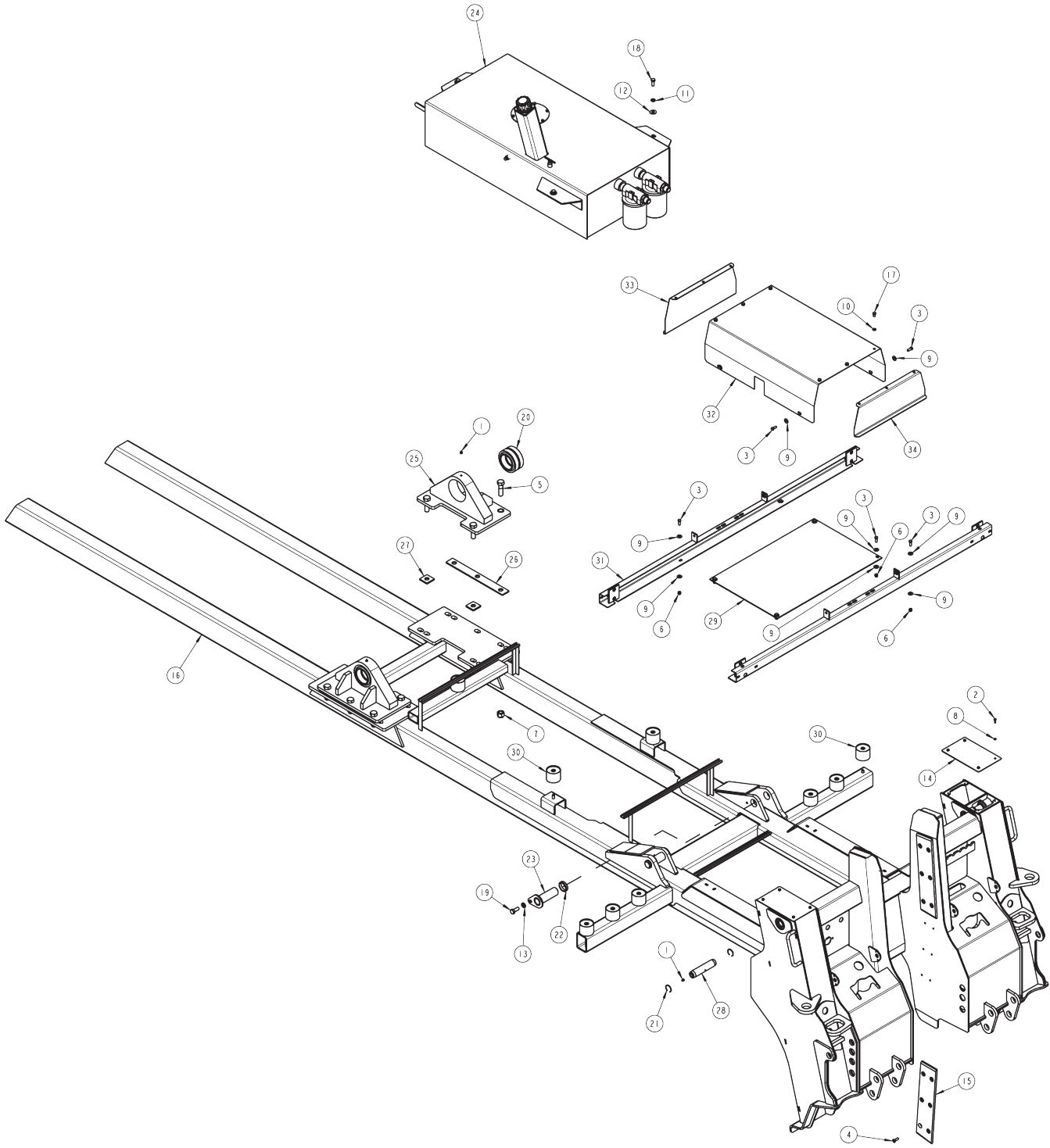
1. **Manual Number & Date of Publication**
2. **Manual Page Number**
3. **Page Title**
4. **Reference Number of Part Desired**
5. **Part Number**
6. **Part Description**
7. **Quantity of Part Desired**

Providing this information will help ensure that the correct parts will be delivered to you in an expedient manner without delay. Should additional information be required for repair or replacement of certain components, contact your Wrecker Manufacturer Authorized Representative.

The Manufacturer reserves the right, without notice or obligation, to improve or modify their products, which may change the specifications, models and feature availability.

# Section I - PARTS (cont'd)

## SUBFRAME ASSEMBLY





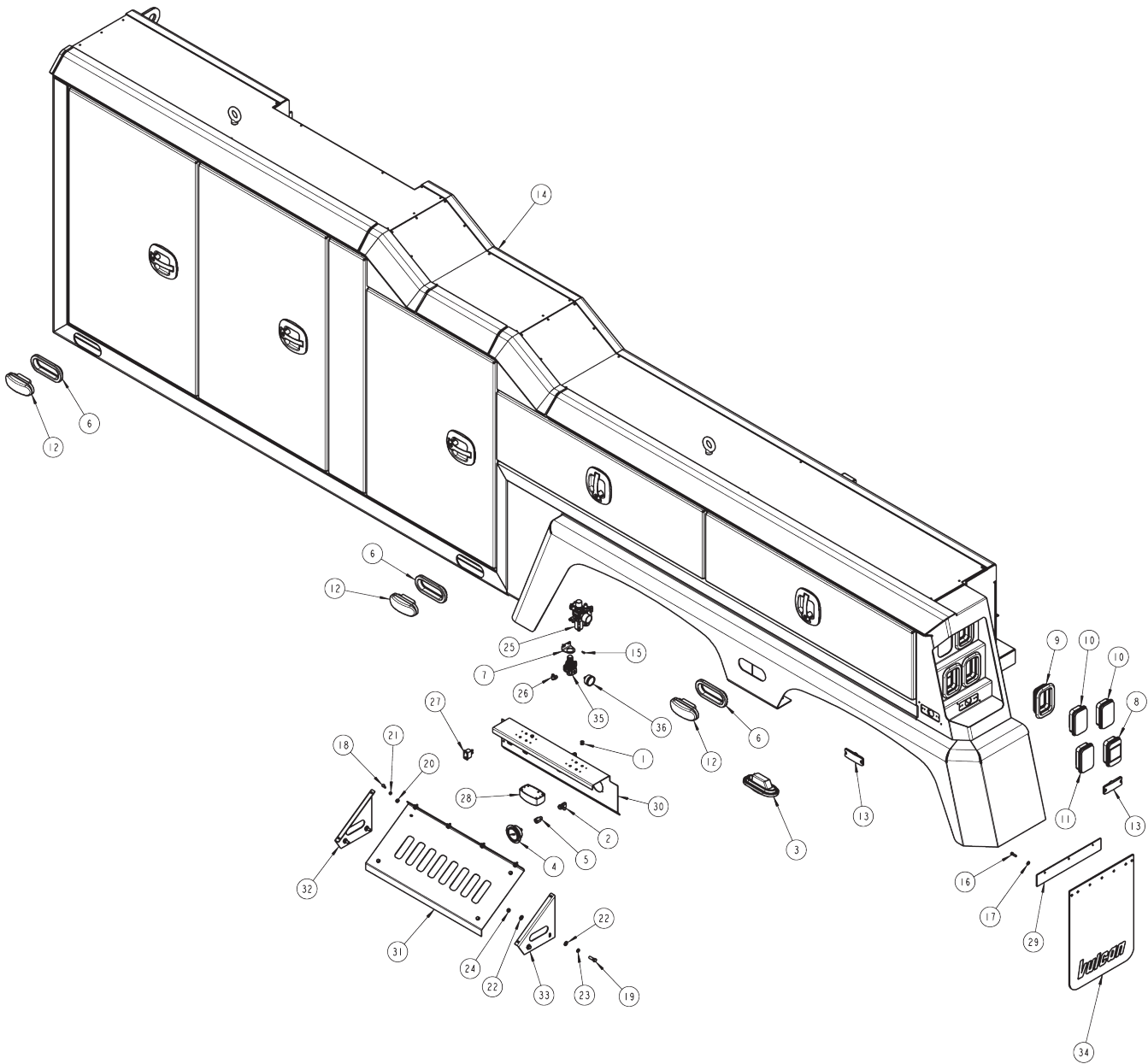
## Section I - PARTS (cont'd)

### SUBFRAME ASSEMBLY

ITEM	PART NUMBER	DESCRIPTION	QTY
1	0301895	GREASE FITTING, 1/8 NPT STRAIGHT	4
2	0400066	1/4-20 X 3/4 HHCS GR.5 ZP	8
3	0400126	3/8-16 X 1 HHCS GR.5 ZP	12
4	0400128	3/8-16X1.25 FLAT HD SOC	24
5	0400306	7/8-9 X 3 HHCS GR. 8 GOLD	10
6	0400392	3/8-16 NYLOCK HEX NUT ZP	8
7	0400437	7/8-9 NYLOCK HEX NUT GR.8 ZP	10
8	0400452	1/4 HELICAL LOCK WASHER ZP	8
9	0400480	3/8 FLAT WASHER ZP	20
10	0400482	3/8 HELICAL LOCK WASHER ZP	6
11	0400491	1/2 HELICAL LOCK WASHER ZP	5
12	0400492	1/2 FLAT WASHER ZP	3
13	0400508	5/8 HELICAL LOCK WASHER ZP	2
14	0724349	PLATE - SPADE COVER	2
15	0724476	NYLATRON PAD	4
16	0810080	NV-50 SUBFRAME WELDMENT	1
17	9041202	3/8-16 X 5/8 PL GR8	6
18	9041402	1/2-13NC X 1 1/4 HHCS ZP GR.8	5
19	9043950	5/8-11X1-1/2	2
20	9053041	BEARING, SPHERICAL TORRIN	2
21	9054150	SNAP RING, 1-1/4" NOM INTERNAL	4
22	915040002	THRUST WASHER	2
23	915351500	LOWER PIN WELDMENT	2
24	915780000	HYDRAULIC TANK ASSY	1
25	930202500	PIVOT BLOCK WELDMENT	2
26	930202504	TIE PLATE	2
27	930202505	WASHER PLATE	4
28	930350001	PIN, UPPER STIFFLEG	2
29	930400009	PLATE- BOTTOM	1
30	9402970	TOOLBOX MTG. PAD	9
31	946400600	CHANNEL WELDMENT	2
32	946402501	TOP PANEL - D.C.V. COVER ASSY	1
33	946402600	REAR PANEL WELDMENT	1
34	946402700	FRONT PANEL WELDMENT	1

# Section I - PARTS (cont'd)

## LH BODY ASSEMBLY



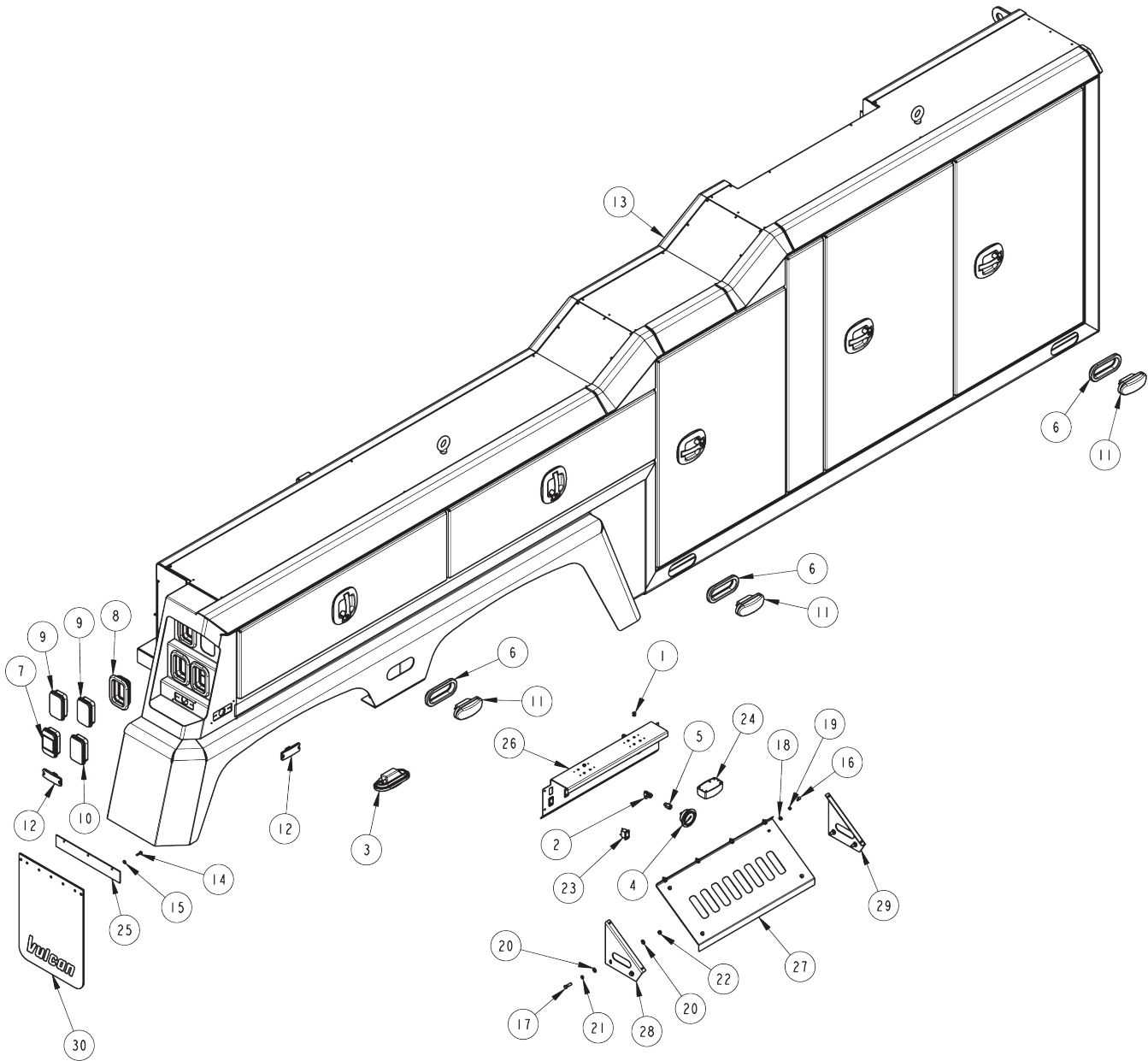
## Section I - PARTS (cont'd)

### LH BODY ASSEMBLY

ITEM	PART NUMBER	DESCRIPTION	QTY
1	0300117	GROMMET RUBBER	2
2	0301696	ELBOW, 6MJ-6FJX90	2
3	0302201	BACKUP LIGHT W/ GROMMET & PLUG	1
4	0302205	GAUGE, FLUSH MOUNT 6000 PSI	2
5	0302577	CONNECTOR, 6MJ-4FP	2
6	0303128	GROMMET, TAIL LIGHT	3
7	0303365	BRKT- MOUNTING	1
8	0306684	LIGHT, BACKUP	1
9	0306685	GROMMET, LED LIGHT 45 STT	4
10	0307215	LED LIGHT, RED 45 STT	2
11	0307216	LED LIGHT, AMBER 45 REAR TURN	1
12	0307220	LIGHT OVAL AMBER 60 LED	3
13	0307538	LIGHT, MARKER RED LED 4.5 X 1.63	2
14	0311016	2010 VULCAN AL. BODY 180CB	1
15	0400021	#8-32 X .5 FLAT HEAD PHILLIPS S.S.	4
16	0400070	1/4-20 X 1 HHCS GR5 ZP	3
17	0400451	1/4 FLAT WASHER ZP	3
18	0402020	1/4-20 X 3/4 HHCS SS	8
19	0402043	3/8-16 X 1-1/4 HHCS SS	4
20	0402110	1/4 FLATWASHER 316 STAINLESS	8
21	0402111	1/4 LOCKWASHER 316 STAINLESS	8
22	0402120	3/8 FLATWASHER 316 SS	8
23	0402121	3/8 LOCKWASHER 316 STAINLESS	4
24	0402122	HEX NUT 316 STAINLESS	4
25	0909085	KIT, AIR FLR/REG/LUBE COMBO 1/4	1
26	9010520	FITTING - ELBOW, 1/4T-1/4NPT MALE	2
27	9024041	MCGILL SWITCH	4
28	9025049	INTERIOR COMPARTMENT LIGHT W/ SW	2
29	920400005	MUD FLAP BRACE PLATE	1
30	942480003	D.C.V. UPPER PANEL	1
31	942480200	D.C.V. LOWER PANEL WELDMENT	1
32	942480300	LH MTG ANGLE WELDMENT	1
33	942487300	RH MTG ANGLE WELDMENT	1
34	94320052	MUDFLAP	1
35	HA0131	AIR FILTER / REGULATOR COMBO	1
36	HA0132	GAUGE- AIRFILTER/REGULATOR	1

# Section I - PARTS (cont'd)

## RH BODY ASSEMBLY



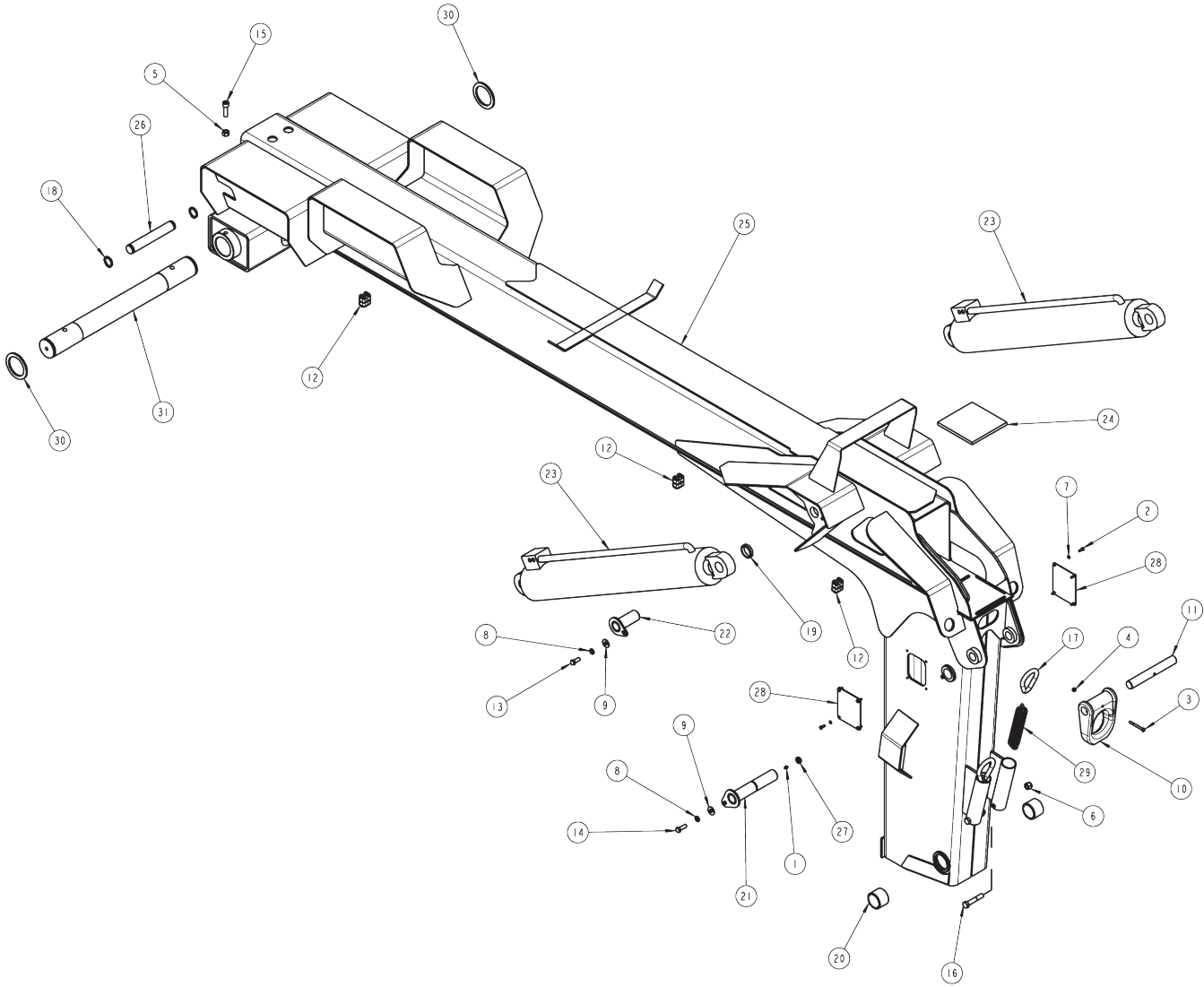
## Section I - PARTS (cont'd)

### RH BODY ASSEMBLY

ITEM	PART NUMBER	DESCRIPTION	QTY
1	0300117	GROMMET RUBBER	2
2	0301696	ELBOW, 6MJ-6FJX90	2
3	0302201	BACKUP LIGHT W/ GROMMET & PLUG	1
4	0302205	GAUGE, FLUSH MOUNT 6000 PSI	2
5	0302577	CONNECTOR, 6MJ-4FP	2
6	0303128	GROMMET, TAIL LIGHT	3
7	0306684	LIGHT, BACKUP	1
8	0306685	GROMMET, LED LIGHT 45 STT	4
9	0307215	LED LIGHT, RED 45 STT	2
10	0307216	LED LIGHT, AMBER 45 REAR TURN	1
11	0307220	LIGHT OVAL AMBER 60 LED	3
12	0307538	LIGHT, MARKER RED LED 4.5 X 1.63	2
13	0311017	2010 VULCAN AL. BODY 180CB	1
14	0400070	1/4-20 X 1 HHCS GR5 ZP	3
15	0400451	1/4 FLAT WASHER ZP	3
16	0402020	1/4-20 X 3/4 HHCS SS	8
17	0402043	3/8-16 X 1-1/4 HHCS SS	4
18	0402110	1/4 FLATWASHER 316 STAINLESS	8
19	0402111	1/4 LOCKWASHER 316 STAINLESS	8
20	0402120	3/8 FLATWASHER 316 SS	8
21	0402121	3/8 LOCKWASHER 316 STAINLESS	4
22	0402122	HEX NUT 316 STAINLESS	4
23	9024041	MCGILL SWITCH	4
24	9025049	INTERIOR COMPARTMENT LIGHT W/ SW	2
25	920400005	MUD FLAP BRACE PLATE	1
26	942480003	D.C.V. UPPER PANEL	1
27	942480200	D.C.V. LOWER PANEL WELDMENT	1
28	942480300	LH MTG ANGLE WELDMENT	1
29	942487300	RH MTG ANGLE WELDMENT	1
30	94320052	MUDFLAP	1

# Section I - PARTS (cont'd)

## OUTER BOOM ASSEMBLY



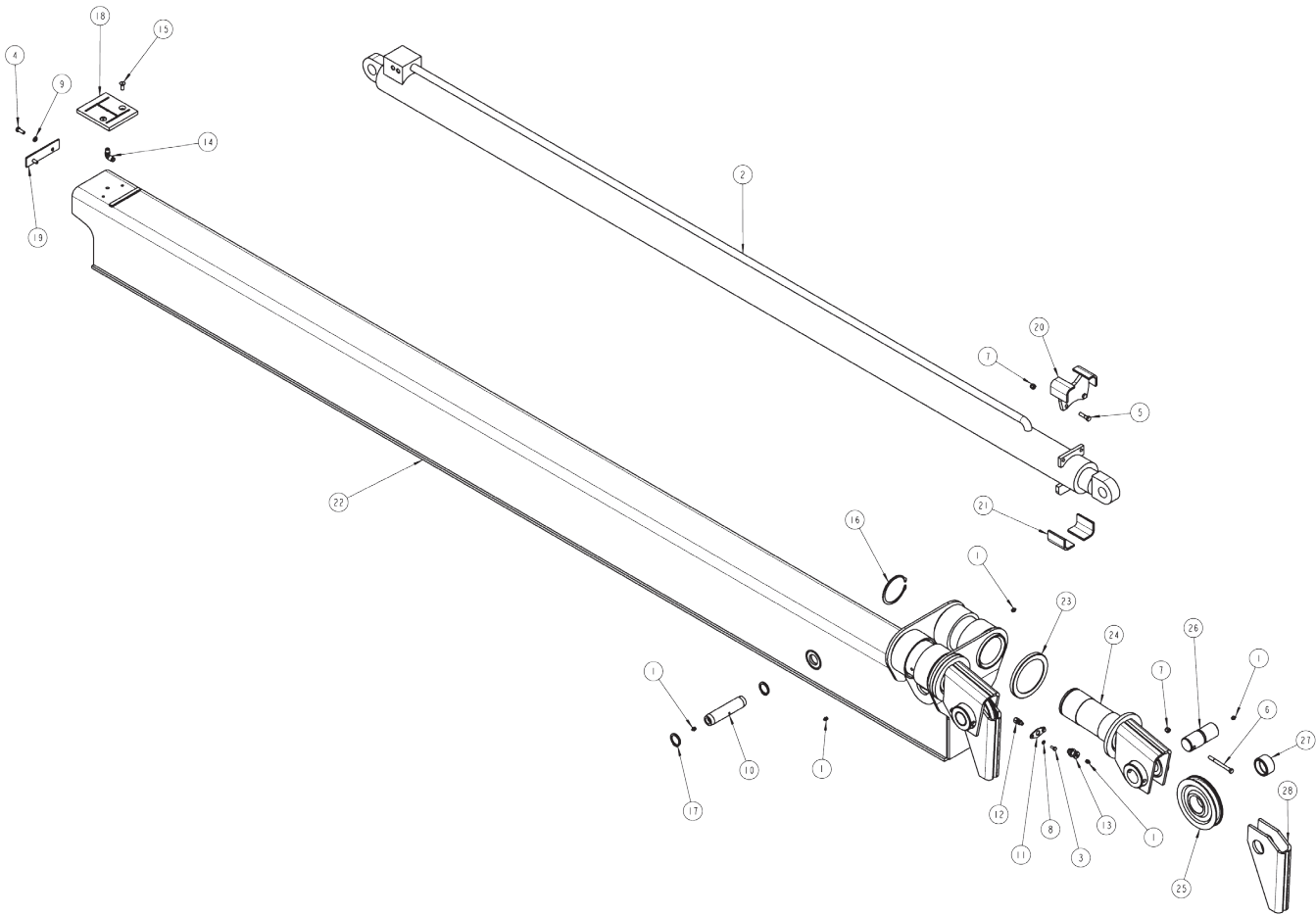
## Section I - PARTS (cont'd)

### OUTER BOOM ASSEMBLY

ITEM	PART NUMBER	DESCRIPTION	QTY
1	0301895	GREASE FITTING, 1/8 NPT STRAIGHT	1
2	0400066	1/4-20 X 3/4 HHCS GR.5 ZP	8
3	0400114	5/16-18 X 3 HHCS GR 5 ZP	1
4	0400382	5/16-18 NYLOCK HEX NUT ZP	1
5	0400424	5/8-18 HEX NUT ZP	2
6	0400426	5/8-11 NYLOCK NUT GR.8 ZP	2
7	0400452	1/4 HELICAL LOCK WASHER ZP	8
8	0400491	1/2 HELICAL LOCK WASHER ZP	3
9	0400492	1/2 FLAT WASHER ZP	3
10	0719585	"D" RING - TOWING	1
11	0722325	PIN	1
12	9018255	1/2 TUBE CLAMP FM2127-PP	12
13	9041402	1/2-13NC X 1 1/4 HHCS ZP GR.8	2
14	9041403	1/2-13 X 1-1/2 HHCS GR 8 ZP	1
15	9043605	SCREW, 5/8"-11 X 4-1/2" SKT HD CAP	2
16	9043975	5/8-11 X 3-1/2 UNC HHCS GR 8	2
17	9048800	5/8 WELDLESS CHAIN LINK	2
18	9056150	RETAINING RING, 1-1/2"	2
19	915040002	THRUST WASHER	2
20	915290506	BRZ BUSHING -2.25 ID X 2.75 OD	2
21	915350500	UPPER PIN WELDMENT	1
22	915352000	PIN WELDMENT - CYL. MTG.	2
23	915735000	MAIN BOOM LIFT CYLINDER	2
24	916040004	WEAR PAD - LOWER	1
25	916250000	V-50 OUTER BOOM WELDMENT	1
26	916350001	PIN - BOOM EXT. CYL. FR.	1
27	920255003	SPACER - LOCK PIN WELDMENT	1
28	930290002	COVER PLATE	2
29	945030007	SPRING - HOSE TENSIONER	2
30	945040001	MAIN BOOM PIVOT	2
31	945350001	PIVOT PIN, MAIN BOOM TO SUBFRAME	1

# Section I - PARTS (cont'd)

## INNER BOOM ASSEMBLY





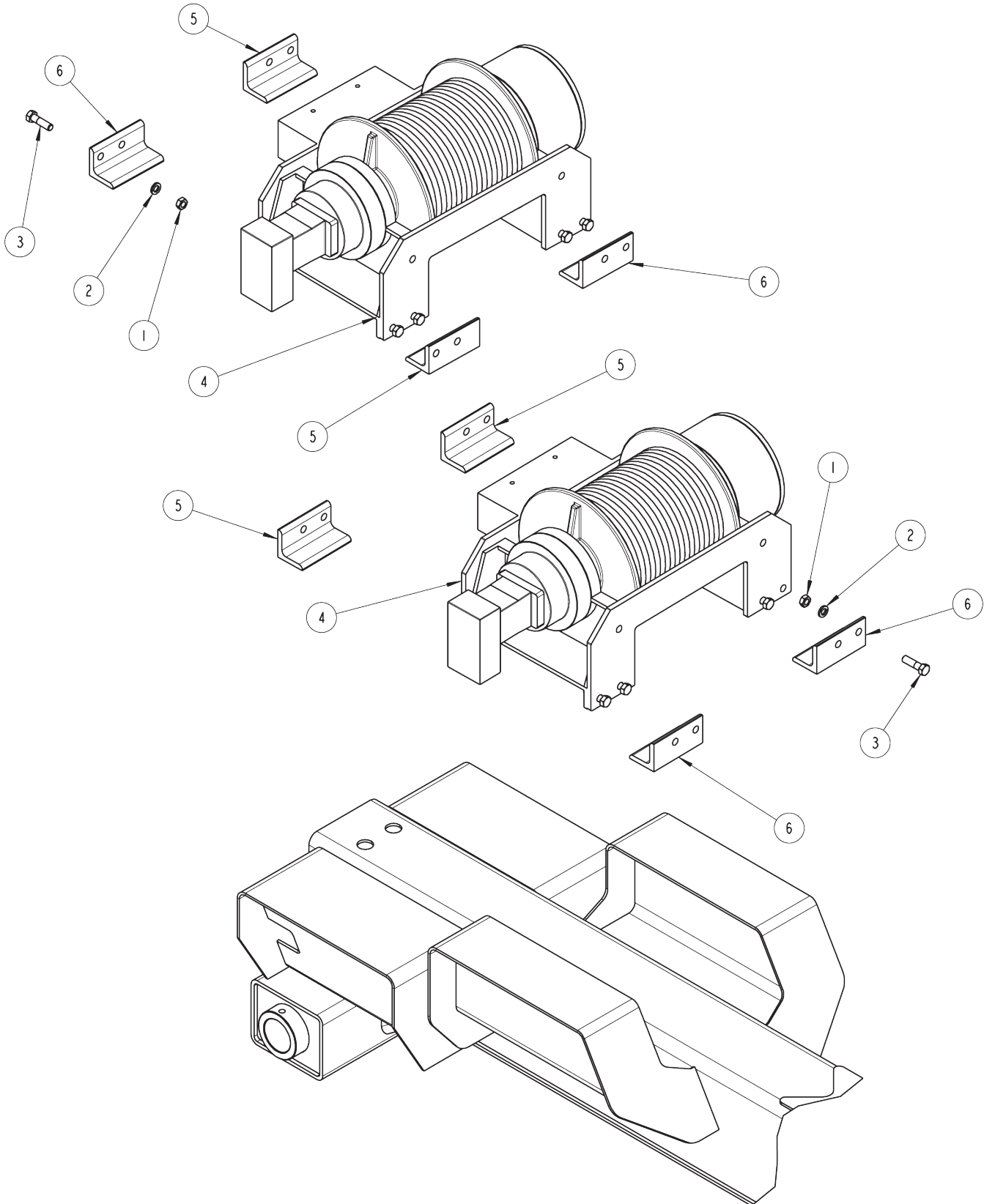
## Section I - PARTS (cont'd)

### INNER BOOM ASSEMBLY

ITEM	PART NUMBER	DESCRIPTION	QTY
1	0301895	GREASE FITTING, 1/8 NPT STRAIGHT	6
2	0307082	CYLINDER - BOOM EXTEND	1
3	0400059	1/4-20 X 5/8 HHCS GR 5 ZP	2
4	0400126	3/8-16 X 1 HHCS GR.5,ZP	2
5	0400132	3/8-16 X 1 1/2 HHCS GR.5,ZP	2
6	0400140	3/8-16 X 4 HHCS GR.5,ZP	2
7	0400392	3/8-16 NYLOCK HEX NUT ZP	4
8	0400452	1/4 HELICAL LOCK WASHER ZP	2
9	0400482	3/8 HELICAL LOCK WASHER ZP	2
10	0724499	PIN, UPPER JACK LEG CYLINDER	1
11	3012-793001	PLATE - LUBE MTG	1
12	9012549	CONNECTOR, 3/8 TUBE X 1/8 NPT	1
13	9012552	BULKHEAD COUPLING, 1/8	1
14	9012584	ELBOW, 1/4 NPT X 3/8 TUBE 90	1
15	9044434	3/8-16X1 NC FLAT	2
16	9055400	4" EXTERNAL RET.RING	2
17	9056150	RETAINING RING, 1-1/2"	2
18	915030004	WEAR PAD	1
19	915040001	PAD RETAINING PLATE	1
20	915040400	TOP SPIDER CLAMP ASSY - BOOM ASSY	1
21	915040501	BOTTOM CLAMP ANGLE - EXT. CYL. ASSY	2
22	916280000	INNER BOOM WELD'T	1
23	920100001	SHEAVE SPACRER RING - BOOM ASSEMBLY	2
24	920101000	SHEAVE PIVOT WELDMENT	2
25	9401002	SHEAVE - SHEAVE ASSEMBLY	2
26	9401004	PIN - SHEAVE ASSEMBLY	2
27	9401007	BRONZE BUSHING	2
28	9401070	ROPE GUIDE WELDMENT - SHEAVE ASSY	2

Section I - PARTS (cont'd)

WINCH ASSEMBLY



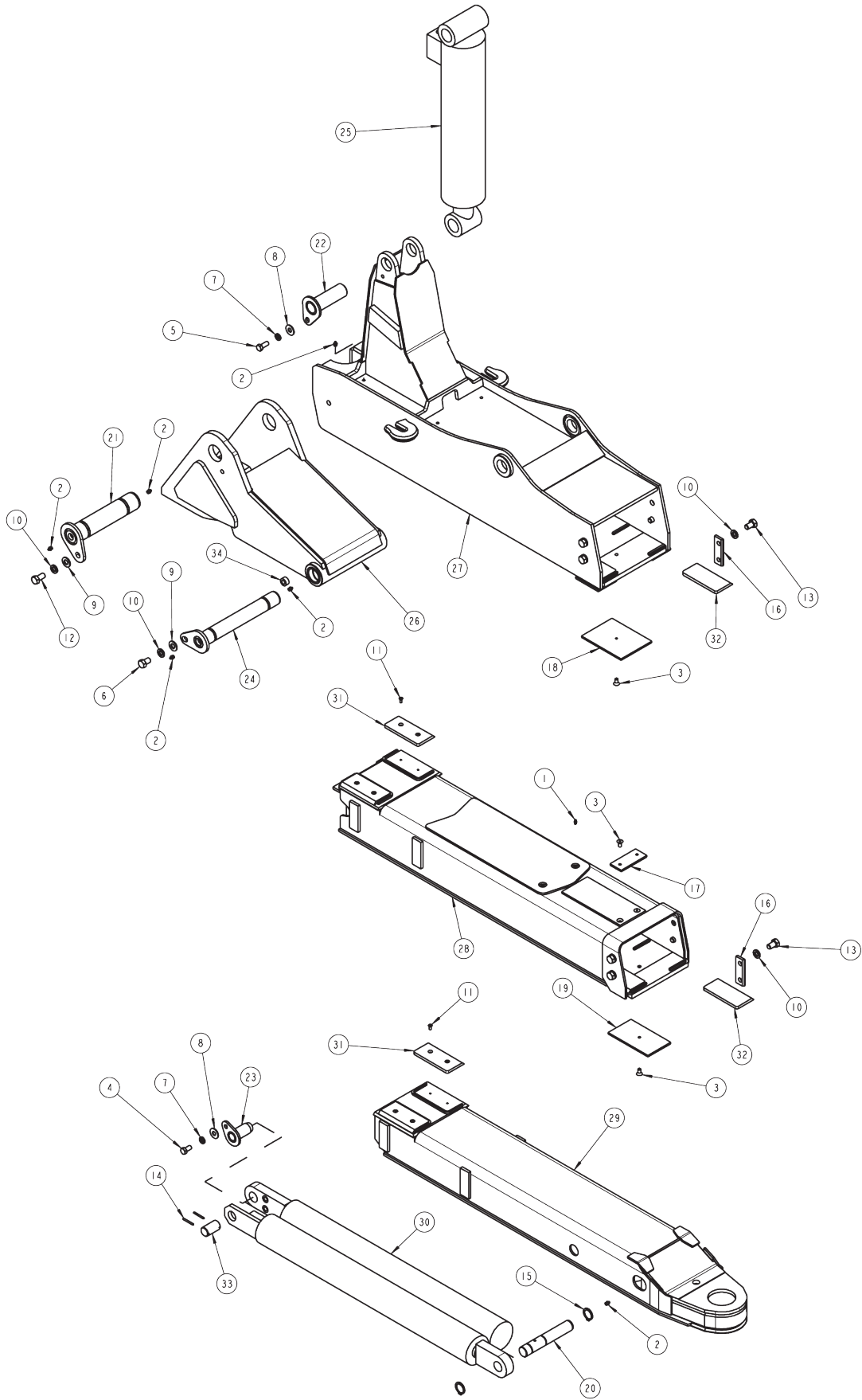
# Section I - PARTS (cont'd)

## WINCH ASSEMBLY

ITEM	PART NUMBER	DESCRIPTION	QTY
1	0400427	5/8-11 HEX JAM NUT ZP	16
2	0400508	5/8 HELICAL LOCK WASHER ZP	16
3	9044409	5/8-11 X 2-1/4 HHCS GR8 ZP	16
4	9048248	WINCH DP 2-SPD 25K NARROW DRUM	2
5	916040001	WINCH FRONT MTG. ANGLE - BOOM ASSY	4
6	916040002	WINCH REAR MTG. ANGLE - BOOM ASSY	4

# Section I - PARTS (cont'd)

## UNDERLIFT ASSEMBLY



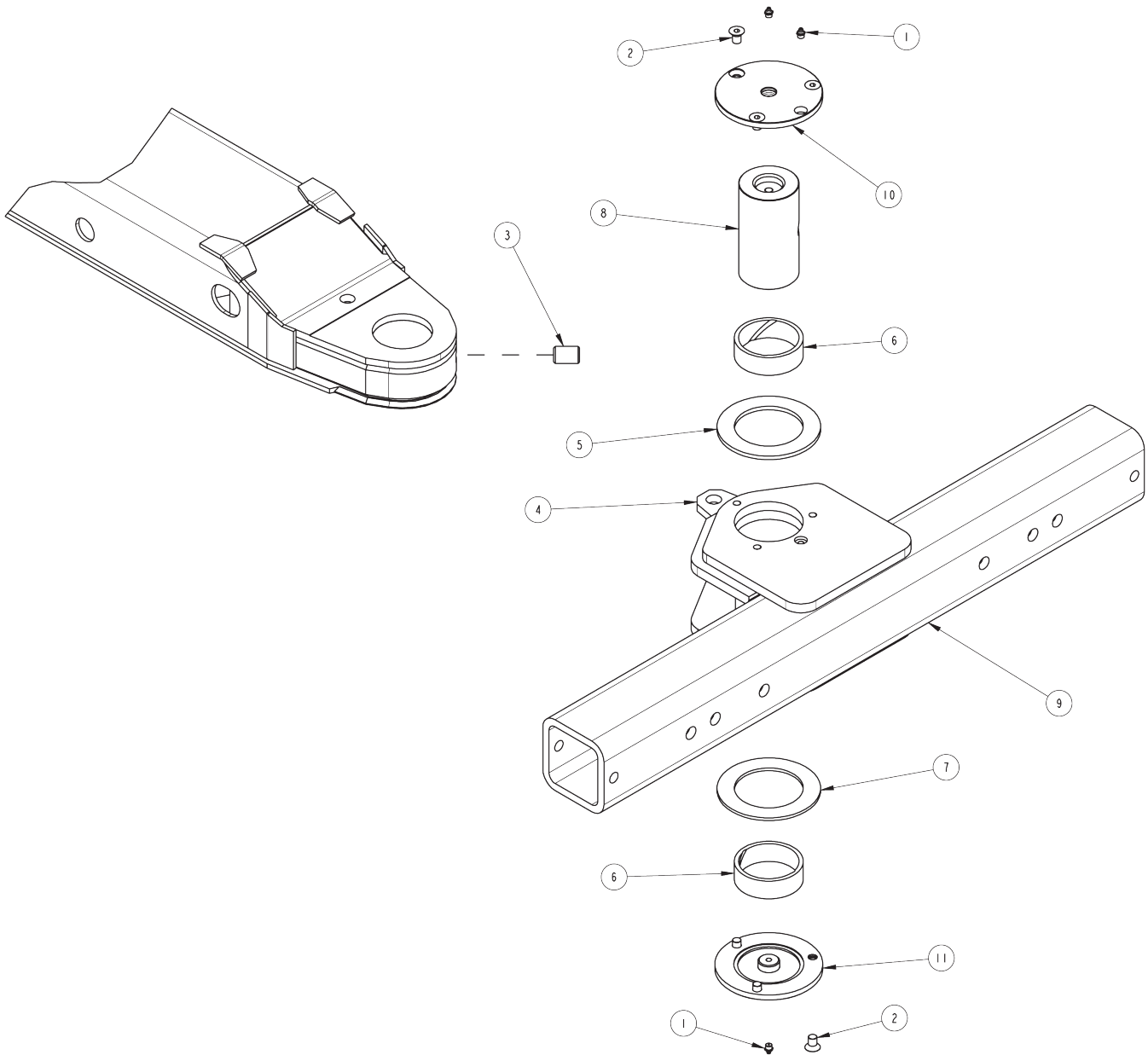
## Section I - PARTS (cont'd)

### UNDERLIFT ASSEMBLY

ITEM	PART NUMBER	DESCRIPTION	QTY
1	0300113	GREASE FITTING, 1/4-28 STRAIGHT	2
2	0301895	GREASE FITTING, 1/8 NPT STRAIGHT	7
3	0400134	3/8-24 X 3/4 FLATHEAD SOCKET SCREW	4
4	0400176	1/2-13 X 1 HHCS GR 5 ZP	1
5	0400177	1/2-13 X 1 1/4 HHCS GR 5 ZP	1
6	0400248	5/8-11 X HHCS GR 8 ZP	1
7	0400491	1/2 HELICAL LOCK WASHER ZP	2
8	0400492	1/2 FLAT WASHER ZP	2
9	0400505	5/8 FLAT WASHER SAE	2
10	0400508	5/8 HELICAL LOCK WASHER ZP	10
11	0400594	SCREW, 1/4"-20 X 5/8" FL SKT HD	8
12	9040602	5/8-11 X 1-1/4 HHCS GR 8 ZP	1
13	9044478	5/8-18 NF X 1 GR 8 ZP	8
14	9046315	ROLL PIN, 3/16" X 1"	2
15	9056137	SNAP RING, 2-1/4"	2
16	915150002	STOP PAD	4
17	915150003	SPACER 1ST STAGE STINGER	1
18	915310006	BOTTOM PAD HOLDER FOLDING BOOM	1
19	915320013	BOTTOM PAD HOLDER 1ST STAGE STINGER	1
20	915350006	PIN - STINGER EXT. CYLINDER - REAR	1
21	915351000	SHAFT WELDMENT PIVOT FOOT PIVOT	1
22	915351500	LOWER PIN WELDMENT	1
23	915352500	FRONT MTG. PIN WELDMENT	1
24	915353000	SHAFT WELDMENT FOLDING BOOM PIVOT	1
25	915740000	TILT CYLINDER	1
26	916300000	PIVOT FOOT WELDMENT	1
27	916310000	FOLDING BOOM WELDMENT	1
28	916320000	1ST STAGE STINGER WELDMENT	1
29	916330000	2ND STAGE STINGER WELDMENT	1
30	916720000	STINGER EXT. CYLINDER	1
31	930150003	TOP PAD	4
32	930150004	BOTTOM PAD	4
33	930150011	PIN CYLINDER 1ST STAGE STINGER	1
34	930190006	PIN MTG. TUBE	1

Section I - PARTS (cont'd)

CROSSBAR ASSEMBLY



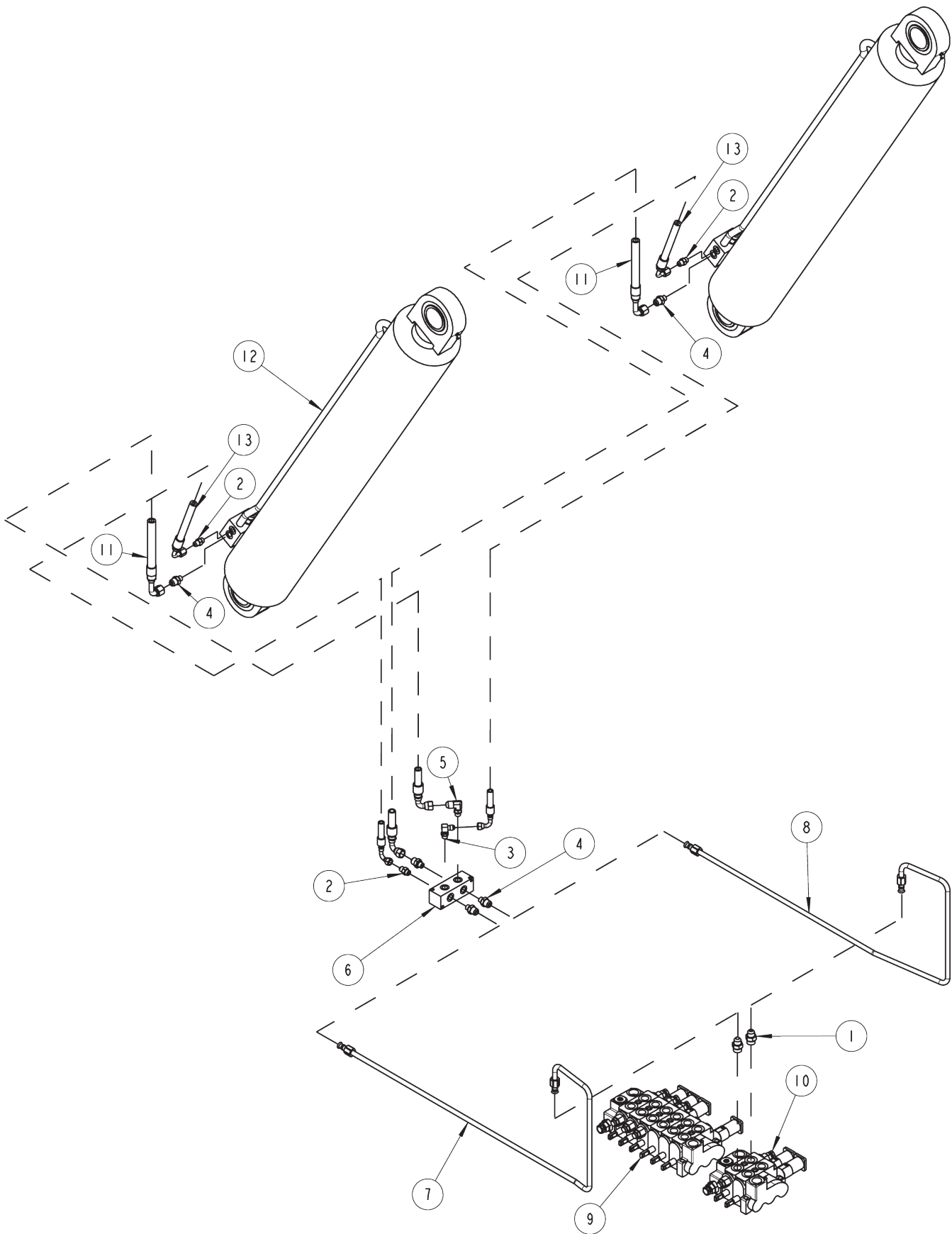
# Section I - PARTS (cont'd)

## CROSSBAR ASSEMBLY

ITEM	PART NUMBER	DESCRIPTION	QTY
1	0301895	GREASE FITTING, 1/8 NPT STRAIGHT	3
2	9043800	1/2-13 X 1 FLAT HEAD SOCKET CAP SCR	6
3	9044170	1-8X1-1/2 SOC SET SCREW	1
4	915150004	LUG PLATE CROSSBAR ASSEMBLY	1
5	915150005	THURST WASHER (.25 THK)	1
6	945510006	BEARING, ALUMINUM BRONZE	2
7	945510007	THURST WASHER (.19 THK)	1
8	946350005	PIVOT PIN	1
9	946570500	5" CROSSBAR WELDMENT	1
10	946571000	TOP COVER PLATE WELDMENT	1
11	946571100	BOTTOM COVER PLATE WELDMENT	1

Section I - PARTS (cont'd)

BOOM LIFT HYDRAULICS





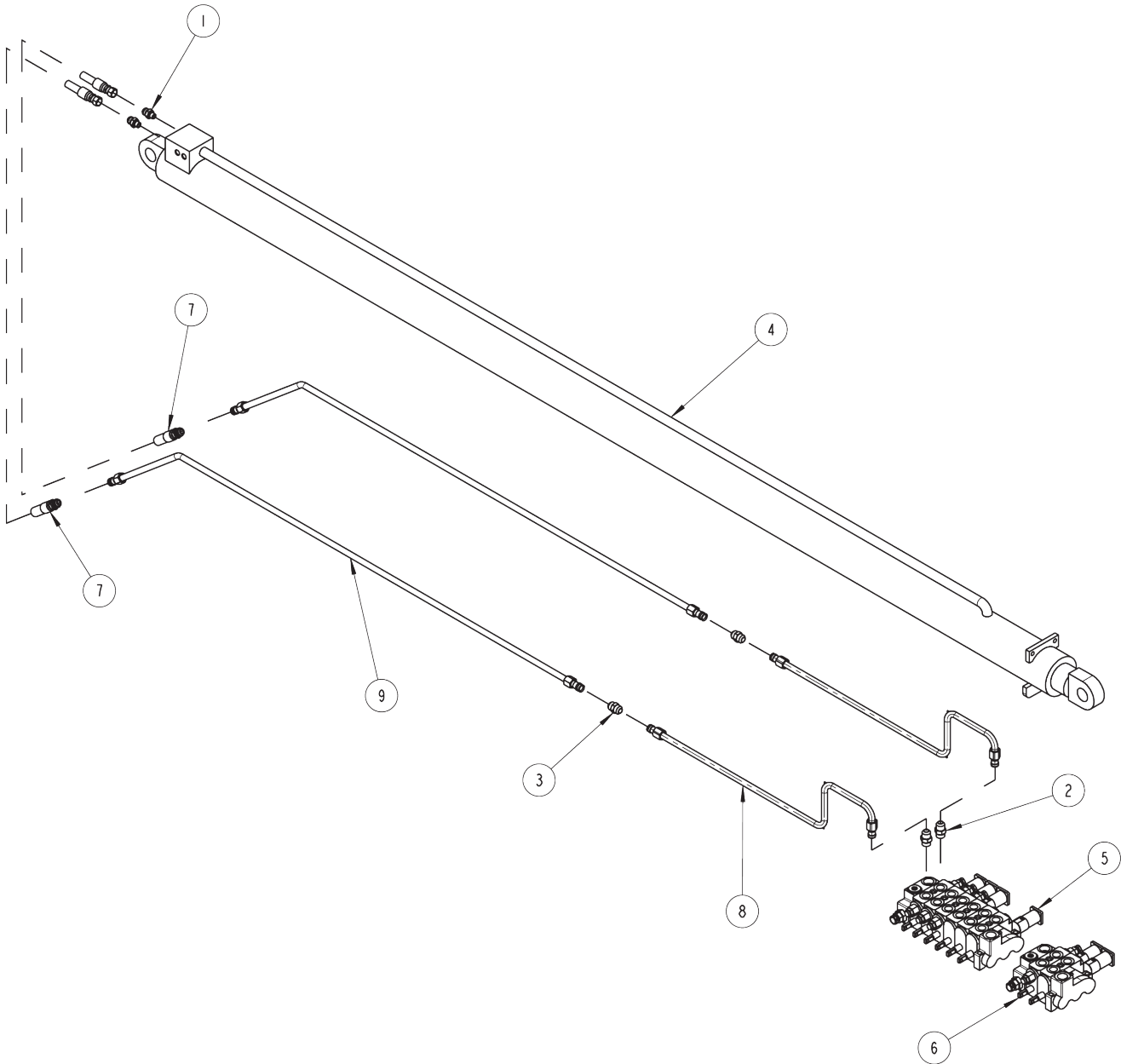
## Section I - PARTS (cont'd)

### BOOM LIFT HYDRAULICS

ITEM	PART NUMBER	DESCRIPTION	QTY
1	0301376	CONNECTOR 8MJX10MB	2
2	0301522	CONNECTOR 6MJ-6MB	3
3	0301620	FITTING, ELBOW, 6MJ-6MB90	1
4	0302275	CONNECTOR 8MJX6MB	5
5	0302276	ELBOW, 8MJ-6MB90	1
6	0306700	MANIFOLD BLOCK	1
7	0310840	HYD TUBE ASSY - BOOM LIFT (A PORT)	1
8	0310841	HYD TUBE ASSY - BOOM LIFT (PORT B)	1
9	9016021	VALVE 6 SPOOL	1
10	9016022	VALVE 2 SPOOL	1
11	915770002	HOSE ASSEMBLY, 12" LG	2
12	946700000	CYLINDER ASSEMBLY	2
13	946770001	HOSE ASSEMBLY - MAIN LIFT CYLINDER	2

Section I - PARTS (cont'd)

BOOM EXTEND HYDRAULICS



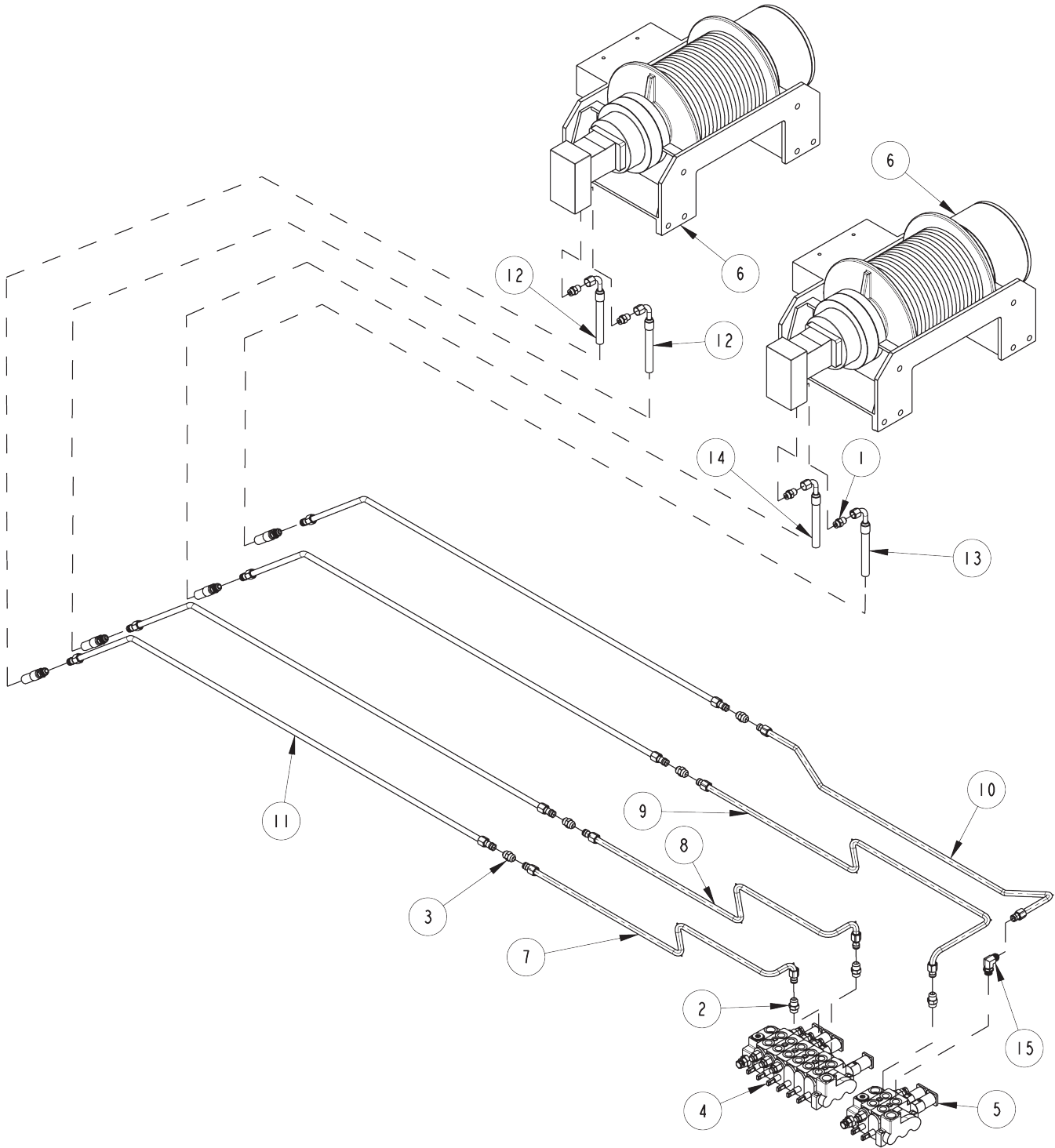
**Section I - PARTS (cont'd)**

**BOOM EXTEND HYDRAULICS**

ITEM	PART NUMBER	DESCRIPTION	QTY
1	0302275	CONNECTOR 8MJX6MB	2
2	0302827	CONNECTOR 10MJX10MB	2
3	0307003	INLINE ORIFICE	2
4	0307082	CYLINDER - BOOM LIFT	1
5	9016021	VALVE 6 SPOOL	1
6	9016022	VALVE 2 SPOOL	1
7	945770007	HOSE ASSY, 8AT2(10MJ-8FJ) HCL 48	2
8	946760003	HYD TUBE ASSY. MAIN BOOM EXT.	2
9	946760017	HYD TUBE ASSY. 5/8" END SECTION	2

# Section I - PARTS (cont'd)

## WINCH HYDRAULICS

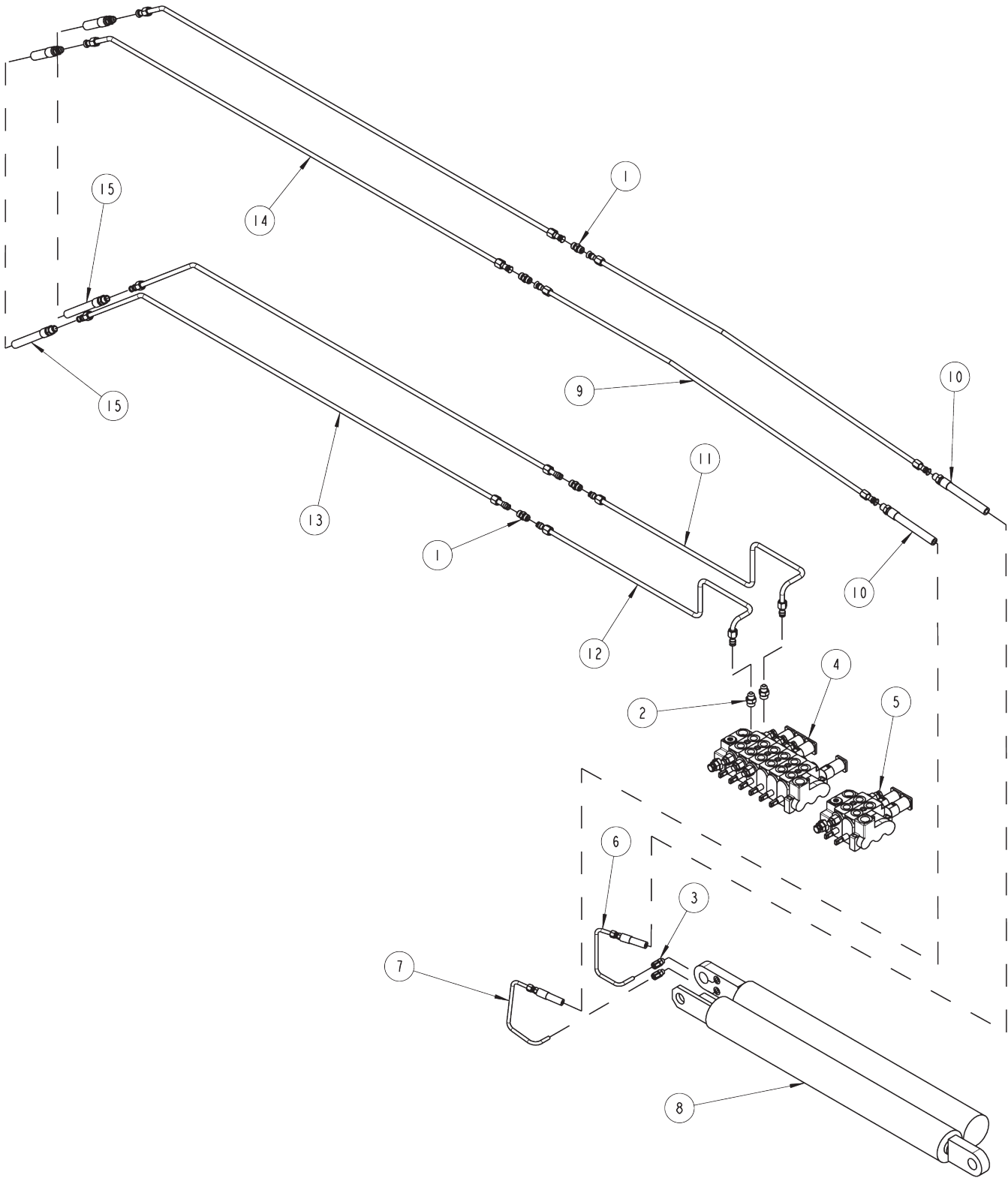


**Section I - PARTS (cont'd)**

**WINCH HYDRAULICS**

ITEM	PART NUMBER	DESCRIPTION	QTY
1	0300041	CONNECTOR 8MJX8MB	4
2	0302827	CONNECTOR 10MJX10MB	3
3	0307003	INLINE ORIFICE	4
4	9016021	VALVE 6 SPOOL	1
5	9016022	VALVE 2 SPOOL	1
6	9048248	WINCH DP 2-SPD 25K NARROW DRUM	2
7	946760010	HYDRAULIC TUBE ASSEMBLY	1
8	946760011	HYDRAULIC TUBE ASSEMBLY	1
9	946760013	TUBE, HYD 5/8X48 3/8	1
10	946760014	TUBE, HYD 5/8X29 3/4	1
11	946760017	HYDRAULIC TUBE ASSY. 5/8" END SECTION	4
12	946770007	HOSE ASSEMBLY, 89" LG	2
13	946770008	HOSE ASSEMBLY, 89" LG	1
14	946770009	HOSE ASSEMBLY, 89" LG	1
15	GX263	FITTING, ELB 10MJ-10MB90	1

**Section I - PARTS (cont'd)**  
**UNDERLIFT EXTEND HYDRAULICS**



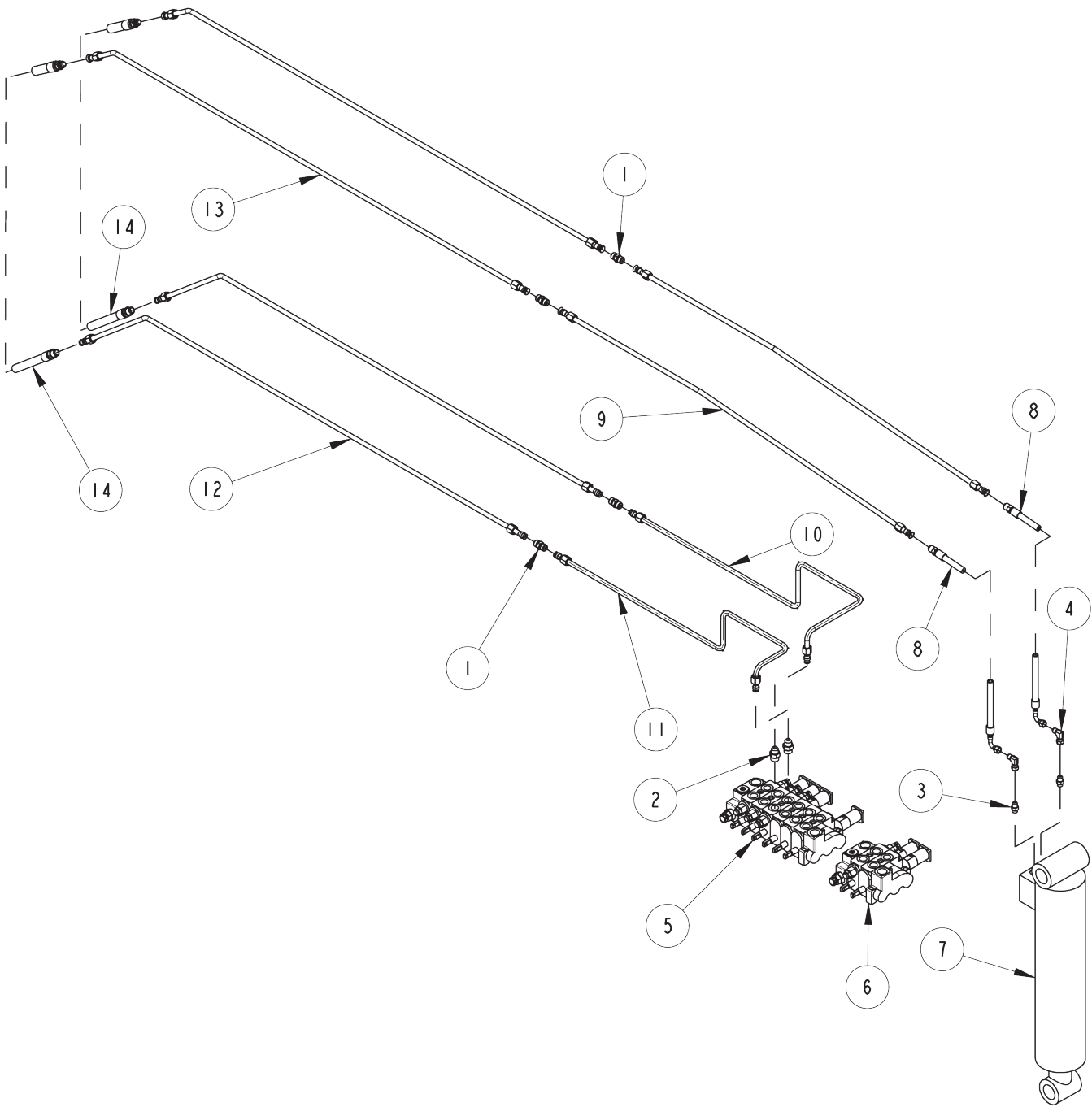
## Section I - PARTS (cont'd)

### UNDERLIFT EXTEND HYDRAULICS

ITEM	PART NUMBER	DESCRIPTION	QTY
1	0300865	ADAPTER, 8MJ-6MJ	4
2	0301376	CONNECTOR 8MJ-10MB	2
3	9012510	CONNECTOR, 9/16" SAE X 3/8" TUBE	2
4	9016021	VALVE 6 SPOOL	1
5	9016022	VALVE 2 SPOOL	1
6	915760022	STINGER SUPPLY TUBE	1
7	915760023	STINGER SUPPLY TUBE	1
8	916720000	STINGER EXT. CYLINDER	1
9	916760001	HYDRAULIC TUBE ASSY	2
10	916770001	HOSE ASSEMBLY, 30" LG	2
11	946760004	HYD TUBE ASSY. STINGER EXT. A PORT	1
12	946760005	HYD TUBE ASSY. STINGER EXT. B PORT	1
13	946760018	HYD TUBE ASSY. 1/2" END SECTION	2
14	946760019	HYD TUBE ASSEMBLY	2
15	946770003	HOSE ASSEMBLY, 45" LG	2

Section I - PARTS (cont'd)

UNDERLIFT TILT HYDRAULICS





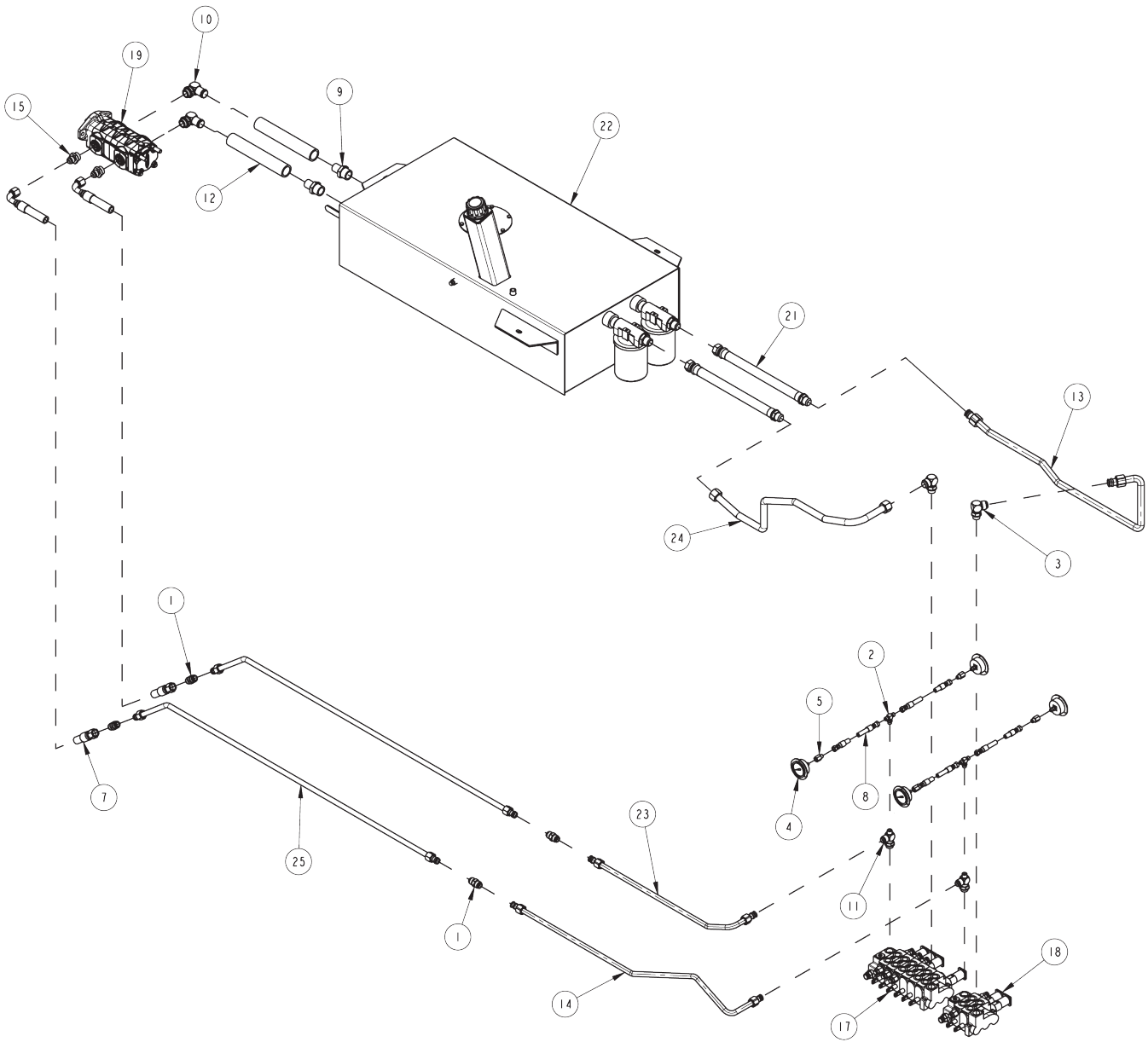
## Section I - PARTS (cont'd)

### UNDERLIFT TILT HYDRAULICS

ITEM	PART NUMBER	DESCRIPTION	QTY
1	0300865	ADAPTER, 8MJ-6MJ4	
2	0301376	CONNECTOR 8MJX10MB	2
3	0301522	CONNECTOR 6MJ-6MB	2
4	0301696	ELBOW, 6MJ-6FJX90	2
5	9016021	VALVE 6 SPOOL	1
6	9016022	VALVE 2 SPOOL	1
7	915740000	TILT CYLINDER	1
8	915770008	HOSE ASSY, 6AT2(6T90S-8MJ) HCL 42	2
9	916760001	HYD TUBE ASSY	2
10	946760006	HYDTUBE ASSY. STINGER TILT A PORT	1
11	946760007	HYD TUBE ASSY. STINGER TILT B PORT	1
12	946760018	HYD TUBE ASSY. 1/2" END SECTION	2
13	946760019	HYD TUBE ASSEMBLY	2
14	946770003	HOSE ASSEMBLY, 45" LG	2

# Section I - PARTS (cont'd)

## SUBFRAME HYDRAULICS



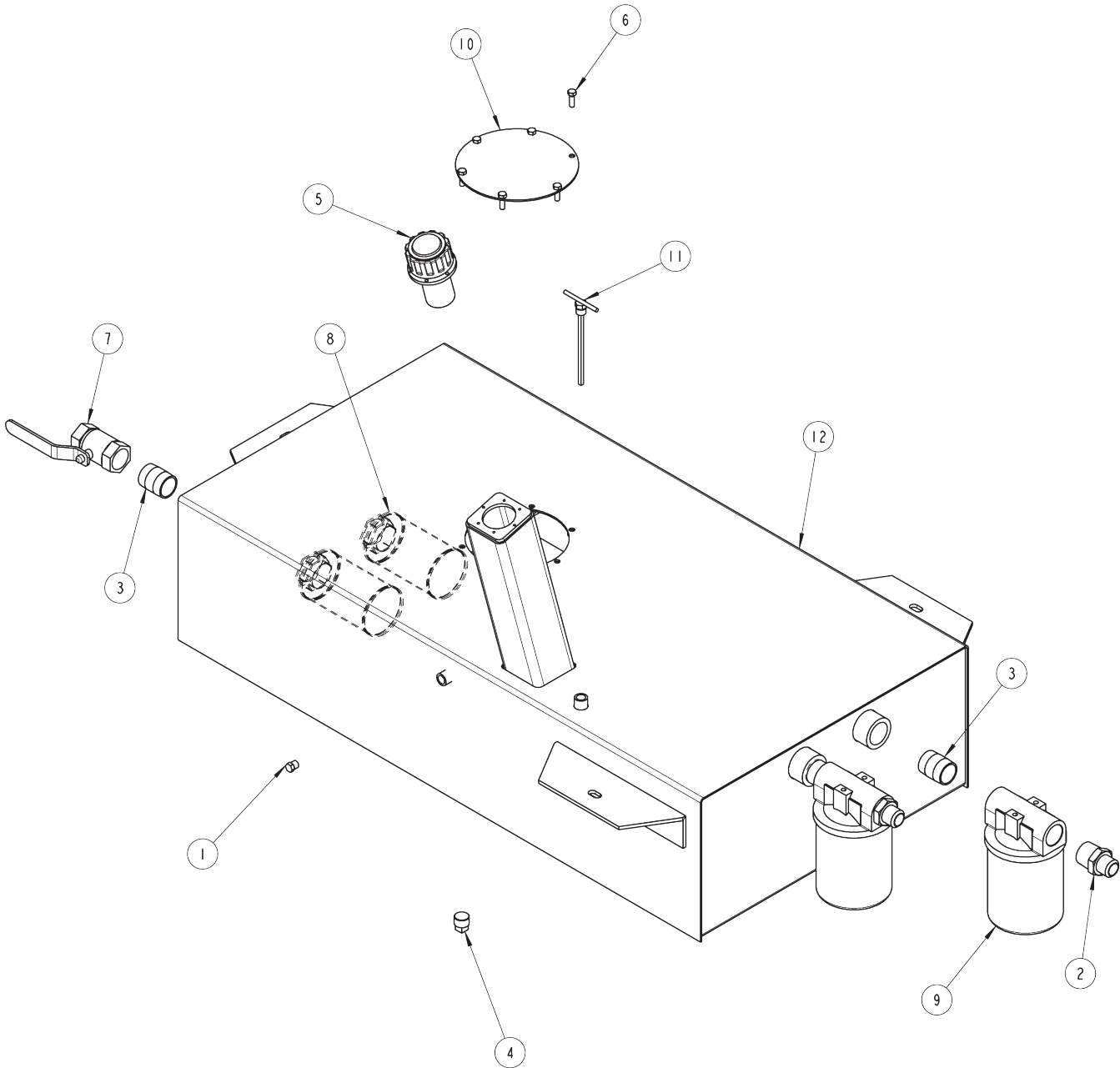
## Section I - PARTS (cont'd)

### SUBFRAME HYDRAULICS

ITEM	PART NUMBER	DESCRIPTION	QTY
1	0300649	CONNECTOR, 12MJ-12MJ	4
2	0301619	BRANCH TEE, 6MJ-6MJ-6MB	2
3	0302083	16MJ-12MB 90 ELBOW	2
4	0302205	GAUGE, FLUSH MOUNT 6000 PSI	4
5	0302577	CONNECTOR, 6MJ-4FP	4
6	0302696	CONNECTOR, 16MJ-20MP	2
7	0302901	HOSE ASSEMBLY, 120" LG	2
8	0303394	HOSE ASSEMBLY, 46" LG	4
9	0306538	HOSE BARB, 20HOSE-20MP	2
10	0306539	HOSE BARB, 20HOSE-16MB90	2
11	0306984	ELBOW, 12MJ-12MB90	2
12	0310010	SUCTION HOSE, 1-1/2" I.D. 100R4	2
13	0310837	HYD TUBE, RETURN REAR VALVE	1
14	0310839	HYD TUBE, PRESSURE TO VALVE	1
15	9012968	CONNECTOR, 8MJ-10MB	2
16	9015571	BALL VALVE, 1-1/4"	2
17	9016021	VALVE 6 SPOOL	1
18	9016022	VALVE 2 SPOOL	1
19	9016815	MUNCIE PUMP TSPKS17-17-2B	1
20	9018140	FILTER ASSEMBLY, SPIN-ON	2
21	915770017	HOSE_ASSEMBLY	2
22	915780000	HYDRAULIC TANK ASSY	1
23	946760001	HYD TUBE ASSY	1
24	946760012	HYD TUBE ASSY, RETURN	1
25	946760016	HYD TUBE ASSY	2

# Section I - PARTS (cont'd)

## HYDRAULIC TANK ASSEMBLY

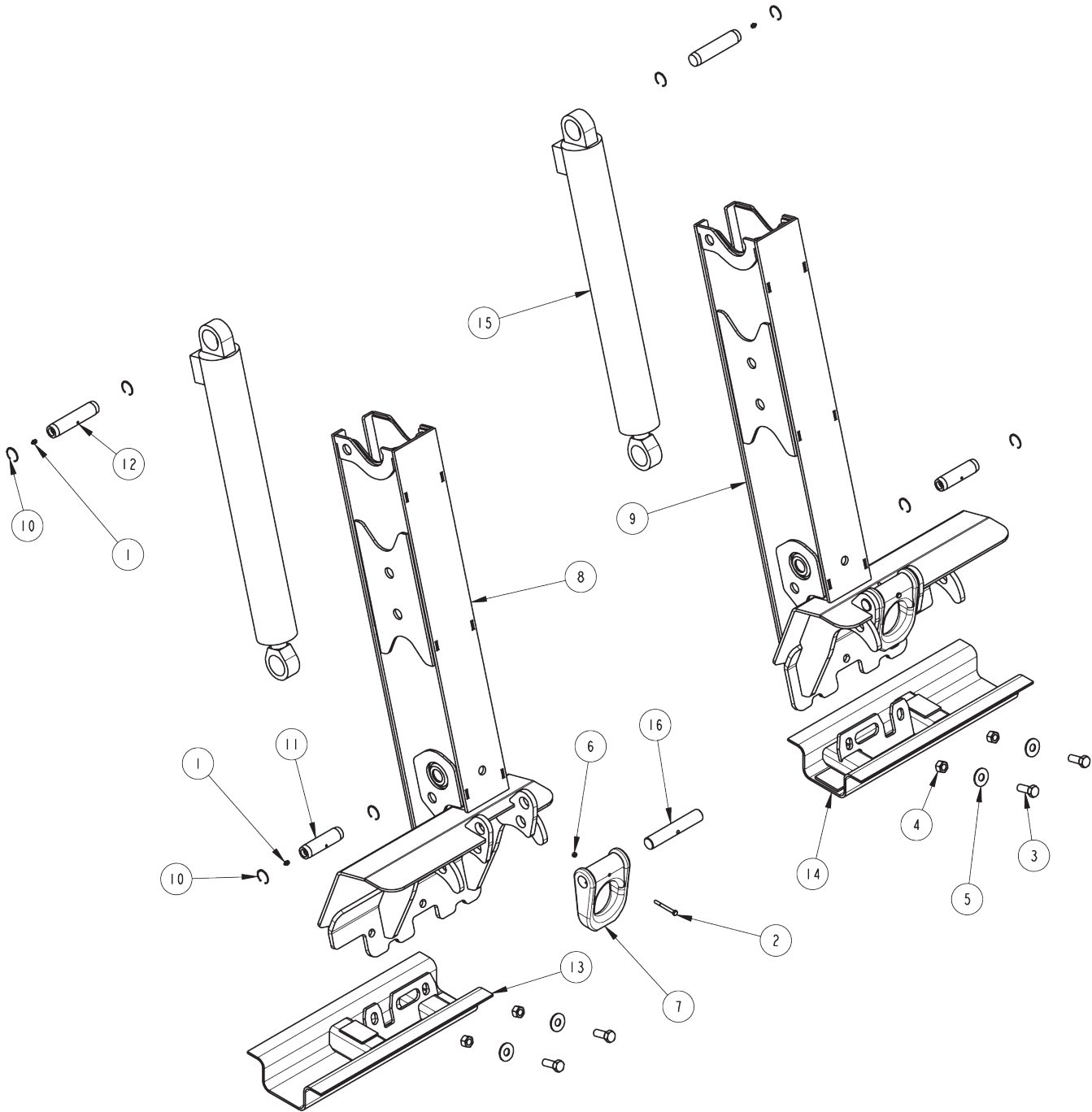


## Section I - PARTS (cont'd)

### HYDRAULIC TANK ASSEMBLY

ITEM	PART NUMBER	DESCRIPTION	QTY
1	0301618	FITTING, BRASS PLUG 1/4	1
2	0302696	CONNECTOR, 16MJ-20MP	2
3	0302699	PIPE NIPPLE - 1-1/4 X 2	4
4	0303155	PIPE PLUG - 3/4 NPT (MAGNETIC)	1
5	0305006	FILLER CAP	1
6	0400109	5/16-18 X 1 HHCS GR5 ZP	6
7	9015571	BALL VALVE 1-1/4"	2
8	9018139	SUCTION STRAINERS	2
9	9018140	FILTER ASSEMBLY, SPIN-ON	2
10	9401408	INSPECT COVER	1
11	9401418	DIPSTICK WELDMENT	1
12	915780500	HYDRAULIC TANK WELDMENT	1

**Section I - PARTS (cont'd)**  
**STANDARD JACKLEG ASSEMBLY**



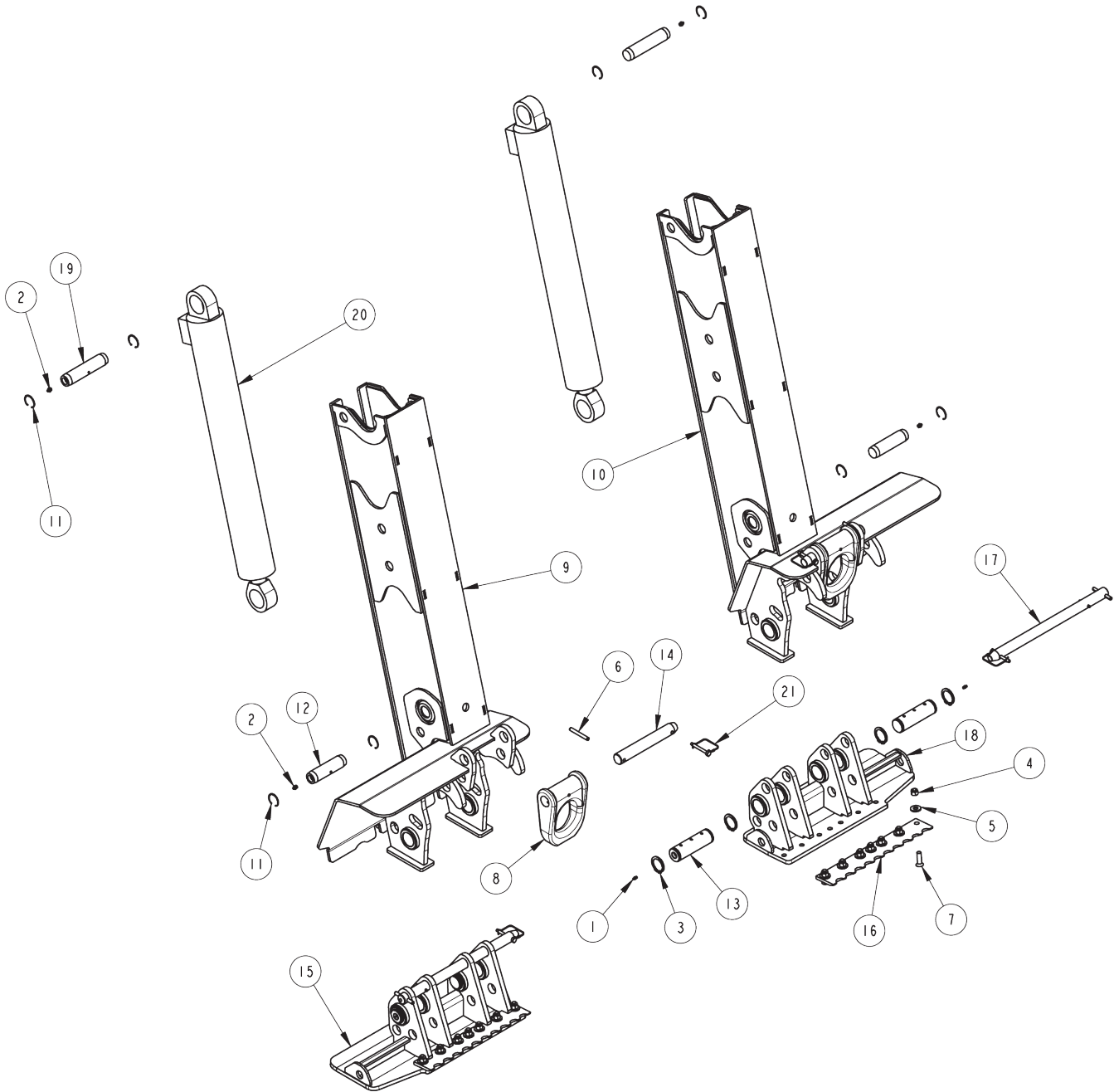
**Section I - PARTS (cont'd)**

**STANDARD JACKLEG ASSEMBLY**

ITEM	PART NUMBER	DESCRIPTION	QTY
1	0301895	GREASE FITTING, 1/8 NPT STRAIGHT	6
2	0400114	5/16-18 X 3 HHCS GR 5 ZP	2
3	0400283	3/4-10 X 2 GR8 HHCS	4
4	0400438	3/4-10 HEX NUT ZP	4
5	0400490	3/4 FLAT WASHER GR.8	4
6	0400776	5/16-18 HEX NUT JAM NYLOK	2
7	0719585	"D" RING - TOWING	2
8	0807947	LH JACK LEG WELDMENT - STANDARD	1
9	0807948	RH JACK LEG WELDMENT - STANDARD	1
10	9054150	SNAP RING, 1-1/4" NOM INTERNAL	8
11	920900007	PIN, LOWER STIFFLEG CYLINDER	2
12	930350001	PIN, UPPER STIFFLEG	2
13	945550500	LH STABILIZER WELDMENT	1
14	945557500	RH STABILIZER WELDMENT	1
15	945720000	STIFF LEG CYLINDER - 45	2
16	GA0215	PIN, D RING	2

Section I - PARTS (cont'd)

JACKLEG ASSEMBLY W/ FLIPPER FEET





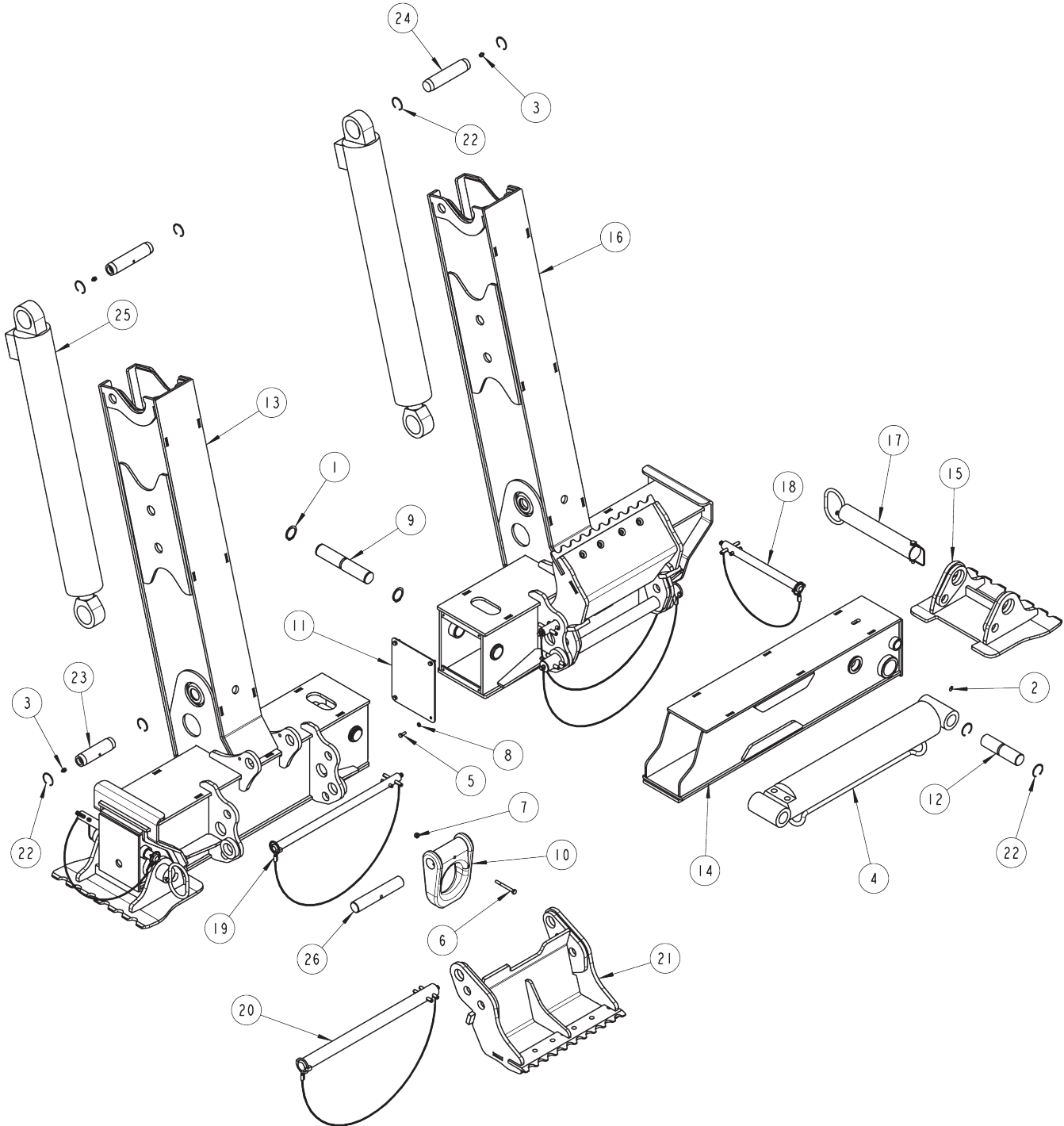
**Section I - PARTS (cont'd)**

**JACKLEG ASSEMBLY W/ FLIPPER FEET**

ITEM	PART NUMBER	DESCRIPTION	QTY
1	0300113	GREASE FITTING, 1/4-28 STRAIGHT	4
2	0301895	GREASE FITTING, 1/8 NPT STRAIGHT	6
3	0310121	RETAINING RING, 1-1/2"	8
4	0400416	1/2-13 NYLOCK HEX NUT GR.8, ZP	14
5	0400497	1/2 FLAT WASHER GR 8 ZP	14
6	0400568	3/8 X 3 ROLL PIN ZP	2
7	0400774	1/2-13 X 1 FLAT HEAD SOCKET CAP SCR	14
8	0719585	"D" RING - TOWING	2
9	0807725	LH JACK LEG WELDMENT	1
10	0807726	RH JACK LEG WELDMENT	1
11	9054150	SNAP RING, 1-1/4" NOM INTERNAL	8
12	920900007	PIN, LOWER STIFFLEG CYLINDER	2
13	930230101	PIN - SWIVEL PADS	4
14	930230103	PIN - D RING - INNER LEG FLIPPER TYPE	2
15	930232000	FLIPPER PAD WELDMENT -INNER LEG (LH)	1
16	930232005	BLADE FLIPPER PAD WELDMENT	2
17	930233000	PIN ASSEMBLY, LOCK FLIPPER FEET	2
18	930239000	FLIPPER PAD WELDMENT -INNER LEG (RH)	1
19	930350001	PIN, UPPER STIFFLEG	2
20	945720000	STIFF LEG CYLINDER - 45	2
21	HD1259	PIN, SAFETY SNAP	2

# Section I - PARTS (cont'd)

## REAR OUTRIGGER OPTION



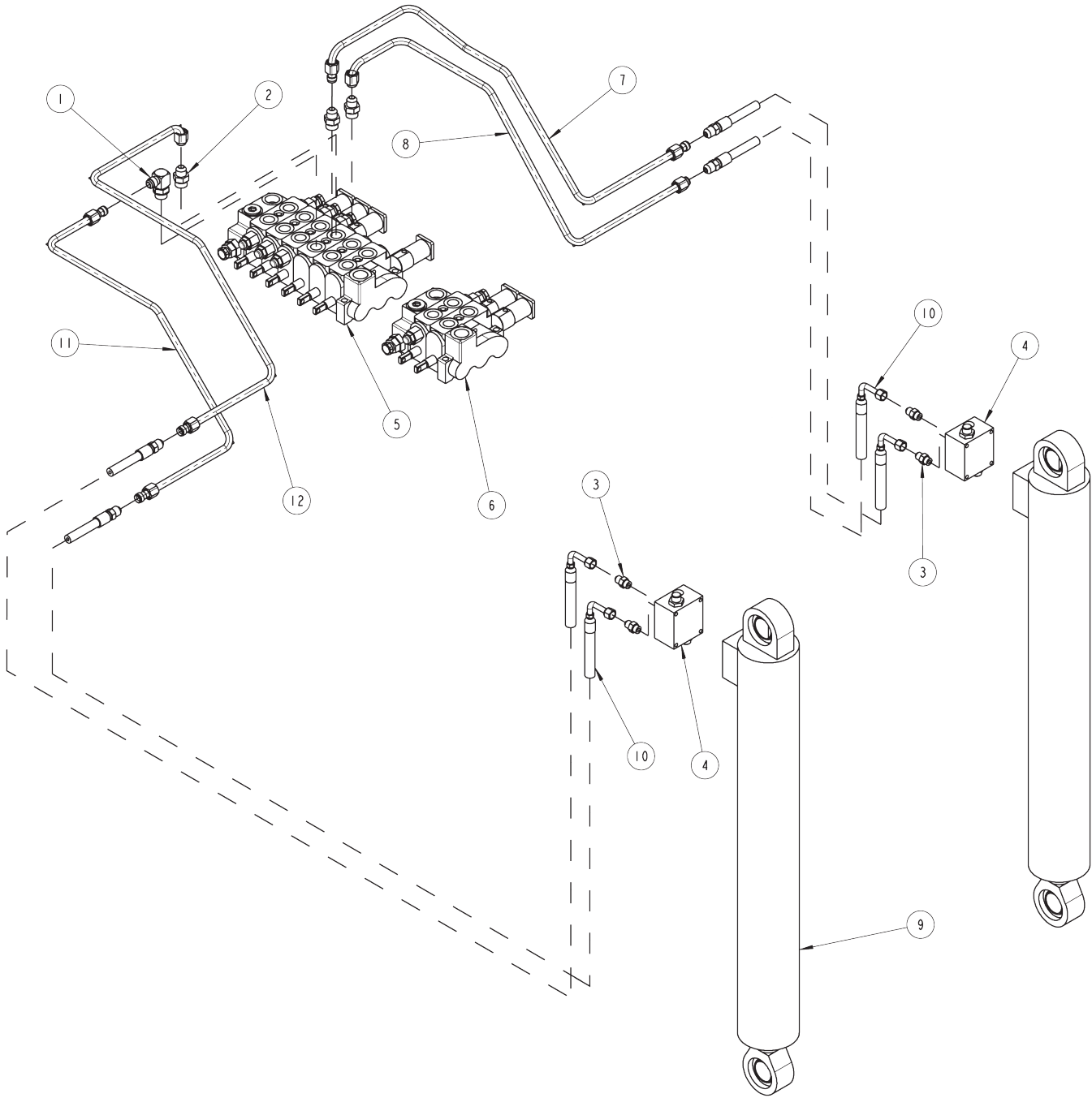
## Section I - PARTS (cont'd)

### REAR OUTRIGGER OPTION

ITEM	PART NUMBER	DESCRIPTION	QTY
1	0300109	RETAINING RING, 1-1/2"	4
2	0300113	GREASE FITTING, 1/4-28 STRAIGHT	2
3	0301895	GREASE FITTING, 1/8 NPT STRAIGHT	6
4	0310145	CYLINDER ASSEMBLY	2
5	0400066	1/4-20 X 3/4 HHCS GR.5,ZP	16
6	0400114	5/16-18 X 3 HHCS GR 5 ZP	2
7	0400382	5/16-18 NYLOCK HEX NUT ZP	2
8	0400452	1/4 HELICAL LOCK WASHER ZP	16
9	0719540	PIN - EXTEND CYLINDER (BASE END)	2
10	0719585	"D" RING - TOWING	2
11	0724617	PLATE - OUTRIGGER COVER	2
12	0724635	PIN - EXTEND CYLINDER	2
13	0810030	LH REAR OUTER OUTRIGGER	1
14	0810033	REAR INNER OUTRIGGER WELD'T	2
15	0810035	REAR OUTRIGGER PAD WELDMT	2
16	0810047	RH REAR OUTER OUTRIGGER	1
17	0906963	PIN REAR OUTRIGGER PAD ASSY	2
18	0911122	RETAINER PIN ASSEMBLY	2
19	0911123	RETAINER PIN ASSEMBLY	2
20	0911124	RETAINER PIN ASSEMBLY	2
21	0911167	SPADE WELDMENT - REAR OUTRIGGER	2
22	9054150	SNAP RING, 1-1/4" NOM INTERNAL	12
23	920900007	PIN, LOWER STIFFLEG CYLINDER	2
24	930350001	PIN, UPPER STIFFLEG	2
25	945720000	STIFF LEG CYLINDER - 45	2
26	GA0215	PIN, D RING	2

# Section I - PARTS (cont'd)

## JACKLEG HYDRAULICS



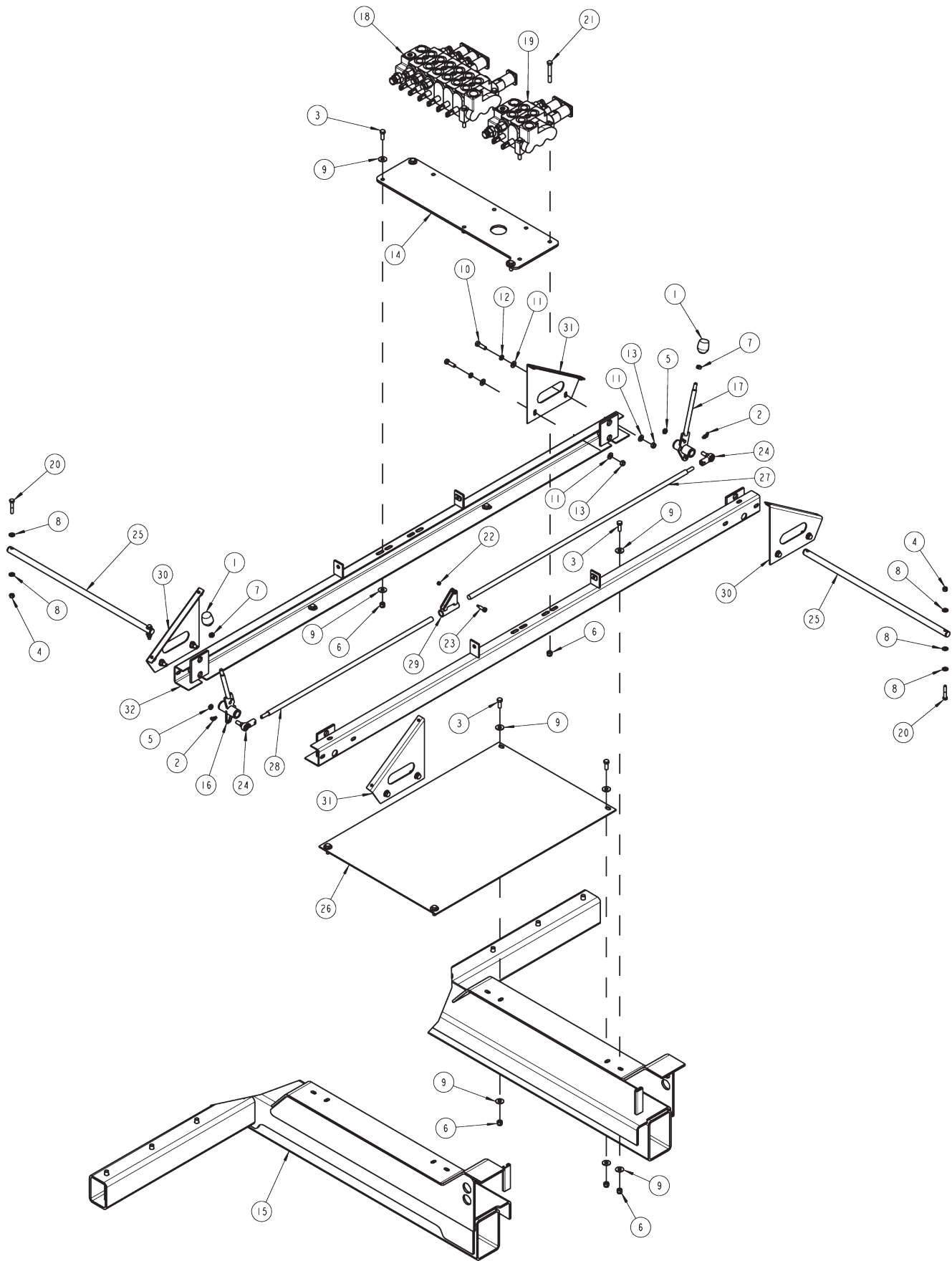
## Section I - PARTS (cont'd)

### JACKLEG HYDRAULICS

ITEM	PART NUMBER	DESCRIPTION	QTY
1	0300052	ELBOW, 8MJ-10MB90	1
2	0301376	CONNECTOR 8MJX10MB	3
3	0301522	CONNECTOR 6MJ-6MB	4
4	9015738	HOLDING VALVE	2
5	9016021	VALVE 6 SPOOL	1
6	9016022	VALVE 2 SPOOL	1
7	930760010	HYDRAULIC TUBE ASSEMBLY	1
8	930760011	HYDRAULIC TUBE ASSEMBLY	1
9	945720000	STIFF LEG CYLINDER	2
10	945770003	HOSE ASSEMBLY - STIFFLEG CYLINDER	4
11	946760008	HYDRAULIC TUBE ASSEMBLY	1
12	946760009	HYDRAULIC TUBE ASSEMBLY	1

# Section I - PARTS (cont'd)

## DUAL CONTROL ASSEMBLY



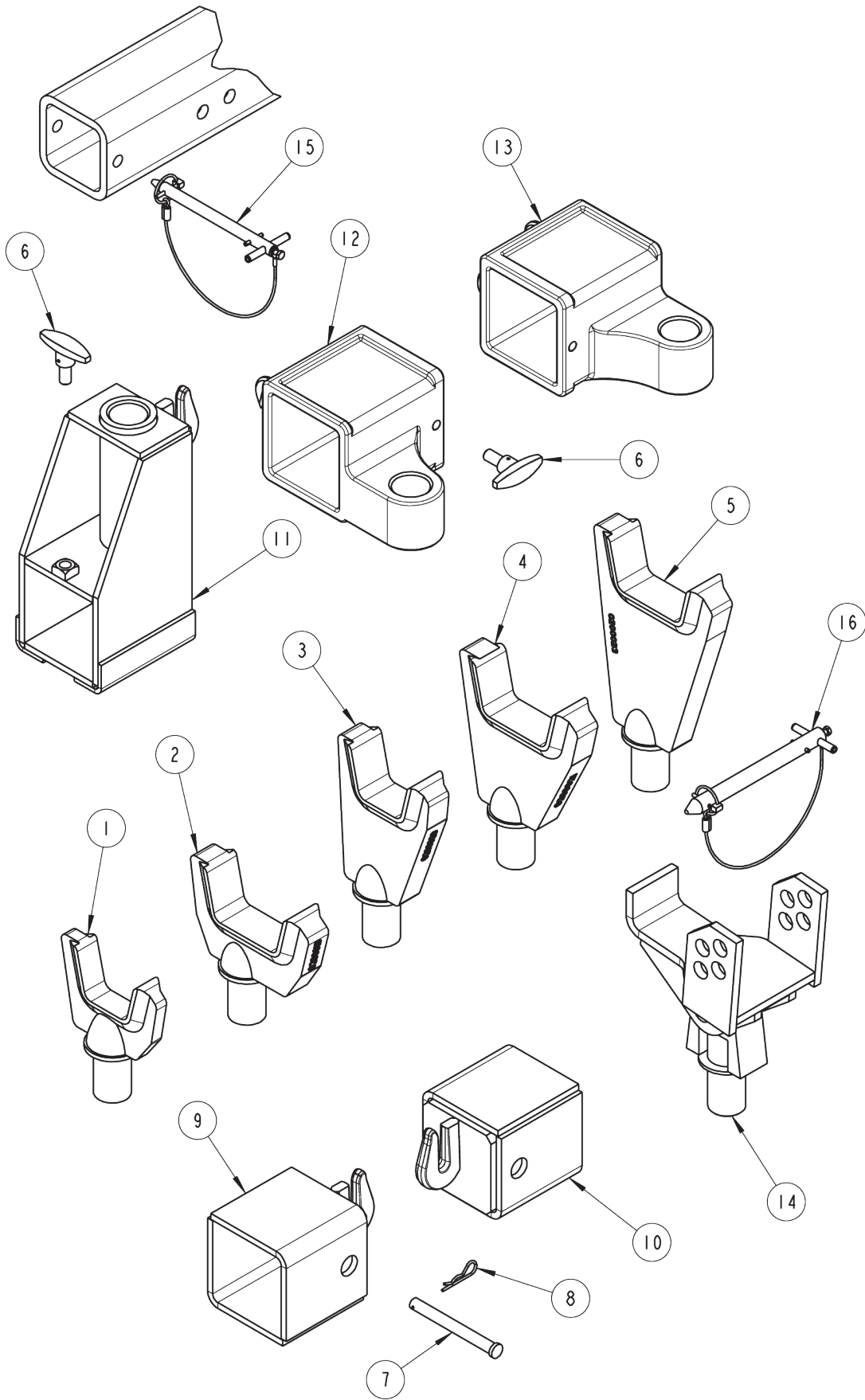
## Section I - PARTS (cont'd)

### DUAL CONTROL ASSEMBLY

ITEM	PART NUMBER	DESCRIPTION	QTY
1	0300341	KNOB, BLACK (BLANK)	16
2	0302726	GREASE FITTING, 1/4"-28 X 45°	16
3	0400126	3/8-16 X 1 HHCS GR.5,ZP	11
4	0400382	5/16-18 NYLOCK HEX NUT ZP	4
5	0400387	3/8-24 HEX JAM NUT ZP	16
6	0400392	3/8-16 NYLOCK HEX NUT ZP	17
7	0400393	3/8"-16 HEX JAM NUT	16
8	0400463	5/16 FLAT WASHER ZP	12
9	0400480	3/8 FLAT WASHER ZP	22
10	0402043	3/8-16 X 1-1/4 HHCS SS	8
11	0402120	3/8 FLATWASHER 316 SS	16
12	0402121	3/8 LOCKWASHER 316 STAINLESS	8
13	0402122	HEX NUT 316 STAINLESS	8
14	0723377	D.C.V. MTG. PLATE	1
15	0810080	NV-50 SUBFRAME	1
16	0907441	CONTROL HANDLE ASSY	8
17	0907442	CONTROL HANDLE ASSY	8
18	9016021	VALVE 6 SPOOL	1
19	9016022	VALVE 2 SPOOL	1
20	9041108	5/16-18 X 1-3/4 HHCS GR 8 ZP	4
21	9041212	3/8-16 X 2-3/4 LG. HHCS GR.8	6
22	9043371	3/8-16 NYLOCK HEX NUT ZP	8
23	9043713	M8 X 20 SOCKET SHOULDER BOLT	8
24	9048513	SPHERICAL ROD END	16
25	930400001	PIVOT PIN	2
26	930400009	PLATE- BOTTOM	1
27	930400012	RH CONTROL ROD (SHORT)	8
28	930400013	LH CONTROL ROD (SHORT)	8
29	930402600	SHORT LUG WELDMENT	8
30	942480300	LH MTG ANGLE WELDMENT	2
31	942487300	RH MTG ANGLE WELDMENT	2
32	946400600	CHANNEL WELDMENT	2

# Section I - PARTS (cont'd)

## LIFT ADAPTERS





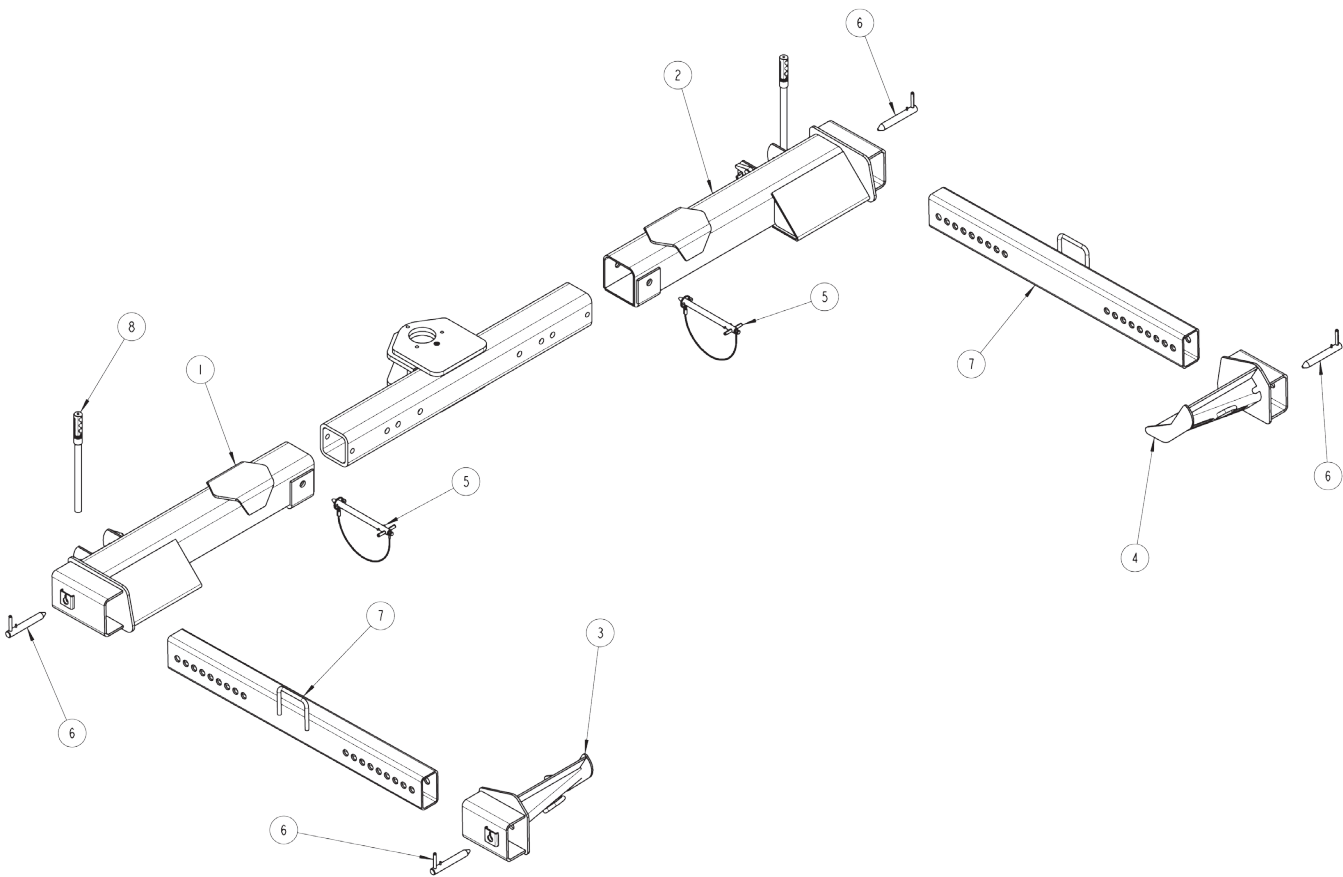
## Section I - PARTS (cont'd)

### LIFT ADAPTERS

ITEM	PART NUMBER	DESCRIPTION	QTY
1	0200018	FORK, SHORT (3" OPENING)	2
2	0200019	FORK, SHORT (3" OPENING)	2
3	0200020	FORK, MEDIUM (3" OPENING)	2
4	0200021	FORK, MEDIUM (3" OPENING)	2
5	0200023	FORK, LONG (3" OPENING)	2
6	0306564	T HANDLE	4
7	0310230	CLEVIS PIN, 5/8 X 6 ZP	2
8	0400886	COTTER PIN, 1-1/4" HAIR PIN	2
9	0801186	CHAIN ADAPTER, RIGHT	1
10	0801187	CHAIN ADAPTER, LEFT	1
11	0801459	RISER BRACKET, HDU	2
12	0803591	LH OFFSET FORK RECIEVER	1
13	0803592	RH OFFSET FORK RECIEVER	1
14	0807023	PIVOT SPRING LIFT BRACKET, EXTRA WIDE	2
15	0900900	RETAINING PIN ASSEMBLY	2
16	0908672	RETAINING PIN, SPRING LIFT	2

Section I - PARTS (cont'd)

5X5 BUS LIFT ASSEMBLY



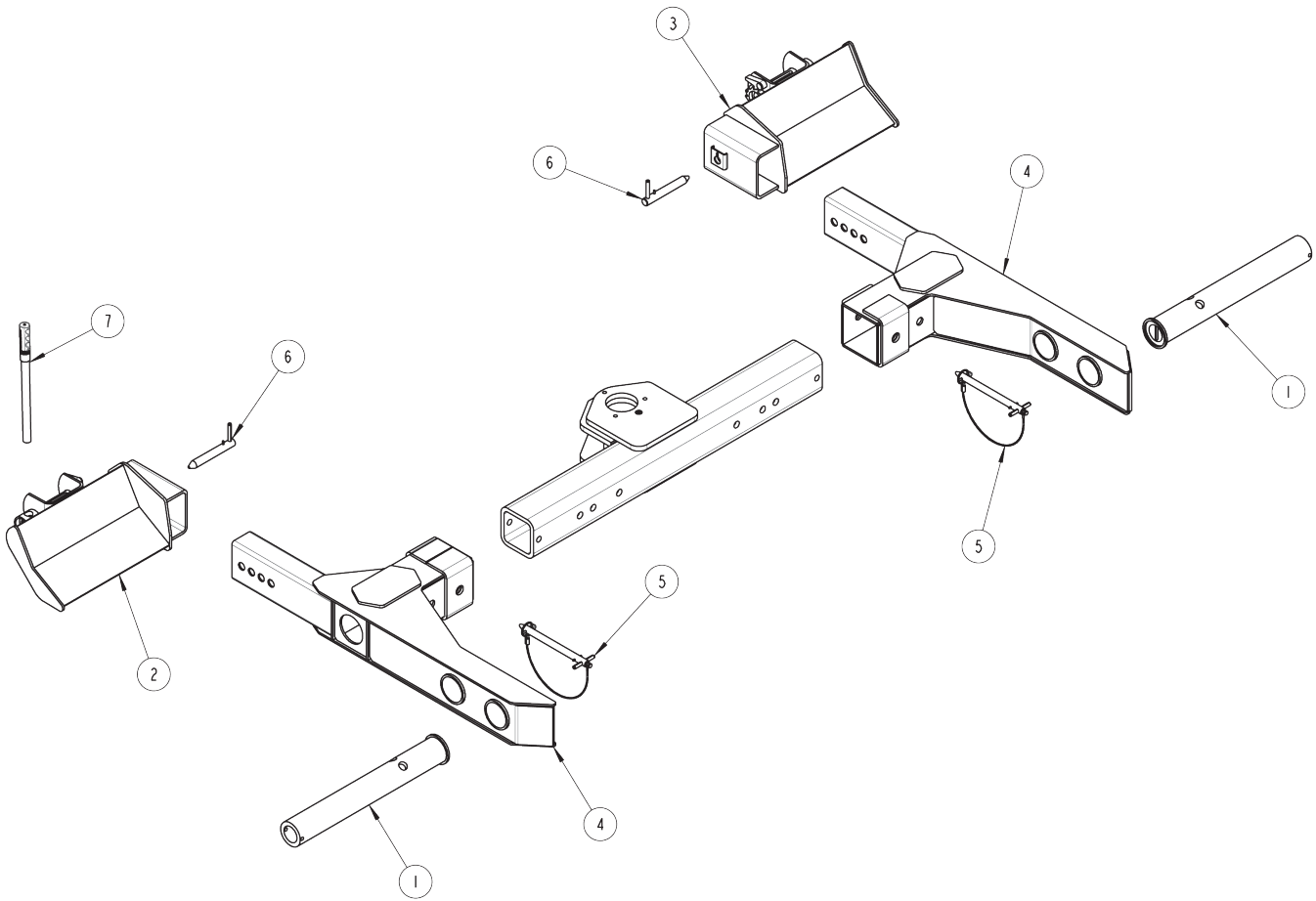
# Section I - PARTS (cont'd)

## 5X5 BUS LIFT ASSEMBLY

ITEM	PART NUMBER	DESCRIPTION	QTY
1	0804491	OUTER CROSSTUBE-WELDMENT-LH 5"	1
2	0804492	OUTER CROSSTUBE-WELDMENT-RH 5"	1
3	0804495	SUPPORT - TIRE WELDMENT-LH	1
4	0804496	SUPPORT - TIRE WELDMENT-RH	1
5	0902947	PIN- RETAINER ASSY	2
6	0903089	PIN-RETAINER ASSY	4
7	0903480	TUBE - ADJUSTMENT & DECAL	2
8	945520100	RATCHET HANDLE ASSY - BUS LIFT	1
9	945525000	BUS LIFT WHEEL STRAP ASSY (NS)	1

Section I - PARTS (cont'd)

EURO BUS LIFT ASSEMBLY



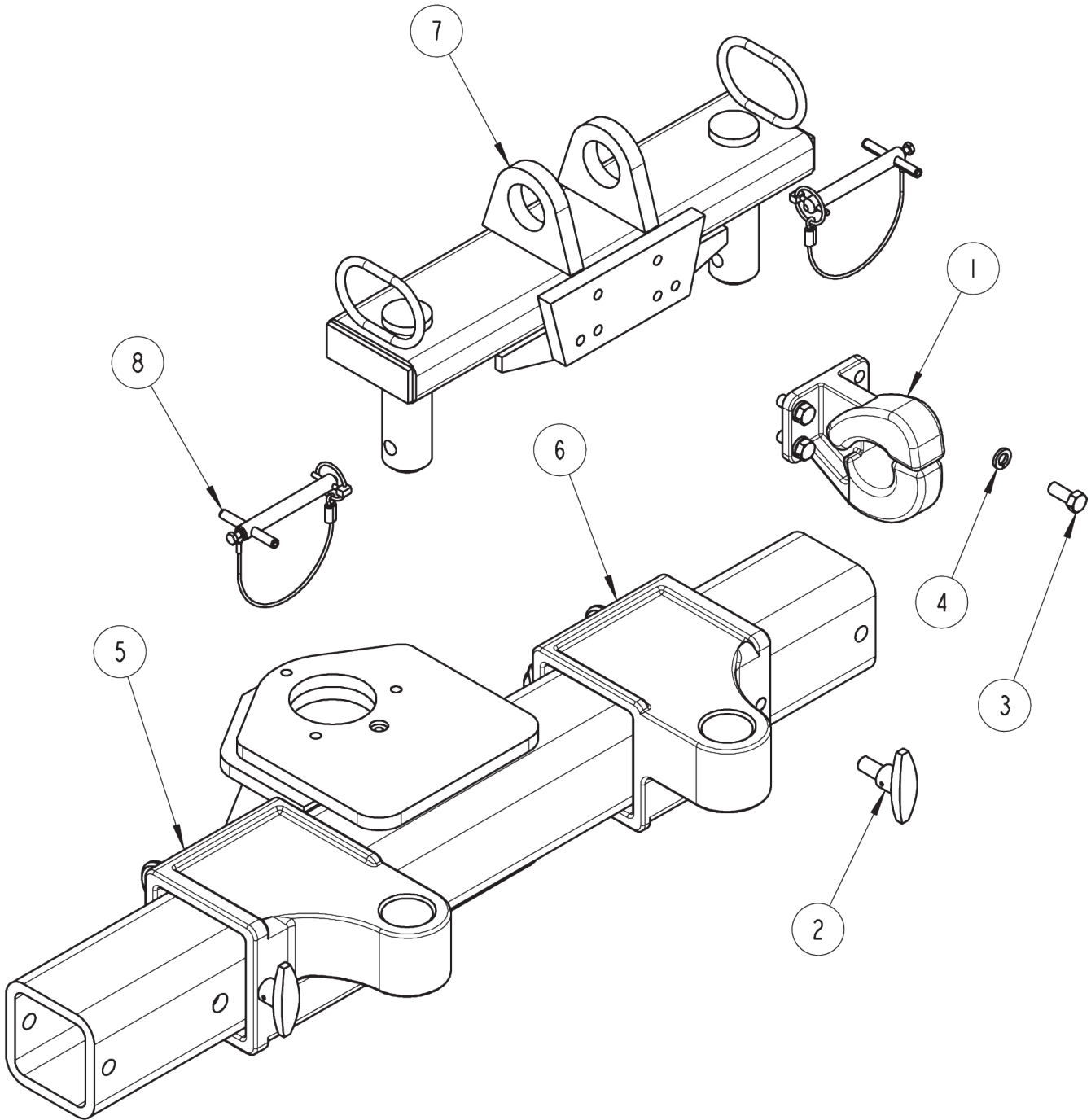
# Section I - PARTS (cont'd)

## EURO BUS LIFT ASSEMBLY

ITEM	PART NUMBER	DESCRIPTION	QTY
1	0804499	TIRE SUPPORT TUBE WELDMENT	2
2	0804501	SUPPORT - TIRE WELDMENT-LH	1
3	0804502	TIRE SUPPORT PLATE ASSY (RH)	1
4	0805974	ARM WELDMENT	2
5	0902947	PIN- RETAINER ASSY	2
6	0903089	PIN-RETAINER ASSY	2
7	945520100	RATCHET HANDLE ASSY - BUS LIFT	1
9	945525000	BUS LIFT WHEEL STRAP ASSY (NS)	1

Section I - PARTS (cont'd)

PINTLE HOOK ADAPTER



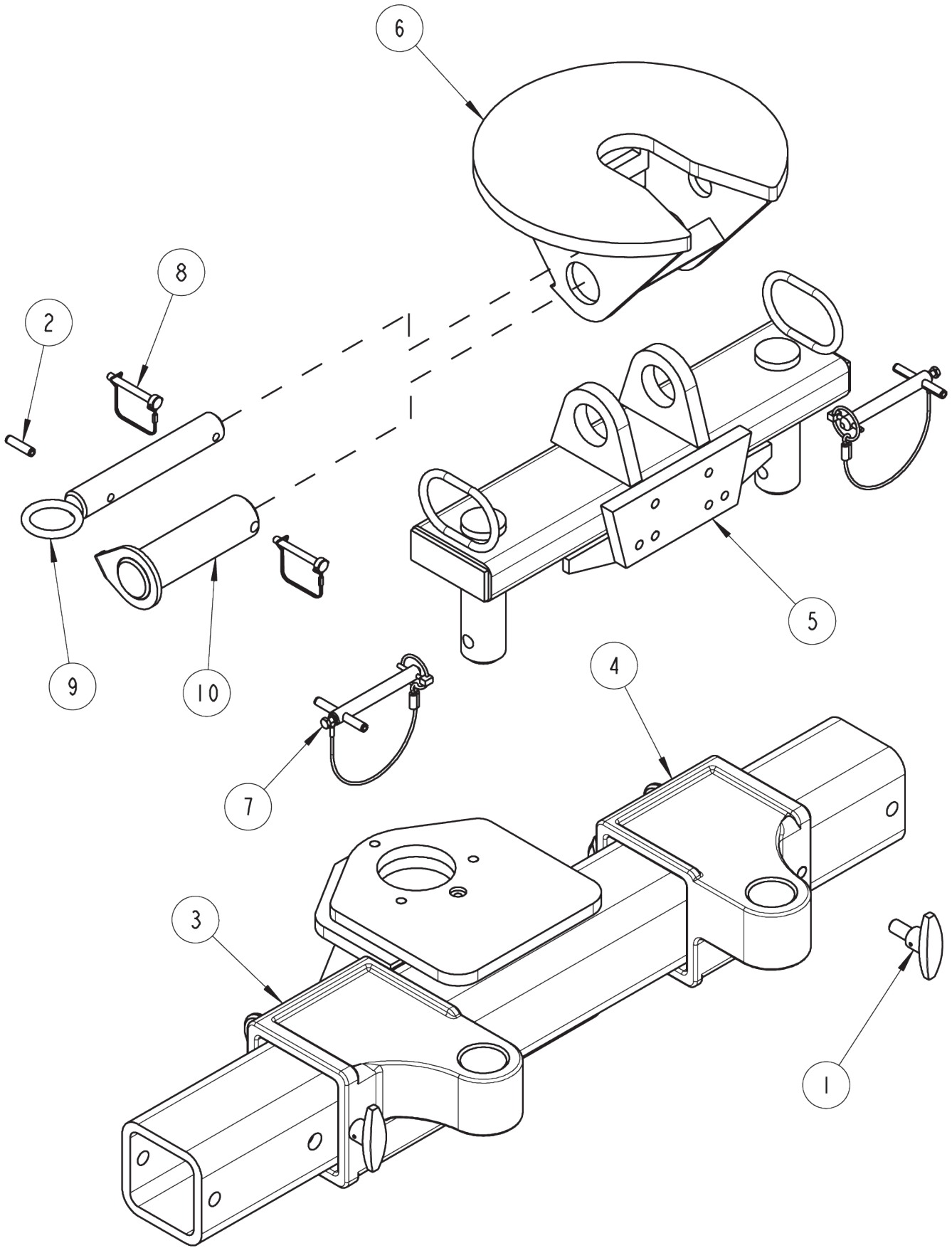
## Section I - PARTS (cont'd)

### PINTLE HOOK ADAPTER

ITEM	PART NUMBER	DESCRIPTION	QTY
1	0302198	PINTLE HOOK	1
2	0306564	T HANDLE	2
3	0400177	1/2-13 X 1 1/4 HHCS GR 5, ZP	4
4	0400491	1/2 HELICAL LOCK WASHER ZP	4
5	0803591	LH OFFSET FORK RECIEVER	1
6	0803592	RH OFFSET FORK RECIEVER	1
7	0803831	5TH WHEEL & KING PIN ADAPTER	1
8	0902378	RETAINER PIN ASSEMBLY, 3224	2

Section I - PARTS (cont'd)

5TH WHEEL ADAPTER





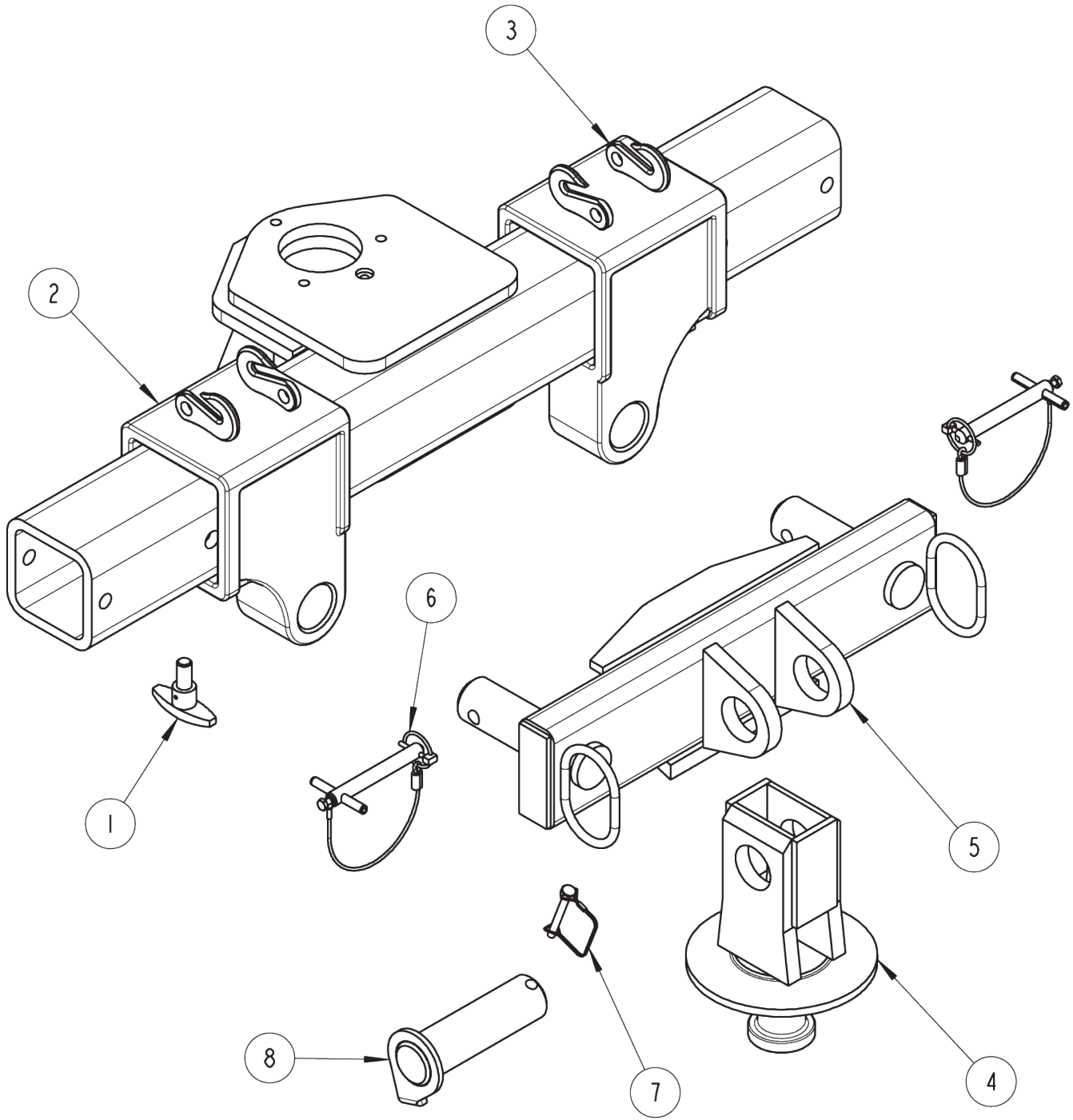
**Section I - PARTS (cont'd)**

**5TH WHEEL ADAPTER**

ITEM	PART NUMBER	DESCRIPTION	QTY
1	0306564	T HANDLE	2
2	0400555	3/8 X 1-1/2 ROLL PIN ZP	1
3	0803591	LH OFFSET FORK RECIEVER	1
4	0803592	RH OFFSET FORK RECIEVER	1
5	0803831	5TH WHEEL & KING PIN ADAPTER	1
6	0804053	5TH WHEEL PIVOT PLATE WELDMENT	1
7	0902378	RETAINER PIN ASSEMBLY, 3224	2
8	HD1259	PIN, SAFETY SNAP	2
9	VA0661	PULL PIN WELDMENT	1
10	VA0662	PIVOT PIN WELDMENT	1

Section I - PARTS (cont'd)

KING PIN ADAPTER



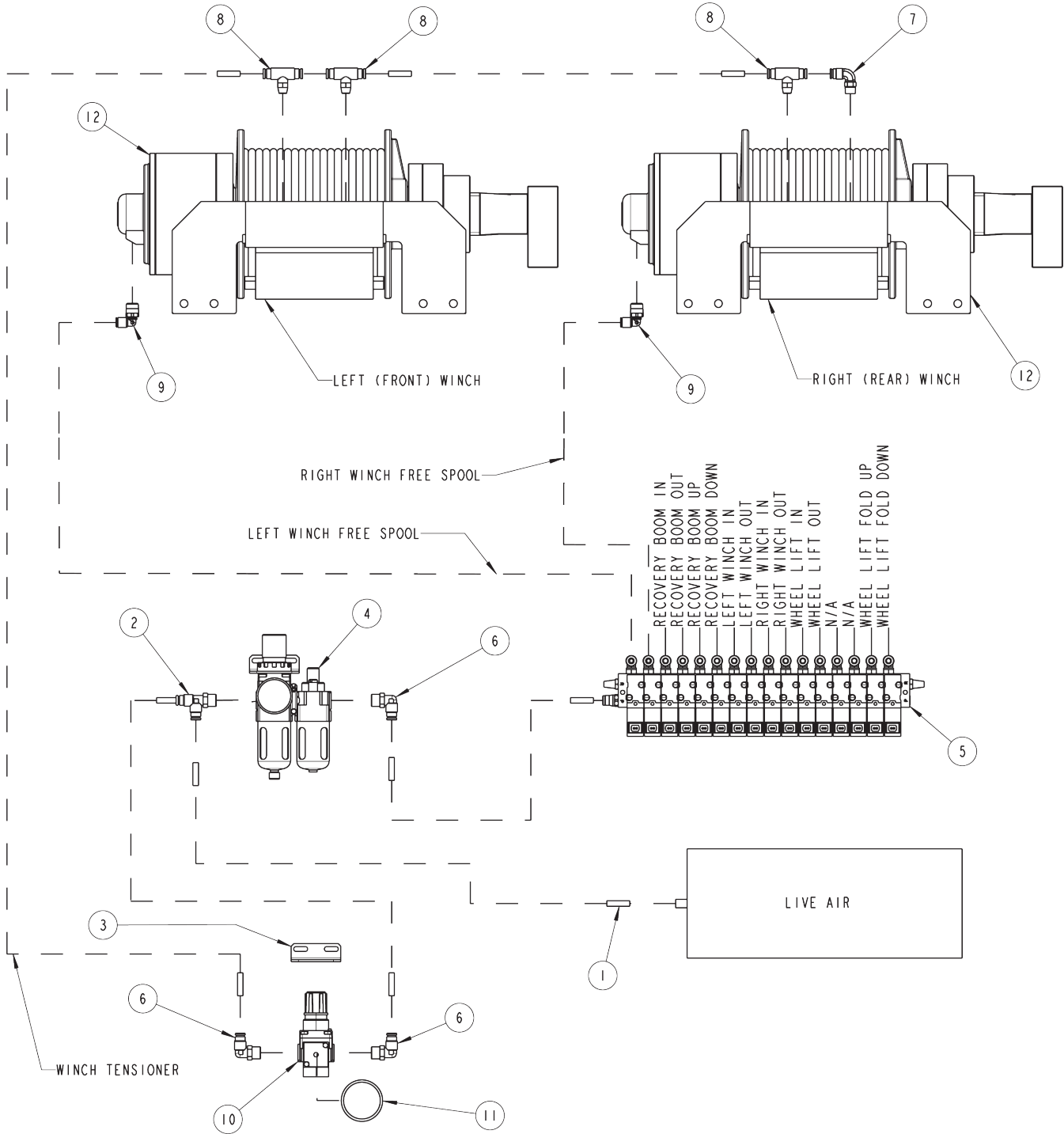
## Section I - PARTS (cont'd)

### KING PIN ADAPTER

ITEM	PART NUMBER	DESCRIPTION	QTY
1	0306564	T HANDLE	2
2	0803591	LH OFFSET FORK RECIEVER	1
3	0803592	RH OFFSET FORK RECIEVER	1
4	0803605	ADAPTER - KINGPIN WELDMENT	1
5	0803831	5TH WHEEL & KING PIN ADAPTER	1
6	0902378	RETAINER PIN ASSEMBLY, 3224	2
7	HD1259	PIN, SAFETY SNAP	1
8	VA0662	PIVOT PIN WELDMENT	1

# Section I - PARTS (cont'd)

## AIR SYSTEM



**Section I - PARTS (cont'd)**

**AIR SYSTEM**

ITEM	PART NUMBER	DESCRIPTION	QTY
1	0301577	TUBING- PLASTIC 1/4 OD X 5" AIR LINE	220 FT
2	0306983	MALE RUN TEE, 1/4T-1/4NPT MALE	1
3	0311365	BRACKET	2
4	0909085	KIT, AIR FLR/REG/LUBE COMBO 1/4	1
5	0910536	MNFLD PKG 16 VALVE 24VDC	1
6	9010520	ELBOW, 1/4T-1/4NPT MALE	3
7	9012537	ELBOW, 1/4 NPT X 3/8 TUBE 90	1
8	9012575	TEE FITTING AIR 1/4T-1/4T-1/8 MPX	3
9	9012623	ELBOW, 1/4 TUBE X 1/4 NPT 90	2
10	HA0131	AIR FILTER / REGULATOR COMBO	1
11	HA0132	GAUGE- AIR FILTER/REGULATOR	2
12	9048248	WINCH DP 2-SPD 25K NARROW DRUM	2

# Section I - PARTS (cont'd)

## PARTS LIST NV-50

ITEM	PART NUMBER	DESCRIPTION	QTY
--	9180000	NV-50 C/W DUAL DP WINCHES -NEW	
1	0906012	V-50 SHIPPING KIT-STANDARD CON	1
2	0908196	BASIC UNIT ASSY, NV-50	1
--	0906012	V-50 SHIPPING KIT-STANDARD CON	
3	0303056	D GASKET- H2 ADHESIVE	8
4	0306899	WIRE ROPE 5/8X6X37 IWRC XIPS	2
5	0307626	SAFETY CHAIN ASSY, 1/2X14' GR100	2
6	0310599	CRC HD CORROSION INHIBIT SPRAY	1
7	0400128	3/8-16X1.25 FLAT HD SOC	12
8	0501134	NV-50 OWNERS MANUAL	1
9	0904217	HARDWARE-BODY MOUNTING	1
10	0908202	KIT, FORK - VULCAN LWRK	1
11	0908203	KIT, HDU CHAIN ADAPTER -VUL LWRK	1
12	0908204	KIT, HDU RISER BRACKET -VUL LWRK	1
13	0908205	KIT, SPRG LIFT BRACKET -VUL LWRK	1
14	0908206	KIT, FORK ADAPTER -VUL LWRK	1
15	0908207	KIT, PUMP -VUL LWRK	1
16	0908208	KIT, MOUNTING -VUL LWRK	1
17	0911146	PURCHASED SHIP KIT-VULCAN HVY	1
18	0911148	VULCAN HD ADDTL BOLT KIT	1
19	915990300	V-50 DECALS	1
20	920051108	NYLATRON GUIDE PAD	2
21	9401902	TRAILER RECOVERY LOOP (EA)	1
--	0904217	HARDWARE-BODY MOUNTING	
	0400286	3/4-10X2.75" HHCS GR 8 GOLD	44
	0400301	7/8-9X3 HHCS GR5 ZP	4
	0400431	3/4-10 NYLOK HEX GR 8 ZP	44
	0400436	7/8-9 NYLOK HEX NUT ZP	4
	0908202	KIT, FORK - VULCAN LWRK	
	0200018	FORK-SHORT, 3IN OPNG	2
	0200019	FORK-SHORT, 4-1/2IN OPNG	2
	0200020	FORK-MED, 3IN OPNG	2
	0200021	FORK-MED, 4-1/2IN OPNG	2
	0200023	FORK-LONG, 4-1/2IN OPNG	2
	0200058	FORK-AXLE	2
	945539000	6 3/4 CURVED FORK (EACH)	2
	0908203	KIT, HDU CHAIN ADAPTER -VUL LWRK	
	0310230	CLEVIS PIN, 5/8 X 6 ZINC PLT	2
	0400886	HITCH PIN CLIP,1/8 DIA X2.6 OAL	2
	0801186	ADAPTER-HDU CHAIN (LH OR RH)	1
	0801186	ADAPTER-HDU CHAIN (LH OR RH)	1
	0908204	KIT, HDU RISER BRACKET -VUL LWRK	
	0306564	ALUM T HANDLE 5/8" X 1-1/4"	2
	0801459	BRACKET-RISER-HDU	2

## Section I - PARTS (cont'd)

### PARTS LIST NV-50 (cont'd)

ITEM	PART NUMBER	DESCRIPTION	QTY
	0908205	KIT, SPRG LIFT BRACKET -VUL LWRK	
	0807023	BRACKET-PIVOT SPRING LIFT	2
	0908672	PIN-RET.-SPRING LIFT	2
	0908672	PIN-RET.-SPRING LIFT	
	0302474	PIN, LINCH 3/16	1
	0311167	3/16 SWAGE FOR 1/8 COATED CABL	1
	0311210	CABLE, PIN RETAINER ASSY .125	1
	0400568	3/8X3" ROLL PIN ZP	1
	0400573	3/16X1-1/4 ROLL PIN ZP	1
	0402020	1/4-20NC X 3/4 HEX HD SS	1
	0718917	PIN, RETAINER	1
	0908206	KIT, FORK ADAPTER -VUL LWRK	
	0306564	ALUM T HANDLE 5/8" X 1-1/4"	2
	0803591	ADAPTER-LEFT FORK	1
	0803592	ADAPTER-RIGHT FORK	1
	0900900	PIN-ASSY, RETAINER	2
	0900900	PIN-ASSY, RETAINER	1
	0302474	PIN, LINCH 3/16	1
	0311167	3/16 SWAGE FOR 1/8 COATED CABL	1
	0311210	CABLE, PIN RETAINER ASSY .125	1
	0400568	3/8X3" ROLL PIN ZP	1
	0400573	3/16X1-1/4ROLL PIN ZP	1
	0402020	1/4-20NC X 3/4 HEX HD SS	1
	0703426	PIN,RETAINER	1
	0908207	KIT, PUMP -VUL LWRK	
	0302901	HOSE HYD, 120" 12C12	2
	0307995	HOSE, HYD 103" LG	2
	0310010	SUCTION HOSE,1-1/4ID X50 100R4	1
	9016815	MUNCIE PUMP TSPKS17-17-2BSSB	1
	0908208	KIT, MOUNTING -VUL LWRK	
	920000501	REAR MOUNTING PLATE	2
	9401501	FRONT MTG. PLATE	2
	9401530	FRONT MTG. BRACKET LOWER	2
	9401540	FRONT MTG. BRACKET UPPER	2
	0911146	PURCHASED SHIP KIT-VULCAN HVY	
	0300341	KNOB, BLACK (BLANK)	12
	0307604	KNOB, RED LONG - SK0700-07	4
	0902333	KIT-GLAD HAND	1
	0904183	KIT-AIR TENSIONER	1
	0906024	KIT BOX, V100 SHIP-DUAL CNTRL	1
	0908209	KIT, MUDFLAP -VUL LWRK	1
	0908550	KIT, SAFETY TREAD DECAL-VULCAN	1

## Section I - PARTS (cont'd)

### PARTS LIST NV-50 (cont'd)

ITEM	PART NUMBER	DESCRIPTION	QTY
	0902333	KIT-GLAD HAND	
	0301909	RECEPTACLE BOOT	1
	0301946	FITTING, BLKHD CONNECT	2
	0301948	HD 7 WAY TRAILER CONNECT	1
	0304363	QUICK DISCONNECT 1/2 FPT	2
	0400070	1/4-20X1 HHCS GR5 ZP	2
	0400367	1/4-20 NYLOK HEX NUT ZP	2
	0400451	1/4 FLATWASHER ZP	2
	0904183	KIT-AIR TENSIONER	
	0301577	1/4 OD PLASTIC AIRLINE, BLACK	25
	0302495	CONVOLUTED LOOM 1/4	25
	0311193	6" CABLE TIE	25
	0400062	1/4-20X3/4 THRD CUT HEX	2
	0700188	BRKT, BULKHEAD	2
	0909085	KIT,AIR FLR/REG/LUBE COMBO 1/4	1
	HA0132	GAUGE 0-160 PSIG	1
	0909085	KIT,AIR FLR/REG/LUBE COMBO 1/4	
	0306983	FITT-MALE RUNTEE 1/4T-1/4NPT	1
	0311367	INTERFACE ADAPTER	1
	0911210	ASSEMBLY-FILTER/REGULATOR COMB	1
	9010520	FITTING-ELBOW 1/4T-1/4NPT	1
	0911210	ASSEMBLY-FILTER/REGULATOR COMB	
	0311363	FILTER/REGULATOR COMBINATION	1
	0311365	BRACKET	1
	HA0132	GAUGE 0-160 PSIG	1
	0906024	KIT BOX, V100 SHIP-DUAL CNTRL	
	0906018	H.D. LIGHTING PARTS BAG	1
	0906028	H.D. FITTINGS BAG	1
	0906839	GROUND KIT MTG.HARNES VULCAN	1
	0907304	KIT - QUICK DISCONNECT AIR	1
	124002186	QUICK CONNECT AIR SUPPLY	1
	945990400	DUAL CONTROL COMMON DECA	1
	0906018	H.D. LIGHTING PARTS BAG	
	0303226	80 AMP CIRCUIT BREAKER	2
	9032096	DECORATIVE TRIM 7500036	25
	0906028	H.D. FITTINGS BAG	
	0300364	CLAMP-HOSE,0.875"-2.75" 50"LBS	4
	0300649	UNION, STRAIGHT 12MJ - 12MJ	4
	0302698	FITTING, HOSE BARB,1-1/4	2
	0303290	INSULATED CLAMP 2 1/2	10
	0303948	FTG-90DEG ELL 12MJ-16MB90	2
	0306539	HOSE BARB 20HOSE16MB90	2
	0400122	3/8-16X1.25 HHCS GR5 ZP	5
	0400392	3/8-16 NYLOK HEX NUT ZINC	5



## Section I - PARTS (cont'd)

### PARTS LIST NV-50 (cont'd)

ITEM	PART NUMBER	DESCRIPTION	QTY
	0906028	H.D. FITTINGS BAG (cont'd)	
	0400480	3/8 FLATWASHER ZP	5
	0906839	GROUND KIT MTG.HARNESS VULCAN	
	0400126	3/8-16X1 HHCS GR5 ZP	4
	0400382	5/16-18 NYLOK HEX NUT ZP	4
	0400481	3/8" EXT.Tooth LOCKWASHER	4
	0400495	5/8" EXT.Tooth LOCKWASHER	4
	0402122	3/8-16NC HEX NUT 316 SS	4
	0716468	LUG - GROUNDING	4
	0907304	KIT - QUICK DISCONNECT AIR	
	0301621	PRESSURE PROTECTION VLV.	1
	0301946	FITTING, BLKHD CONNECT	1
	0302123	HEX NIPPLE 4MP-4MP	1
	0302125	PIPE, BUSHING 1/2MPT X 1/4FPT	1
	0302534	FITTING, 45 DEG ELBOW	2
	0302740	AIR HOSE, 1/2" SYN FLEX DOT	20
	0303538	FITT, ADAPTER -BRASS 8FP-6MP	1
	0303539	QUICK DISCONNECT 3/8 FPT	1
	124002186	QUICK CONNECT AIR SUPPLY	
	0302740	AIR HOSE, 1/2" SYN FLEX DOT	20
	0311037	3/8" RED RUBER HOSE 50' PRECUT	1
	0910488	FITTINGS BOX, QUICK CONN AIR	1
	0910488	FITTINGS BOX, QUICK CONN AIR	
	0301621	PRESSURE PROTECTION VLV.	1
	0301946	FITTING, BLKHD CONNECT	1
	0302123	HEX NIPPLE 4MP-4MP	1
	0302125	PIPE, BUSHING 1/2MPT X 1/4FPT	1
	0302534	FITTING, 45 DEG ELBOW	2
	0303538	FITT, ADAPTER -BRASS 8FP-6MP	1
	0303539	QUICK DISCONNECT 3/8 FPT	1
	0303540	NIPPLE, QUICK DISCONNECT 3/8	1
	0303541	NIPPLE, QUICK DISCONNECT	1
	0303542	QUICK DISCONNECT - BARB	1
	945990400	DUAL CONTROL COMMON DECA	
	0500554	FLAG, AMERICAN LT	2
	0500686	DECAL - RETRACT CAUTION	1
	0500773	DECAL PLATE-THROTTLE	2
	0501101	DECAL-CTRL CABLE SPEED	4
	0501157	TAG-CAUTION WINCH CABLE DAMAGE	4
	9033194	WARNING DECAL MOVING PAR	2
	9033196	WARN.DECAL,DONT WALK UND	2
	9033197	WARNING DECAL-CABLE TENS	2
	9033198	DECAL-SAFETY CHAINS	2
	9033212	NAME PLATE- VULCAN 4 X1	4
	9033575	DECAL - REMOTE	2

## Section I - PARTS (cont'd)

### PARTS LIST NV-50 (cont'd)

ITEM	PART NUMBER	DESCRIPTION	QTY
	945990400	DUAL CONTROL COMMON DECA (cont'd)	
	9033576	DECAL - FREE SPOOL LH WINCH	2
	9033577	DECAL - TENSIONER	2
	9033578	DECAL - FREE SPOOL RH WI	2
	9033579	DECAL - DUAL CONTROL UPP	1
	9033580	DECAL - DUAL CONTROL LOW	1
	9033581	DECAL - NEW VULCAN	2
	9033586	DECAL DUAL CONTROL UPPER	1
	9033587	DECAL DUAL CONTROL LOWER	1
	920950009	DECAL - WARNING FOR STIF	2
	0908209	KIT, MUDFLAP -VUL LWRK	
	920400005	MUD FLAP BRACE PLATE	2
	94320052	MUD FLAP 920-940 RUBBER	2
	0911148	VULCAN HD ADDL BOLT KIT	
	0400431	3/4-10 NYLOK HEX GR 8 ZP	2
	0400490	3/4 FLATWASHER GR 8	4
	9044454	3/4-10NC X 7 LG HHCS GRD	2
	915990300	V-50 DECALS	
	9033592	DECAL V50	2
	9033599	DECAL WARNING V-50 BOOM	2
	9033604	DECAL WARNING V-40, V-50	2
	9033608	DECAL WARNING V-50 WINCH	2
	0908196	BASIC UNIT ASSY, NV-50	1
	916030000	SUBFRAME ASSEMBLY V-50	1
	916040000	RECOVERY BOOM ASSY V-50	1
	916050000	STINGER ASSY - V-50	
	916030000	SUBFRAME ASSEMBLY V-50	
	0300052	FITTING, ELB 8MJ-10MB 90	1
	0300649	UNION, STRAIGHT 12MJ - 12MJ	2
	0300865	FITTING, CONNECTOR 8MJ-8MJ	4
	0301376	CONNECTOR 8 MJ - 10 MB	9
	0301522	FITTING, CONN. 6MJ-6MB	7
	0301577	1/4 OD PLASTIC AIRLINE, BLACK	220
	0301619	FITT, 6MJ-6MJ-6MB BRANCH TEE	2
	0301620	FITTING, HYD. 6MJ - 6MB90	1
	0301895	GREASE FITTING,STR 1/8 PTF	6
	0302083	16 MJ - 12 MB 90 ELBOW	2
	0302275	FITTING, CONN 8MJ-6MB W/STEP	5
	0302276	FITTING, ELB 90 DEG	1
	0302696	FITTING, CONNECTOR	2
	0302726	GREASE FITTING, 1/4-28 X 45DEG	16
	0302827	FITTING, CONNECTOR 10MJ-10MB	5
	0303193	BLACK SKUFF JACKET SJ16	31
	0303394	HOSE HYD, 46"	4
	0306700	MANIF. BLOCK DAMAN-AJ2700206S	1

## Section I - PARTS (cont'd)

### PARTS LIST NV-50 (cont'd)

ITEM	PART NUMBER	DESCRIPTION	QTY
	916030000	SUBFRAME ASSEMBLY V-50 (cont'd)	
	0306984	FITT, HYD ELB 12MB-12MJ90 W/HO	2
	0307003	FITT, HYD UNION 10MJ-10MJ	6
	0400066	1/4-20X3/4 HHCS GR5 ZP	6
	0400109	5/16-18X1 HHCS GR5 ZP	4
	0400126	3/8-16X1 HHCS GR5 ZP.	22
	0400128	3/8-16X1.25 FLAT HD SOC	12
	0400149	3/8-16 X 5/8 HHCS GR5 ZP	3
	0400176	1/2-13X1 HHCS GR5 ZP	14
	0400205	1/2-13X3 HHCS GR5 ZP	1
	0400306	7/8-9X3HHCS GR 8 GOLD	10
	0400382	5/16-18 NYLOK HEX NUT ZP	8
	0400387	3/8-24 HEX JAM NUT ZP(DE1206)	32
	0400392	3/8-16 NYLOK HEX NUT ZINC	40
	0400393	3/8-16 HEX NUT JAM ZP	16
	0400411	1/2-20 HEX NUT PLAIN	2
	0400437	7/8-9 NYLOK HEX GR 8 ZP	10
	0400452	1/4" HELICAL LCKWASHR ZP	16
	0400463	5/16" FLATWASHER ZP.	8
	0400480	3/8 FLATWASHER ZP	44
	0400482	3/8" HELICAL LCKWSHR - ZP	3
	0400491	1/2" HCL LKWSHR ZP	10
	0400492	1/2" FLATWASHER ZP	6
	0400508	5/8" HELICAL LCKWSHR ZP	2
	0400776	5/16-18 HEX NUT JAM NYLOK ZP	2
	0501527	PLATE-SERIAL DATA NV-50	1
	0719585	D-RING, TOWING 2	
	0723377	PLATE, DCV MTG. - VULCAN HD	1
	0907441	CONTROL HANDLE ASSY - SHORT	8
	0907442	CONTROL HANDLE ASSY - LONG	8
	0910757	HYD. TUBE KIT - VULCAN HD	1
	9010030	FITT, BRASS ELB 1/4T-1/8MPX	12
	9012515	1 1/16 -12 37 JIC PLUG	2
	9012525	9/16 -18 37 JIC MALE PLUG	4
	9015738	HOLDING VALVE MHB-015-L	2
	9016021	VALVE 6 SPOOL 346-9206-018	1
	9016022	VALVE 2 SPOOL 346-9202-018	1
	9018241	SINGLE TUBE CLAMP-1	2
	9018254	5/8 TUBE CLAMP SM2160-PP	12
	9018255	1/2 TUBE CLAMP FM2127-PP	12
	9018256	3/4 TUBE CLAMP SM3190-PP	4
	9041008	9041058 1/4-20 NC X 1 3/4 HHCS	2
	9041011	1/4 NC X 2 1/2 HHCS PL GR8	8
	9041108	5/16 NC X 1 3/4 HHCS PL GR8	4
	9041212	3/8 NC X 2 3/4 HHCS PL GR8	6
	9041402	1/2 NC X 1 1/4 HHCS PLT GR8	5
	9043371	6 MM LOCKNUT FOR 9043817	8
	9043713	M8 X 20 SOC SHOULDER BOL	8
	9043950	5/8 NC X 1 1/2 HHCS PL GR 8	2
	9048513	SPERICAL ROD END REBPJH-	16

## Section I - PARTS (cont'd)

### PARTS LIST NV-50 (cont'd)

ITEM	PART NUMBER	DESCRIPTION	QTY
	916030000	SUBFRAME ASSEMBLY V-50 (cont'd)	
	9053041	BEARING-SPHERICAL TORRIN	2
	9054150	1 1/2 INT. RET. RING (C	8
	915040002	THRUST WASHER	2
	915351500	LOWER PIN WELDMENT	2
	915352000	PIN WELD'T UPPER/LOWER L	2
	915735000	MAIN BOOM LIFT CYL 2525	2
	915770002	8AT2(8T90S-8T90S) HCL	2
	915770017	16R4(16MJ-16FJ) HCL	2
	915780000	HYD TANK ASSEY 3 POINT M	1
	916210000	SUBFRAME WELDMENT	1
	920900007	PIN, STIFFLEG CYL.-LOWER	2
	930020001	SPACER PLATE STIFFLEG SU	2
	930020002	STIFFLEG COVER PLATE LH	1
	930020003	STIFFLEG COVER PLATE RH	1
	930202500	PIVOT BLOCK WELDMENT	2
	930202504	TIE PLATE - BOOM PIVOT A	2
	930202505	WASHER PLATE - BOOM PIVO	4
	930350001	STIFF LEG PIN UPPER	2
	930400001	PIN - CONTROL HANDLE PIV	2
	930400009	BOTTOM PLATE - DCV DUAL	1
	930400012	RH CONTROL ROD (LONG) -	8
	930400013	LH CONTROL ROD (SHORT) -	8
	930402600	SHORT LUG WELD'T - DUAL	5
	930402700	LONG LUG WELD'T - DUAL C	3
	9401418	DIPSTICK WELDMENT HYDR TANK	1
	9402970	TOOLBOX MTG. PAD	17
	945000001	LOCK PLATE - SPHERICAL B	4
	945720000	STIFF LEG CYLINDER - 45/	2
	945770003	6AT2(6T90L-8MJ) 24 HYD	4
	946400600	CHANNEL WELDMENT	2
	946402500	COVER ASSEMBLY	1
	946770001	6AT2(6T90S-6T90S) HCL	2
	DE1381	1/2 WASHER SAE 17/32 ID	4
	GA0215	PIN-"D" RING	2
	GX263	FITTING, ELB 10MJ-10MB90	1
	946402500	COVER ASSEMBLY	
	0301851	TRIM-LOCK 150B2X1/8	5
	9041202	3/8-16 X 5/8 HHCS PL GR8	6
	9045057	0400482 3/8 BS LOCK WASHER	6
	946402501	TOP PANNEL - COVER	1
	946402600	REAR PANEL WELDMENT	1
	946402700	FRONT PANEL WELDMENT	1
	916040000	RECOVERY BOOM ASSY V-50	
	0300041	FITTING, CONNECTOR 8MJ-8MB	4
	0300865	FITTING, CONNECTOR 8MJ-8MJ	4
	0301522	FITTING, CONN. 6MJ-6MB	2
	0301522	FITTING, CONN. 6MJ-6MB	2

## Section I - PARTS (cont'd)

### PARTS LIST NV-50 (cont'd)

ITEM	PART NUMBER	DESCRIPTION	QTY
	916040000	RECOVERY BOOM ASSY V-50 (cont'd)	
	0301577	1/4 OD PLASTIC AIRLINE, BLACK	105
	0301696	FITTING, ELB 90 DEG 6MJ-6FJX90	2
	0301895	GREASE FITTING,STR 1/8 PTF	6
	0301949	3/8" OD AIRLINE,SYNFLEX HOSE	14
	0301959	SNAP RING-INTERNAL 1-1/2	2
	0302275	FITTING, CONN 8MJ-6MB W/STEP	2
	0303193	BLACK SKUFF JACKET SJ16	47
	0307082	CYLINDER, BOOM EXT.(W/SUN VALV	1
	0310797	1" WIRE LOOM	0.01
	0400059	1/4-20X5/8 HHCS GR5 ZP	2
	0400066	1/4-20X3/4 HHCS GR5 ZP	8
	0400114	5/16-18X3 HHCS GR5 ZP	1
	0400126	3/8-16X1 HHCS GR5 ZP.	2
	0400132	3/8-16X1.5 HHCS GR5 ZP	2
	0400382	5/16-18 NYLOK HEX NUT ZP	1
	0400392	3/8-16 NYLOK HEX NUT ZINC	2
	0400424	5/8-18 HEX NUT ZP	2
	0400426	5/8-11 GR 8 NYLOK NUT YZ PLT	2
	0400452	1/4" HELICAL LCKWASHR ZP	13
	0400482	3/8" HELICAL LCKWSHR - ZP	2
	0400491	1/2" HCL LKWSHR ZP	3
	0400492	1/2" FLATWASHER ZP	4
	0719585	D-RING, TOWING	1
	0722325	PIN	1
	0724499	PIN - UPPER JACK LEG CYL	1
	3012-793001	PLATE - LUBE MTG .	1
	9010520	FITTING-ELBOW 1/4T-1/4NPT	2
	9012549	CONNECTOR-MALE 3/8TUBEX1	1
	9012552	BULKHEAD ADAPTER 1/8M-1/8F NPT	1
	9012553	BRASS ELBOW LEGRIS 3109-	1
	9012575	LEGRIS- 3108-56-11 1/8NP	3
	9012584	ELBOW-1/4NPT X 3/8TUBE 9	1
	9018255	1/2 TUBE CLAMP FM2127-PP	12
	9041058	1/4 X 1 3/4 HHCS GR8	4
	9041402	1/2 NC X 1 1/4 HHCS PLT GR8	2
	9041403	1/2 NC X 1 1/2 HHCS PL GR8	1
	9043605	5/8-18 X 2 SOC HD CAP	2
	9043975	H.H.C.SCREW 5/8N.C.X3 1/	2
	9044434	3/8-16X1 NC FLAT SOCKET HD CAP	2
	9048800	5/8 WELDLESS CHAIN LINK	2
	9056150	RETAINING RING - 1 1/2	2
	9056150	RETAINING RING - 1 1/2	2
	915030004	WEAR PAD (UPPER)	1
	915040001	PAD RETAINING PLATE	1
	915040002	THRUST WASHER	2
	915040400	SPIDER CLAMP WLDM'T, TOP	1
	915040501	CLAMP PLATE	2
	915042000	SHEAVE ASSY-SINGLE	2
	915290506	BRZ BUSHING -2.25 ID X 2.75 OD	2

## Section I - PARTS (cont'd)

### PARTS LIST NV-50 (cont'd)

ITEM	PART NUMBER	DESCRIPTION	QTY
	916040000	RECOVERY BOOM ASSY V-50 (cont'd)	
	915350500	UPPER PIN WELDMENT	1
	915352000	PIN WELD'T UPPER/LOWER L	2
	915740000	TILT CYLINDER	1
	915770008	6AT2(6T90S-8MJ) HCL 42	2
	916040003	STOP BLOCK STINGER	2
	916040004	WEAR PAD - LOWER	1
	916041000	DP WINCH MTG. - 25K BOOM ASSY	1
	916250019	CHANNEL - ROPE GUIDE	1
	916280000	INNER BOOM WELDMENT	1
	916291500	L.H. LOWER GUIDE PAD WELDMENT	1
	916298500	R.H. LOWER GUIDE PAD WELDMENT	1
	916350001	PIN, BOOM EXT CYL 1.5 X 9 5/8	1
	916760001	HYD. TUBE ASSY 54 7/16"	4
	920110015	ROPE CATCHER	1
	930290002	COVER PLATE VERT BOOM MA	2
	945030007	CABLE TIE BACK SPRING-1	2
	945040001	SPACER, MAIN BOOM PIVOT	2
	945350001	PIVOT PIN, MAIN BOOM	1
	945770007	8AT2(10MJ-8FJ) HCL 48	2
	946760019	TUBE, HYD 1/2X67 1/4 UNDER-FRO	4
	946770003	HOSE ASSEMBLY - 8MJ-8MJ X 45	4
	946770006	HOSE ASSEMBLY - 62	4
	946770007	HOSE ASSEMBLY - 79	2
	946770008	HOSE ASSEMBLY - 116	1
	946770009	HOSE ASSEMBLY - 104	1
	915042000	SHEAVE ASSY-SINGLE	
	0301895	GREASE FITTING,STR 1/8 PTF	1
	0400140	3/8-16X4 HHCS GR5 ZP	1
	0400392	3/8-16 NYLOK HEX NUT ZINC	1
	9055400	4" EXTERNAL RET.RING	1
	920100001	SPACER, SHEAVE ASSY	1
	920101000	SHEAVE PIVOT WELDMENT	1
	9401002	SMALL SHEAVE	1
	9401004	PIN, SMALL SHEAVE	1
	9401007	BUSHING SAE 660	1
	9401070	ROPE GUIDE WELDMENT SML	1
	916041000	DP WINCH MTG. - 25K BOOM ASSY	
	9048248	WINCH DP 2-SPD 25K NARROW DRUM	2
	916040001	ANGLE - FRONT MTG. WINCH	4
	916040002	ANGLE - REAR MTG. WINCH	4
	916250000	V-50 OUTER BOOM WELDMENT	1
	916050000	STINGER ASSY - V-50	
	0300113	GREASE FITTING,1/4-28 STRAIGHT	2
	0301895	GREASE FITTING,STR 1/8 PTF	8
	0303193	BLACK SKUFF JACKET SJ16	16
	0400134	3/8-24X3/4 FLTHDSKTSCR	4

## Section I - PARTS (cont'd)

### PARTS LIST NV-50 (cont'd)

ITEM	PART NUMBER	DESCRIPTION	QTY
	916050000	STINGER ASSY - V-50 (cont'd)	
	0400176	1/2-13X1 HHCS GR5 ZP	1
	0400177	1/2-13X1.25 HHCS GR5 ZP	1
	0400248	5/8-11X1HHCS GR 8 ZP	1
	0400491	1/2" HCL LKWSHR ZP	2
	0400492	1/2" FLATWASHER ZP	2
	0400505	5/8" SAE WASHER	2
	0400508	5/8" HELICAL LCKWSHR ZP	10
	0400594	1/4-20X5/8 SOC FLT HD	8
	9012510	CONNECTOR 6SAE MALE-3/8	2
	9040602	5/8NC X 1 1/4 HHCS GR 8	1
	9044170	1-8X1-1/2 SOC SET SCREW	1
	9044471	5/8-18 X 1 1/4 HHCS PL GR8	4
	9044478	5/8 -18 NF X 1 HHCS GR8	4
	9046315	3/16 DIAX1 3/4LG ROLL PI	2
	9046563	HITCH PIN 7/8 X4 3/8 NAPA	1
	9056137	RETAINING RING - 1 3/8	2
	915150002	STOP PAD (FOLDING BOOM)	4
	915150003	SPACER 1ST STAGE STINGER	1
	915310006	BOTTOM PAD HOLDER	1
	915320013	BOTTOM PAD HOLDER	1
	915350006	PIN (STINGER EXT.)	1
	915351000	SHAFT WELDMENT	1
	915351500	LOWER PIN WELDMENT	1
	915352500	FRONT MTG.PIN WELDMENT	1
	915353000	SHAFT WELDMENT	1
	915670000	LIFT BAR ASSY - V-50	1
	915760022	HYD.TUBE 3/8 STINGER EX	1
	915760023	HYD.TUBE 3/8 STINGER EX	1
	916300000	PIVOT FOOT WELDMENT	1
	916310000	FOLDING BOOM WELDMENT	1
	916320000	1ST. STAGE STINGER WELDMENT	1
	916330000	2ND STAGE STINGER WELDMENT	1
	916720000	CYL, 3.5 X 59 PIGGYBACK	1
	916770001	HOSE- HYD. 3/8 - 105" 8MJ-6MFA	2
	930150003	TOP PADS	4
	930150004	BOTTOM PADS	4
	930150011	PIN (CYL STIFFENER PLATE	1
	930190006	WELDNUT-PIN MTG TUBE	1
	915670000	LIFT BAR ASSY - V-50	1
	0301895	GREASE FITTING,STR 1/8 PTF	3
	9043800	1/2 FLAT SOCKET SCREW 3/4 LG	6
	9044151	3/4-10 X 3/4 SOCKET HEA	4
	915150004	LUG PLATE - CROSS'R ASSY	1
	915150005	THRUST WASHER - V-40,	1
	945510006	BEARING - ALUM. BRONZE	2
	945510007	THRUST WASHER - V-60,	1
	946350005	PIVOT PIN - 5 CROSSBAR	1
	946570500	5" CROSSBAR WELDMENT	1

**Section I - PARTS (cont'd)**

**PARTS LIST NV-50 (cont'd)**

ITEM	PART NUMBER	DESCRIPTION	QTY
	915670000	LIFT BAR ASSY - V-50 (cont'd)	
	946571000	TOP COVER PLATE WELDMENT	1
	946571100	BOTTOM COVER PLATE WELDMENT	1











Miller Industries Towing Equipment Inc.  
8503 Hilltop Drive • Ooltewah, Tennessee 37363 • (423) 238-4171  
[www.millerind.com](http://www.millerind.com)