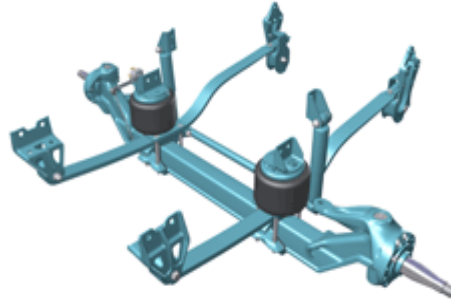




## Truck Suspension Systems Literature



# TECHNICAL PROCEDURE

**SUBJECT:** AIRTEK® Service Instructions  
Freightliner, Western Star, and  
Sterling Vehicles

**LIT NO:** 17730-243

**DATE:** June 2005

**REVISION:** C

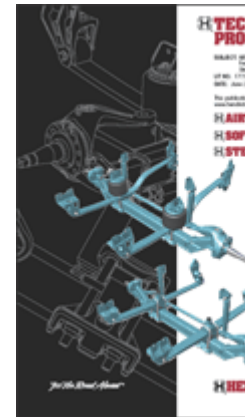
search



The information in this publication contains parts lists, safety information, product specifications, features, proper maintenance and rebuild instructions for the AIRTEK and SOFTEK Suspensions and the STEERTEK axle.

A Technical Procedure Quiz is included in the last section of this publication.

To view an electronic version of the manual, select a specific area from the Table of Contents below. You will need Adobe Acrobat to view the file. For a free download of Adobe Acrobat, [click here](#).



## Table of Contents

<b>Section 1</b> Table of Contents (53 KB)	<b>Section 8</b> Special Tools (129 KB)
<b>Section 1 &amp; 2</b> Introduction and Product Description (567 KB)	<b>Section 9 (part 1)</b> Component Repla (983 KB)
<b>Section 3</b> Important Safety Notice (273 KB)	<b>Section 9 (part 2)</b> (1.34 MB)
<b>Section 4</b> Parts List (601KB) AIRTEK® SOFTEK®	<b>Section 10</b> AIRTEK Plumbing Diagrams (159 KB)
<b>Section 5</b> Towing Procedure (227 KB)	<b>Appendix</b> (344 KB) A: Trouble Shooting Matrix B: Torque Specifications C: Front Wheel Alignment Specifications D: Important References
<b>Section 6</b> Preventive Maintenance (587 KB)	<b>Technical Procedure Publication Quiz</b> (40 KB)
<b>Section 7</b> Alignment and Adjustments (862 KB)	